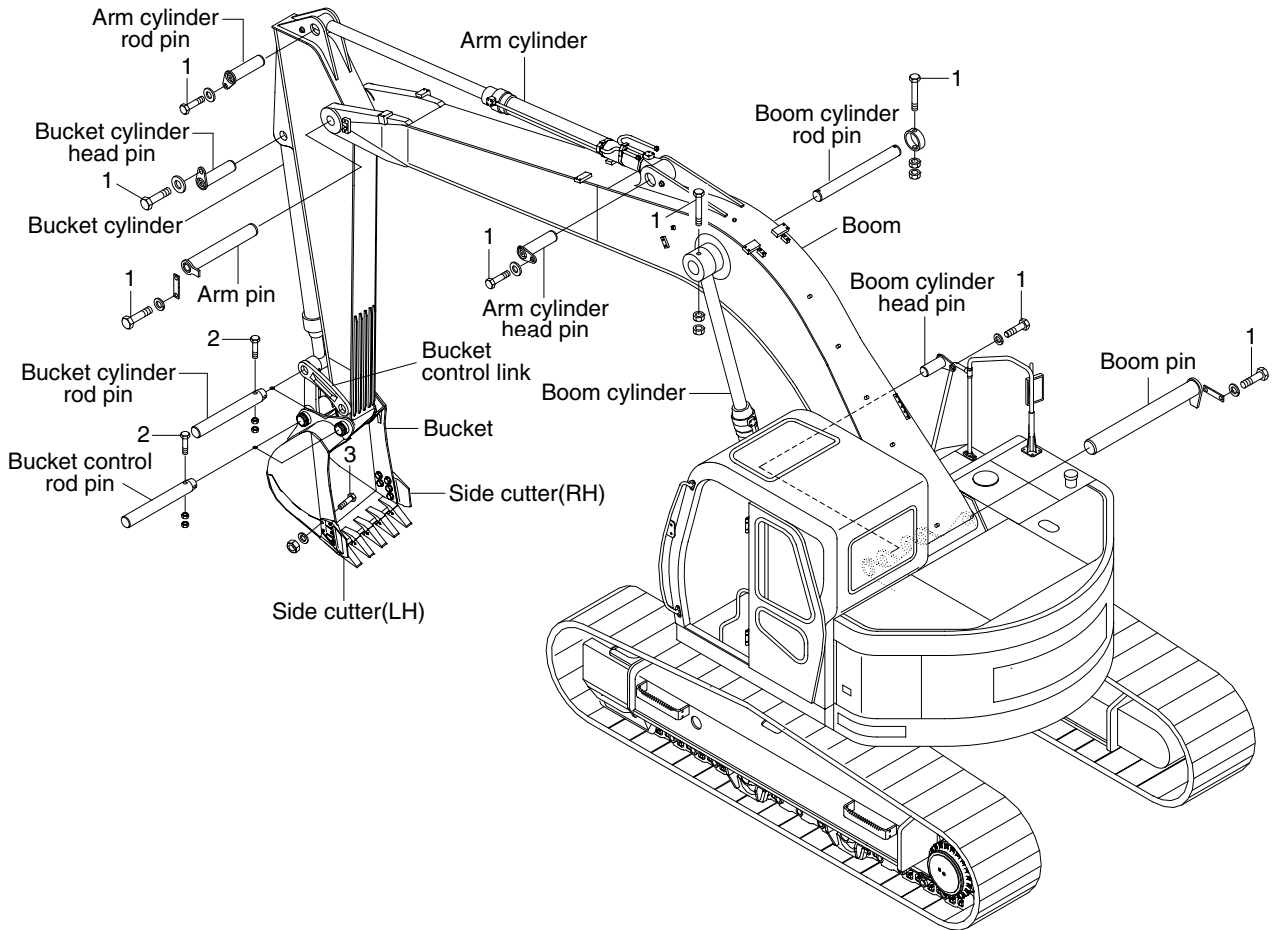


GROUP 7 WORK EQUIPMENT



235Z99CM14

· Tightening torque

Item	Size	kgf · m	lbf · ft
1	M16 × 2.0	29.7 ± 4.5	215 ± 32.5
2	M20 × 2.5	57.9 ± 8.7	419 ± 62.9
3	M22 × 2.5	81.9 ± 16.1	592 ± 116