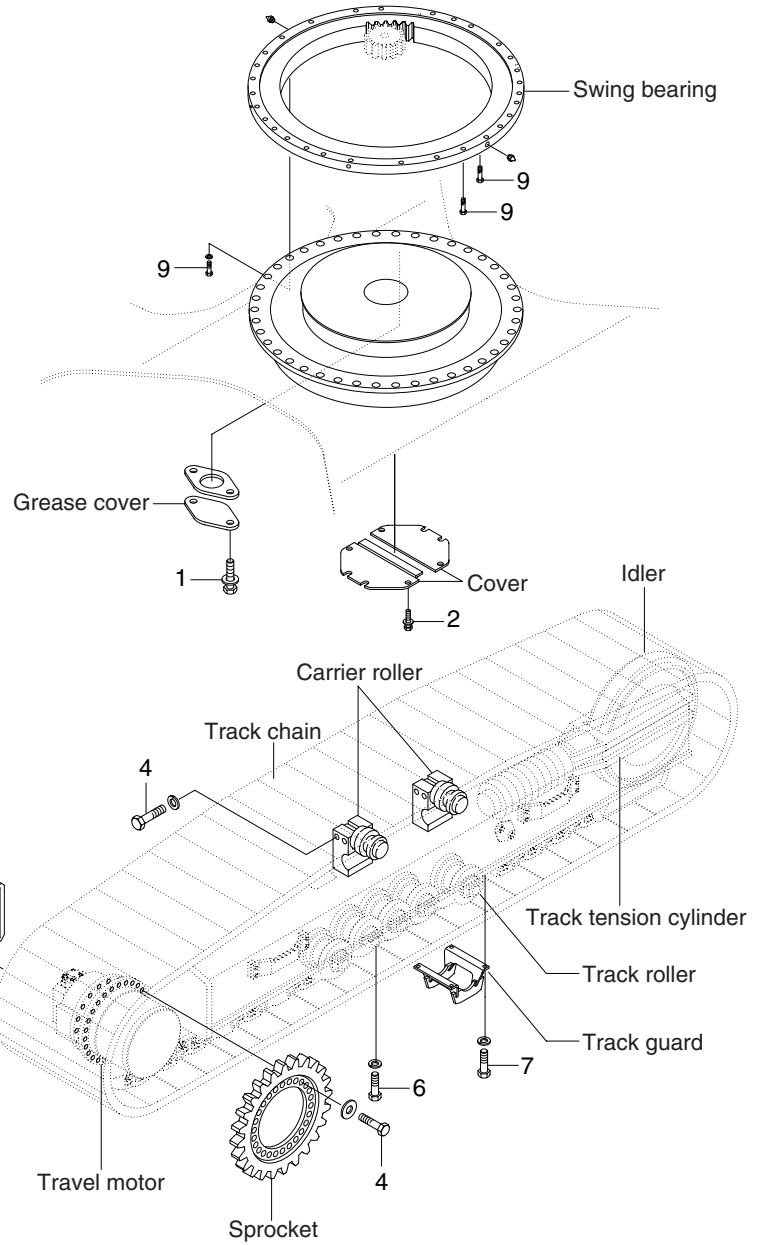
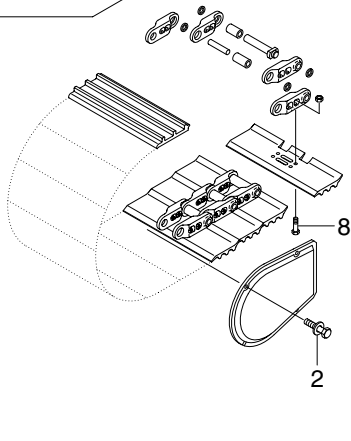
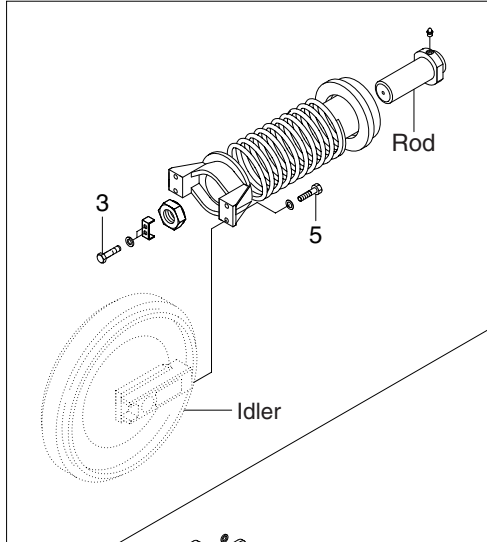


GROUP 5 UNDERCARRIAGE

UNDERCARRIAGE MOUNTING

ADJUST COMPONENT



2359A9CM08

· Tightening torque

Item	Size	kgf · m	lbf · ft
1	M10 × 1.5	6.9 ± 1.4	49.9 ± 10.1
2	M12 × 1.75	12.8 ± 3.0	92.6 ± 21.7
3	M12 × 1.25	15 ± 0.5	108 ± 3.6
4	M16 × 2.0	29.7 ± 3.0	215 ± 21.7
5	M16 × 2.0	29.7 ± 4.5	215 ± 32.5

Item	Size	kgf · m	lbf · ft
6	M20 × 2.5	57.9 ± 6.0	419 ± 43.4
7	M20 × 2.5	57.9 ± 8.7	419 ± 62.9
8	M20 × 1.5	78 ± 8.0	564 ± 57.9
9	M24 × 3.0	100 ± 10	723 ± 72.3