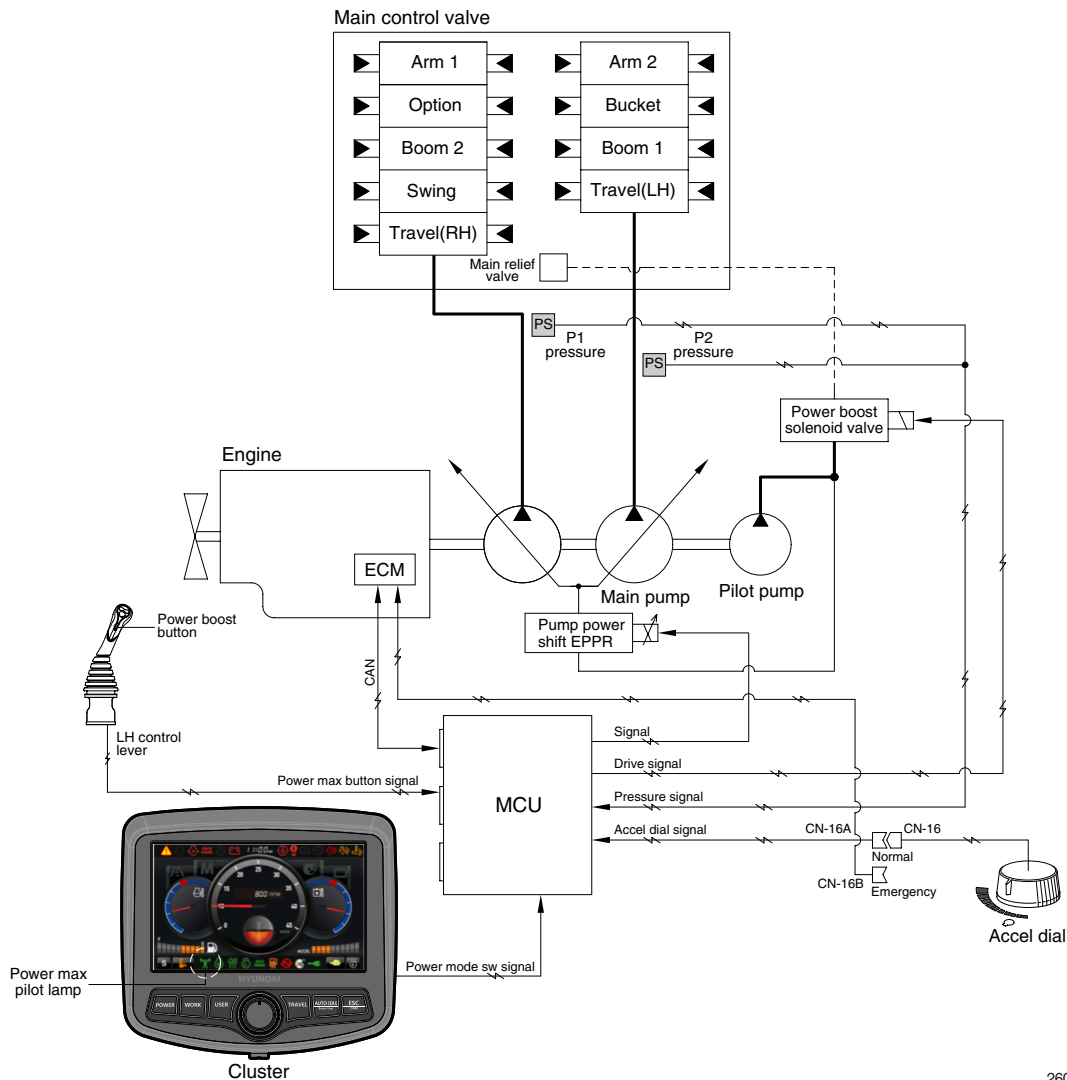


GROUP 4 POWER BOOST SYSTEM



2609A5MS06

- When the power boost switch on the left control lever knob is pushed ON, the power mode is set P mode and maximum digging power is increased by 10 %.
- When the power boost function is activated, the power boost solenoid valve pilot pressure raises the set pressure of the main relief valve to increase the digging power.

| Description | Condition | Function |
|-------------|--|--|
| Activated | Power boost switch : ON Accel dial : over 8 | - Power mode : P - Accel dial power : 9 - Power boost solenoid : ON - Power boost pilot lamp : ON - Operating time : max 8 seconds |
| Canceled | Power boost switch : OFF | - Pre-set power mode - Power boost solenoid : OFF - Power boost pilot lamp : OFF |

- ※ When the auto power boost is set to Enable and power mode is set to P mode on the cluster, the digging power is automatically increased as working conditions by the MCU. It is operated max 8 seconds.