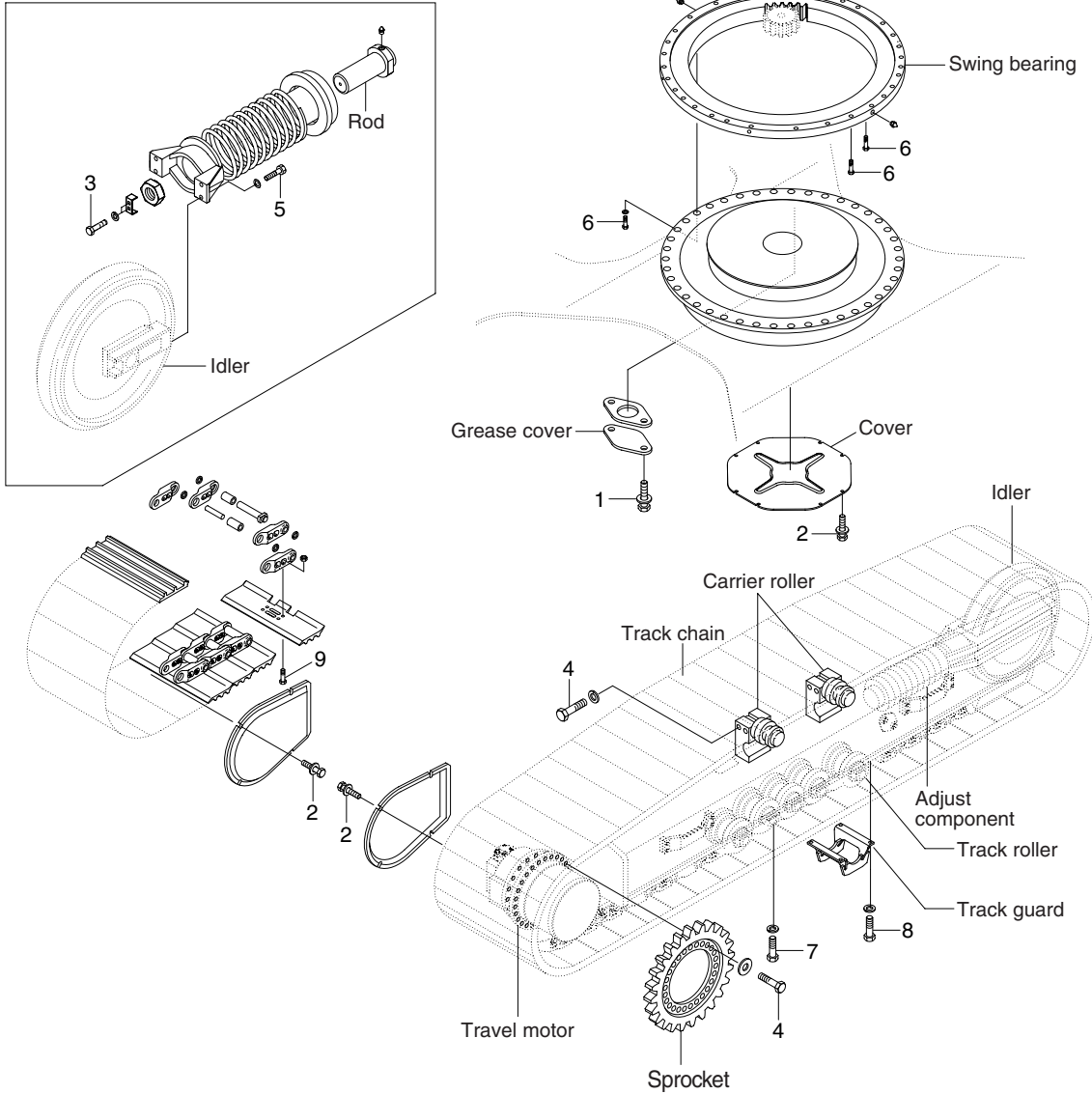


GROUP 5 UNDERCARRIAGE

UNDERCARRIAGE MOUNTING

ADJUST COMPONENT



2209A9CM08

• Tightening torque

Item	Size	kgf · m	lbf · ft
1	M10×1.5	6.9±1.4	49.9±10.1
2	M12×1.75	12.8±3.0	92.6±21.7
3	M12×1.25	15±0.5	108±3.6
4	M16×2.0	29.7±3.0	215±21.7
5	M16×2.0	29.7±4.5	215±32.5

Item	Size	kgf · m	lbf · ft
6	M20×2.5	57.9±5.8	419±42
7	M20×2.5	57.9±6.0	419±46.3
8	M20×2.5	57.9±8.7	419±62.9
9	M20×2.5	78±8.0	564±57.9
-	-	-	-