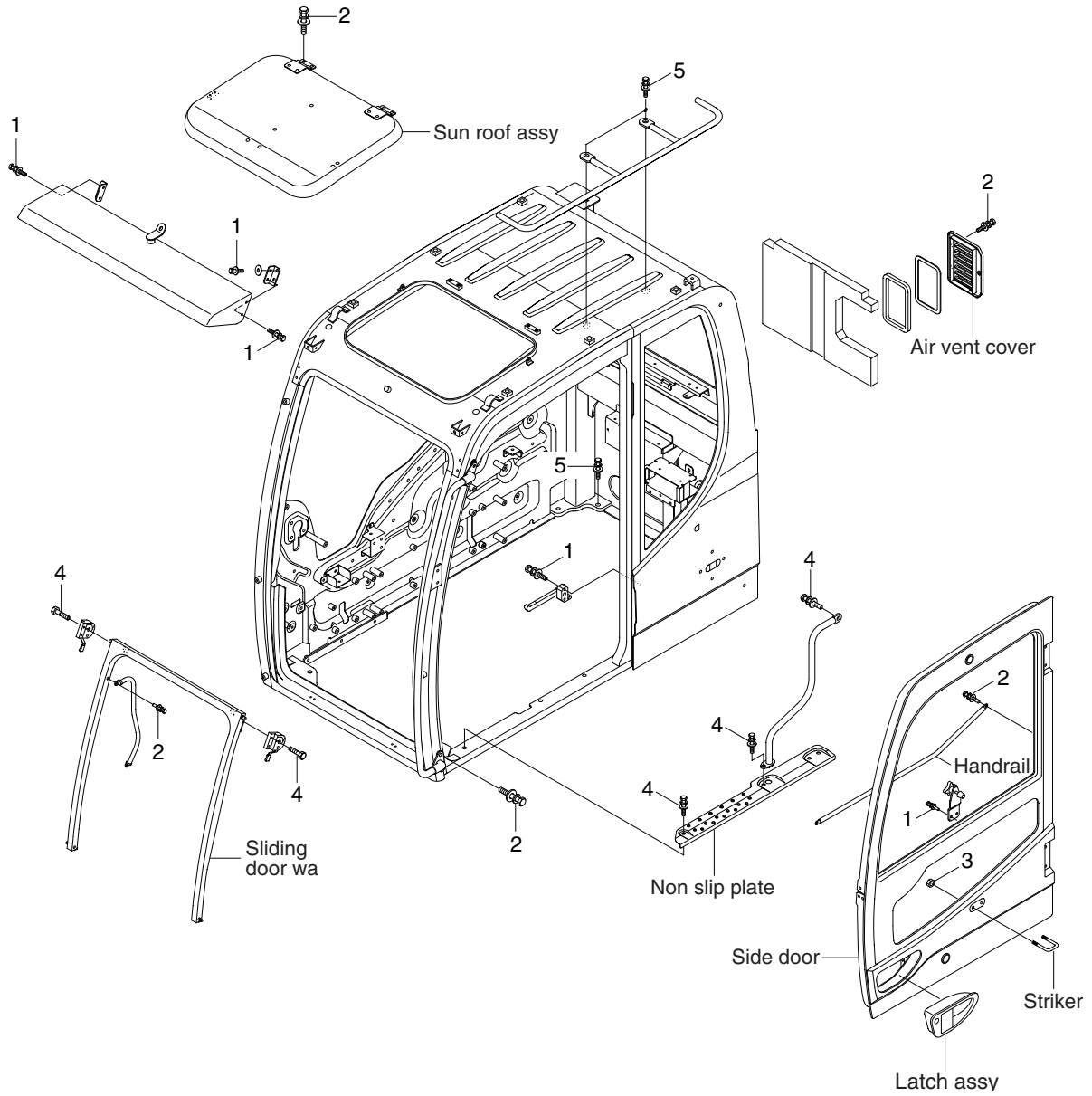


GROUP 6 STRUCTURE

CAB AND ACCESSORIES MOUNTING



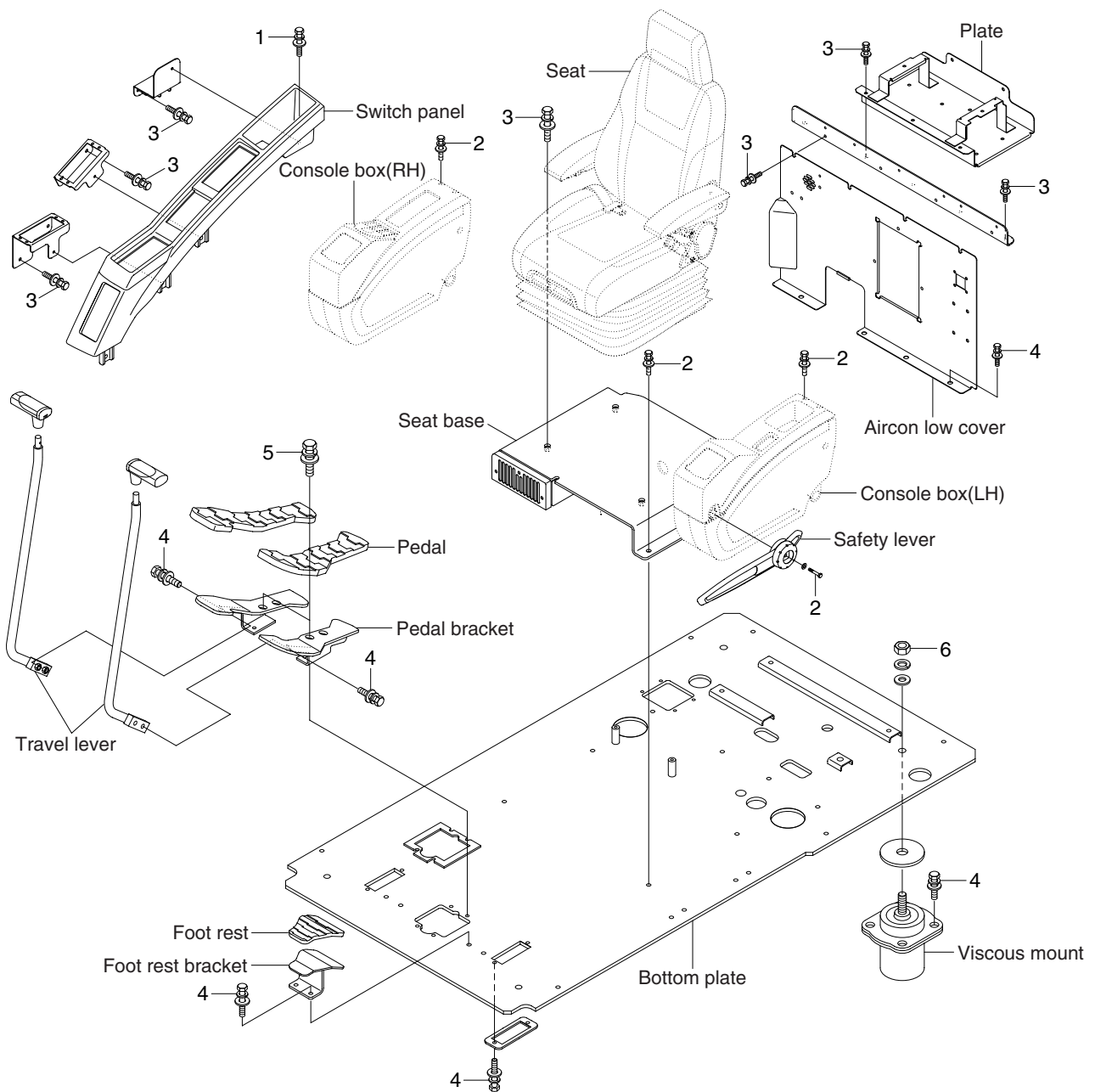
2209A9CM10

· Tightening torque

Item	Size	kgf · m	lbf · ft
1	M 6×1.0	1.44±0.3	10.4±2.2
2	M 8×1.25	2.5±0.5	18.1±3.6
3	M10×1.5	4.7±0.9	34±6.5

Item	Size	kgf · m	lbf · ft
4	M10×1.5	6.9±1.4	49.9±10.1
5	M12×1.75	12.8±3.0	92.6±21.7
-	-	-	-

CAB INTERIOR MOUNTING



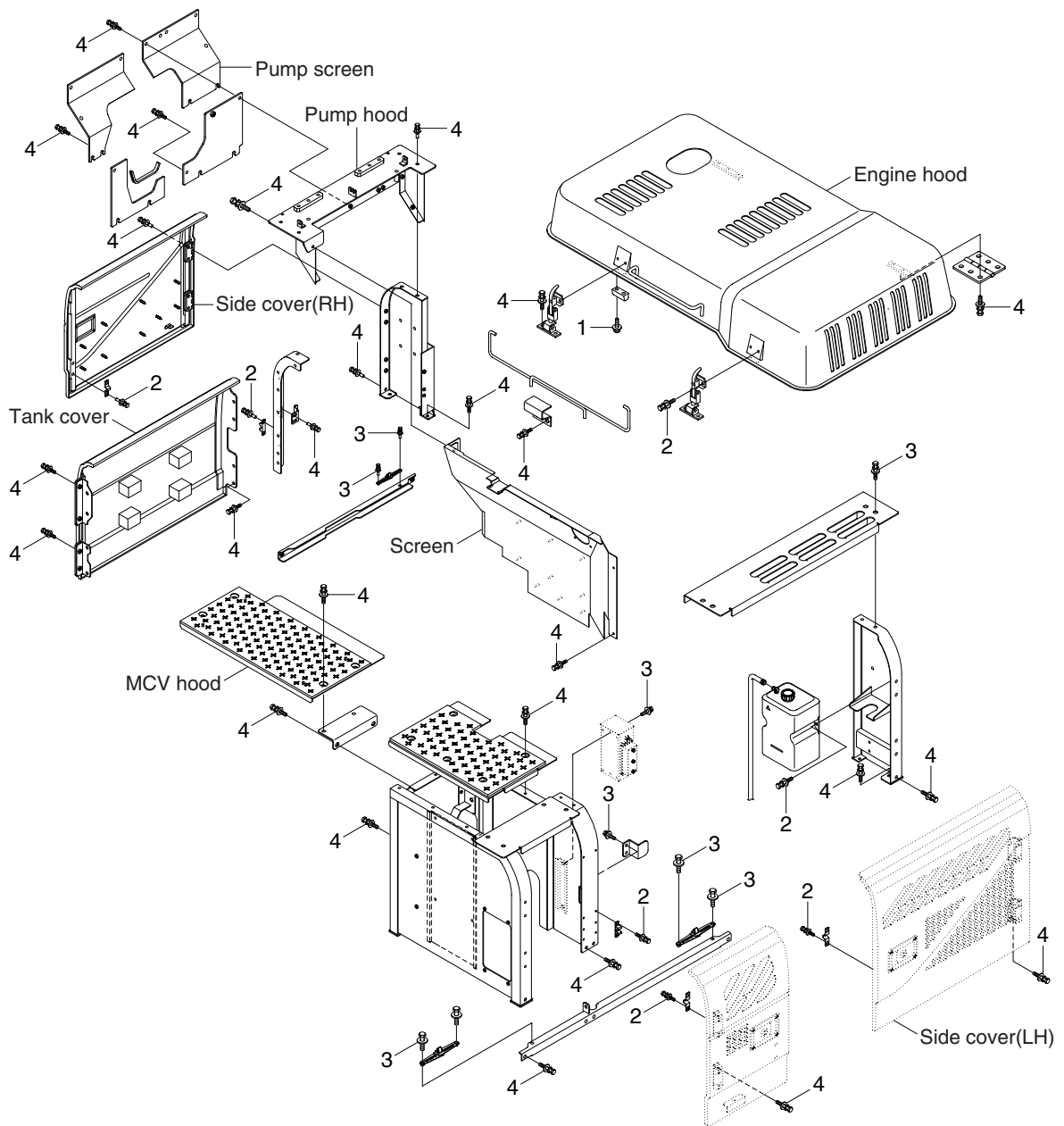
2209A9CM11

· Tightening torque

Item	Size	kgf · m	lbf · ft
1	M 6×1.0	0.49±0.1	3.5±0.7
2	M 6×1.0	1.05±0.2	7.6±1.4
3	M 8×1.25	4.05±0.8	29.3±5.8

Item	Size	kgf · m	lbf · ft
4	M10×1.5	6.9±1.4	49.9±10.1
5	M10×1.5	8.27±1.7	59.8±12.3
6	M16×2.0	29.7±4.5	215±32.5

COWLING MOUNTING



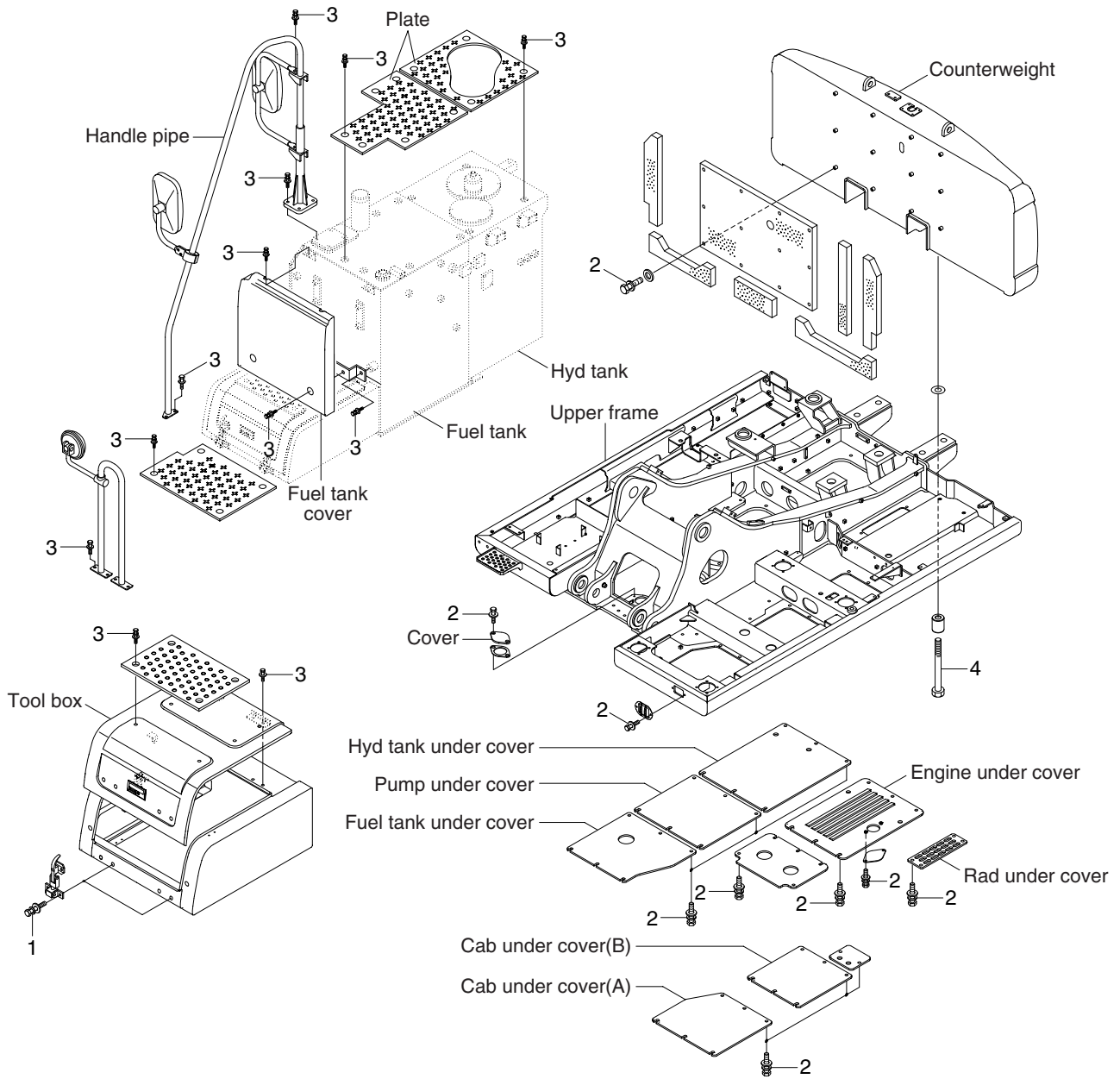
220N9A9CM12

· Tightening torque

Item	Size	kgf · m	lbf · ft
1	M 6×1.0	1.05±0.2	7.6±1.4
2	M 8×1.25	2.5±0.5	18.1±3.6

Item	Size	kgf · m	lbf · ft
3	M10×1.5	6.9±1.4	49.9±10.1
4	M12×1.75	12.8±3.0	92.6±21.7

COUNTERWEIGHT AND COVERS MOUNTING



220N9A9CM13

· Tightening torque

Item	Size	kgf · m	lbf · ft
1	M8 × 1.25	2.5 ± 0.5	18.1 ± 3.6
2	M10 × 1.5	6.9 ± 1.4	49.9 ± 10.1

Item	Size	kgf · m	lbf · ft
3	M12 × 1.75	12.8 ± 3.0	92.6 ± 21.7
4	M36 × 3.0	340 ± 10	2460 ± 72.3