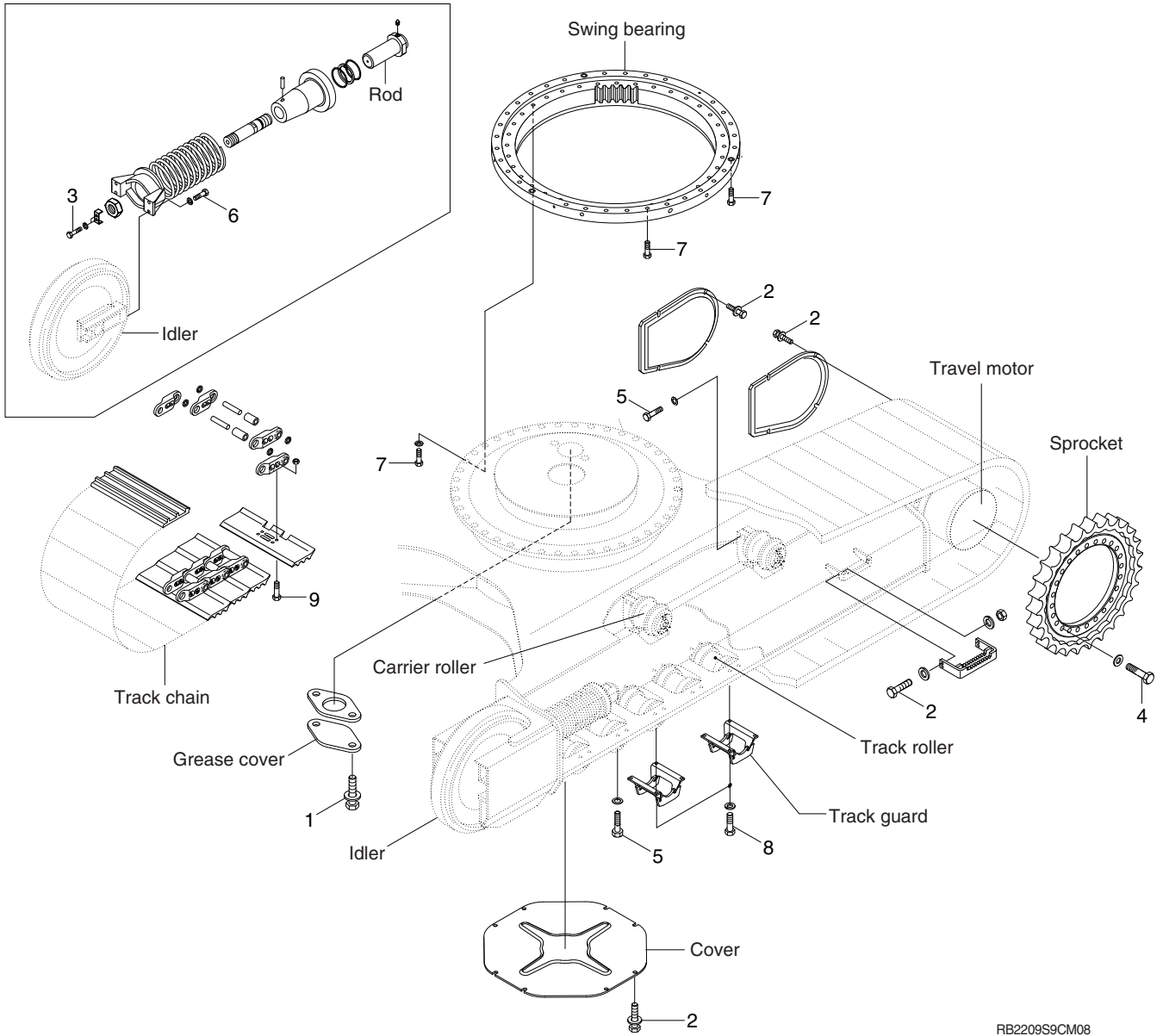


GROUP 5 UNDERCARRIAGE

1. UNDERCARRIAGE MOUNTING

ADJUST COMPONENT



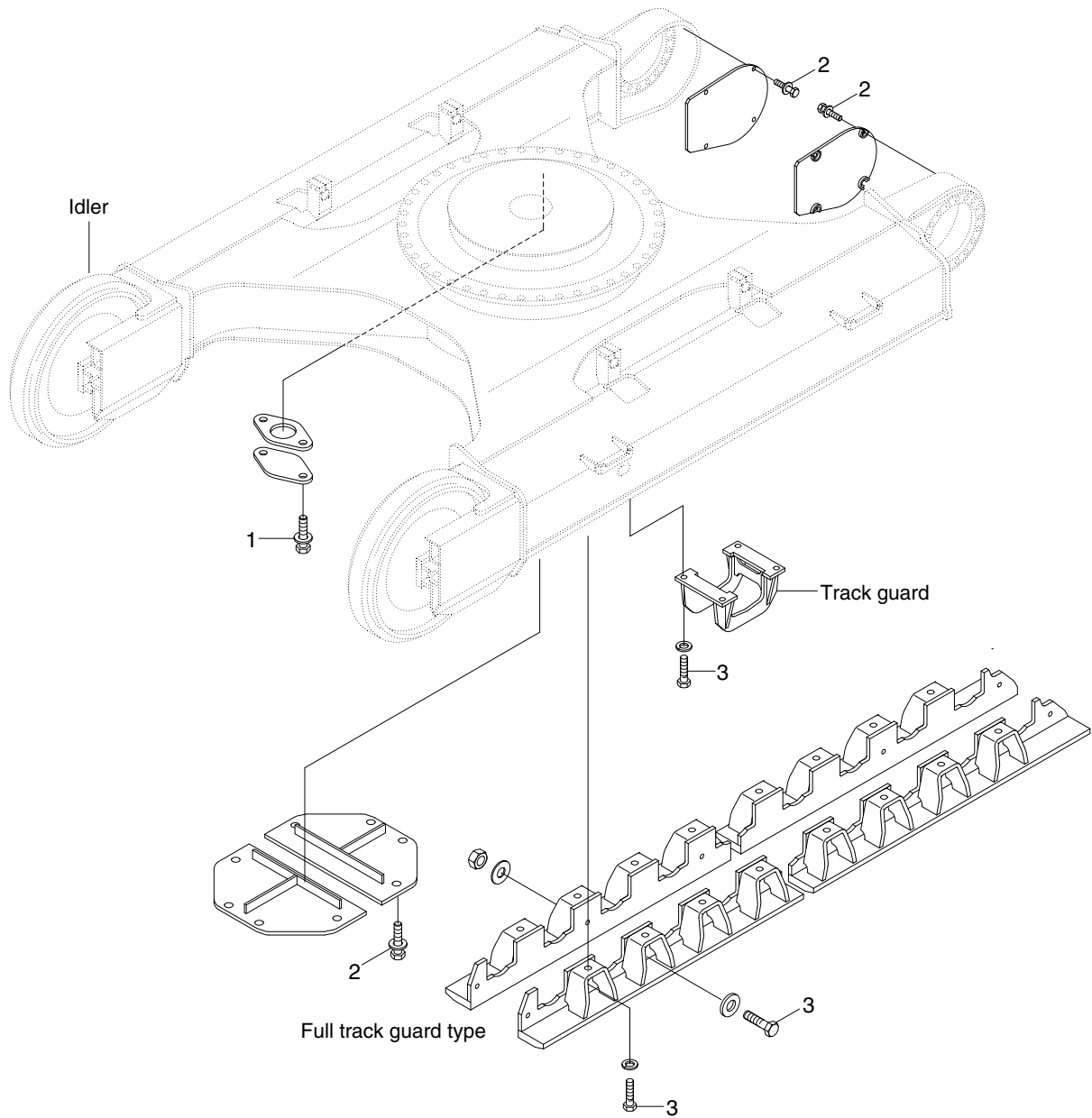
RB2209S9CM08

· Tightening torque

Item	Size	kgf · m	lbf · ft
1	M10×1.5	6.9±1.4	49.9±10.1
2	M12×1.75	12.8±3.0	92.6±21.7
3	M12×1.25	13.3±2.7	96.2±19.5
4	M16×2.0	26±3.0	188±21.7

Item	Size	kgf · m	lbf · ft
6	M16×2.0	29.7±3.0	215±21.7
7	M20×2.5	57.9±6.0	419±43.4
8	M20×2.5	57.9±8.7	419±62.9
9	M20×2.5	78±8.0	564±57.9

2. UNDERCARRIAGE MOUNTING (HIGH WALKER)



RB2209S9CM09

· Tightening torque

Item	Size	kgf · m	lbf · ft
1	M10 × 1.5	6.9 ± 1.4	49.9 ± 10.1
2	M12 × 1.75	12.8 ± 3.0	92.6 ± 21.7
3	M24 × 3.0	100 ± 15	723 ± 109