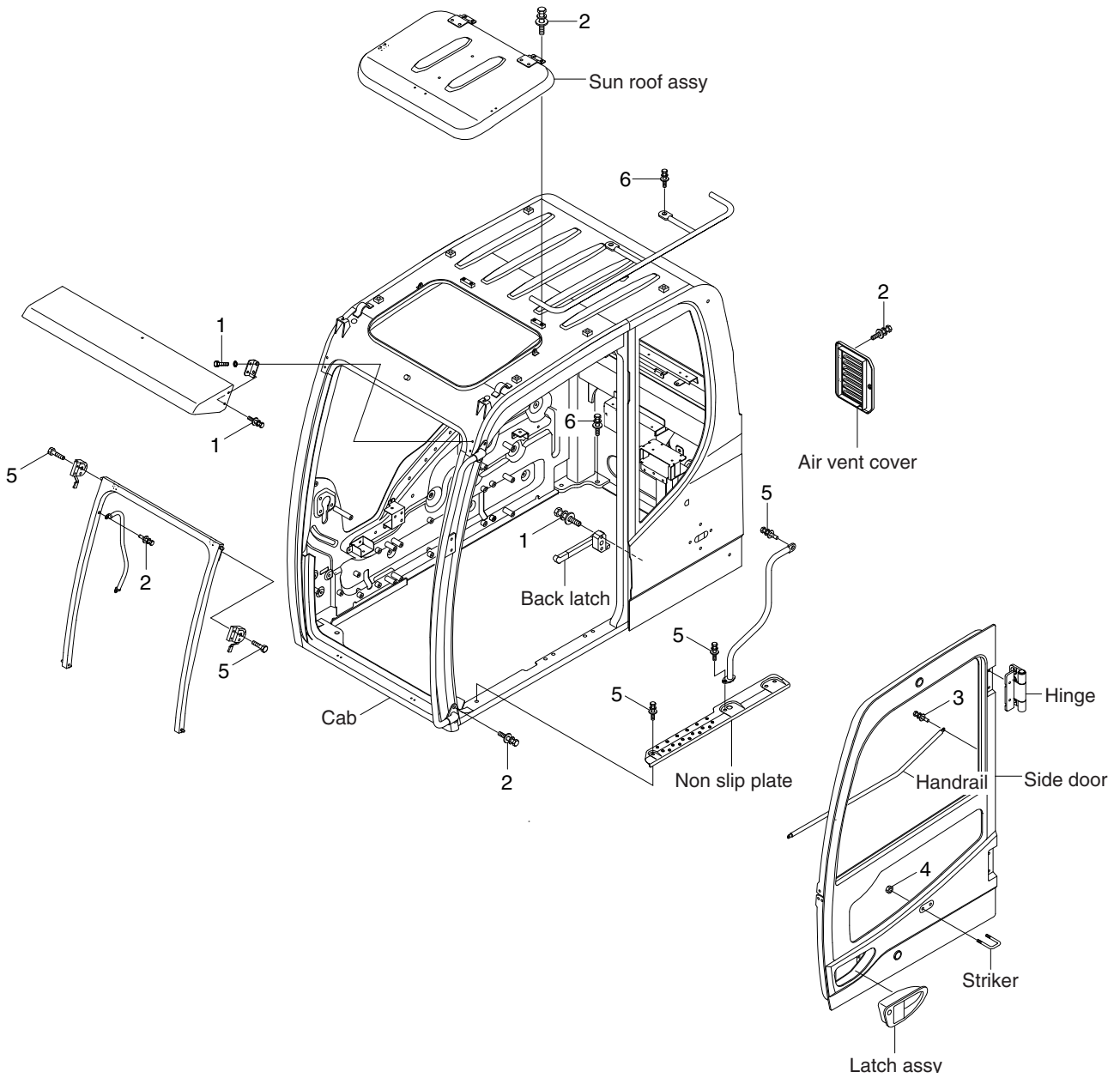


# GROUP 6 STRUCTURE

## 1. CAB AND ACCESSORIES MOUNTING



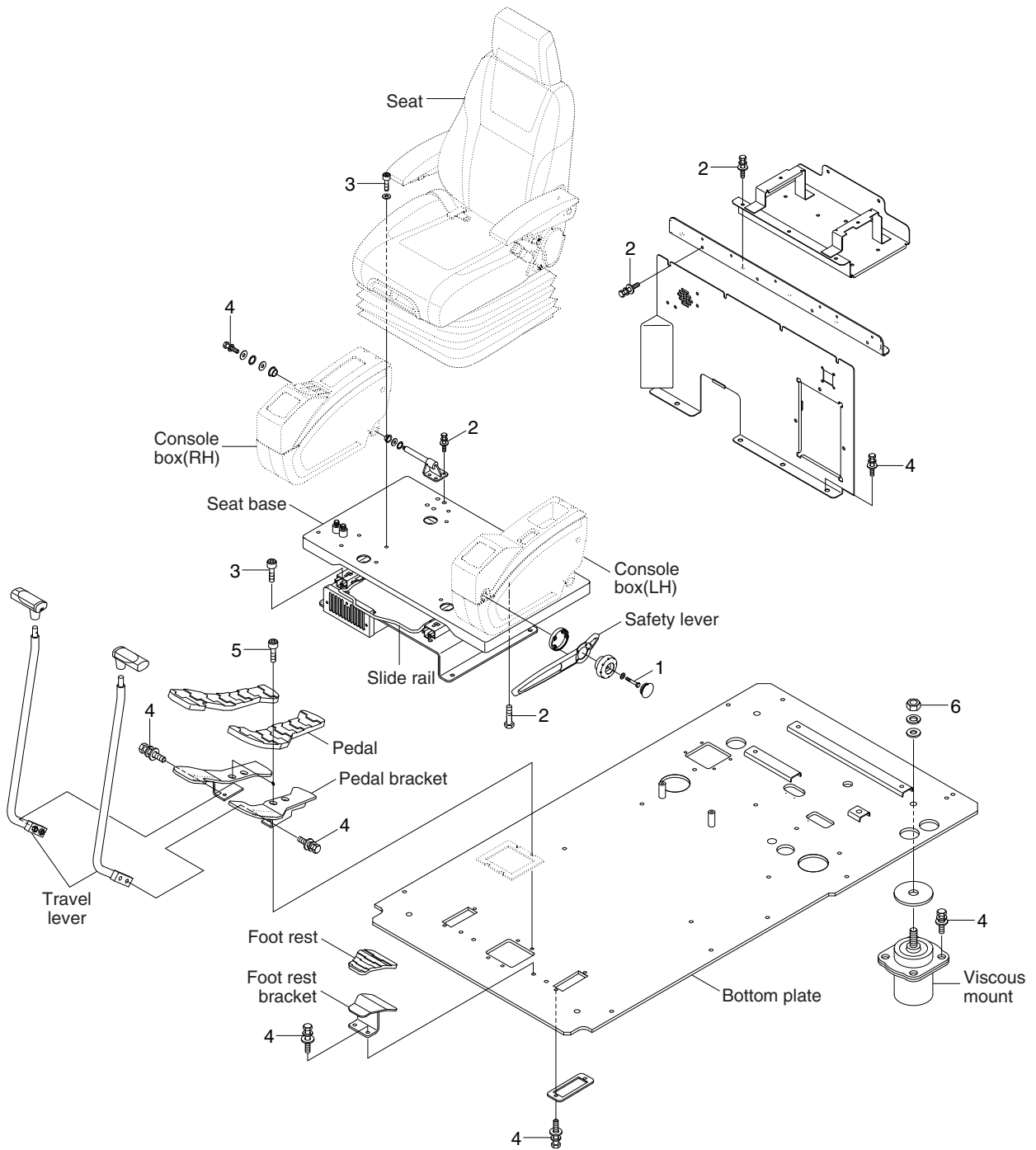
RB2209S9CM10

### · Tightening torque

Item	Size	kgf · m	lbf · ft
1	M 6 × 1.0	1.05 ± 0.2	7.6 ± 1.45
2	M 8 × 1.25	2.5 ± 0.5	18.1 ± 3.6
3	M 8 × 1.25	3.43 ± 0.7	24.8 ± 5.1

Item	Size	kgf · m	lbf · ft
4	M 10 × 1.5	4.7 ± 0.9	34 ± 6.5
5	M 10 × 1.5	6.9 ± 1.4	49.9 ± 10.1
6	M 12 × 1.75	12.8 ± 3.0	92.6 ± 21.7

## 2. CAB INTERIOR MOUNTING



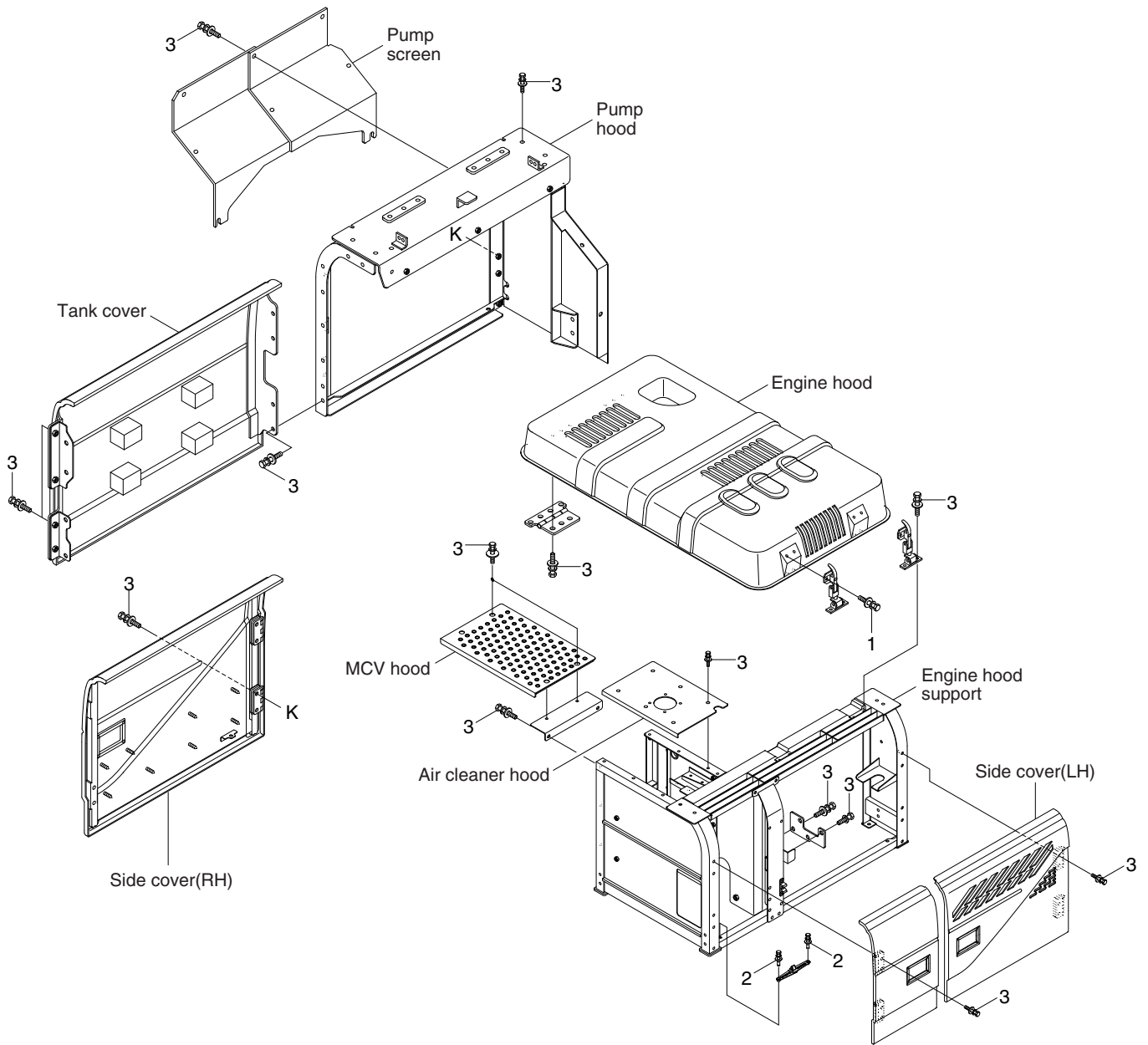
RB2209S9CM11

### · Tightening torque

Item	Size	kgf · m	lbf · ft
1	M 6×1.0	1.05±0.2	7.6±1.45
2	M 8×1.25	2.5±0.5	18.1±3.6
3	M 8×1.25	4.05±0.8	29.3±5.8

Item	Size	kgf · m	lbf · ft
4	M10×1.5	6.9±1.4	49.9±10.1
5	M10×1.5	8.27±1.7	59.8±12.3
6	M16×2.0	29.7±4.5	215±32.5

### 3. COWLING MOUNTING

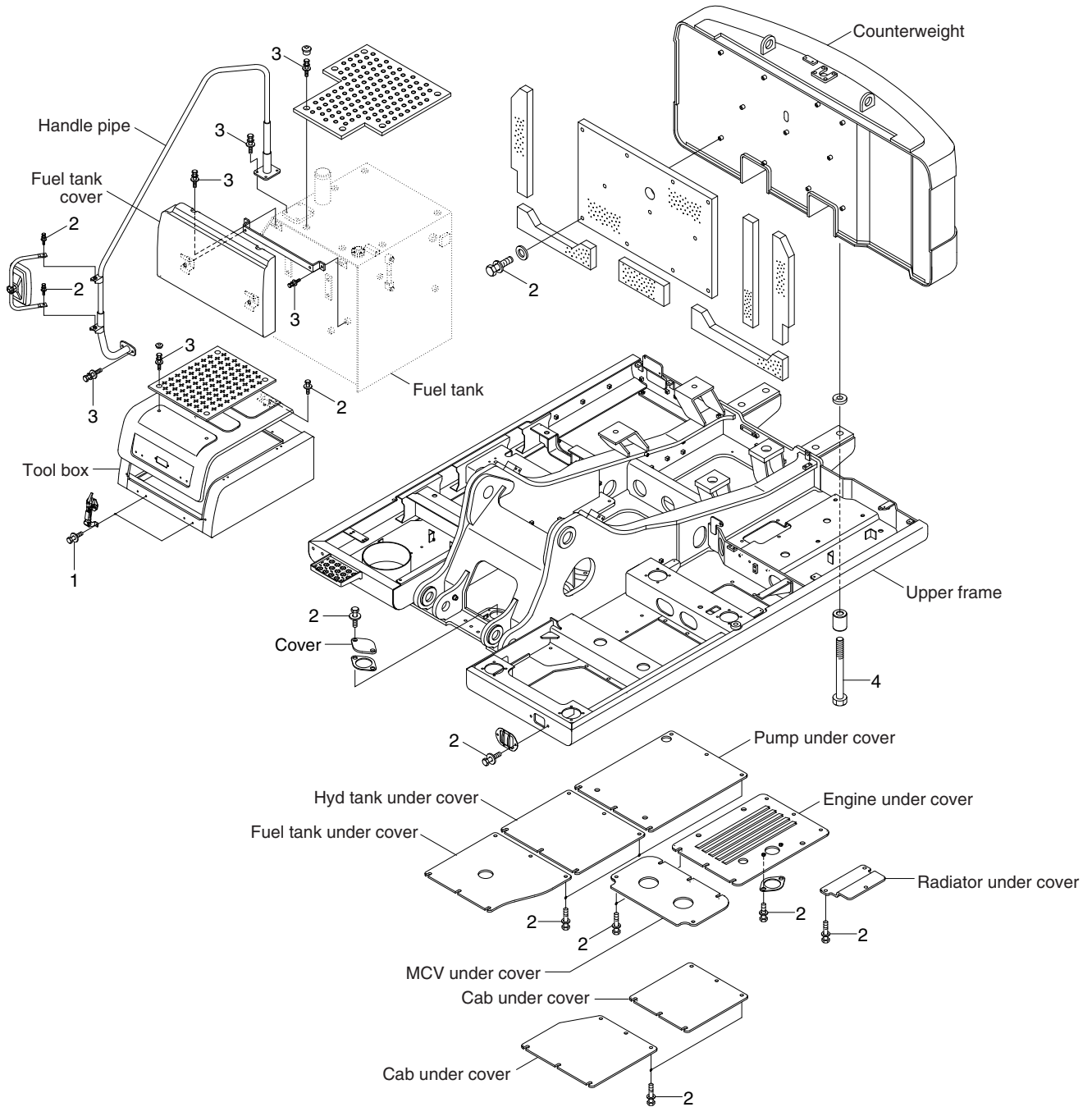


RB2209S9CM12

#### · Tightening torque

Item	Size	kgf · m	lbf · ft
1	M 8×1.25	2.5±0.5	18.1±3.6
2	M10×1.5	6.9±1.4	49.9±10.1
3	M12×1.75	12.8±3.0	92.6±21.7

## 4. COUNTERWEIGHT AND COVERS MOUNTING



RB2209S9CM13

### · Tightening torque

Item	Size	kgf · m	lbf · ft
1	M 8×1.25	2.5±0.5	18.1±3.6
2	M10×1.5	6.9±1.4	49.9±10.1

Item	Size	kgf · m	lbf · ft
3	M12×1.75	12.8±3.0	92.6±21.7
4	M36×3.0	340±10	2460±72.3