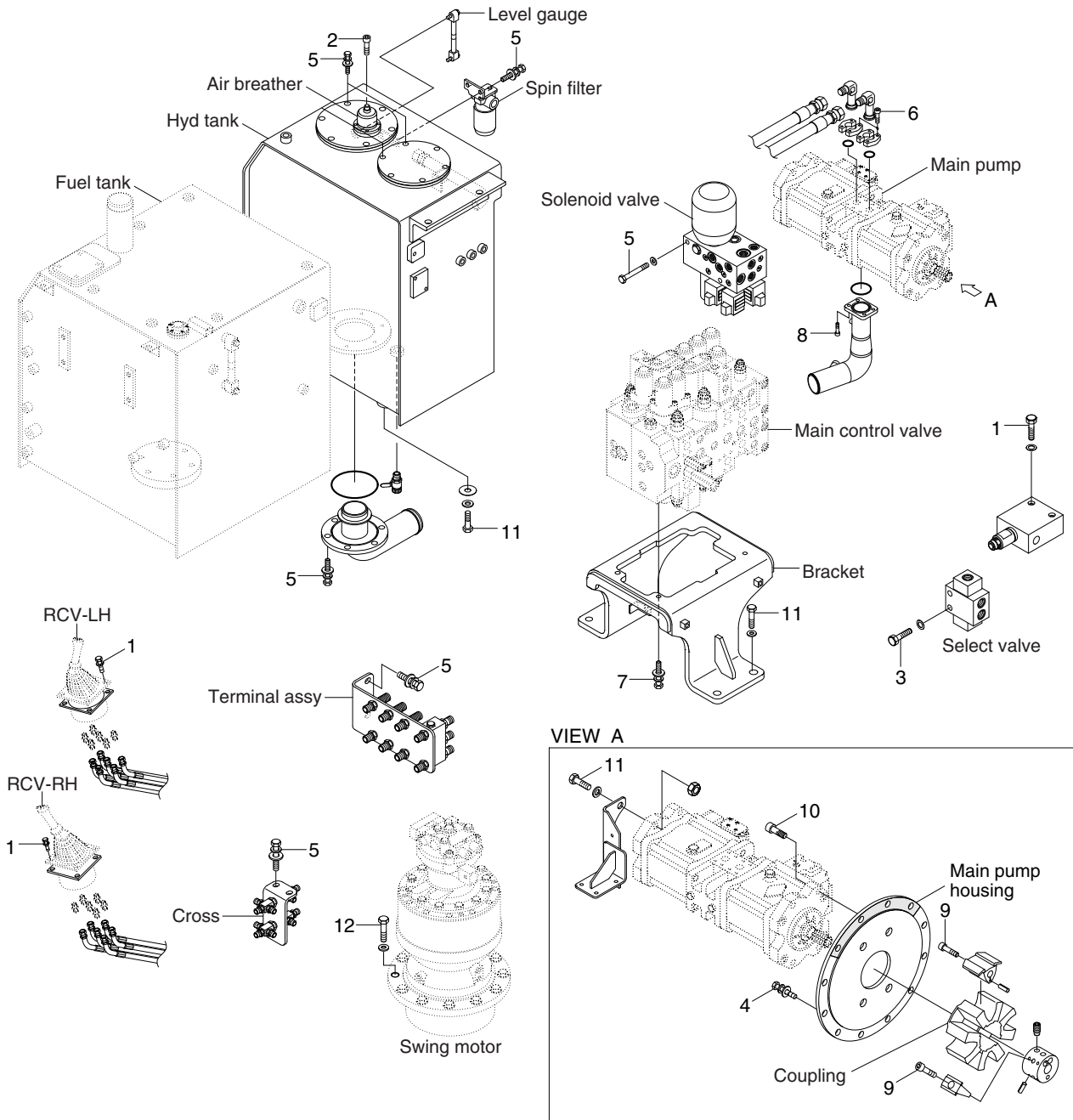


GROUP 4 HYDRAULIC SYSTEM

1. HYDRAULIC COMPONENTS MOUNTING 1



RB2209S9CM05

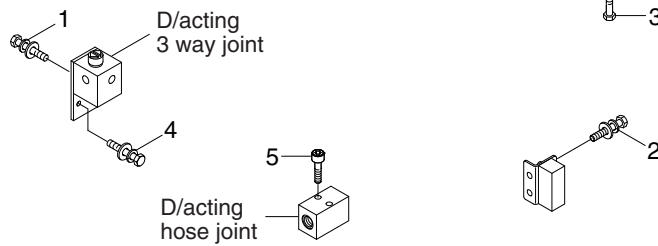
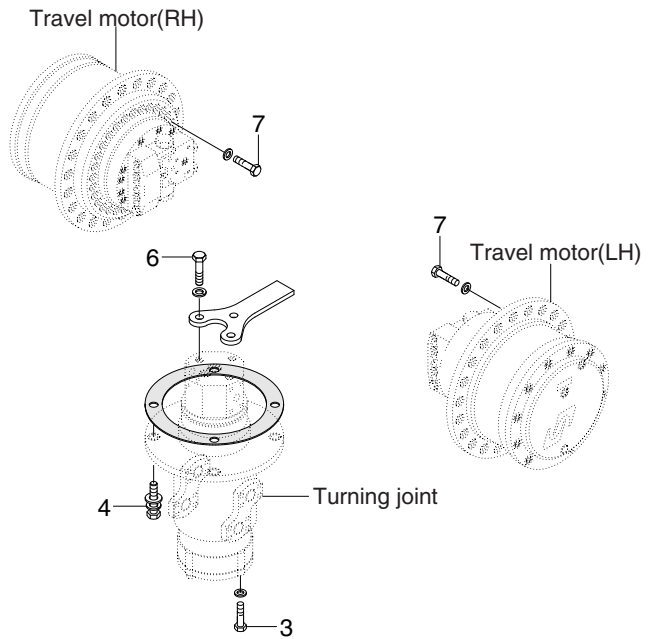
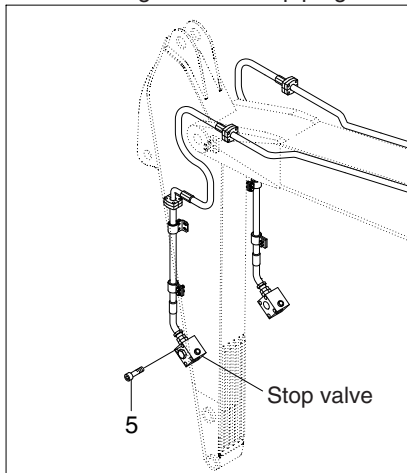
· Tightening torque

Item	Size	kgf · m	lbf · ft
1	M 6 × 1.0	1.05 ± 0.2	7.6 ± 1.45
2	M 6 × 1.0	1.44 ± 0.3	10.4 ± 2.2
3	M 8 × 1.25	2.5 ± 0.5	18.1 ± 3.6
4	M 10 × 1.5	4.8 ± 0.3	34.7 ± 2.2
5	M 10 × 1.5	6.9 ± 1.4	49.9 ± 10.1
6	M 10 × 1.5	8.27 ± 1.7	59.8 ± 12.3

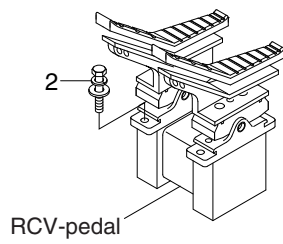
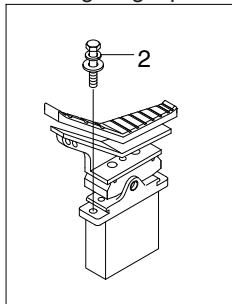
Item	Size	kgf · m	lbf · ft
7	M 12 × 1.75	12.3 ± 1.3	89 ± 9.4
8	M 12 × 1.75	14.7 ± 2.2	106 ± 15.9
9	M 18 × 2.5	32 ± 1.0	231 ± 7.2
10	M 20 × 2.5	42 ± 4.5	304 ± 32.5
11	M 20 × 2.5	57.9 ± 8.7	419 ± 62.9
12	M 20 × 2.5	58.4 ± 5.8	422 ± 42

HYDRAULIC COMPONENTS MOUNTING 2

Double acting attachment piping



D/acting single pedal



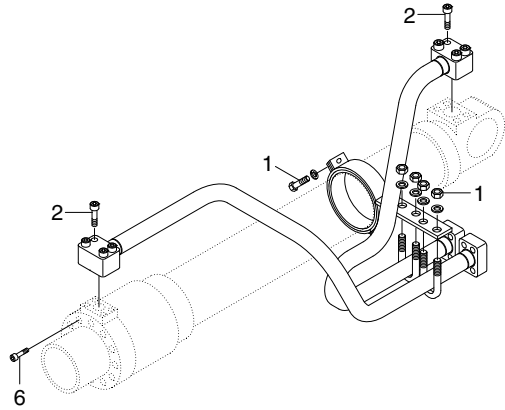
RB2209S9CM06

· Tightening torque

Item	Size	kgf · m	lbf · ft
1	M 8×1.25	2.5±0.5	18.1±3.6
2	M10×1.5	6.9±1.4	49.9±10.1
3	M12×1.75	12.3±1.3	89±9.4
4	M12×1.75	12.8±3.0	92.6±21.7

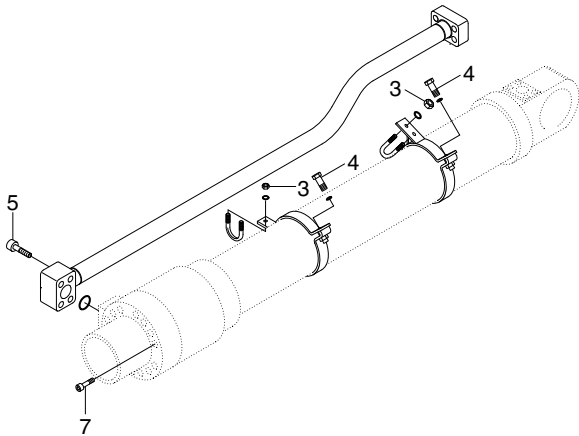
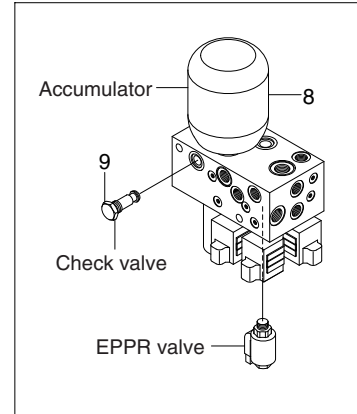
Item	Size	kgf · m	lbf · ft
5	M12×1.75	14.7±2.2	106±15.9
6	M14×2.0	19.6±2.9	142±21.0
7	M16×2.0	23.0±2.5	166±18.1
-	-	-	-

HYDRAULIC COMPONENTS MOUNTING 3

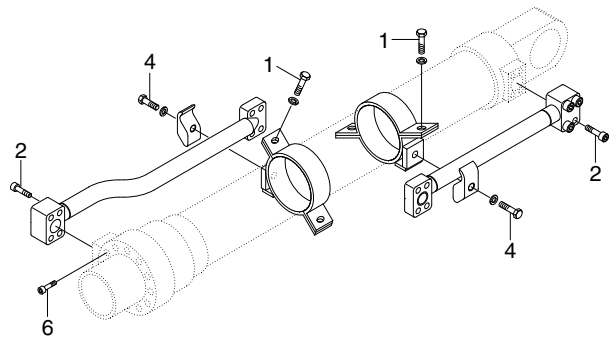


BOOM CYLINDER

Solenoid valve



ARM CYLINDER



BUCKET CYLINDER

RB2209S9CM07

· Tightening torque

Item	Size	kgf · m	lbf · ft
1	M10×1.5	3.2±0.3	23.1±2.2
2	M10×1.5	6.9±1.4	49.9±10.1
3	M12×1.75	5.5±0.6	39.8±4.3
4	M12×1.75	9.3±1.9	67.3±13.7
5	M12×1.75	12.8±3.0	92.6±21.7

Item	Size	kgf · m	lbf · ft
6	M16×2.0	35.6±7.1	257±51
7	M18×2.5	32±3.0	232±21.7
8	Accumulator	5.6±0.5	40.5±3.6
9	Check valve	2.5±0.5	18±3.6
-	-	-	-