

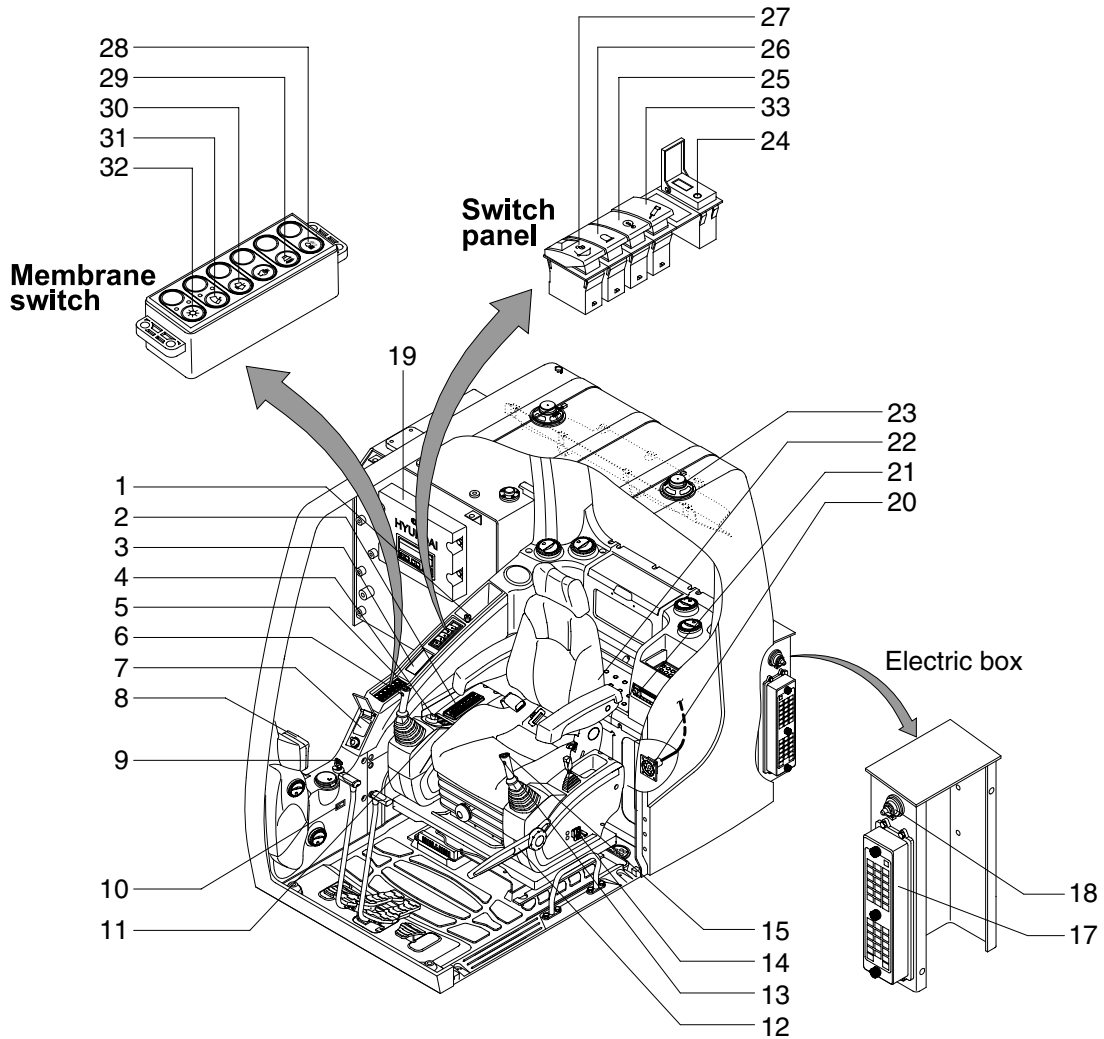
SECTION 4 ELECTRICAL SYSTEM

Group 1 Component Location	4-1
Group 2 Electrical Circuit	4-3
Group 3 Electrical Component Specification	4-32
Group 4 Connectors	4-40

SECTION 4 ELECTRICAL SYSTEM

GROUP 1 COMPONENT LOCATION

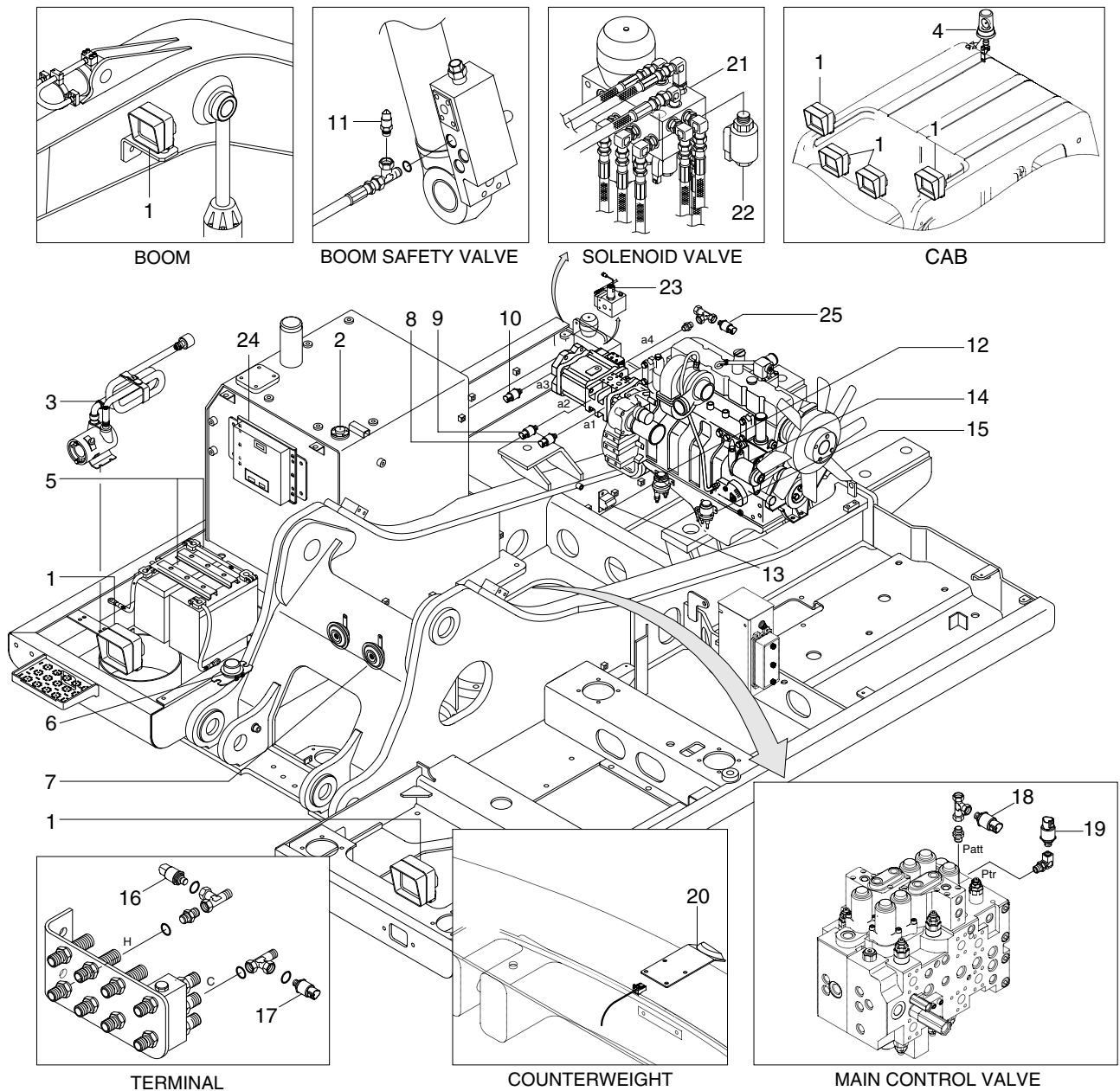
1. LOCATION 1



2209S4EL01

- | | | |
|-----------------------------------|---------------------------------|------------------------|
| 1 Cigar lighter | 12 Safety lever | 24 USB socket |
| 2 Air conditioner & heater switch | 13 Power max switch | 25 Overload switch |
| 3 Remote controller | 14 Emergency engine stop switch | 26 Beacon switch |
| 4 Accel dial switch | 15 One touch decel switch | 27 Quick clamp switch |
| 5 Horn switch | 17 Fuse & relay box | 28 Cab light switch |
| 6 Breaker operation switch | 18 Master switch | 29 Travel alarm switch |
| 7 Handsfree | 19 Machine control unit | 30 Washer switch |
| 8 Cluster | 20 RS232 service socket | 31 Wiper switch |
| 9 Start switch | 21 Radio & USB player | 32 Main light switch |
| 10 Hour meter | 22 Heated seat switch | 33 Breaker switch |
| 11 Air compressor switch | 23 Speaker | |

2. LOCATION 2



2209S4EL02

- | | | |
|----------------------|-----------------------------|-------------------------------|
| 1 Lamp | 10 P3 pressure sensor | 19 Travel pressure sensor |
| 2 Fuel sender | 11 Overload pressure sensor | 20 Rear view camera |
| 3 Fuel filler pump | 12 Start relay | 21 Solenoid valve |
| 4 Beacon lamp | 13 Back buzzer | 22 Boom priority EPPR valve |
| 5 Battery | 14 Alternator | 23 Pump EPPR valve |
| 6 Battery relay | 15 Heater relay | 24 Machine control unit (MCU) |
| 7 Horn | 16 Boom up pressure sensor | 25 Attachment flow EPPR vlv |
| 8 P1 pressure sensor | 17 Swing pressure sensor | |
| 9 P2 pressure sensor | 18 Attach pressure sensor | |

※ Cluster type 1 only : 10, 16, 17, 25