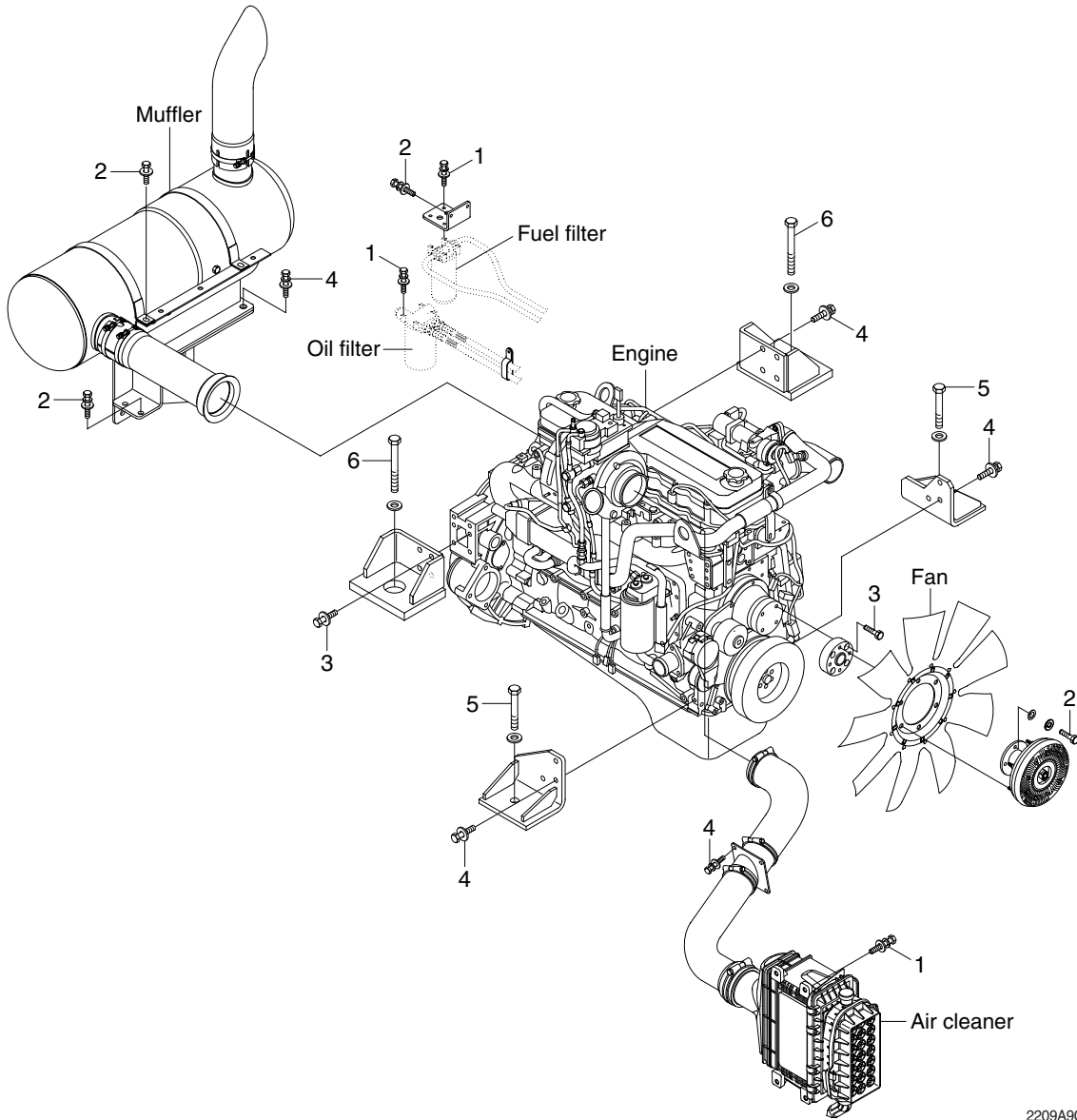


GROUP 2 ENGINE SYSTEM

ENGINE AND ACCESSORIES MOUNTING



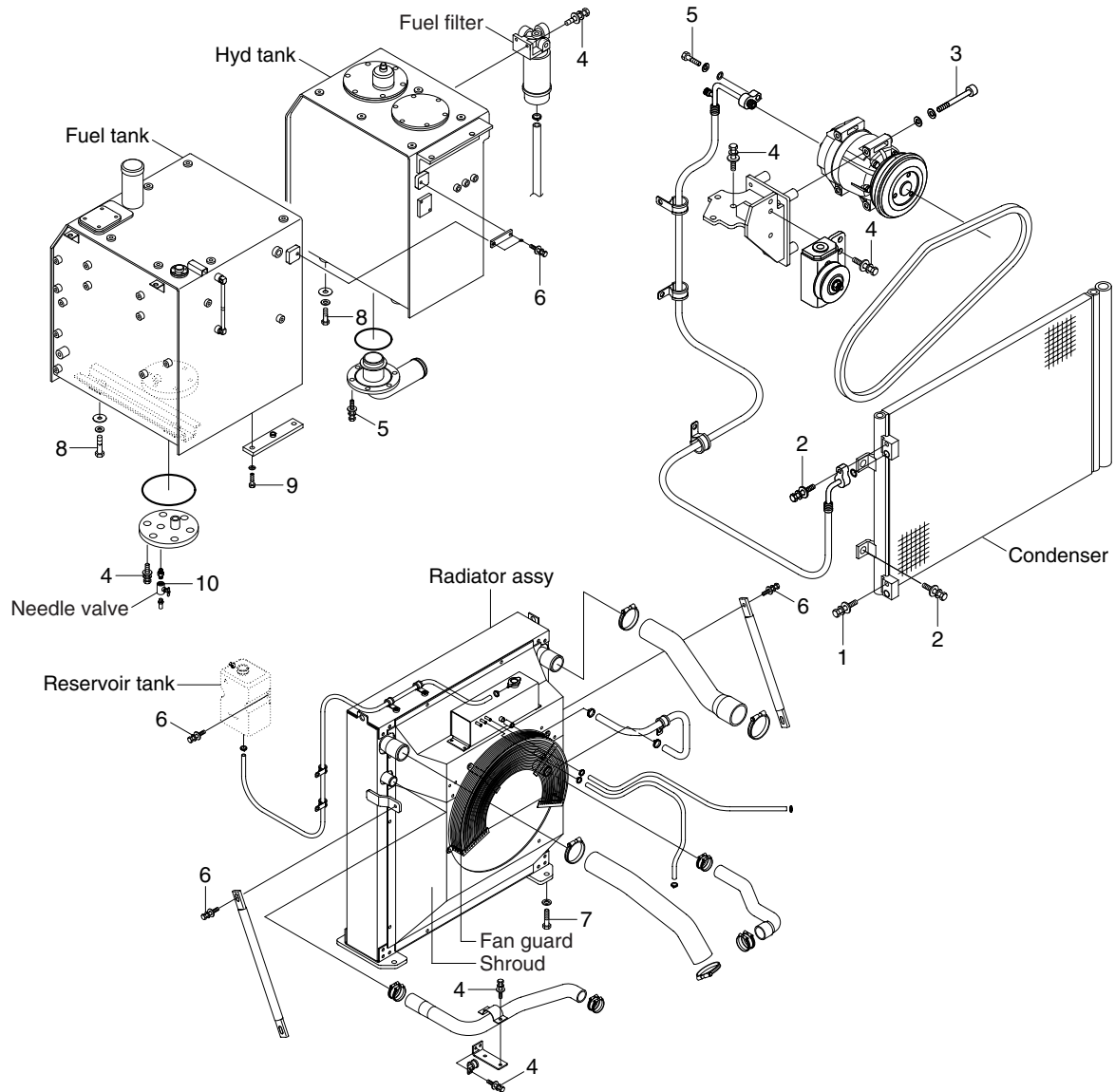
2209A9CM01

· Tightening torque

| Item | Size | kgf · m | lbf · ft |
|------|----------|---------|-----------|
| 1 | M 8×1.25 | 2.5±0.5 | 18.1±3.6 |
| 2 | M10×1.5 | 6.9±1.4 | 49.9±10.1 |
| 3 | M10×1.25 | 9.0±1.8 | 65±13 |

| Item | Size | kgf · m | lbf · ft |
|------|----------|----------|-----------|
| 4 | M12×1.75 | 12.8±3.0 | 92.6±21.7 |
| 5 | M20×2.5 | 55±3.5 | 398±25.3 |
| 6 | M24×3.0 | 90±7.0 | 651±51 |

COOLING SYSTEM AND FUEL TANK MOUNTING



2209A9CM02

· Tightening torque

| Item | Size | kgf · m | lbf · ft |
|------|----------|----------|-----------|
| 1 | M 6×1.0 | 1.05±0.2 | 7.6±1.45 |
| 2 | M 8×1.25 | 2.5±0.5 | 18.1±3.6 |
| 3 | M 8×1.0 | 4.05±0.8 | 29.3±5.8 |
| 4 | M10×1.5 | 6.9±1.4 | 49.9±10.1 |
| 5 | M10×1.25 | 7.4±1.5 | 53.5±10.8 |

| Item | Size | kgf · m | lbf · ft |
|------|----------|----------|-----------|
| 6 | M12×1.75 | 12.8±3.0 | 92.6±21.7 |
| 7 | M16×2.0 | 29.7±4.5 | 215±32.5 |
| 8 | M20×2.5 | 46±5.1 | 333±36.9 |
| 9 | M20×2.5 | 57.9±8.7 | 419±62.9 |
| 10 | - | 2.3±0.6 | 16.6±4.3 |