

GROUP 4 CONNECTORS

1. CONNECTOR DESTINATION

| Connector number | Type | No. of pin | Destination | Connector part No. | |
|------------------|-----------|------------|---|--------------------|------------------|
| | | | | Female | Male |
| CN-1 | AMP | 10 | I/conn (Frame harness-Pump PS harness) | S816-010002 | S816-110002 |
| CN-2 | AMP | 12 | I/conn (Frame harness-Engine harness) | S816-012002 | S816-112002 |
| CN-3 | AMP | 15 | I/conn (Frame harness-Engine harness) | 2-85262-1 | 368301-1 |
| CN-4 | AMP | 16 | I/conn (Console harness LH-Frame harness) | 368047-1 | 368050-1 |
| CN-5 | DEUTSCH | 60 | I/conn (Side harness RH-Frame harness) | DRB16-60SAE-L018 | DRB14-60PAE-L018 |
| CN-7 | AMP | 16 | I/conn (Console harness RH-Frame harness) | 368047-1 | 368050-1 |
| CN-8 | AMP | 12 | I/conn (Console harness RH-Frame harness) | S816-012002 | S816-112002 |
| CN-10 | DEUTSCH | 12 | I/conn (Cab harness-Side harness RH) | DT06-12S-EP06 | DT04-12P-BE02 |
| CN-11 | DEUTSCH | 8 | I/conn (Frame harness-Aircon harness) | DT06-8S-EP06 | - |
| CN-12 | DEUTSCH | 2 | I/conn (Frame harness-Boom wire harness) | DT06-2S-EP06 | DT04-2P |
| CN-14 | AMP | 8 | I/conn (Frame harness) | S816-008002 | - |
| CN-15 | AMP | 12 | I/conn (Frame harness) | S816-012002 | S816-112002 |
| CN-16 | AMP | 6 | Emergency engine start & speed control | S816-006002 | S816-106002 |
| CN-17 | DEUTSCH | 8 | I/conn (Wiper harness) | DT06-8S-EP06 | DT04-8P |
| CN-20 | MOLEX | 2 | Horn | 36825-0211 | - |
| CN-21 | AMP | 6 | Wiper motor | 925276-0 | - |
| CN-22 | KET | 2 | Washer pump | MG640605 | - |
| CN-23 | KET | 2 | Speaker-LH | MG610070 | - |
| CN-24 | KET | 2 | Speaker-RH | MG610070 | - |
| CN-25 | MOLEX | 2 | Horn | 36825-0211 | - |
| CN-27 | KUM | 16 | Radio & CD/MP3 player | PK145-16017 | - |
| CN-28 | KUM | 1 | Aircon compressor | NMWP01F-B | - |
| CN-29 | KET | 2 | Receiver dryer | MG640795 | - |
| CN-36 | - | - | Fuse & relay box | 21Q7-10910 | - |
| CN-45 | RING-TERM | - | Starter motor B+ | S820-308000 | - |
| CN-48 | KET | 1 | Hour meter | GP890469 | - |
| CN-51 | DEUTSCH | 40 | MCU | DRC26-40SA | - |
| CN-52 | DEUTSCH | 40 | MCU | DRC26-40SB | - |
| CN-53 | DEUTSCH | 40 | MCU | DRC26-40SC | - |
| CN-56 | AMP | 8 | Cluster | - | S816-108002 |
| CN-60 | AMP | 2 | Fusible link | 21N4-01320 | S813-130201 |
| CN-61 | DEUTSCH | 2 | Fuel filler pump | DT06-2S-EP06 | - |
| CN-66 | DEUTSCH | 2 | Breaker solenoid | DT06-2S-EP06 | - |
| CN-68 | DEUTSCH | 2 | Safety solenoid | DT06-2S-EP06 | - |
| CN-70 | DEUTSCH | 2 | Travel high solenoid | DT06-2S-EP06 | - |

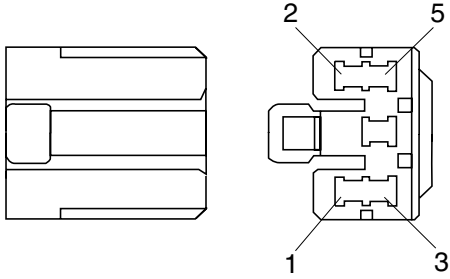
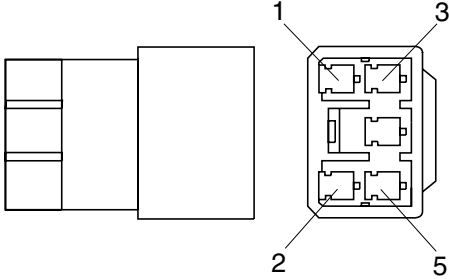
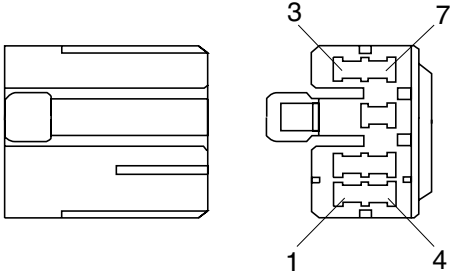
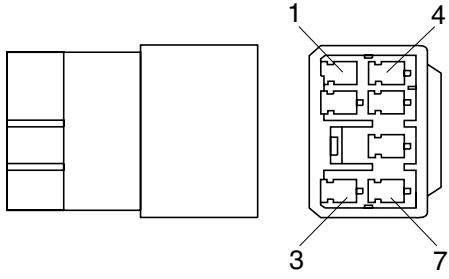
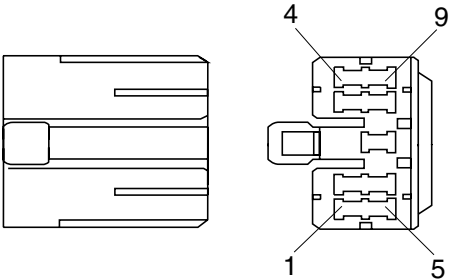
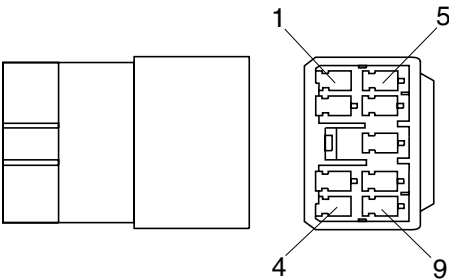
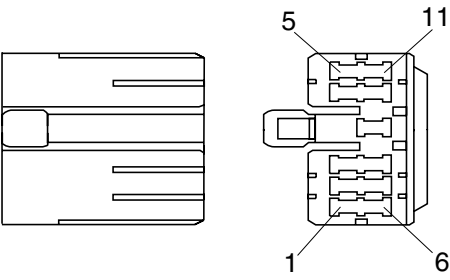
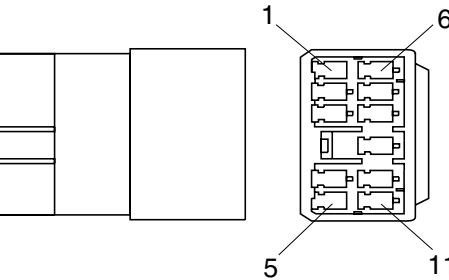
| Connector number | Type | No. of pin | Destination | Connector part No. | |
|------------------|-------------|------------|---------------------------|--------------------|--------------|
| | | | | Female | Male |
| CN-74 | KET | 2 | Alternator "I" terminal | MG640-188-4 | - |
| CN-75 | AMP | 2 | Pump EPPR | S816-002002 | - |
| CN-80 | RING-TERM | - | Glow plug | S820-306000 | - |
| CN-81 | DEUTSCH | 2 | Travel buzzer solenoid | DT06-2S-EP06 | - |
| CN-88 | DEUTSCH | 2 | Power max solenoid | DT06-2S-EP06 | - |
| CN-93 | DEUTSCH | 50 | ECM | DRC26-50S-04 | - |
| CN-94 | DEUTSCH | 4 | ECM earth | DTP06-4S-EP06 | - |
| CN-95 | YAZAKI | 2 | Fusible link | 21N4-01311 | 7122-4125-50 |
| CN-96 | AMP | 4 | Fuel warmer | 2-967325-3 | - |
| CN-113 | AMP | 2 | Siren buzzer | S816-002002 | S816-102002 |
| CN-116 | AMP | 12 | Switch panel | 176116 | - |
| CN-125 | Econoseal J | 4 | GPS connector | S816-004002 | S816-104002 |
| CN-126 | AMP | 10 | Service tool | S816-010002 | S816-110002 |
| CN-133 | DEUTSCH | 2 | Boom priority solenoid | DT06-2S-EP06 | - |
| CN-135 | DEUTSCH | 2 | Arm regeneration solenoid | DT06-2S-EP06 | - |
| CN-138 | FASTEN | 3 | DC/DC Converter | S810-003202 | - |
| CN-139 | FASTEN | 2 | 12V socket | S810-002202 | - |
| CN-140 | DEUTSCH | 2 | Quick clamp solenoid | DT06-2S-EP06 | DT04-2P-E005 |
| CN-141 | AMP | 13 | Wiper motor controller | 172498-1 | DT04-3P-EP10 |
| CN-142 | DEUTSCH | 3 | Accel dial | DT06-3S-EP06 | - |
| CN-144 | KET | 20 | Handsfree | MG610240 | - |
| CN-147 | AMP | 4 | Fuel heater | 2-967325-3 | - |
| CN-149 | DEUTSCH | 2 | Attach safety solenoid | DT06-2S-EP06 | - |
| CN-156 | DEUTSCH | 2 | Air seat | DT04-2P-E005 | - |
| CN-170 | AMP | 2 | Heated seat | 12052641 | - |
| CN-173 | DEUTSCH | 3 | Resistor | DT06-3S-EP06 | DT04-3P-EP10 |
| CN-236 | DEUTSCH | 2 | Attach pressure solenoid | DT06-2S-EP06 | - |
| CN-237 | DEUTSCH | 2 | Attach conflux solenoid | DT06-2S-EP06 | - |
| CN-242 | DEUTSCH | 2 | Attach flow solenoid | DT06-2S-EP06 | DT04-2P-E005 |
| CN-244 | AMP | 2 | CAN 2 | - | S816-102002 |
| CN-245 | AMP | 12 | Remote controller assy | 368542-1 | - |
| CN-246 | AMP | 12 | USB & Socket assy | 174045-2 | - |
| CN-247 | DEUTSCH | 8 | PWM convert | DT06-08SA-EP06 | DT04-8P |
| CN-249 | DEUTSCH | 4 | Rear view camera | DT06-4S-EP06 | DT04-4P-E005 |
| CN-255 | AMP | 2 | PTC Power | S813-030201 | - |
| CN-256 | AMP | 8 | Proportional | - | S816-108002 |
| CN-258 | KET | 1 | Aircon compressor power | MG640944-5 | - |
| CN-263 | DEUTSCH | 2 | Aircon compressor relay | DT06-2S-EP06 | - |
| CN-279 | AMP | 2 | Accel dial LED | S816-002002 | S816-102002 |

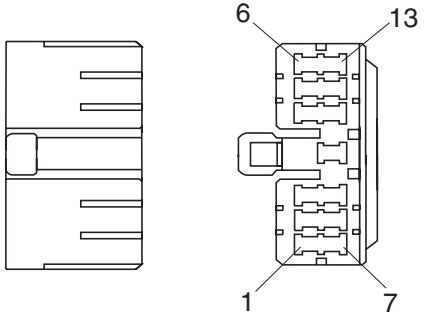
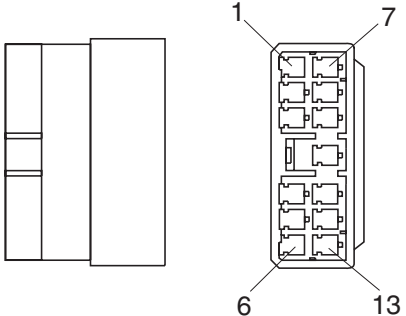
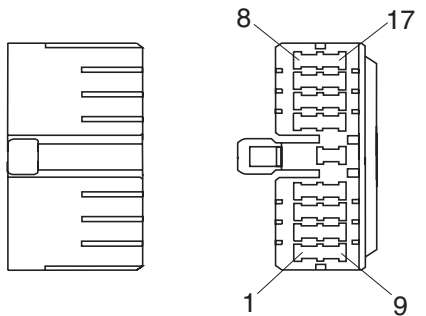
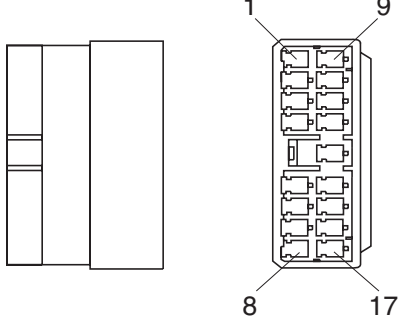
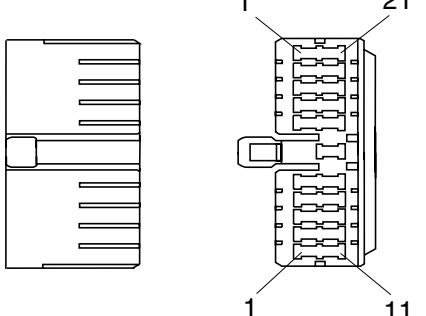
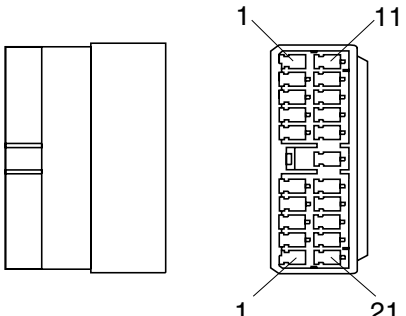
| Connector number | Type | No. of pin | Destination | Connector part No. | |
|------------------|-----------|------------|------------------------------|--------------------|--------------|
| | | | | Female | Male |
| · Relay | | | | | |
| CR-1 | RING-TERM | - | Battery relay | ST730135-2 | - |
| CR-2 | - | 5 | Horn relay | - | - |
| CR-4 | - | 5 | Working lamp relay | - | - |
| CR-5 | - | 5 | Anti restart relay | - | - |
| CR-7 | - | 5 | Aircon compressor relay | - | - |
| CR-9 | - | 5 | Cabin lamp relay | - | - |
| CR-13 | - | 5 | Head lamp relay | - | - |
| CR-23 | KET | 2 | Start relay | S814-002001 | S814-102001 |
| CR-24 | RING TERM | 1 | Preheat relay | S822-014000 | - |
| CR-35 | - | 5 | Power relay | - | - |
| CR-36 | - | 5 | Preheat relay | - | - |
| CR-45 | - | 5 | ECM power relay | - | - |
| CR-46 | - | 5 | Fuel heater relay | - | - |
| CR-62 | - | 5 | Breaker relay | - | - |
| · Switch | | | | | |
| CS-1 | SHUR | 1 | Door switch | S822-014002 | S822-114002 |
| CS-2 | WP | 6 | Start key switch | S816-006000 | - |
| CS-4 | DEUTSCH | 3 | Safety switch | DT06-3S-EP06 | - |
| CS-5 | DEUTSCH | 2 | Horn switch | - | DT04-2P-E005 |
| CS-19 | DEUTSCH | 2 | One touch decel switch | - | DT04-2P-E005 |
| CS-20 | AMP | 1 | Safety switch | S822-014002 | - |
| CS-23 | SWF | 12 | Beacon lamp switch | SWF589790 | - |
| CS-26 | DEUTSCH | 2 | Breaker switch | DT06-2S-EP06 | - |
| CS-26A | AMP | 2 | Breaker pedal switch | S816-002002 | S816-102002 |
| CS-27 | SWF | 10 | Breaker switch | SWF 593757 | - |
| CS-29 | DEUTSCH | 2 | Power max switch | DT06-2S-EP06 | - |
| CS-33 | AMP | 6 | Emergency engine stop switch | S816-006002 | - |
| CS-50 | SWF | 12 | Overload switch | SWF589790 | - |
| CS-52 | SWF | 12 | Econo switch | SWF 593757 | - |
| CS-53 | AMP | 1 | Wiper cut switch | S822-014002 | - |
| CS-67 | SWF | 12 | Quick clamp switch | SWF 589790 | - |
| CS-73 | SWF | 12 | Reverse & fan switch | SWF 589790 | - |
| CS-74A | AMP | 2 | Master switch | S813-030201 | - |
| CS-74B | DEUTSCH | 2 | Master switch | DT06-2S-EP06 | - |
| CS-82 | SWF | 12 | Heated seat switch | SWF 589790 | - |
| CS-83 | SWF | 12 | Spare switch | SWF589790 | - |
| CS-99 | SWF | 12 | Spare switch | SWF 589790 | - |
| CS-100 | SWF | 12 | Spare switch | SWF 589790 | - |

| Connector number | Type | No. of pin | Destination | Connector part No. | |
|------------------|-----------|------------|---------------------------|--------------------|--------------|
| | | | | Female | Male |
| · Light | | | | | |
| CL-1 | KET | 3 | Room lamp | MG651032 | - |
| CL-2 | AMP | 1 | Cigar light | S822-014002 | S822-114002 |
| CL-3 | DEUTSCH | 2 | Head lamp-LH | - | DT04-2P-E005 |
| CL-4 | DEUTSCH | 2 | Head lamp-RH | - | DT04-2P-E005 |
| CL-5 | DEUTSCH | 2 | Work lamp-LH | - | DT04-2P |
| CL-6 | DEUTSCH | 2 | Work lamp-RH | - | DT04-2P |
| CL-7 | SHUR | 1 | Beacon lamp | S822-014002 | S822-114002 |
| CL-8 | DEUTSCH | 2 | Cab light-LH | DT04-2S | DT-2P-E005 |
| CL-9 | DEUTSCH | 2 | Cab light-RH | DT04-2S | DT04-2P-E005 |
| CL-24 | DEUTSCH | 2 | Head lamp | - | DT04-2P-E005 |
| · Sensor, sendor | | | | | |
| CD-1 | AMP | 2 | Hydraulic oil temp sender | 85202-1 | - |
| CD-2 | DEUTSCH | 2 | Fuel sender | DT06-2S-EP06 | - |
| CD-6 | DEUTSCH | 3 | Travel pressure switch | DT06-3S-EP06 | - |
| CD-7 | DEUTSCH | 3 | Working pressure switch | DT06-3S-EP06 | - |
| CD-10 | RING TERM | - | Air cleaner switch | ST730135-2 | - |
| CD-24 | DEUTSCH | 3 | Swing sensor | DT06-3S-EP06 | - |
| CD-31 | DEUTSCH | 3 | Overload sensor | DT06-3S-EP06 | - |
| CD-32 | DEUTSCH | 3 | Boom up sensor | DT06-3S-EP06 | - |
| CD-35 | DEUTSCH | 3 | Arm & bucket in sensor | DT06-3S-EP06 | - |
| CD-42 | DEUTSCH | 3 | Pump pressure 1 | DT06-3S-EP06 | - |
| CD-43 | DEUTSCH | 3 | Pump pressure 2 | DT06-3S-EP06 | - |
| CD-44 | DEUTSCH | 3 | Pump pressure 3 | DT06-3S-EP06 | - |
| CD-45 | DEUTSCH | 2 | WIF sensor | DT06-2S-EP06 | - |
| CD-69 | DEUTSCH | 3 | Attach pressure sensor | DT06-3S-EP06 | - |
| CD-70 | DEUTSCH | 3 | N1 pressure sensor | DT06-3S-EP06 | - |
| CD-71 | DEUTSCH | 3 | N2 pressure sensor | DT06-3S-EP06 | - |

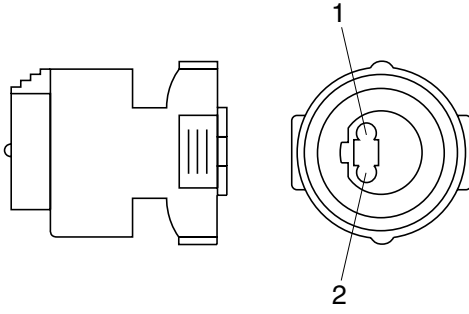
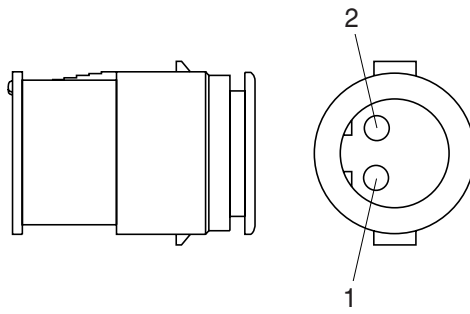
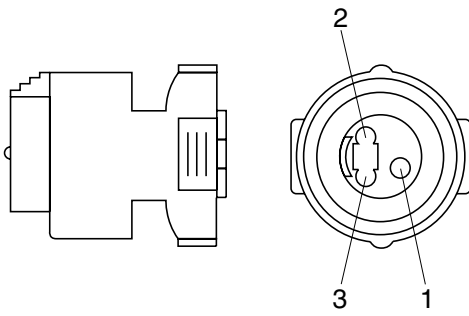
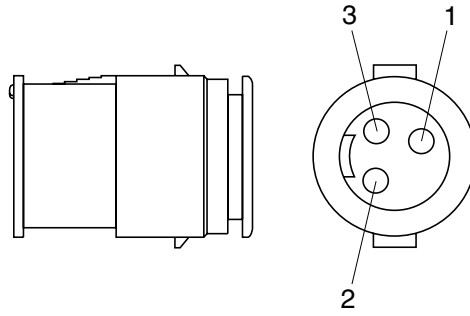
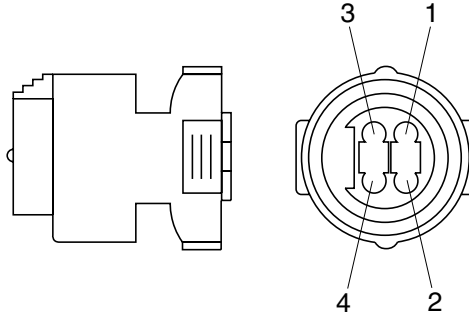
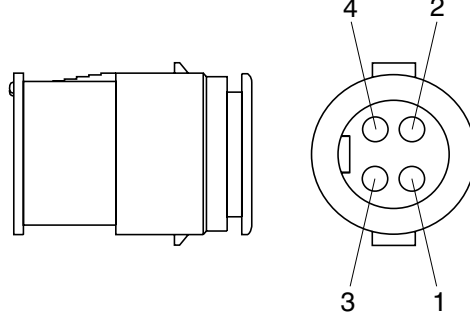
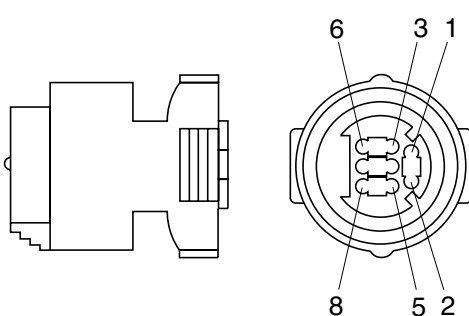
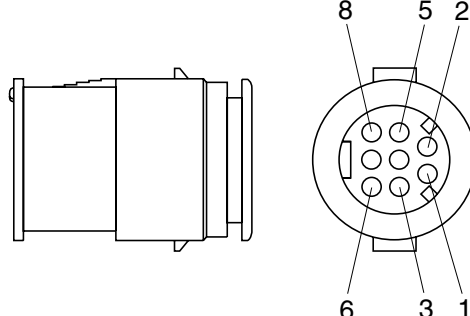
2. CONNECTION TABLE FOR CONNECTORS

1) PA TYPE CONNECTOR

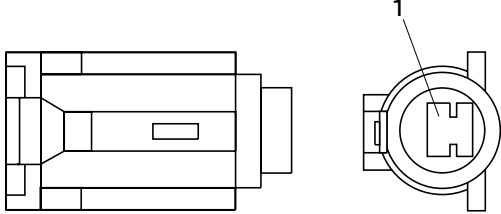
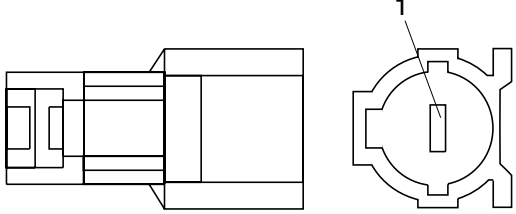
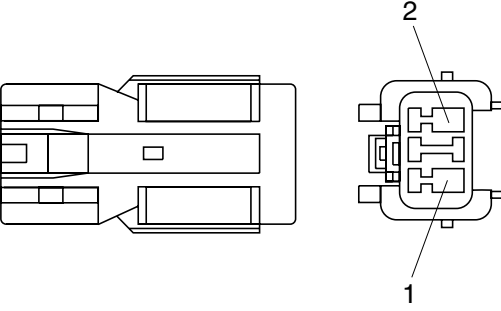
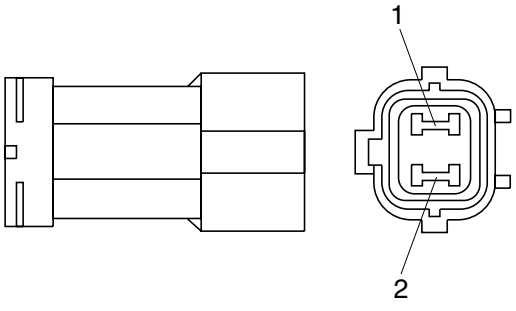
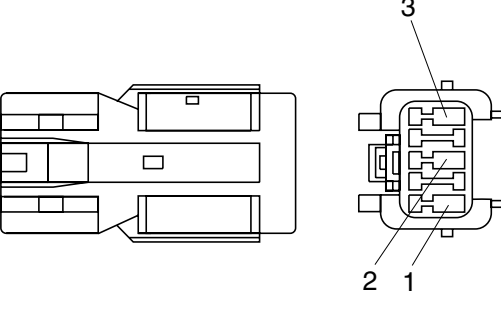
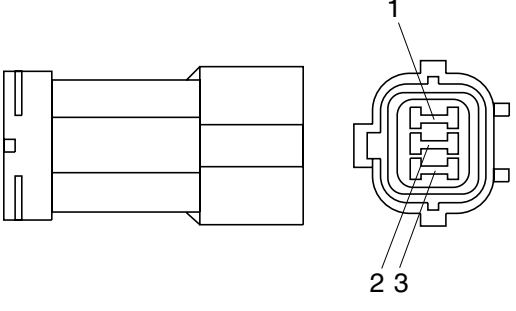
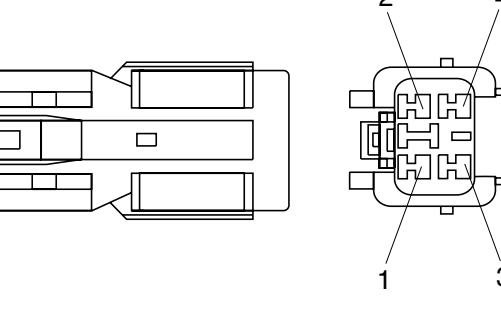
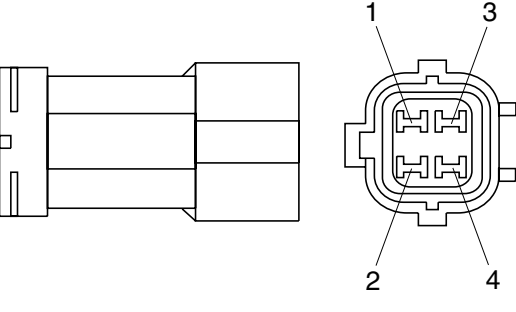
| No. of pin | Receptacle connector (female) | Plug connector (male) |
|------------|--|--|
| 5 |  <p style="text-align: center;">S811-005002</p> |  <p style="text-align: center;">S811-105002</p> |
| 7 |  <p style="text-align: center;">S811-007002</p> |  <p style="text-align: center;">S811-107002</p> |
| 9 |  <p style="text-align: center;">S811-009002</p> |  <p style="text-align: center;">3S811-109002</p> |
| 11 |  <p style="text-align: center;">S811-011002</p> |  <p style="text-align: center;">S811-111002</p> |

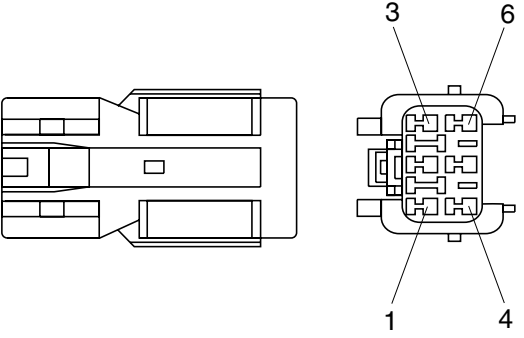
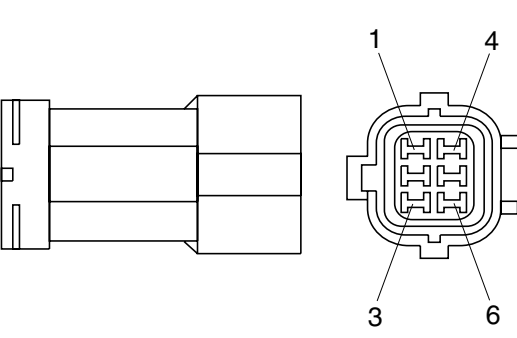
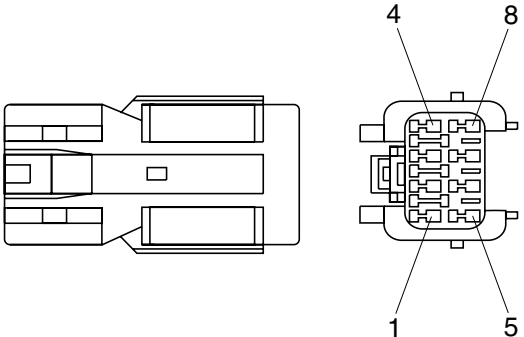
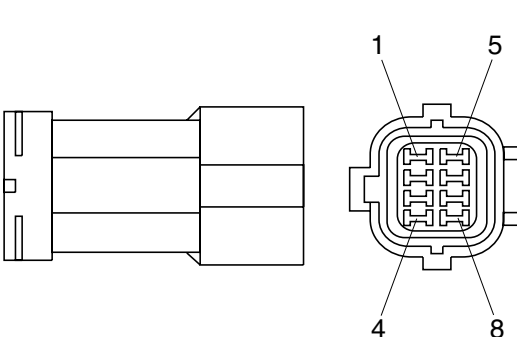
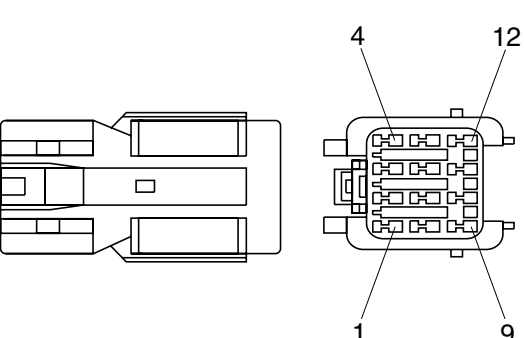
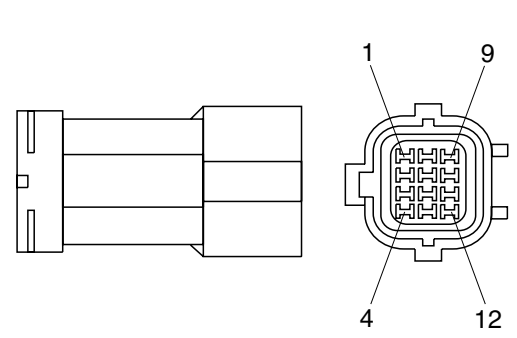
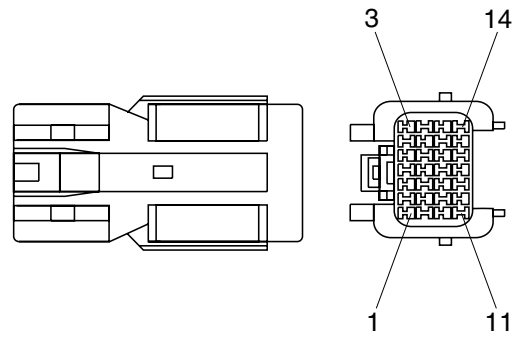
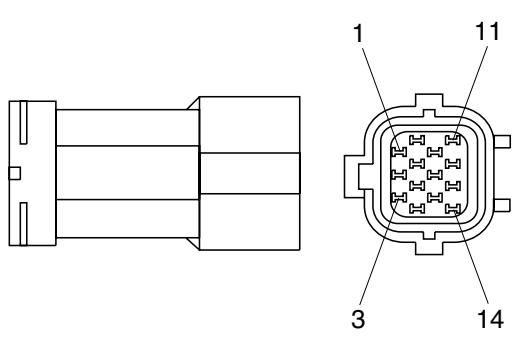
| No. of pin | Receptacle connector (female) | Plug connector (male) |
|------------|--|---|
| 13 |  <p style="text-align: center;">S811-013002</p> |  <p style="text-align: center;">S811-113002</p> |
| 17 |  <p style="text-align: center;">S811-017002</p> |  <p style="text-align: center;">S811-117002</p> |
| 21 |  <p style="text-align: center;">S811-021002</p> |  <p style="text-align: center;">S811-121002</p> |

2) J TYPE CONNECTOR

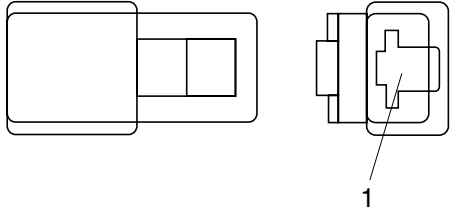
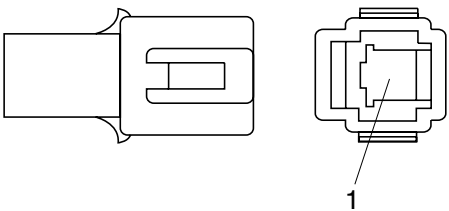
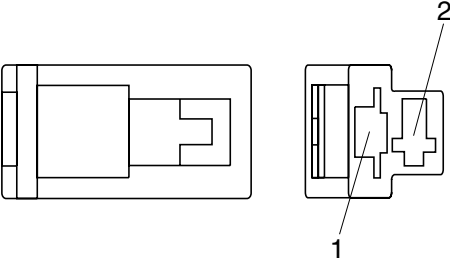
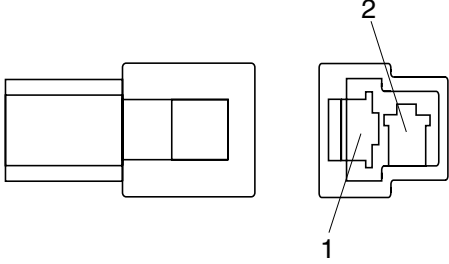
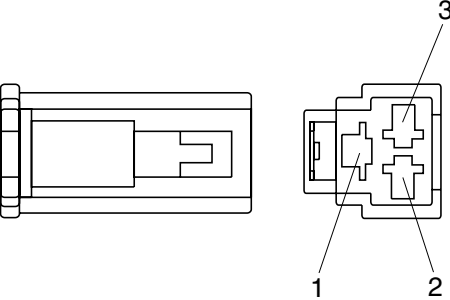
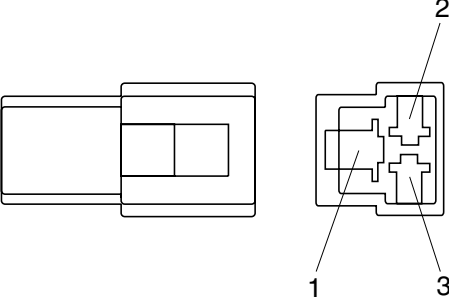
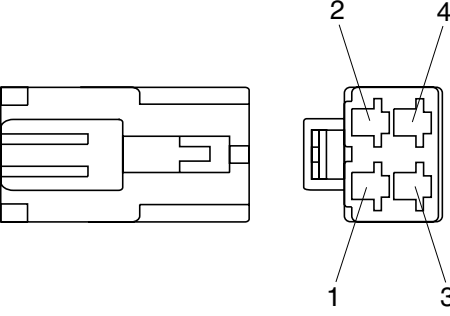
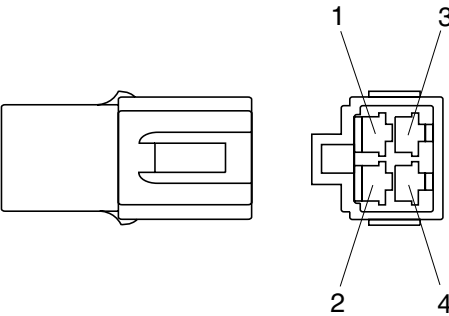
| No. of pin | Receptacle connector (female) | Plug connector (male) |
|------------|--|---|
| 2 |  <p style="text-align: center;">S816-002001</p> |  <p style="text-align: center;">S816-102001</p> |
| 3 |  <p style="text-align: center;">S816-003001</p> |  <p style="text-align: center;">S816-103001</p> |
| 4 |  <p style="text-align: center;">S816-004001</p> |  <p style="text-align: center;">S816-104001</p> |
| 8 |  <p style="text-align: center;">S816-008001</p> |  <p style="text-align: center;">S816-108001</p> |

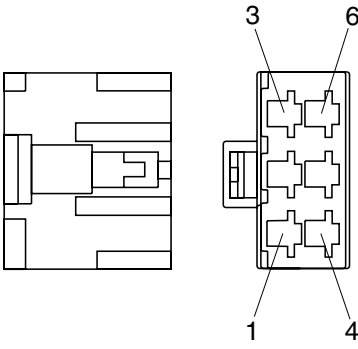
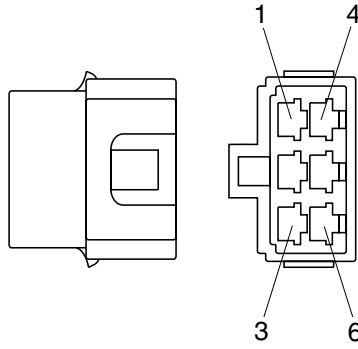
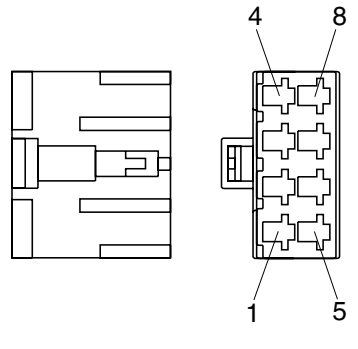
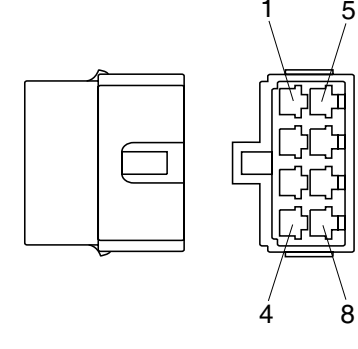
3) SWP TYPE CONNECTOR

| No. of pin | Receptacle connector (female) | Plug connector (male) |
|------------|--|---|
| 1 |  <p data-bbox="687 680 836 712">S814-001000</p> |  <p data-bbox="1241 680 1390 712">S814-101000</p> |
| 2 |  <p data-bbox="687 1088 836 1120">S814-002000</p> |  <p data-bbox="1241 1088 1390 1120">S814-102000</p> |
| 3 |  <p data-bbox="687 1498 836 1529">S814-003000</p> |  <p data-bbox="1241 1498 1390 1529">S814-103000</p> |
| 4 |  <p data-bbox="687 1908 836 1939">S814-004000</p> |  <p data-bbox="1241 1908 1390 1939">S814-104000</p> |

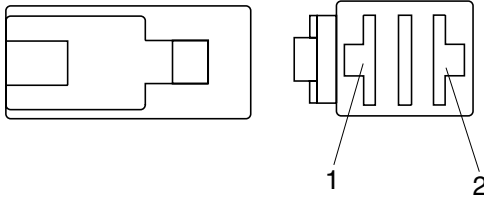
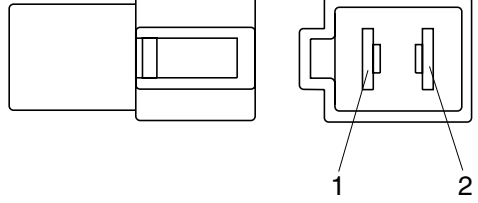
| No. of pin | Receptacle connector (female) | Plug connector (male) |
|------------|--|---|
| 6 |  <p data-bbox="686 638 837 672">S814-006000</p> |  <p data-bbox="1244 638 1396 672">S814-106000</p> |
| 8 |  <p data-bbox="686 1041 837 1075">S814-008000</p> |  <p data-bbox="1244 1041 1396 1075">S814-108000</p> |
| 12 |  <p data-bbox="686 1449 837 1482">S814-012000</p> |  <p data-bbox="1244 1449 1396 1482">S814-112000</p> |
| 14 |  <p data-bbox="686 1856 837 1890">S814-014000</p> |  <p data-bbox="1244 1856 1396 1890">S814-114000</p> |

4) CN TYPE CONNECTOR

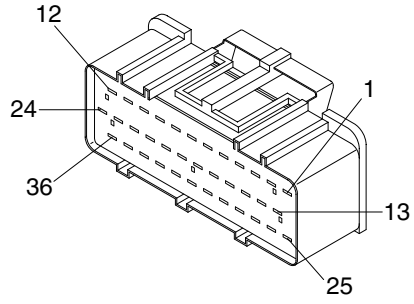
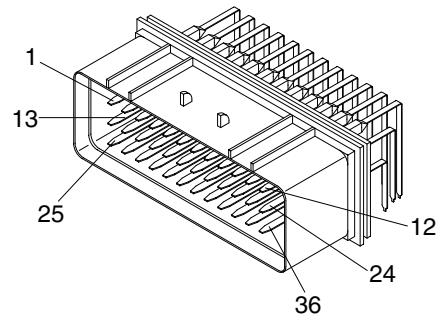
| No. of pin | Receptacle connector (female) | Plug connector (male) |
|------------|--|---|
| 1 |  <p style="text-align: center;">S810-001202</p> |  <p style="text-align: center;">S810-101202</p> |
| 2 |  <p style="text-align: center;">S810-002202</p> |  <p style="text-align: center;">S810-102202</p> |
| 3 |  <p style="text-align: center;">S810-003202</p> |  <p style="text-align: center;">S810-103202</p> |
| 4 |  <p style="text-align: center;">S810-004202</p> |  <p style="text-align: center;">S810-104202</p> |

| No. of pin | Receptacle connector (female) | Plug connector (male) |
|------------|---|--|
| 6 |  <p data-bbox="686 638 837 672">S810-006202</p> |  <p data-bbox="1244 638 1396 672">S810-106202</p> |
| 8 |  <p data-bbox="686 1041 837 1075">S810-008202</p> |  <p data-bbox="1244 1041 1396 1075">S810-108202</p> |

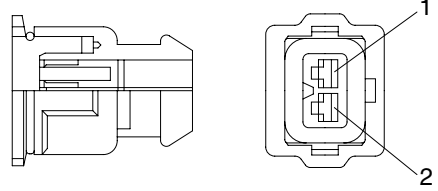
5) 375 FASTEN TYPE CONNECTOR

| No. of pin | Receptacle connector (female) | Plug connector (male) |
|------------|--|---|
| 2 |  <p style="text-align: center;">S810-002402</p> |  <p style="text-align: center;">S810-102402</p> |

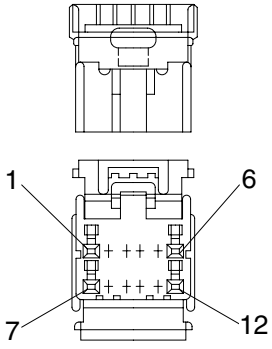
6) AMP ECONOSEAL CONNECTOR

| No. of pin | Receptacle connector (female) | Plug connector (male) |
|------------|--|---|
| 36 |  <p style="text-align: center;">344111-1</p> |  <p style="text-align: center;">344108-1</p> |

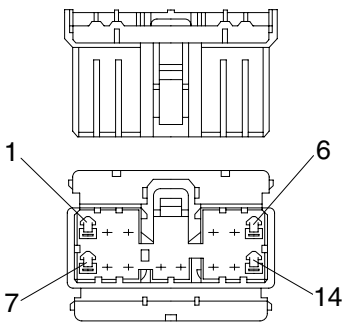
7) AMP TIMER CONNECTOR

| No. of pin | Receptacle connector (female) | Plug connector (male) |
|------------|--|-----------------------|
| 2 |  <p style="text-align: center;">85202-1</p> | |

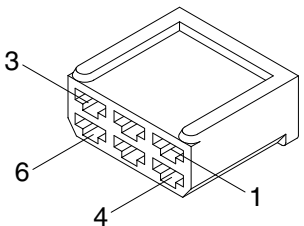
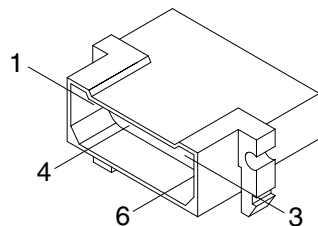
8) AMP 040 MULTILOCK CONNECTOR

| No. of pin | Receptacle connector (female) | Plug connector (male) |
|------------|--|-----------------------|
| 12 |  <p style="text-align: right;">174045-2</p> | |

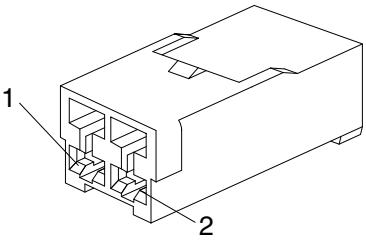
9) AMP 070 MULTILOCK CONNECTOR

| No. of pin | Receptacle connector (female) | Plug connector (male) |
|------------|---|-----------------------|
| 14 |  <p style="text-align: right;">173852</p> | |

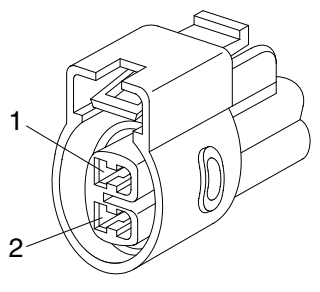
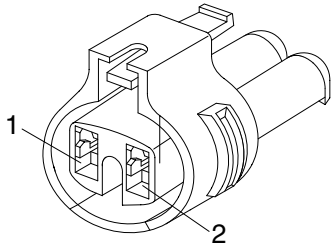
10) AMP FASTIN - FASTON CONNECTOR

| No. of pin | Receptacle connector (female) | Plug connector (male) |
|------------|--|---|
| 6 |  <p style="text-align: right;">925276-0</p> |  <p style="text-align: right;">480003-9</p> |

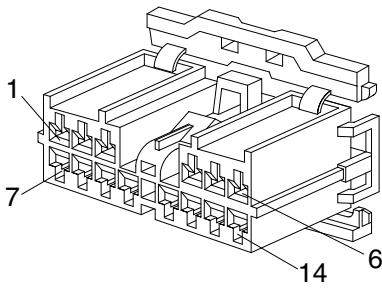
11) KET 090 CONNECTOR

| No. of pin | Receptacle connector (female) | Plug connector (male) |
|------------|---|-----------------------|
| 2 |  <p data-bbox="710 683 837 705">MG610070</p> | |

12) KET 090 WP CONNECTORS

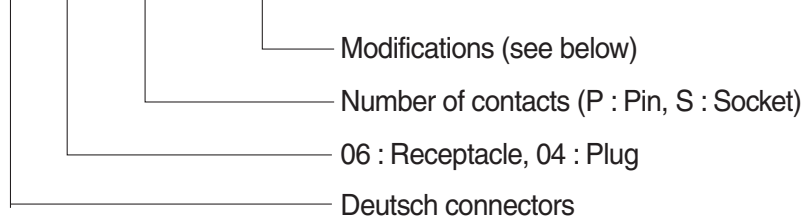
| No. of pin | Receptacle connector (female) | Plug connector (male) |
|------------|---|-----------------------|
| 2 |  <p data-bbox="710 1288 837 1310">MG640605</p> | |
| 2 |  <p data-bbox="710 1691 837 1713">MG640795</p> | |

13) KET SDL CONNECTOR

| No. of pin | Receptacle connector (female) | Plug connector (male) |
|------------|---|-----------------------|
| 14 |  <p data-bbox="710 683 837 705">MG610406</p> | |

14) DEUTSCH DT CONNECTORS

DT 06 - 3S - ★★☆☆



※ Modification

E003 : Standard end cap - gray

E004 : Color of connector to be black

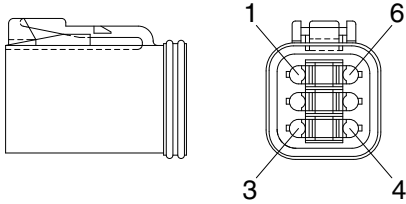
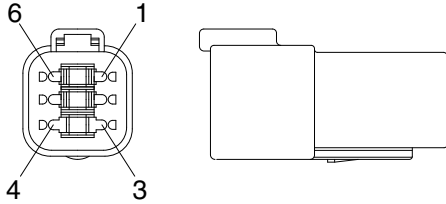
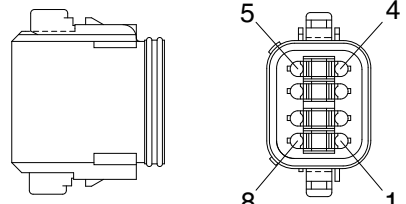
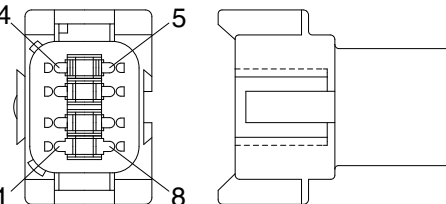
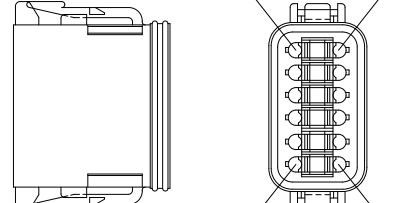
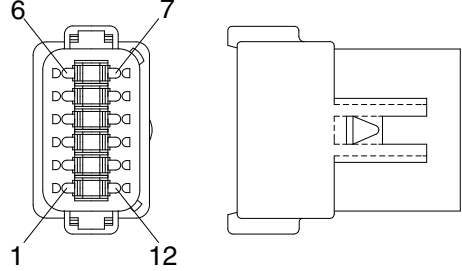
E005 : Combination - E004 & E003

EP04 : End cap

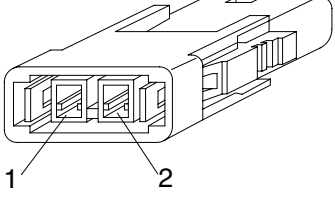
EP06 : Combination P012 & EP04

P012 : Front seal enhancement - connectors color to black for 2, 3, 4 & 6pin

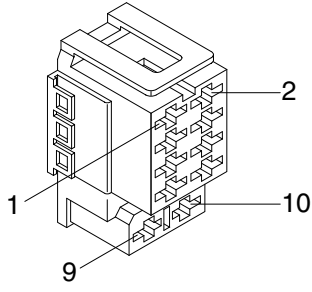
| No. of pin | Receptacle connector (female) | Plug connector (male) |
|------------|-------------------------------|-----------------------|
| 2 | <p>DT06-2S</p> | <p>DT04-2P</p> |
| 3 | <p>DT06-3S</p> | <p>DT04-3P</p> |
| 4 | <p>DT06-4S</p> | <p>DT04-4P</p> |

| No. of pin | Receptacle connector (female) | Plug connector (male) |
|------------|---|--|
| 6 |  <p style="text-align: center;">DT06-6S</p> |  <p style="text-align: center;">DT04-6P</p> |
| 8 |  <p style="text-align: center;">DT06-8S</p> |  <p style="text-align: center;">DT04-8P</p> |
| 12 |  <p style="text-align: center;">DT06-12S</p> |  <p style="text-align: center;">DT04-12P</p> |

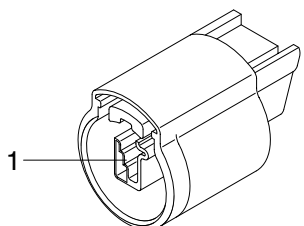
15) MOLEX 2CKTS CONNECTOR

| No. of pin | Receptacle connector (female) | Plug connector (male) |
|------------|--|-----------------------|
| 2 |  <p style="text-align: right;">35215-0200</p> | |

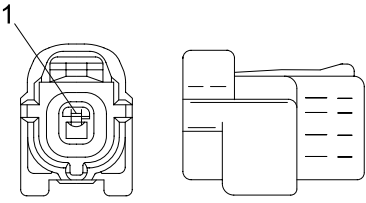
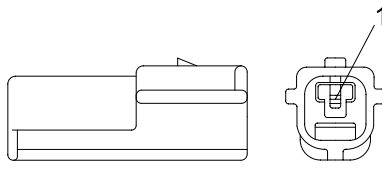
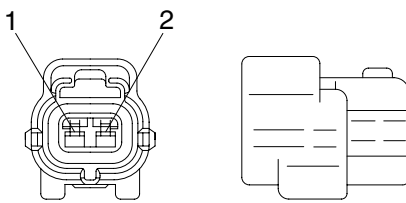
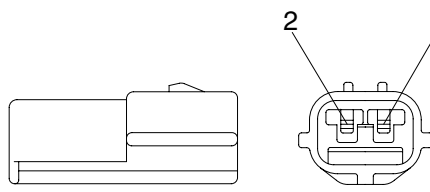
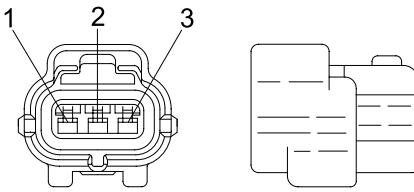
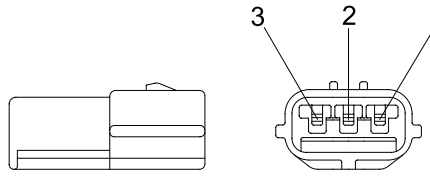
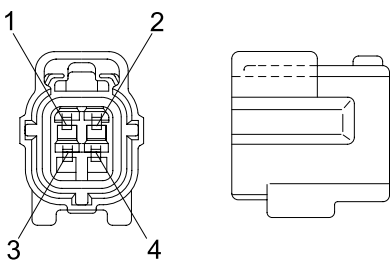
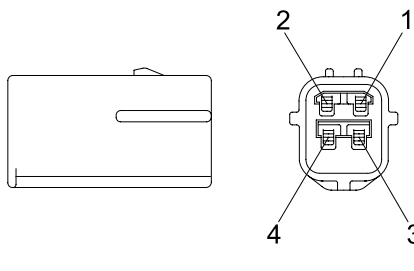
16) ITT SWF CONNECTOR

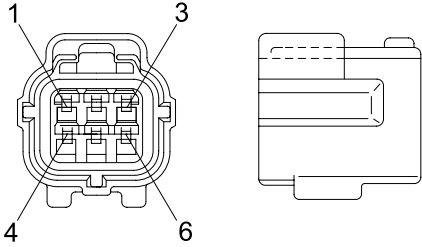
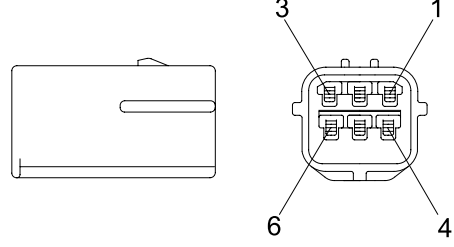
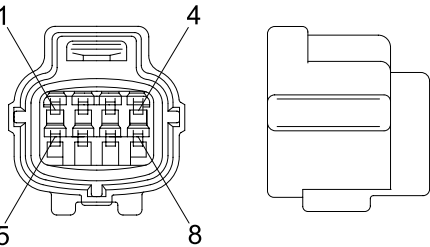
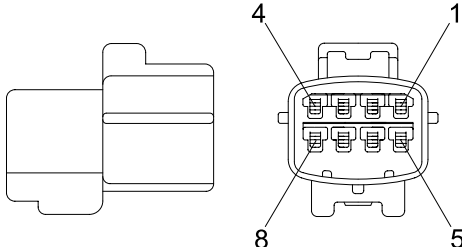
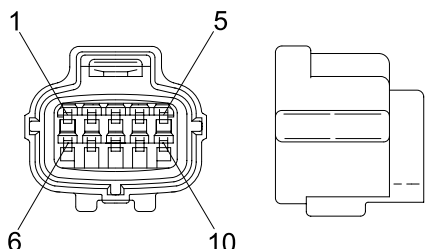
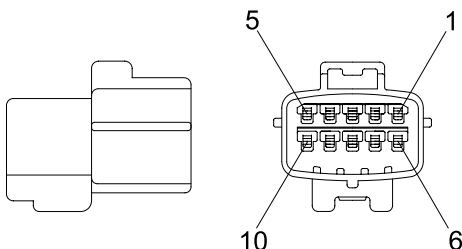
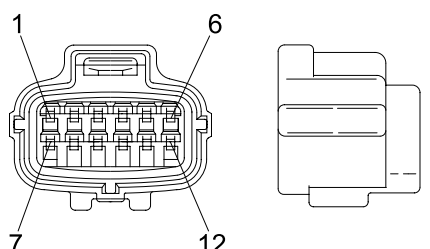
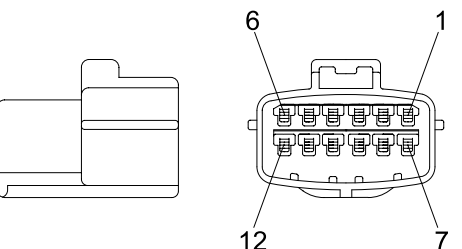
| No. of pin | Receptacle connector (female) | Plug connector (male) |
|------------|--|-----------------------|
| 10 |  <p style="text-align: right;">SWF593757</p> | |

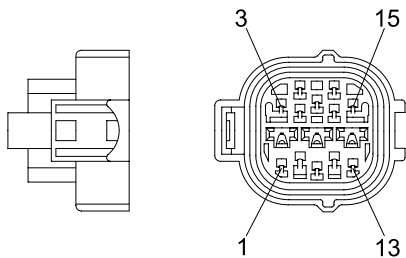
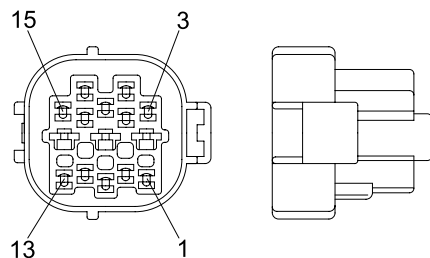
17) MWP NMWP CONNECTOR

| No. of pin | Receptacle connector (female) | Plug connector (male) |
|------------|---|-----------------------|
| 1 |  <p style="text-align: right;">NMWP01F-B</p> | |

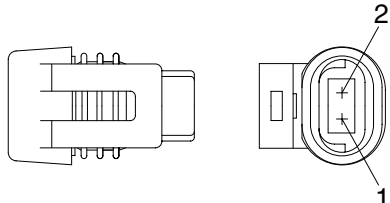
18) ECONOSEAL J TYPE CONNECTORS

| No. of pin | Receptacle connector (female) | Plug connector (male) |
|------------|--|---|
| 1 |  <p style="text-align: center;">S816-001002</p> |  <p style="text-align: center;">S816-101002</p> |
| 2 |  <p style="text-align: center;">S816-002002</p> |  <p style="text-align: center;">S816-102002</p> |
| 3 |  <p style="text-align: center;">S816-003002</p> |  <p style="text-align: center;">S816-103002</p> |
| 4 |  <p style="text-align: center;">S816-004002</p> |  <p style="text-align: center;">S816-104002</p> |

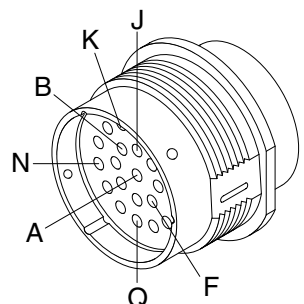
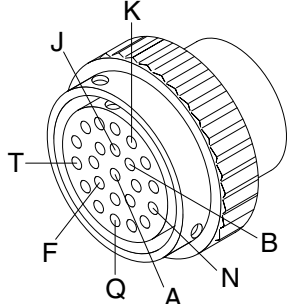
| No. of pin | Receptacle connector (female) | Plug connector (male) |
|------------|--|---|
| 6 |  <p style="text-align: center;">S816-006002</p> |  <p style="text-align: center;">S816-106002</p> |
| 8 |  <p style="text-align: center;">S816-008002</p> |  <p style="text-align: center;">S816-108002</p> |
| 10 |  <p style="text-align: center;">S816-010002</p> |  <p style="text-align: center;">S816-110002</p> |
| 12 |  <p style="text-align: center;">S816-012002</p> |  <p style="text-align: center;">S816-112002</p> |

| No. of pin | Receptacle connector (female) | Plug connector (male) |
|------------|--|--|
| 15 |  <p style="text-align: right;">368301-1</p> |  <p style="text-align: right;">2-85262-1</p> |

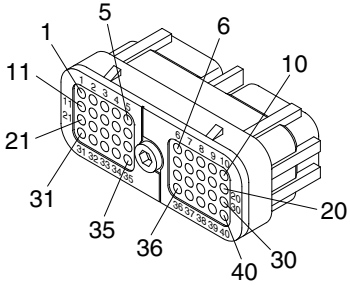
19) METRI-PACK TYPE CONNECTOR

| No. of pin | Receptacle connector (female) | Plug connector (male) |
|------------|---|-----------------------|
| 2 |  <p style="text-align: right;">12040753</p> | |

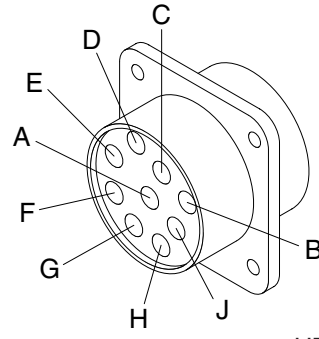
20) DEUTSCH HD30 CONNECTOR

| No. of pin | Receptacle connector (female) | Plug connector (male) |
|------------|--|---|
| 23 |  <p style="text-align: right;">HD36-24-23SN</p> |  <p style="text-align: right;">HD34-24-23PN</p> |

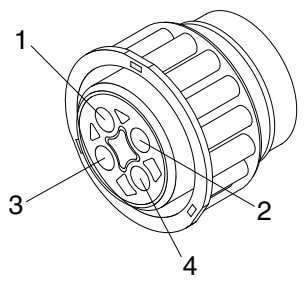
21) DEUTSCH MCU CONNECTOR

| No. of pin | Receptacle connector (Female) | Plug connector (Male) |
|------------|--|-----------------------|
| 40 |  <p style="text-align: right;">DRC26-40SA/B</p> | |

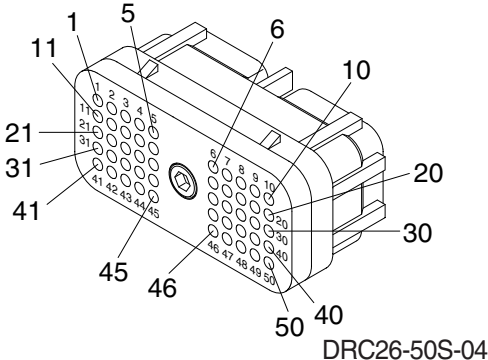
22) DEUTSCH SERVICE TOOL CONNECTOR

| No. of pin | Receptacle connector (Female) | Plug connector (Male) |
|------------|---|-----------------------|
| 9 |  <p style="text-align: right;">HD10-9-96P</p> | |

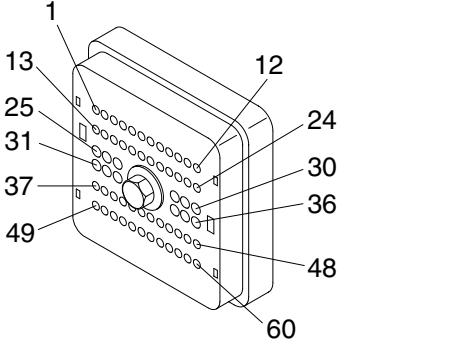
23) AMP FUEL WARMER CONNECTOR

| No. of pin | Receptacle connector (Female) | Plug connector (Male) |
|------------|--|-----------------------|
| 4 |  <p style="text-align: right;">2-967325-3</p> | |

24) DEUTSCH ENGINE ECM CONNECTOR

| No. of pin | Receptacle connector (Female) | Plug connector (Male) |
|------------|--|-----------------------|
| 50 |  <p style="text-align: right;">DRC26-50S-04</p> | |

25) DEUTSCH INTERMEDIATE CONNECTOR

| No. of pin | Receptacle connector (Female) | Plug connector (Male) |
|------------|---|-----------------------|
| 60 |  <p style="text-align: right;">DRB16-60SAE-L018</p> | |