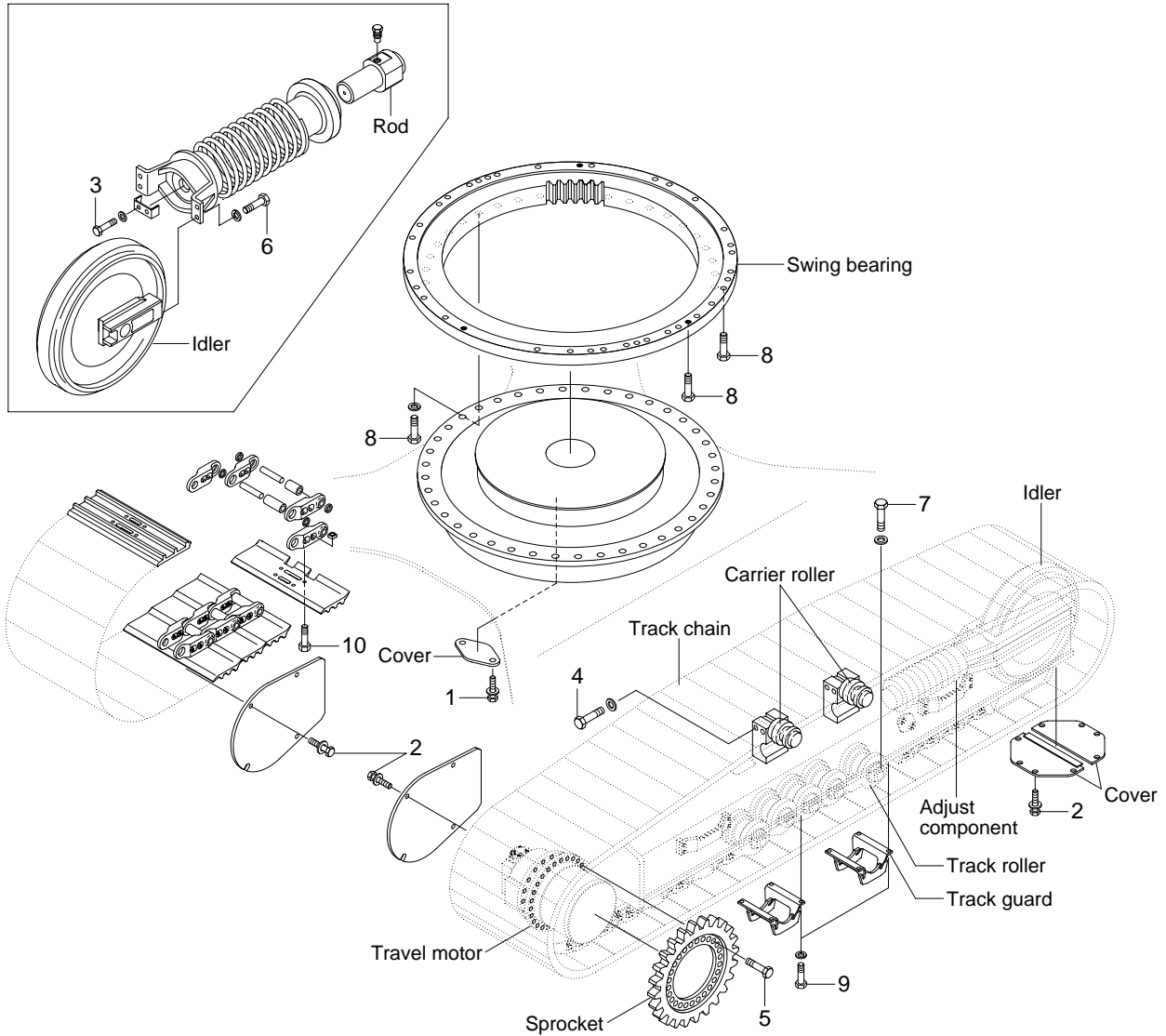


GROUP 5 UNDERCARRIAGE

ADJUST COMPONENT



210N79CM08

· Tightening torque

Item	Size	kgf · m	lbf · ft
1	M10 × 1.5	6.9 ± 1.4	49.9 ± 10.1
2	M12 × 1.75	12.8 ± 3.0	92.6 ± 21.7
3	M12 × 1.75	15 ± 0.5	108 ± 3.6
4	M16 × 2.0	23 ± 2.5	166 ± 18.1
5	M16 × 2.0	26 ± 4.0	188 ± 28.9

Item	Size	kgf · m	lbf · ft
6	M16 × 2.0	29.7 ± 4.5	215 ± 32.5
7	M20 × 2.5	54.7 ± 5.0	396 ± 36.2
8	M20 × 2.5	57.8 ± 6.4	418 ± 46.3
9	M20 × 2.5	57.9 ± 8.7	419 ± 62.9
10	M20 × 2.5	78 ± 8.0	564 ± 57.9