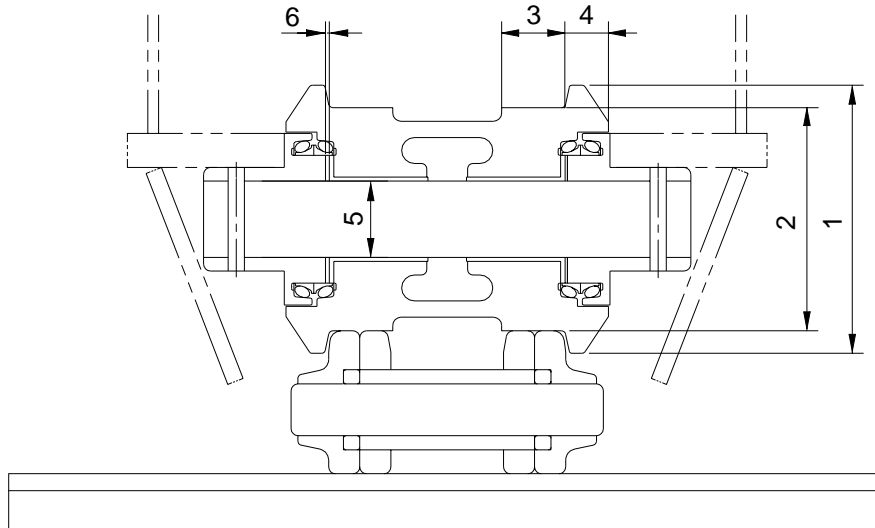


GROUP 3 TRACK AND WORK EQUIPMENT

1. TRACK

1) TRACK ROLLER

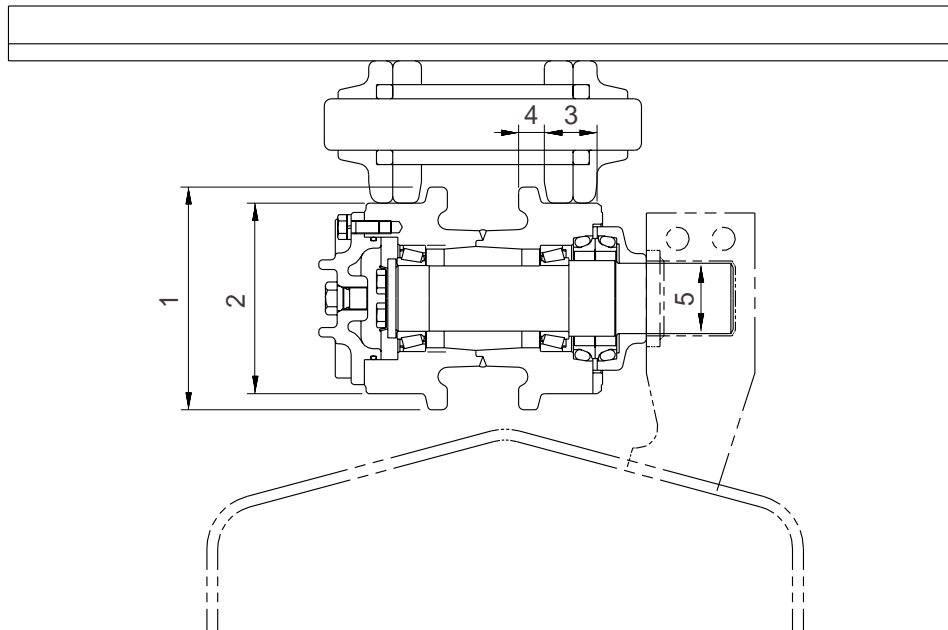


210N77MS17

Unit : mm

No.	Check item	Criteria				Remedy
		Standard size		Repair limit		
1	Outside diameter of flange	Ø200		-		Rebuild or replace
2	Outside diameter of tread	Ø160		Ø148		
3	Width of tread	48		54		
4	Width of flange	21.5		15.5		
5	Clearance between shaft and bushing	Standard size & tolerance		Standard clearance	Clearance limit	Replace bushing
		Shaft	Hole			
		Ø70 ^{-0.29} _{-0.33}	Ø70.1 ^{+0.046} ₀	0.39 to 0.476	2.0	
6	Side clearance of roller (Both side)	Standard clearance		Clearance limit		Replace
		0.2 to 1.2		2.0		

2) CARRIER ROLLER

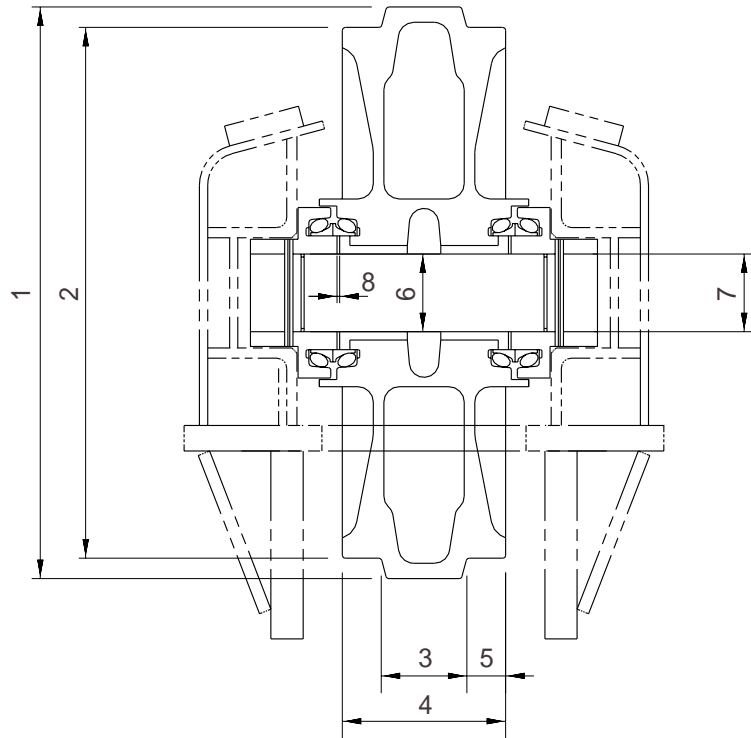


21037MS02

Unit : mm

No.	Check item	Criteria				Remedy	
		Standard size		Repair limit			
1	Outside diameter of flange	Ø169		-		Rebuild or replace	
2	Outside diameter of tread	Ø144		Ø134			
3	Width of tread	44		49			
4	Width of flange	17		-			
5	Clearance between shaft and support	Standard size	Tolerance		Standard clearance 0.15 to 0.40	Clearance limit 1.2	Replace bushing
		Ø55	Shaft	Hole			
			-0.05 -0.10	+0.3 +0.1			

3) IDLER

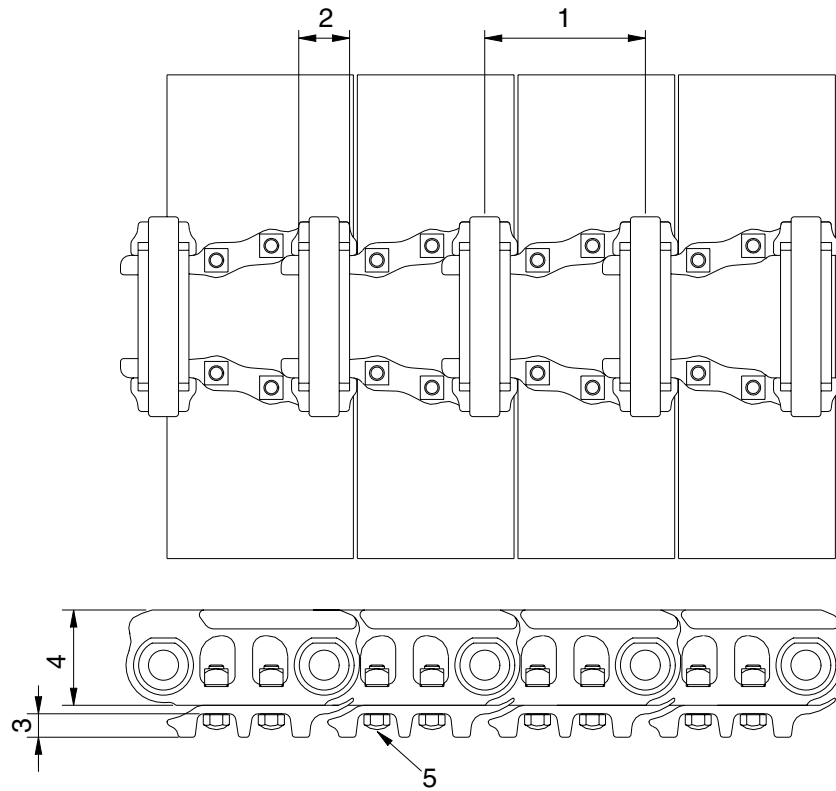


21037MS03

Unit : mm

No.	Check item	Criteria		Remedy		
		Standard size	Repair limit			
1	Outside diameter of protrusion	Ø560	-	Rebuild or replace		
2	Outside diameter of tread	Ø520	Ø514			
3	Width of protrusion	84	-			
4	Total width	160	-			
5	Width of tread	38	44			
6	Clearance between shaft and bushing	Standard size & tolerance		Standard clearance	Clearance limit	Replace bushing
		Shaft	Hole			
		Ø75 ⁰ _{-0.03}	Ø75.35 ^{+0.05} ₀	0.35 to 0.43	2.0	
7	Clearance between shaft and support	Ø75 ⁰ _{-0.03}	Ø75 ^{+0.07} _{+0.03}	0.03 to 0.1	1.2	Replace
8	Side clearance of idler (Both side)	Standard clearance		Clearance limit		Replace bushing
		0.4 to 1.2		2.0		

4) TRACK

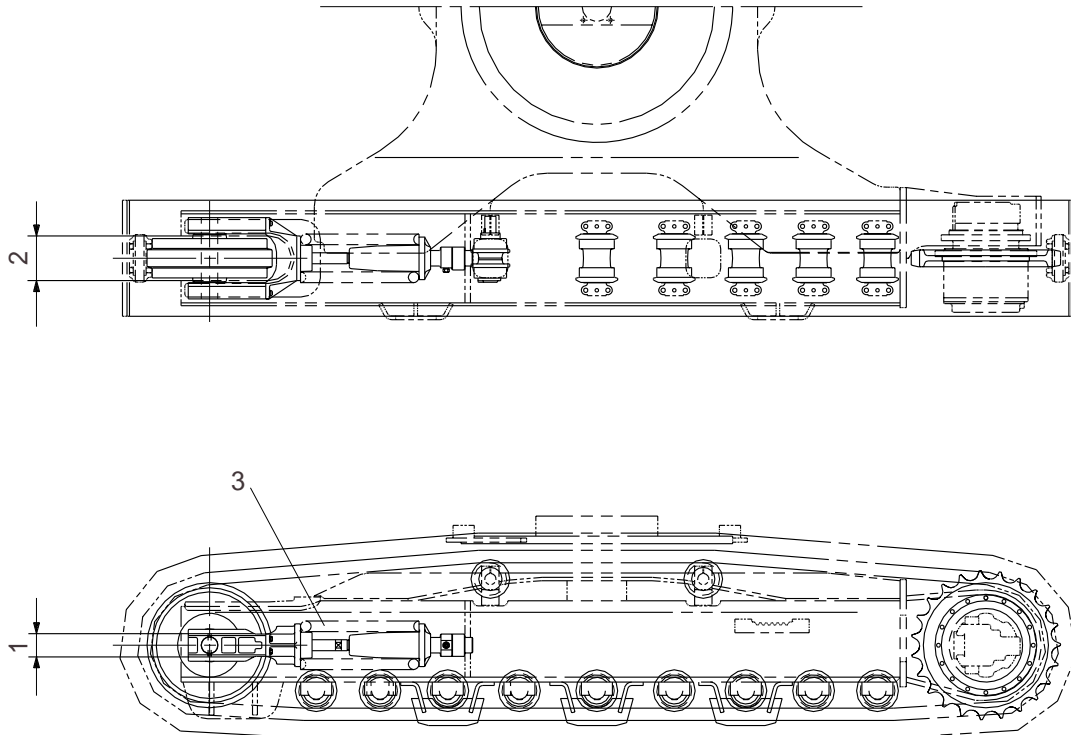


210N77MS18

Unit : mm

No.	Check item	Criteria		Remedy
		Standard size	Repair limit	
1	Link pitch	190	194.4	Turn or replace
2	Outside diameter of bushing	∅ 59	∅ 51	
3	Height of grouser	26	16	Rebuild or replace
4	Height of link	105	97	
5	Tightening torque	Initial tightening torque : $78 \pm 8 \text{ kgf} \cdot \text{m}$		Retighten

5) TRACK FRAME AND RECOIL SPRING

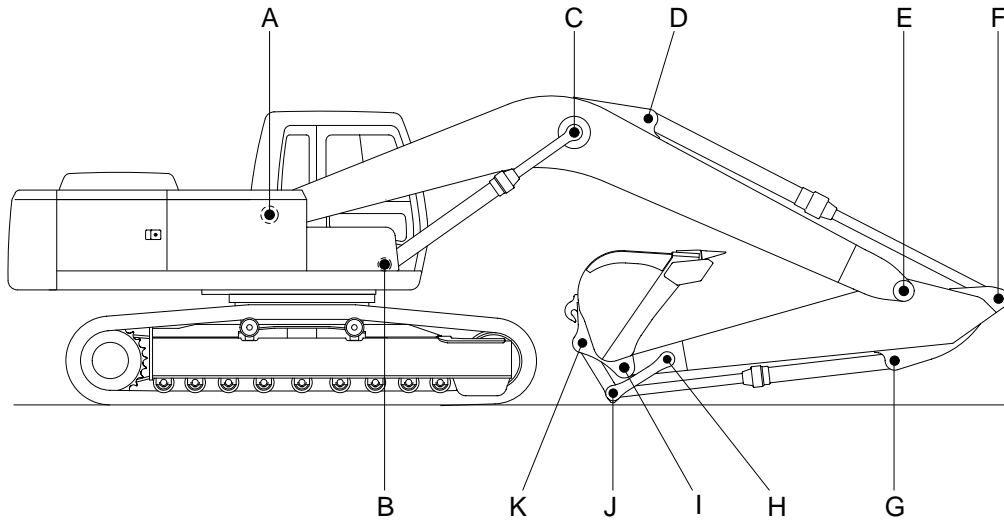


21037MS05

Unit : mm

No.	Check item	Criteria				Remedy	
			Standard size	Tolerance	Repair limit		
1	Vertical width of idler guide	Track frame	113	+2 0	117	Rebuild or replace	
		Idler support	110	-0.5 -1.0	106		
2	Horizontal width of idler guide	Track frame	272	+2 0	277		
		Idler support	270	+0.5 -0.5	267		
3	Recoil spring	Standard size			Repair limit		Replace
		Free length	Installation length	Installation load	Free length	Installation load	
		Ø235 x 515	431	13716kg	-	10973kg	

2. WORK EQUIPMENT



21077MS20

Unit : mm

Mark	Measuring point (Pin and Bushing)	Normal value	Pin		Bushing		Remedy & Remark
			Recomm. service limit	Limit of use	Recomm. service limit	Limit of use	
A	Boom Rear	90	89	88.5	90.5	91	Replace
B	Boom Cylinder Head	80	79	78.5	80.5	81	"
C	Boom Cylinder Rod	80	79	78.5	80.5	81	"
D	Arm Cylinder Head	80	79	78.5	80.5	81	"
E	Boom Front	90	89	88.5	90.5	91	"
F	Arm Cylinder Rod	80	79	78.5	80.5	81	"
G	Bucket Cylinder Head	80	79	78.5	80.5	81	"
H	Arm Link	70	69	68.5	70.5	71	"
I	Bucket and Arm Link	80	79	78.5	80.5	81	"
J	Bucket Cylinder Rod	80	79	78.5	80.5	81	"
K	Bucket Link	80	79	78.5	80.5	81	"