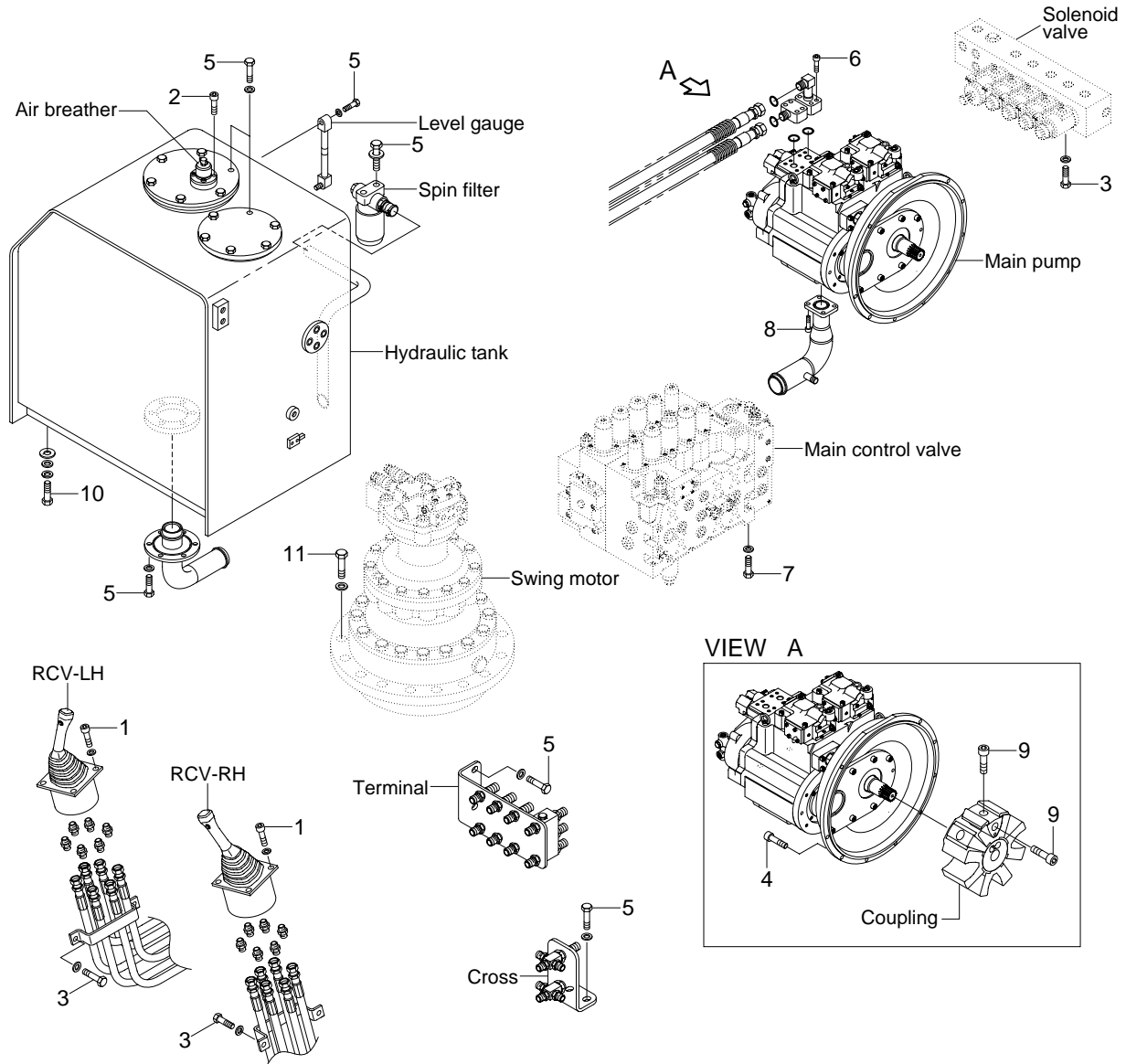


# GROUP 4 HYDRAULIC SYSTEM

## HYDRAULIC COMPONENTS MOUNTING 1



210N79CM05

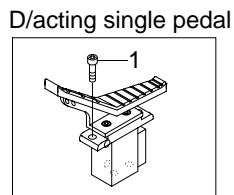
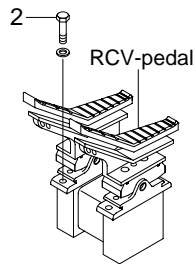
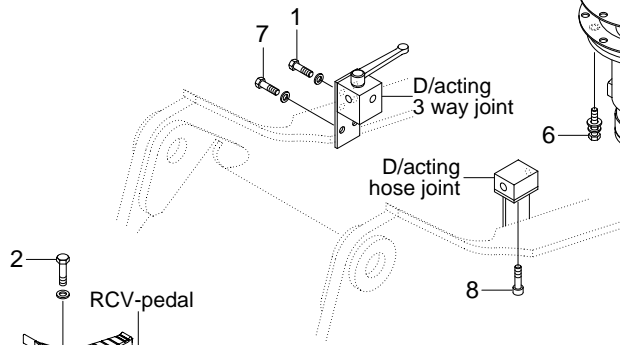
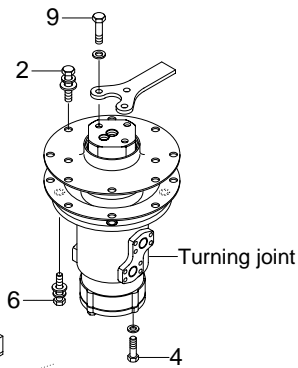
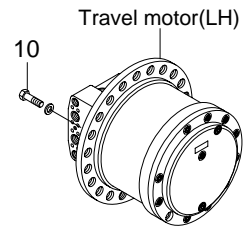
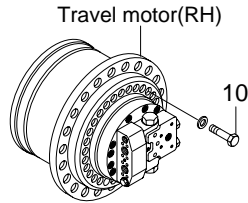
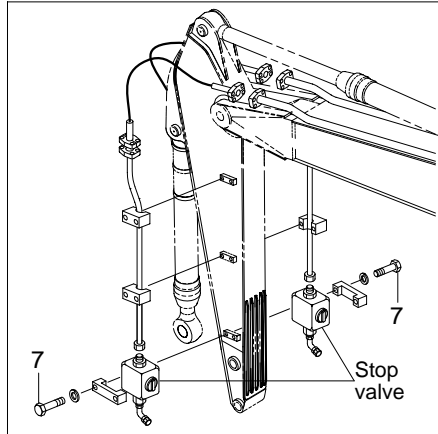
### · Tightening torque

| Item | Size       | kgf · m    | lbf · ft    |
|------|------------|------------|-------------|
| 1    | M 6 × 1.0  | 1.05 ± 0.2 | 7.6 ± 1.45  |
| 2    | M 6 × 1.0  | 1.44 ± 0.3 | 10.4 ± 2.2  |
| 3    | M 8 × 1.25 | 2.5 ± 0.5  | 18.1 ± 3.6  |
| 4    | M10 × 1.5  | 4.8 ± 0.3  | 34.7 ± 2.2  |
| 5    | M10 × 1.5  | 6.9 ± 1.4  | 49.9 ± 10.1 |
| 6    | M10 × 1.5  | 8.27 ± 1.7 | 59.8 ± 12.3 |

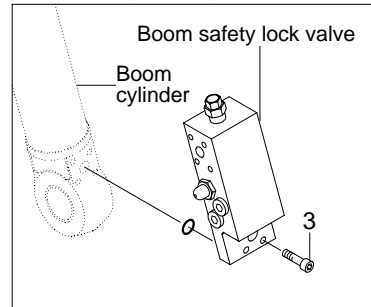
| Item | Size       | kgf · m    | lbf · ft   |
|------|------------|------------|------------|
| 7    | M12 × 1.75 | 12.2 ± 1.3 | 88.2 ± 9.4 |
| 8    | M12 × 1.75 | 14.7 ± 2.2 | 106 ± 15.9 |
| 9    | M18 × 2.5  | 32 ± 1.0   | 231 ± 7.2  |
| 10   | M20 × 2.5  | 46 ± 5.1   | 333 ± 36.9 |
| 11   | M20 × 2.5  | 57.9 ± 8.7 | 419 ± 62.9 |
| -    | -          | -          | -          |

## HYDRAULIC COMPONENTS MOUNTING 2

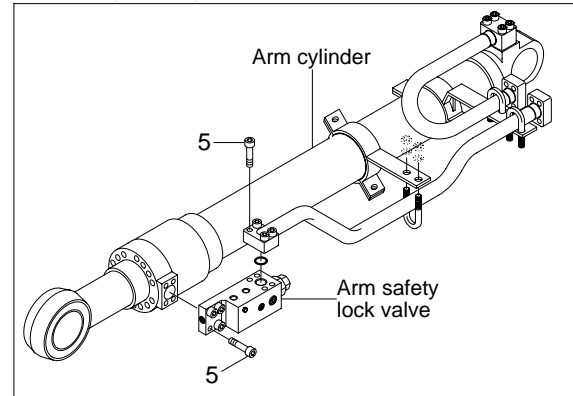
### Double acting attachment piping



### Boom safety lock system



### Arm safety lock system



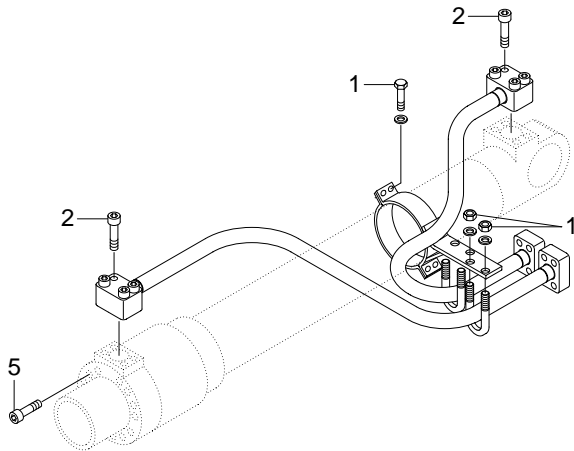
210N79CM06

### · Tightening torque

| Item | Size       | kgf · m      | lbf · ft    |
|------|------------|--------------|-------------|
| 1    | M 8 × 1.25 | 4.05 ± 0.8   | 29.3 ± 5.8  |
| 2    | M10 × 1.5  | 6.9 ± 1.4    | 49.9 ± 10.1 |
| 3    | M10 × 1.5  | 8.27 ± 1.7   | 59.8 ± 12.3 |
| 4    | M12 × 1.75 | 11.25 ± 1.25 | 81.4 ± 9.0  |
| 5    | M12 × 1.75 | 12.0 ± 1.3   | 86.8 ± 9.4  |

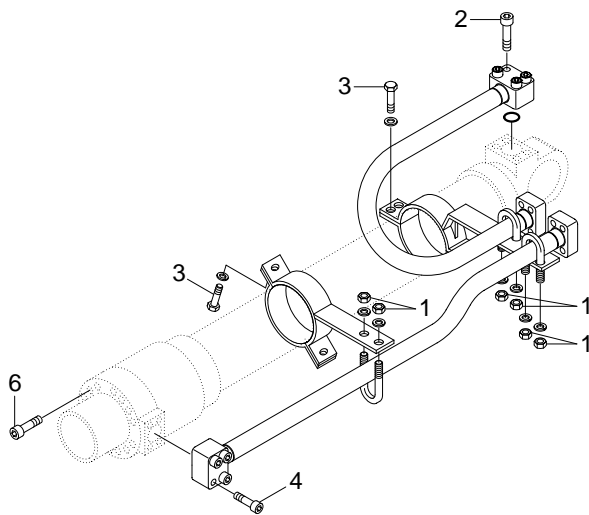
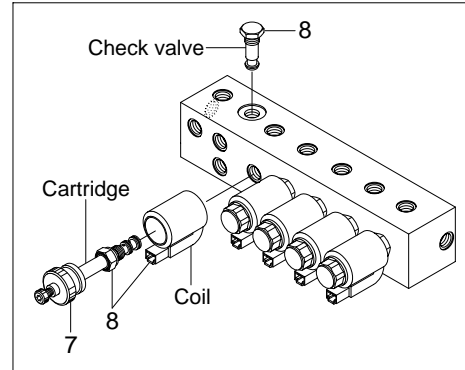
| Item | Size       | kgf · m    | lbf · ft    |
|------|------------|------------|-------------|
| 6    | M12 × 1.75 | 12.3 ± 1.3 | 88.9 ± 9.4  |
| 7    | M12 × 1.75 | 12.8 ± 3.0 | 92.6 ± 21.7 |
| 8    | M12 × 1.75 | 14.7 ± 2.2 | 106 ± 15.9  |
| 9    | M14 × 2.0  | 19.6 ± 2.9 | 142 ± 21.0  |
| 10   | M16 × 2.0  | 23.0 ± 2.5 | 166 ± 18.1  |

## HYDRAULIC COMPONENTS MOUNTING 3

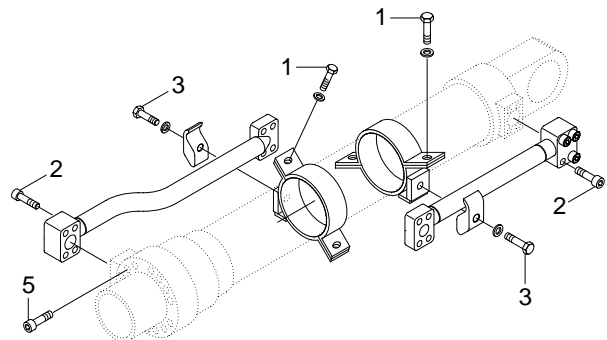


BOOM CYLINDER

Solenoid valve



ARM CYLINDER



BUCKET CYLINDER

210N79CM07

· Tightening torque

| Item | Size       | kgf · m   | lbf · ft   |
|------|------------|-----------|------------|
| 1    | M10 × 1.5  | 3.2 ± 0.3 | 23.1 ± 2.2 |
| 2    | M10 × 1.5  | 5.4 ± 0.5 | 39.1 ± 3.6 |
| 3    | M12 × 1.75 | 5.5 ± 0.6 | 39.8 ± 4.3 |
| 4    | M12 × 1.75 | 9.4 ± 1.0 | 68.0 ± 7.2 |

| Item | Size      | kgf · m   | lbf · ft   |
|------|-----------|-----------|------------|
| 5    | M16 × 2.0 | 23 ± 2.0  | 166 ± 14.5 |
| 6    | M18 × 2.5 | 32 ± 3.0  | 232 ± 21.7 |
| 7    | -         | 0.5 ± 0.1 | 3.6 ± 0.7  |
| 8    | -         | 2.8 ± 0.2 | 20.3 ± 1.4 |