

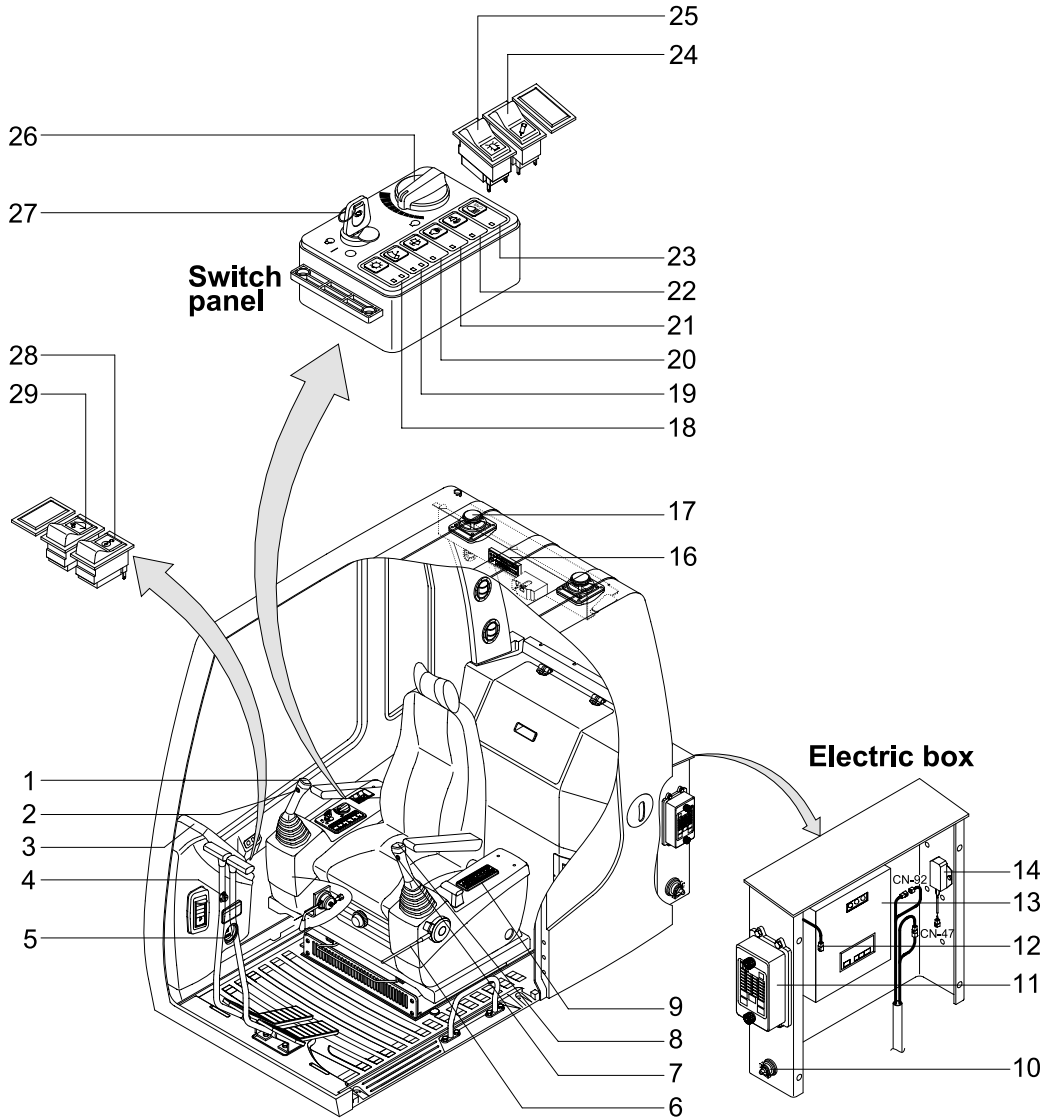
SECTION 4 ELECTRICAL SYSTEM

Group 1 Component Location	4-1
Group 2 Electrical Circuit	4-3
Group 3 Electrical Component Specification	4-19
Group 4 Connectors	4-28

SECTION 4 ELECTRICAL SYSTEM

GROUP 1 COMPONENT LOCATION

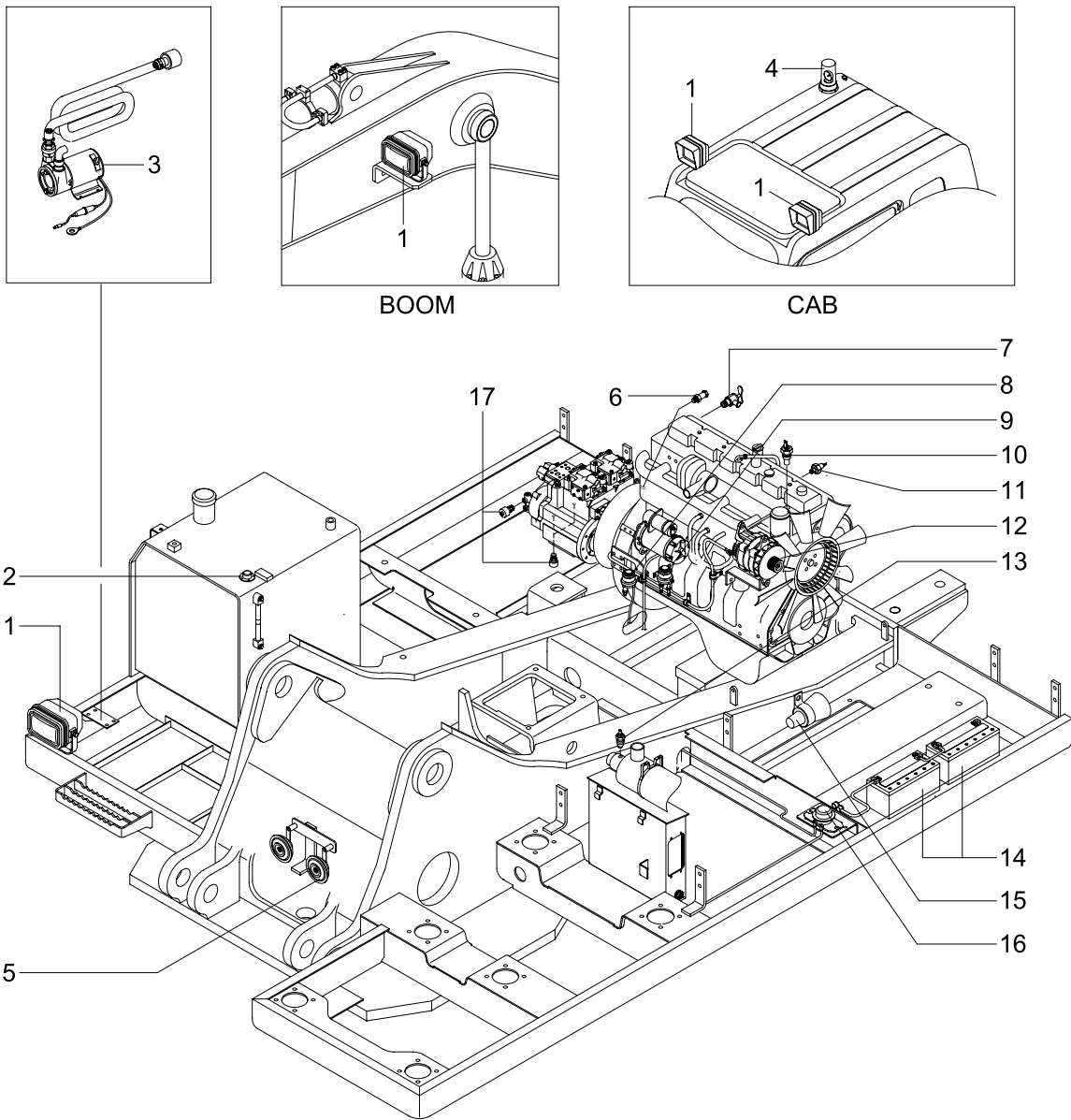
1. LOCATION 1



210N74EL01

- | | | | | | |
|----|--------------------------|----|------------------------|----|--------------------------|
| 1 | Horn switch | 11 | Fuse box | 21 | Preheat switch |
| 2 | Breaker operation switch | 12 | RS232 serial connector | 22 | Travel alarm switch |
| 3 | Cluster | 13 | CPU controller | 23 | Cab light switch |
| 4 | Cigar lighter | 14 | Prolix resistor | 24 | Breaker selection switch |
| 5 | Hour meter | 16 | Cassette & radio | 25 | Beacon switch |
| 6 | Safety lever | 17 | Speaker | 26 | Accel dial |
| 7 | Power max switch | 18 | Main light switch | 27 | Start switch |
| 8 | One touch decel switch | 19 | Wiper switch | 28 | Overload switch |
| 9 | Air conditioner switch | 20 | Washer switch | 29 | Quick clamp switch |
| 10 | Master switch | | | | |

2. LOCATION 2



210N74EL02

- | | | | | | |
|---|------------------|----|----------------------------|----|---------------------|
| 1 | Lamp | 7 | Heater valve | 13 | Air cleaner switch |
| 2 | Fuel sender | 8 | Start relay | 14 | Battery |
| 3 | Fuel filler pump | 9 | Heater relay | 15 | Travel alarm buzzer |
| 4 | Beacon lamp | 10 | Temp sender | 16 | Battery relay |
| 5 | Horn | 11 | Engine oil pressure switch | 17 | Pressure sender |
| 6 | Speed sensor | 12 | Alternator | | |