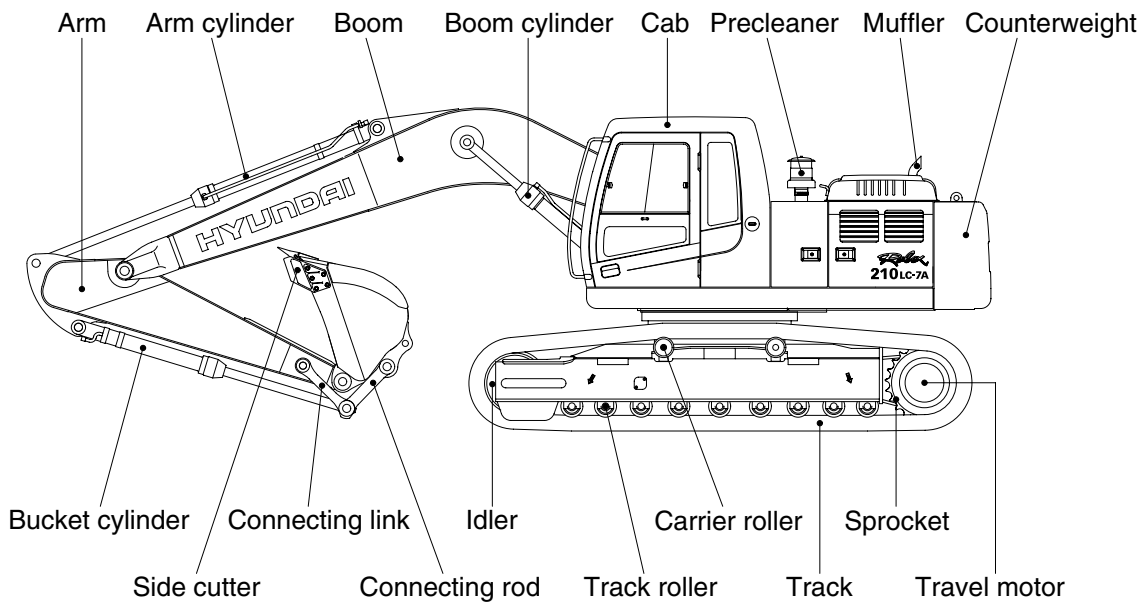
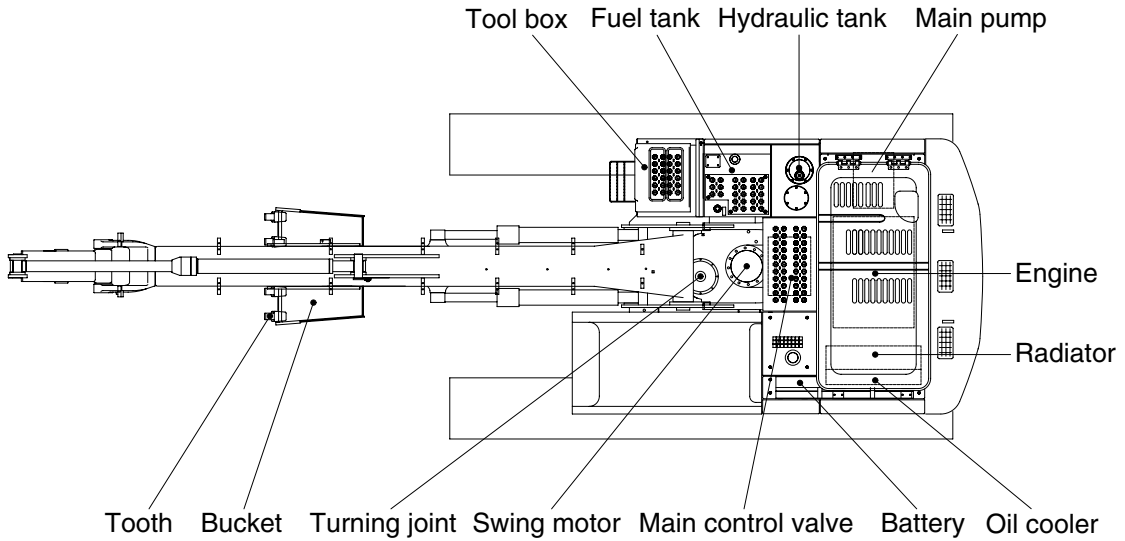


GROUP 2 SPECIFICATIONS

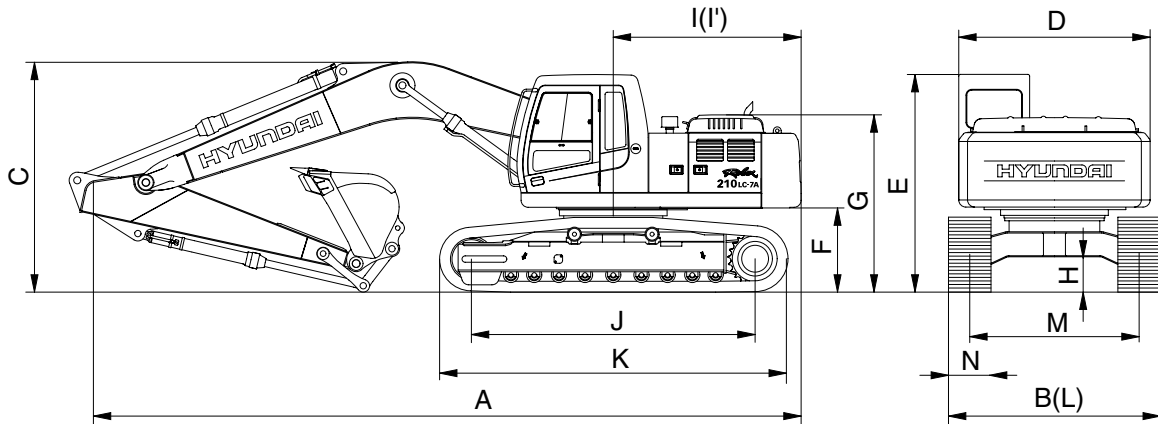
1. MAJOR COMPONENT



2107A2SP01

2. SPECIFICATIONS

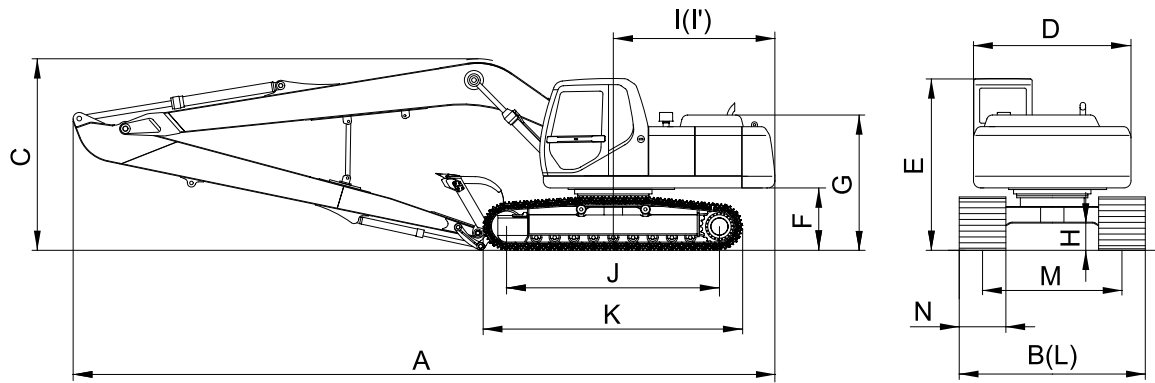
1) ROBEX 210LC-7A



2107A2SP02

Description		Unit	Specification
Operating weight		kg(lb)	21700(47840)
Bucket capacity(SAE heaped), standard		m ³ (yd ³)	0.92(1.20)
Overall length	A	mm(ft-in)	9520(31' 3")
Overall width, with 600mm shoe	B		2990(9' 10")
Overall height	C		2990(9' 10")
Superstructure width	D		2700(8' 10")
Overall height of cab	E		2920(9' 7")
Ground clearance of counterweight	F		1060(3' 6")
Engine cover height	G		2320(7' 7")
Minimum ground clearance	H		480(1' 7")
Rear-end distance	I		2770(9' 1")
Rear-end swing radius	I'		2830(9' 3")
Distance between tumblers	J		3650(12' 0")
Undercarriage length	K		4440(14' 7")
Undercarriage width	L		2990(9' 10")
Track gauge	M		2390(7' 10")
Track shoe width, standard	N		600(24")
Travel speed(Low/high)			km/hr(mph)
Swing speed		rpm	12.0
Gradeability		Degree(%)	35(70)
Ground pressure(600mm shoe)		kgf/cm ² (psi)	0.46(6.54)

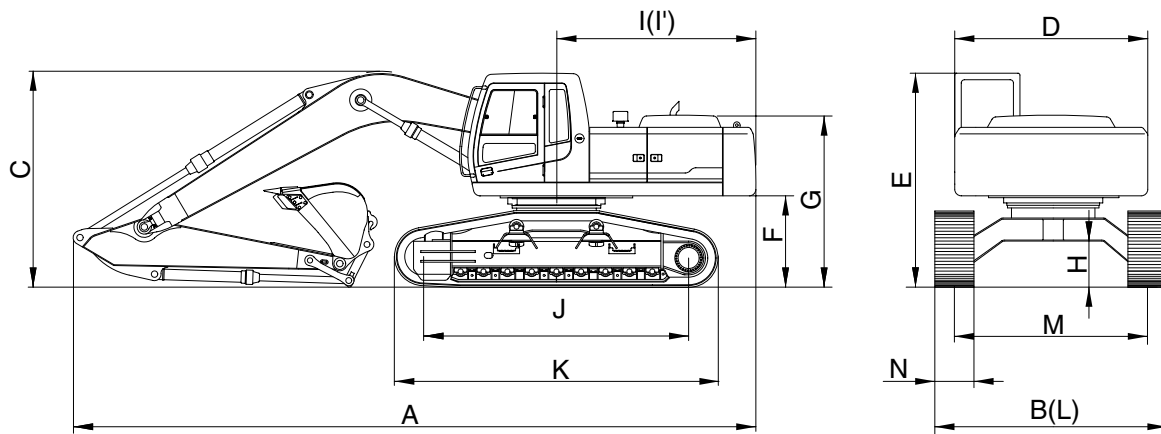
2) R210LC-7A LONG REACH



21072SP06

Description		Unit	Specification
Operating weight		kg(lb)	24360(53700)
Bucket capacity(SAE heaped), standard		m ³ (yd ³)	0.51(0.67)
Overall length	A	mm(ft-in)	12030(39' 6")
Overall width, with 800mm shoe	B		3190(10' 6")
Overall height	C		3280(10' 9")
Superstructure width	D		2700(8' 10")
Overall height of cab	E		2920(9' 7")
Ground clearance of counterweight	F		1060(3' 6")
Engine cover height	G		2320(7' 7")
Minimum ground clearance	H		480(1' 7")
Rear-end distance	I		2770(9' 1")
Rear-end swing radius	I'		2830(9' 3")
Distance between tumbler	J		3650(12' 0")
Undercarriage length	K		4440(14' 7")
Undercarriage width	L		3190(10' 6")
Track gauge	M		2390(7' 10")
Track shoe width, standard	N		800(31' 5")
Travel speed(Low/high)			km/hr(mph)
Swing speed		rpm	12.0
Gradeability		Degree(%)	35(70)
Ground pressure(800mm shoe)		kgf/cm ² (psi)	0.42(5.97)

3) R210LC-7A HIGH WALKER

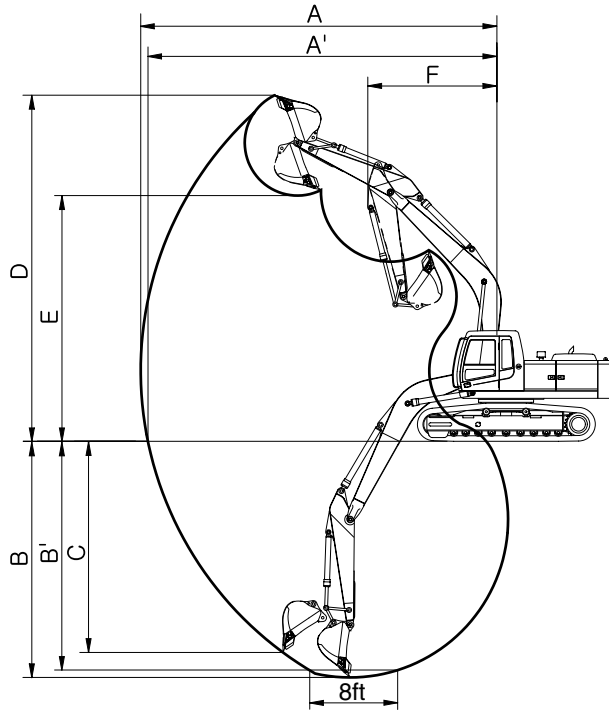


29072SP07

Description		Unit	Specification
Operating weight		kg(lb)	23160(51060)
Bucket capacity(SAE heaped), standard		m ³ (yd ³)	0.92(1.20)
Overall length	A	mm(ft-in)	9470(31' 1")
Overall width, with 600mm shoe	B		3395(11' 2")
Overall height	C		3080(10' 1")
Superstructure width	D		2700(8' 10")
Overall height of cab	E		3100(10' 2")
Ground clearance of counterweight	F		1240(4' 1")
Engine cover height	G		2500(8' 2")
Minimum ground clearance	H		660(2' 2")
Rear-end distance	I		2770(9' 1")
Rear-end swing radius	I'		2830(9' 3")
Distance between tumbler	J		3650(12' 0")
Undercarriage length	K		4440(14' 7")
Undercarriage width	L		3395(11' 2")
Track gauge	M		2795(9' 2")
Track shoe width, standard	N		600(24")
Travel speed(Low/high)		km/hr(mph)	3.4/5.3(2.1/3.3)
Swing speed		rpm	12.0
Gradeability		Degree(%)	35(70)
Ground pressure(600mm shoe)		kgf/cm ² (psi)	0.49(6.97)

3. WORKING RANGE

1) R210LC-7A [5.68m(18' 8") BOOM]



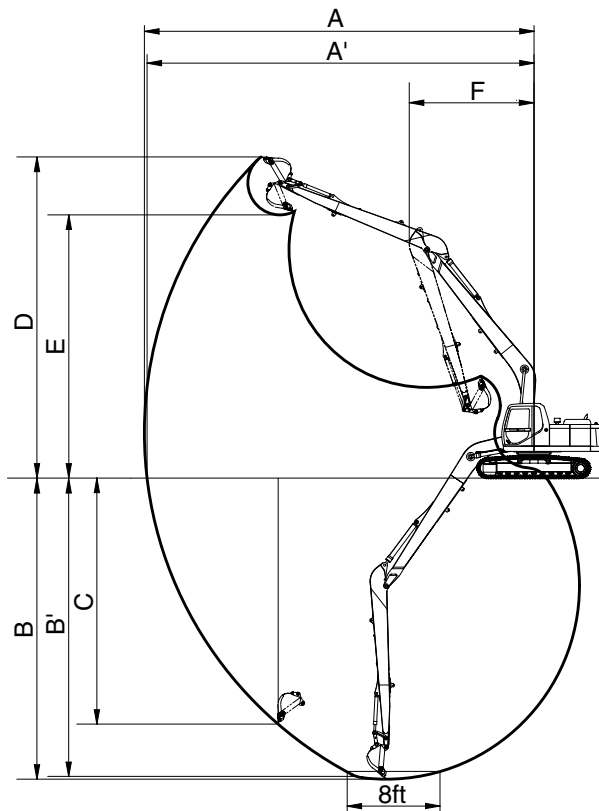
21072SP03

Description		2.0m(6' 7") Arm	2.40m(7' 10") Arm	*2.92m(9' 7") Arm	3.90m(12' 10") Arm
Max digging reach	A	9140mm (30' 0")	9500mm (31' 2")	9940mm (32' 7")	10910mm (35' 10")
Max digging reach on ground	A'	8960mm (29' 5")	9330mm (30' 7")	9780mm (32' 1")	10770mm (35' 4")
Max digging depth	B	5820mm (19' 1")	6220mm (20' 5")	6740mm (22' 1")	7720mm (25' 4")
Max digging depth(8ft level)	B'	5580mm (18' 4")	6010mm (19' 9")	6550mm (21' 6")	7580mm (24' 10")
Max vertical wall digging depth	C	5280mm (17' 4")	5720mm (18' 9")	6120mm (20' 1")	7240mm (23' 9")
Max digging height	D	9140mm (30' 0")	9340mm (30' 8")	9470mm (31' 1")	10110mm (33' 2")
Max dumping height	E	6330mm (20' 9")	6520mm (21' 5")	6670mm (21' 11")	7290mm (23' 11")
Min swing radius	F	3750mm (12' 4")	3740mm (12' 3")	3640mm (11' 11")	3650mm (11' 12")
Bucket digging force	SAE	133 [146] kN	133 [146] kN	133 [146] kN	133 [146] kN
		13600 [14840] kgf	13600 [14840] kgf	13600 [14840] kgf	13600 [14840] kgf
		29980 [32710] lbf	29980 [32710] lbf	29980 [32710] lbf	29980 [32710] lbf
	ISO	152 [166] kN	152 [166] kN	152 [166] kN	152 [166] kN
		15500 [16910] kgf	15500 [16910] kgf	15500 [16910] kgf	15500 [16910] kgf
		34170 [37280] lbf	34170 [37280] lbf	34170 [37280] lbf	34170 [37280] lbf
Arm digging force	SAE	135 [148] kN	113 [123] kN	97 [106] kN	79 [87] kN
		13800 [15050] kgf	11500 [12550] kgf	9900 [10800] kgf	8100 [8840] kgf
		30420 [33190] lbf	25350 [27650] lbf	21830 [23810] lbf	17860 [19480] lbf
	ISO	142 [155] kN	118 [128] kN	101 [110] kN	85 [93] kN
		14500 [15820] kgf	12000 [13090] kgf	10300 [11240] kgf	8700 [9490] kgf
		31970 [34880] lbf	26460 [28870] lbf	22710 [24770] lbf	19170 [20910] lbf

[] : Power boost

* : Standard

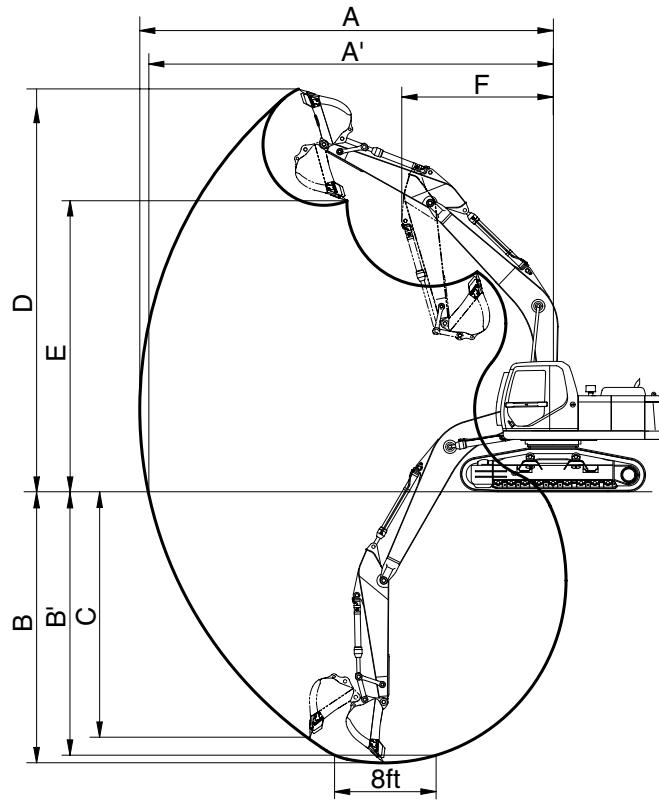
2) R210LC-7A LONG REACH [8.2m(26' 11") BOOM]



29072SP08

Description		6.3m(20' 8") Arm
Max digging reach	A	15220(50' 0")
Max digging reach on ground	A'	15120(49' 7")
Max digging depth	B	11760(38' 7")
Max digging depth (8ft level)	B'	11650(38' 3")
Max vertical wall digging depth	C	9610(31' 6")
Max digging height	D	12550(41' 2")
Max dumping height	E	10280(33' 8")
Min swing radius	F	4870(16' 0")
Bucket digging force	SAE	72.6 kN
		7400 kgf
		16310 lbf
	ISO	83.4 kN
		8500 kgf
		18740 lbf
Arm crowd force	SAE	49.0 kN
		5000 kgf
		11020 lbf
	ISO	50.0 kN
		5100 kgf
		11240 lbf

3) R210LC-7A HIGH WALKER [5.68m(18' 8") BOOM]



29072SP03

Description		2.0m(6' 7") Arm	2.4m(7' 10") Arm	2.92m(9' 7") Arm	3.90m(12' 10") Arm
Max digging reach	A	9140mm(30' 0")	9500mm(31' 2")	9940mm(32' 7")	10910mm(35'10")
Max digging reach on ground	A'	8920mm(29' 3")	9290mm(30' 6")	9740mm(31'11")	10730mm(35' 2")
Max digging depth	B	5630mm(18' 6")	6010mm(19' 9")	6550mm(21' 6")	7530mm(24' 8")
Max digging depth (8ft level)	B'	5390mm(17' 8")	5820mm(19' 1")	6360mm(20'10")	7390mm(24' 3")
Max vertical wall digging depth	C	5090mm(16' 8")	5630mm(18' 6")	5930mm(19' 5")	7050mm(23' 1")
Max digging height	D	9330mm(30' 7")	9530mm(31' 3")	9660mm(31' 8")	10300mm(33' 9")
Max dumping height	E	6520mm(21' 5")	6710mm(22' 0")	6860mm(22' 6")	7480mm(24' 6")
Min swing radius	F	3750mm(12' 4")	3740mm(12' 3")	3640mm(11'11")	3650mm(11'12")
Bucket digging force	SAE	133 [146] kN	133 [146] kN	133 [146] kN	133 [146] kN
		13600 [14840] kgf	13600 [14840] kgf	13600 [14840] kgf	13600 [14840] kgf
		29980 [32710] lbf	29980 [32710] lbf	29980 [32710] lbf	29980 [32710] lbf
	ISO	152 [166] kN	152 [166] kN	152 [166] kN	152 [166] kN
		15500 [16910] kgf	15500 [16910] kgf	15500 [16910] kgf	15500 [16910] kgf
		34170 [37280] lbf	34170 [37280] lbf	34170 [37280] lbf	34170 [37280] lbf
Arm crowd force	SAE	135 [148] kN	113 [123] kN	97 [106] kN	79 [87] kN
		13800 [15050] kgf	11500 [12550] kgf	9900 [10800] kgf	8100 [8840] kgf
		30420 [33190] lbf	25350 [27650] lbf	21830 [23810] lbf	17860 [19480] lbf
	ISO	142 [155] kN	118 [128] kN	101 [110] kN	85 [93] kN
		14500 [15820] kgf	12000 [13090] kgf	10300 [11240] kgf	8700 [9490] kgf
		31970 [34880] lbf	26460 [28870] lbf	22710 [24770] lbf	19170 [20910] lbf

[] : Power boost

4. WEIGHT

1) R210LC-7A

Item	R210LC-7A	
	kg	lb
Upperstructure assembly	8950	19730
Main frame weld assembly	2600	5730
Engine assembly	560	1240
Main pump assembly	120	265
Main control valve assembly	200	440
Swing motor assembly	190	420
Hydraulic oil tank assembly	240	530
Fuel tank assembly	195	430
Counterweight	3800	8380
Cab assembly	310	680
Lower chassis assembly	8700	19180
Track frame weld assembly	2720	6000
Swing bearing	260	570
Travel motor assembly	305	670
Turning joint	55	120
Track recoil spring and idler	270	600
Idler	170	370
Carrier roller	20	45
Track roller	40	90
Track-chain assembly(600mm standard triple grouser shoe)	1320	2910
Front attachment assembly(5.68m boom, 2.92m arm, 0.92m ³ SAE heaped bucket)	4000	8820
5.68m boom assembly	1535	3380
2.92m arm assembly	705	1550
0.92m ³ SAE heaped bucket	765	1690
Boom cylinder assembly	180	400
Arm cylinder assembly	290	640
Bucket cylinder assembly	175	390
Bucket control link assembly	170	370

2) R210LC-7A LONG REACH

Item	R210LC-7A LONG REACH	
	kg	lb
Upperstructure assembly	8950	19730
Main frame weld assembly	2600	5730
Engine assembly	560	1240
Main pump assembly	120	265
Main control valve assembly	200	440
Swing motor assembly	190	420
Hydraulic oil tank assembly	240	530
Fuel tank assembly	195	430
Counterweight	5300	11680
Cab assembly	310	680
Lower chassis assembly	8700	19180
Track frame weld assembly	2720	6000
Swing bearing	260	570
Travel motor assembly	305	670
Turning joint	55	120
Track recoil spring and idler	270	600
Idler	170	370
Carrier roller	20	45
Track roller	40	90
Track-chain assembly(800mm standard triple grouser shoe)	1605	3540
Front attachment assembly(8.2m boom, 6.3m arm, 0.51m ³ SAE heaped bucket)	4595	10130
8.2m boom assembly	2105	4640
6.3m arm assembly	1100	2430
0.51m ³ SAE heaped bucket	460	1010
Boom cylinder assembly	180	400
Arm cylinder assembly	270	600
Bucket cylinder assembly	130	290
Bucket control rod assembly	170	370

3) R210LC-7A HIGH WALKER




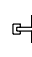

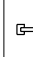

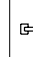


Item	R210LC-7A HIGH WALKER	
	kg	lb
Upperstructure assembly	8950	19730
Main frame weld assembly	2600	5730
Engine assembly	560	1240
Main pump assembly	120	265
Main control valve assembly	200	440
Swing motor assembly	190	420
Hydraulic oil tank assembly	240	530
Fuel tank assembly	195	430
Counterweight	3800	8380
Cab assembly	310	680
Lower chassis assembly	9015	19870
Track frame weld assembly	3730	8220
Swing bearing	285	630
Travel motor assembly	305	670
Turning joint	55	120
Track recoil spring and idler	310	685
Idler	170	370
Carrier roller	20	45
Track roller	40	90
Track-chain assembly(600mm standard triple grouser shoe)	1320	2910
Front attachment assembly(5.68m boom, 2.92m arm, 0.92m ³ SAE heaped bucket)	4050	8930
5.68m boom assembly	1500	3310
2.92m arm assembly	705	1550
0.92m ³ SAE heaped bucket	660	1460
Boom cylinder assembly	180	400
Arm cylinder assembly	290	640
Bucket cylinder assembly	175	390
Bucket control rod assembly	170	370

5. LIFTING CAPACITIES

1) ROBEX 210LC-7A


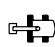
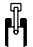
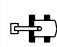

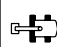

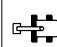

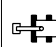

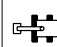

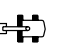
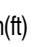

(1) 5.68m(18' 8") boom, 2.92m(9' 7") arm equipped with 0.92m³(SAE heaped) bucket, 600mm (24") triple grouser shoe and 3800kg counterweight.

-  : Rating over-front
-  : Rating over-side or 360 degree

Load point height		Load radius										Capacity			Reach	
		1.5m(5ft)		3.0m(10ft)		4.5m(15ft)		6.0m(20ft)		7.5m(25ft)						
																
7.5m (25ft)	kg lb													*3120 *6880	*3120 *6880	7.72 (25.3)
6.0m (20ft)	kg lb													*3210 *7080	2530 5580	8.69 (28.5)
4.5m (15ft)	kg lb							*3770 *8310	*3770 *8310	*3590 *7910	3210 7080			*3340 *7360	2170 4780	9.27 (30.4)
3.0m (10ft)	kg lb			*9160 *20190	*9160 *20190	*5760 *12700	*5760 *12700	*4530 *9990	4490 9900	*3950 *8710	3070 6770			*3490 *7690	1980 4370	9.55 (31.3)
1.5m (5ft)	kg lb			*8660 *19090	*8660 *19090	*7430 *16380	6500 14330	*5380 *11860	4180 9220	*4390 *9680	2910 6420			3440 7580	1930 4250	9.54 (31.3)
Ground Line	kg lb			*9310 *20530	*9310 *20530	*8550 *18850	6100 13450	*6060 *13360	3950 8710	*4770 *10520	2780 6130			3580 7890	2000 4410	9.26 (30.4)
-1.5m (-5ft)	kg lb	*8550 *18850	*8550 *18850	*12160 *26810	11830 26080	*8950 *19730	5940 13100	*6400 *14110	3820 8420	4870 10740	2720 6000			3970 8750	2230 4920	8.67 (28.4)
-3.0m (-10ft)	kg lb	*11700 *25790	*11700 *25790	*13020 *28700	11990 26430	*8680 *19140	5960 13140	*6280 *13850	3820 8420					*4230 *9330	2770 6110	7.69 (25.2)
-4.5m (-15ft)	kg lb			*11040 24340	*11040 *24340	*7560 *16670	6130 13510							*4140 *9130	*4140 *9130	6.09 (20.0)

- Note
1. Lifting capacity are based on SAE J1097 and ISO 10567.
 2. Lifting capacity of the ROBEX series does not exceed 75% of tipping load with the machine on firm, level ground or 87% of full hydraulic capacity.
 3. The load point is a hook located on the back of the bucket.
 4. *indicates load limited by hydraulic capacity.






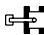

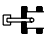

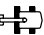
(4) 5.68m(18' 8") boom, 3.90m(12' 10") arm equipped with 0.92m³(SAE heaped) bucket, 600mm(24") triple grouser shoe and 3800kg counterweight.

Load point height		Load radius												At max. reach			
		1.5m(5ft)		3.0m(10ft)		4.5m(15ft)		6.0m(20ft)		7.5m(25ft)		9.0m(30ft)		Capacity		Reach	
																	
9.0m (30ft)	kg lb														*2590 *5710	*2590 *5710	7.66 (25.1)
7.5m (25ft)	kg lb								*1870 *4120	*1870 *4120					*2640 *5820	2470 5450	8.94 (29.3)
6.0m (20ft)	kg lb								*2670 *5890	*2670 *5890					*2720 *6000	2010 4430	9.77 (32.1)
4.5m (15ft)	kg lb								*2910 *6420	*2910 *6420	*1930 *4250	*1930 *4250			*2830 *6240	1750 3860	10.28 (33.7)
3.0m (10ft)	kg lb							*3710 *8180	*3710 *8180	*3340 *7360	3130 6900	*2750 *6060	2190 4830	2940 6480	1610 3550	10.52 (34.5)	
1.5m (5ft)	kg lb			*10430 *22990	*10430 *22990	*6230 *13730	*6230 *13730	*4640 *10230	4270 9410	*3860 *8510	2930 6460	*3260 *7190	2090 4610	2890 6370	1570 3460	10.52 (34.5)	
Ground Line	kg lb	*4950 *10910	*4950 *10910	*9990 *22020	*9990 *22020	*7720 *17020	6170 13600	*5490 *12100	3960 8730	*4360 *9610	2760 6080	3340 *7360	2000 4410	2970 6550	1610 3550	10.27 (33.7)	
-1.5m (-5ft)	kg lb	*7060 *15560	*7060 *15560	*10980 *24210	*10980 *24210	*8560 *18870	5860 12920	*6070 *13380	3750 8270	*4710 *10380	2640 5820	*2240 *4940	1950 4300	3220 7100	1760 3880	9.75 (32.0)	
-3.0m (-10ft)	kg lb	*9410 *20750	*9410 *20750	*13520 *29810	11550 25460	*8760 *19310	5760 12700	*6270 *13820	3670 8090	4750 10470	2600 5730			*3650 *8050	2080 4590	8.91 (29.2)	
-4.5m (-15ft)	kg lb	*12210 *26920	*12210 *26920	*12480 *27510	11790 25990	*8250 *18190	5830 12850	*5920 *13050	3720 8200					*3770 *8310	2770 6110	7.62 (25.0)	
-6.0m (-20ft)	kg lb			*9890 *21800	*9890 *21800	*6620 *14590	6110 13470										

2) R210LC-7A LONG REACH

(1) 8.2m(26' 11") boom, 6.3m(20' 8") arm equipped with 0.51m³(SAE heaped) bucket, 800mm (32") triple grouser shoe and 5300kg counterweight.

-  : Rating over-front
-  : Rating over-side or 360 degree






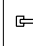

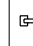

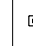


Load point height		Load radius								At max. reach		Reach
		3.0m(10ft)		6.0m(20ft)		9.0m(30ft)		12.0m(40ft)		Capacity		
												
9.0m (30ft)	kg lb							*830 *1830	*830 *1830	*1330 *2930	*1330 *2930	13.11 (43.0)
6.0m (20ft)	kg lb							*1430 *3150	*1430 *3150	*1410 *3110	1120 2470	14.37 (47.1)
3.0m (10ft)	kg lb					*1990 *4390	*1990 *4390	*1670 *3680	1580 3480	*1520 *3350	940 2070	14.89 (48.9)
Ground Line	kg lb	*4560 *10050	*4560 *10050	*4330 *9550	*4330 *9550	*2650 *5840	2360 5200	*1980 *4370	1390 3060	*1670 *3680	890 1960	14.75 (48.4)
-3.0m (-10ft)	kg lb	*5710 *12590	*5710 *12590	*5250 *11570	3800 8380	*3150 *6940	2070 4560	*2220 *4890	1260 2780	*1860 *4100	980 2160	13.92 (45.7)
-6.0m (-20ft)	kg lb	*7790 *17170	*7790 *17170	*5370 *11840	3720 8200	*3280 *7230	1990 4390			*2090 *4610	1280 2820	12.25 (40.2)
-9.0m (-30ft)	kg lb	*8780 *19360	*8780 *19360	*4510 *9940	4000 8820	*2620 *5780	2190 4830					

- Note
1. Lifting capacity are based on SAE J1097 and ISO 10567.
 2. Lifting capacity of the ROBEX series does not exceed 75% of tipping load with the machine on firm, level ground or 87% of full hydraulic capacity.
 3. The load point is a hook located on the back of the bucket.
 4. *indicates load limited by hydraulic capacity.

3) R210LC-7A HIGH WALKER


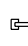

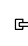






(1) 5.68m(18' 8") boom, 2.92m(9' 7") arm equipped with 0.92m³(SAE heaped) bucket, 600mm (24") triple grouser shoe and 3800kg counterweight.

-  : Rating over-front
-  : Rating over-side or 360 degree


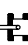









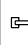
Load point height		Load radius										At max. reach			
		1.5m(5ft)		3.0m(10ft)		4.5m(15ft)		6.0m(20ft)		7.5m(25ft)		Capacity		Reach	
														m(ft)	
7.5m (25ft)	kg lb												*3130 *6900	*3130 *6900	7.87 (25.8)
6.0m (20ft)	kg lb									*2390 *5270	*2390 *5270	*3230 *7120	3200 7050	8.79 (28.8)	
4.5m (15ft)	kg lb							*3850 *8490	*3850 *8490	*3620 *7980	*3620 *7980	*3360 *7410	2810 6190	9.32 (30.6)	
3.0m (10ft)	kg lb			*9770 *21540	*9770 *21540	*5990 *13210	*5990 *13210	*4640 *10230	*4640 *10230	*4010 *8840	3950 8710	*3510 *7740	2620 5780	9.56 (31.4)	
1.5m (5ft)	kg lb			*8460 *18650	*8460 *18650	*7610 *16780	*7610 *16780	*5470 *12060	5400 11900	*4450 *9810	3790 8360	*3690 *8140	2580 5690	9.52 (31.2)	
Ground Line	kg lb			*9600 *21160	*9600 *21160	*8640 *19050	8080 17810	*6120 *13490	5170 11400	*4810 *10600	3670 8090	3880 8550	2700 5950	9.21 (30.2)	
-1.5m (-5ft)	kg lb	*8930 *19690	*8930 *19690	*12600 *27780	*12600 *27780	*8950 *19730	7940 17500	*6420 *14150	5060 11160	*4940 *10890	3610 7960	*4090 *9020	3030 6680	8.57 (28.1)	
-3.0m (-10ft)	kg lb	*12130 *26740	*12130 *26740	*12840 *28310	*12840 *28310	*8600 *18960	7980 17590	*6220 *13710	5070 11180			*4240 *9350	3770 8310	7.53 (24.7)	
-4.5m (-15ft)	kg lb			*10670 *23520	*10670 *23520	*7320 *16140	*7320 *16140								

- Note
1. Lifting capacity are based on SAE J1097 and ISO 10567.
 2. Lifting capacity of the ROBEX series does not exceed 75% of tipping load with the machine on firm, level ground or 87% of full hydraulic capacity.
 3. The load point is a hook located on the back of the bucket.
 4. *indicates load limited by hydraulic capacity.


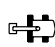
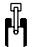
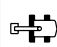

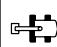

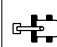

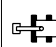

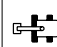

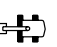
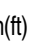

(2) 5.68m(18' 8") boom, 2.0m(6' 7") arm equipped with 0.92m³(SAE heaped) bucket, 600mm (24") triple grouser shoe and 3800kg counterweight.

Load point height		Load radius								At max. reach				
		3.0m(10ft)		4.5m(15ft)		6.0m(20ft)		7.5m(25.0ft)		Capacity		Reach		
												m(ft)		
7.5m (25ft)	kg lb											*3750 *8270	*3750 *8270	6.82 (22.4)
6.0m (20ft)	kg lb					*4170 *9190	*4170 *9190					*3810 *8400	*3810 *8400	7.88 (25.9)
4.5m (15ft)	kg lb	*8080 *17810	*8080 *17810	*5550 *12240	*5550 *12240	*4620 *10190	*4620 *10190					*3920 *8640	3280 7230	8.49 (27.9)
-3.0m (-10ft)	kg lb			*7170 *15810	*7170 *15810	*5330 *11750	*5330 *11750	*4540 *10010	3900 8600			*4070 *8970	3050 6720	8.75 (28.7)
-1.5m (-5ft)	kg lb			*8510 *18760	8290 18280	*6030 *13290	5350 11790	*4860 *10710	3790 8360			*4250 *9370	3020 6660	8.71 (28.6)
Ground Line	kg lb			*9050 *19950	8080 17810	*6470 *14260	5190 11440	*5050 *11130	3720 8200			*4430 *9770	3210 7080	8.36 (27.4)
-1.5m (-5ft)	kg lb	*12900 *28440	*12900 *28440	*8910 *19640	8070 17790	*6480 *14290	5150 11350					*4560 *10050	3710 8180	7.64 (25.1)
-3.0m (-10ft)	kg lb	*11370 *25070	*11370 *25070	*8040 *17730	*8040 *17730							*4470 *9850	*4470 *9850	6.41 (21.0)

(3) 5.68m(18' 8") boom, 2.4m(7' 10") arm equipped with 0.92m³(SAE heaped) bucket, 600mm (24") triple grouser shoe and 3800kg counterweight.

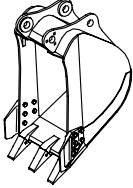
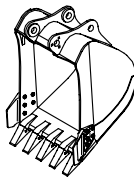
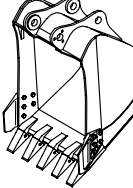
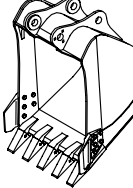
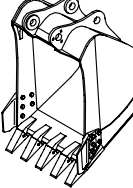
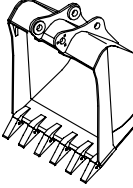
Load point height		Load radius								At max. reach					
		1.5m(5ft)		3.0m(10ft)		4.5m(15ft)		6.0m(20ft)		7.5m(25ft)		Capacity		Reach	
														m(ft)	
7.5m (25ft)	kg lb												*3460 *7630	*3460 *7630	7.31 (24.0)
6.0m (20ft)	kg lb						*3780 *8330	*3780 *8330					*3530 *7780	3500 7720	8.30 (27.2)
4.5m (15ft)	kg lb					*5010 *11050	*5010 *11050	*4270 *9410	*4270 *9410	*3960 *8730	*3960 *8730	*3650 *8050	3040 6700	8.87 (29.1)	
3.0m (10ft)	kg lb					*6640 *14640	*6640 *14640	*5020 *11070	*5020 *11070	*4290 *9460	3910 8620	*3800 *8380	2830 6240	9.12 (29.9)	
1.5m (5ft)	kg lb					*8110 *17880	*8110 *17880	*5780 *12740	5350 11790	*4670 *10300	3770 8310	*3970 *8750	2790 6150	9.08 (29.8)	
Ground Line	kg lb			*8830 *19470	*8830 *19470	*8870 *19550	8040 17730	*6310 *13910	5160 11380	*4940 *10890	3670 8090	*4150 *9150	2950 6500	8.75 (28.7)	
-1.5m (-5ft)	kg lb	*9710 *21410	*9710 *21410	*13370 *29480	*13370 *29480	*8940 *19710	7970 17570	*6460 *14240	5090 11220			*4320 *9520	3360 7410	8.07 (26.5)	
-3.0m (-10ft)	kg lb	*13920 *30690	*13920 *30690	*12060 *26590	*12060 *26590	*8310 *18320	8070 17790	*6000 *13230	5150 11350			*4350 *9590	4350 9590	6.94 (22.8)	
-4.5m (-15ft)	kg lb			*9390 *20700	*9390 *20700	*6500 *14330	*6500 *14330								

(4) 5.68m(18' 8") boom, 3.9m(12' 9") arm equipped with 0.92m³(SAE heaped) bucket, 600mm (24") triple grouser shoe and 3800kg counterweight.

Load point height		Load radius												At max. reach				
		1.5m(5ft)		3.0m(10ft)		4.5m(15ft)		6.0m(20ft)		7.5m(25ft)		9.0m(30ft)		Capacity		Reach		
																		m(ft)
9.0m (30ft)	kg lb														*2590 *5710	*2590 *5710	7.85 (25.8)	
7.5m (25ft)	kg lb								*2100 *4630	*2100 *4630					*2650 *5840	*2650 *5840	9.06 (29.7)	
6.0m (20ft)	kg lb								*2690 *5930	*2690 *5930					*2730 *6020	2600 5730	9.85 (32.3)	
4.5m (15ft)	kg lb								*2960 *6530	*2960 *6530	*2060 *4540	*2060 *4540			*2850 *6280	2320 5110	10.32 (33.9)	
3.0m (10ft)	kg lb							*3820 *8420	*3820 *8420	*3410 *7520	*3410 *7520	*2830 *6240	*2830 *6240			2980 6570	2170 4780	10.54 (34.6)
1.5m (5ft)	kg lb			*10900 *24030	*10900 *24030	*6450 *14220	*6450 *14220	*4760 *10490	*4760 *10490	*3930 *8660	3820 8420	*3300 *7280	2780 6130			3120 6880	2140 4720	10.50 (34.4)
Ground Line	kg lb	*5210 *11490	*5210 *11490	*9980 *22000	*9980 *22000	*7870 *17350	*7870 *17350	*5580 *12300	5180 11420	*4410 *9720	3640 8020	*3280 *7230	2690 5930			3230 7120	2210 4870	10.22 (33.5)
-1.5m (-5ft)	kg lb	*7340 *16180	*7340 *16180	*11230 *24760	*11230 *24760	*8620 *19000	7840 17280	*6120 *13490	4980 10980	*4740 *10450	3520 7760					*3490 *7690	2420 5340	9.67 (31.7)
-3.0m (-10ft)	kg lb	*9730 *21450	*9730 *21450	*13580 *29940	*13580 *29940	*8730 *19250	7760 17110	*6260 *13800	4910 10820	*4760 *10490	3490 7690					*3670 *8090	2860 6310	8.78 (28.8)
-4.5m (-15ft)	kg lb	*12610 *27800	*12610 *27800	*12250 *27010	*12250 *27010	*8120 *17900	7860 17330	*5820 *12830	4980 10980							*3770 *8310	*3770 *8310	7.41 (24.3)
-6.0m (-20ft)	kg lb			*9410 *20750	*9410 *20750	*6270 *13820	*6270 *13820											

6. BUCKET SELECTION GUIDE

1) GENERAL BUCKET

					
0.51m ³ SAE heaped bucket	0.80m ³ SAE heaped bucket	※ 0.92m ³ SAE heaped bucket	1.10m ³ SAE heaped bucket	1.20m ³ SAE heaped bucket	1.34m ³ SAE heaped bucket

Capacity		Width		Weight	Recommendation			
					5.68m (18' 8") boom			
SAE heaped	CECE heaped	Without side cutter	With side cutter		2.0m arm (6' 7")	2.4m arm (7' 10")	2.92m arm (9' 7")	3.90m arm (12' 10")
0.51m ³ (0.67yd ³)	0.45m ³ (0.59yd ³)	700mm (27.6")	820mm (32.3")	570kg (1260lb)				
0.80m ³ (1.05yd ³)	0.70m ³ (0.92yd ³)	1000mm (39.4")	1120mm (44.1")	700kg (1540lb)				
※ 0.92m ³ (1.20yd ³)	0.80m ³ (1.05yd ³)	1150mm (45.3")	1270mm (50.0")	770kg (1700lb)				
1.10m ³ (1.44yd ³)	0.96m ³ (1.26yd ³)	1320mm (52.0")	1440mm (56.7")	830kg (1830lb)				
1.20m ³ (1.57yd ³)	1.00m ³ (1.31yd ³)	1400mm (55.1")	1520mm (59.8")	850kg (1870lb)				
1.34m ³ (1.75yd ³)	1.15m ³ (1.50yd ³)	1550mm (61.0")	1670mm (65.7")	920kg (2030lb)				

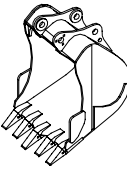
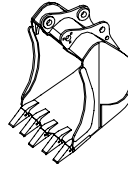
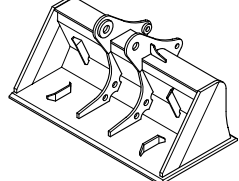
※ : Standard bucket

Applicable for materials with density of 2000kg/m³ (3370lbf/yd³) or less

Applicable for materials with density of 1600kg/m³ (2700lbf/yd³) or less

Applicable for materials with density of 1100kg/m³ (1850lbf/yd³) or less

2) HEAVY DUTY, ROCK AND SLOPE FINISHING BUCKET

		
◆0.74, 0.90, 1.05m ³ SAE heaped bucket	◎0.87, 1.20m ³ SAE heaped bucket	■0.75m ³ SAE heaped bucket

Capacity		Width		Weight	Recommendation			
SAE heaped	CECE heaped	Without side cutter	With side cutter		5.68m (18' 8") boom			
					2.0m arm (6' 7")	2.4m arm (7' 10")	2.92m arm (9' 7")	3.90m arm (12' 10")
◆0.74m ³ (0.97yd ³)	0.65m ³ (0.85yd ³)	985mm (38.8")	-	770kg (1700lb)				
◆0.90m ³ (1.18yd ³)	0.80m ³ (1.05yd ³)	1070mm (42.0")	-	810kg (1790lb)				
◆1.05m ³ (1.37yd ³)	0.92m ³ (1.20yd ³)	1290mm (50.8")	-	890kg (1960lb)				
◎0.87m ³ (1.14yd ³)	0.75m ³ (0.98yd ³)	1140mm (44.9")	-	900kg (1980lb)				
◎1.20m ³ (1.57yd ³)	1.00m ³ (1.31yd ³)	1410mm (55.5")	-	1030kg (2270lb)				
■0.75m ³ (0.98yd ³)	0.65m ³ (0.85yd ³)	1790mm (70.5")	-	880kg (1940lb)				

◆ : Heavy duty bucket ◎ : Rock bucket(Heavy) ■ : Slope finishing bucket

Applicable for materials with density of 2000kg/m³ (3370lb/yd³) or less

Applicable for materials with density of 1600kg/m³ (2700lb/yd³) or less

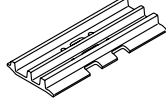
Applicable for materials with density of 1100kg/m³ (1850lb/yd³) or less

7. UNDERCARRIAGE

1) TRACKS

X-leg type center frame is integrally welded with reinforced box-section track frames. The design includes dry tracks, lubricated rollers, idlers, sprockets, hydraulic track adjusters with shock absorbing springs and assembled track-type tractor shoes with triple grousers.

2) TYPES OF SHOES

Model	Shapes		Triple grouser			
						
R210LC-7A	Shoe width	mm(in)	600(24)	700(28)	800(32)	-
	Operating weight	kg(lb)	21700(47840)	21980(48460)	22270(49100)	-
	Ground pressure	kgf/cm ² (psi)	0.46(6.54)	0.40(5.69)	0.35(4.98)	-
	Overall width	mm(ft-in)	2990(9' 10")	3090(10' 2")	3190(10' 6")	-
R210LC-7A LONG REACH	Shoe width	mm(in)	-	-	800(32)	-
	Operating weight	kg(lb)	-	-	24360(53700)	-
	Ground pressure	kgf/cm ² (psi)	-	-	0.42(5.97)	-
	Overall width	mm(ft-in)	-	-	3190(10' 6")	-
R210LC-7A HIGH WALKER	Shoe width	mm(in)	600(24)	700(28)	800(32)	Double grouser 710(28)
	Operating weight	kg(lb)	23160(51060)	23440(51680)	23730(52320)	23770(52400)
	Ground pressure	kgf/cm ² (psi)	0.49(6.97)	0.43(6.12)	0.38(5.40)	0.43(6.12)
	Overall width	mm(ft-in)	3395(11' 2")	3495(11' 6")	3595(11' 10")	3505(11' 6")

3) NUMBER OF ROLLERS AND SHOES ON EACH SIDE

Item	Quantity
Carrier rollers	2EA
Track rollers	9EA
Track shoes	49EA

4) SELECTION OF TRACK SHOE

Suitable track shoes should be selected according to operating conditions.

Method of selecting shoes

Confirm the category from the list of applications in **table 2**, then use **table 1** to select the shoe. Wide shoes(Categories B and C) have limitations on applications. Before using wide shoes, check the precautions, then investigate and study the operating conditions to confirm if these shoes are suitable.

Select the narrowest shoe possible to meet the required flotation and ground pressure. Application of wider shoes than recommendations will cause unexpected problem such as bending of shoes, crack of link, breakage of pin, loosening of shoe bolts and the other various problems.

※ **Table 1**

Track shoe	Specification	Category
600mm triple grouser	Standard	A
700mm triple grouser	Option	B
800mm triple grouser	Option	C
800mm triple grouser(Long reach)	Standard	C

※ **Table 2**

Category	Applications	Precautions
A	Rocky ground, river beds, normal soil	<ul style="list-style-type: none"> Travel at low speed on rough ground with large obstacles such as boulders or fallen trees
B	Normal soil, soft ground	<ul style="list-style-type: none"> These shoes cannot be used on rough ground with large obstacles such as boulders or fallen trees Travel at high speed only on flat ground Travel slowly at low speed if it is impossible to avoid going over obstacles
C	Extremely soft ground (Swampy ground)	<ul style="list-style-type: none"> Use the shoes only in the conditions that the machine sinks and it is impossible to use the shoes of category A or B These shoes cannot be used on rough ground with large obstacles such as boulders or fallen trees Travel at high speed only on flat ground Travel slowly at low speed if it is impossible to avoid going over obstacles

8. SPECIFICATIONS FOR MAJOR COMPONENTS

1) ENGINE

Item	Specification
Model	Cummins QSB6.7
Type	4-cycle turbocharged diesel engine, low emission
Cooling method	Water cooling
Number of cylinders and arrangement	6 cylinders, in-line
Firing order	1-5-3-6-2-4
Combustion chamber type	Direct injection type
Cylinder bore × stroke	104 × 132mm(4.09" × 5.20")
Piston displacement	6700cc(409cu in)
Compression ratio	17.2 : 1
Rated gross horse power(SAE J1995)	151Hp at 1900rpm(113kW at 1900rpm)
Maximum torque at 1500rpm	63.0kgf · m(456lbf · ft)
Engine oil quantity	24 l (6.3U.S. gal)
Dry weight	556kg(1226lb)
High idling speed	2135 ± 50rpm
Low idling speed	700 ± 100rpm
Rated fuel consumption	163.2g/Hp · hr at 1900rpm
Starting motor	Nippon denso(24V-4.5kW)
Alternator	Delco Remy (24V-50A)
Battery	2 × 12V × 100Ah

2) MAIN PUMP

Item	Specification
Type	Variable displacement tandem axis piston pumps
Capacity	2 × 117cc/rev
Maximum pressure	330kgf/cm ² (4694psi) [360kgf/cm ² (5120psi)]
Rated oil flow	2 × 222 l /min (58.6U.S. gpm/ 48.8U.K. gpm)
Rated speed	1900rpm

[] : Power boost

3) GEAR PUMP

Item	Specification
Type	Fixed displacement gear pump single stage
Capacity	15cc/rev
Maximum pressure	35kgf/cm ² (500psi)
Rated oil flow	28.5 l /min(7.5U.S. gpm/6.3U.K. gpm)

4) MAIN CONTROL VALVE

Item	Specification	
	R210LC-7A	R210LC-7A Long reach
Type	9 spools two-block	
Operating method	Hydraulic pilot system	
Main relief valve pressure	330kgf/cm ² (4695psi) [360kgf/cm ² (5120psi)]	
Overload relief valve pressure	Boom	390kgf/cm ² (5550psi) 390kgf/cm ² (5550psi)
	Arm	390kgf/cm ² (5550psi) 300kgf/cm ² (4270psi)
	Bucket	390kgf/cm ² (5550psi) 280kgf/cm ² (3980psi)

[]: Poer boost

5) SWING MOTOR

Item	Specification
Type	Two fixed displacement axial piston motor
Capacity	151cc/rev
Relief pressure	240kgf/cm ² (3414psi)
Braking system	Automatic, spring applied hydraulic released
Braking torque	59kgf · m(427lbf · ft)
Brake release pressure	33~50kgf/cm ² (470~711psi)
Reduction gear type	2 - stage planetary
Swing speed	12.0rpm

6) TRAVEL MOTOR

Item	Specification
Type	Variable displacement axial piston motor
Relief pressure	330kgf/cm ² (4695psi)
Reduction gear type	2-stage planetary
Braking system	Automatic, spring applied hydraulic released
Brake release pressure	11kgf/cm ² (156psi)
Braking torque	49.3kgf · m(357lbf · ft)

7) REMOTE CONTROL VALVE

Item		Specification
Type		Pressure reducing type
Operating pressure	Minimum	6.5kgf/cm ² (92psi)
	Maximum	26kgf/cm ² (370psi)
Single operation stroke	Lever	61mm(2.4in)
	Pedal	123mm(4.84in)

8) CYLINDER

Item		Specification
Boom cylinder	Bore dia × Rod dia × Stroke	∅ 120 × ∅ 85 × 1290mm
	Cushion	Extend only
Arm cylinder	Bore dia × Rod dia × Stroke	∅ 140 × ∅ 100 × 1510mm # ∅ 140 × ∅ 95 × 1460mm
	Cushion	Extend and retract
Bucket cylinder	Bore dia × Rod dia × Stroke	∅ 125 × ∅ 85 × 1055mm # ∅ 100 × ∅ 70 × 870mm
	Cushion	Extend only

※ Discoloration of cylinder rod can occur when the friction reduction additive of lubrication oil spreads on the rod surface.

※ Discoloration does not cause any harmful effect on the cylinder performance.

: LONG REACH

9) SHOE

Item		Width	Ground pressure	Link quantity	Overall width
R210LC-7A	Standard	600mm(24")	0.46kgf/cm ² (6.54psi)	49	2990mm(9' 10")
	Option	700mm(28")	0.40kgf/cm ² (5.69psi)	49	3090mm(10' 2")
		800mm(32")	0.35kgf/cm ² (4.98psi)	49	3190mm(10' 6")
R210LC-7A LONG REACH	Standard	800mm(32")	0.42kgf/cm ² (5.97psi)	49	3190mm(10' 6")
R210LC-7A HIGH WALKER	Standard	600mm(24")	0.49kgf/cm ² (6.97psi)	49	3395mm(11' 2")
	Option	700mm(28")	0.43kgf/cm ² (6.12psi)	49	3495mm(11' 6")
		800mm(32")	0.38kgf/cm ² (5.40psi)	49	3595mm(11' 10")
		※ 710mm(28")	0.43kgf/cm ² (6.12psi)	49	3505mm(11' 6")

※ : Double grouser.

10) BUCKET

Item		Capacity		Tooth quantity	Width	
		SAE heaped	CECE heaped		Without side cutter	With side cutter
R210LC-7A	STD	0.92m ³ (1.20yd ³)	0.80m ³ (1.05yd ³)	5	1150mm(45.3")	1270mm(50.0")
	OPT	0.51m ³ (0.67yd ³)	0.45m ³ (0.59yd ³)	3	700mm(27.6")	820mm(32.3")
		0.80m ³ (1.05yd ³)	0.70m ³ (0.92yd ³)	5	1000mm(39.4")	1120mm(44.1")
		1.10m ³ (1.44yd ³)	0.96m ³ (1.26yd ³)	5	1320mm(52.0")	1440mm(56.7")
		1.20m ³ (1.57yd ³)	1.00m ³ (1.31yd ³)	6	1400mm(55.1")	1520mm(59.8")
		1.34m ³ (1.75yd ³)	1.15m ³ (1.50yd ³)	6	1550mm(61.0")	1670mm(65.7")
		◆0.74m ³ (0.97yd ³)	0.65m ³ (0.85yd ³)	5	985mm(38.8")	-
		◆0.90m ³ (1.18yd ³)	0.80m ³ (1.05yd ³)	5	1070mm(42.0")	-
		◆1.05m ³ (1.37yd ³)	0.92m ³ (1.20yd ³)	5	1290mm(50.8")	-
		◎0.87m ³ (1.14yd ³)	0.75m ³ (0.98yd ³)	5	1140mm(44.9")	-
		◎1.20m ³ (1.57yd ³)	1.00m ³ (1.31yd ³)	5	1410mm(55.5")	-
		■0.75m ³ (0.98yd ³)	0.65m ³ (0.85yd ³)	-	1790mm(70.5")	-

◆ : Heavy duty bucket

◎ : Rock bucket(Heavy)

■ : Slope finishing bucket

9. RECOMMENDED OILS

Use only oils listed below or equivalent.
Do not mix different brand oil.

Service point	Kind of fluid	Capacity l (U.S. gal)	Ambient temperature °C (°F)						
			-20 (-4)	-10 (14)	0 (32)	10 (50)	20 (68)	30 (86)	40 (104)
Engine oil pan	Engine oil	24.0(6.3)	SAE 30						
			SAE 10W						
			SAE 10W-30						
			SAE 15W-40						
Swing drive	Gear oil	5.0(1.3)	SAE 85W-140						
Final drive		5.4 × 2 (1.4 × 2)							
Hydraulic tank	Hydraulic oil	Tank; 180(48)	ISO VG 32						
		System; 290(77)	ISO VG 46						
			ISO VG 68						
Fuel tank	Diesel fuel	340(90)	ASTM D975 NO.1						
			ASTM D975 NO.2						
Fitting (Grease nipple)	Grease	As required	NLGI NO.1						
			NLGI NO.2						
Radiator (Reservoir tank)	Mixture of antifreeze and water 50 : 50	35(9.2)	Ethylene glycol base permanent type						

SAE : Society of Automotive Engineers

API : American Petroleum Institute

ISO : International Organization for Standardization

NLGI : National Lubricating Grease Institute

ASTM : American Society of Testing and Material