

## GROUP 4 CONNECTORS

### 1. CONNECTOR DESTINATION

| Connector number | Type      | No. of pin | Destination                              | Connector part No. |              |
|------------------|-----------|------------|------------------------------------------|--------------------|--------------|
|                  |           |            |                                          | Female             | Male         |
| CN-1             | AMP       | 6          | l/conn(Engine harness-Frame harness)     | S816-006002        | S816-106002  |
| CN-2             | AMP       | 15         | l/conn(Engine harness-Frame harness)     | 2-85262-1          | 368301-1     |
| CN-3             | AMP       | 8          | l/conn(Engine harness-Frame harness)     | S816-008002        | S816-108002  |
| CN-4             | AMP       | 8          | l/conn(Frame harness-Console harness LH) | S816-008002        | S816-108002  |
| CN-5             | AMP       | 15         | l/conn(Frame harness-Side harness RH)    | 2-85262-1          | 368301-1     |
| CN-6             | AMP       | 12         | l/conn(Frame harness-Side harness RH)    | S816-012002        | S816-112002  |
| CN-7             | AMP       | 15         | l/conn(Frame harness-Console harness RH) | 2-85262-1          | 368301-1     |
| CN-8             | AMP       | 12         | l/conn(Frame harness-Console harness RH) | S816-012002        | S816-112002  |
| CN-9             | AMP       | 8          | l/conn(Frame harness-Console harness RH) | S816-008002        | S816-108002  |
| CN-10            | DEUTSCH   | 12         | l/conn(Frame harness-Cab harness)        | DT06-12S           | DT04-12P     |
| CN-11            | DEUTSCH   | 8          | l/conn(Frame harness-Aircon harness)     | DT06-8S            | -            |
| CN-12            | DEUTSCH   | 2          | l/conn(Frame harness-Boom wire harness)  | DT06-2S-EP06       | DT04-2P      |
| CN-15            | AMP       | 2          | Auto idle pressure                       | S816-002002        | S816-102002  |
| CN-16            | AMP       | 6          | Emergency engine speed control           | S816-006002        | S816-106002  |
| CN-17            | DEUTSCH   | 8          | l/conn(Wiper harness)                    | DT06-8S            | DT04-8P      |
| CN-19            | AMP       | 2          | Emergency CPU controller                 | S816-002002        | S816-102002  |
| CN-20            | MOLEX     | 2          | Horn                                     | 36825-0211         | -            |
| CN-21            | AMP       | 6          | Wiper motor                              | 925276-0           | -            |
| CN-22            | KET       | 2          | Washer pump                              | MG640605           | -            |
| CN-23            | KET       | 2          | Speaker-LH                               | MG610070           | -            |
| CN-24            | KET       | 2          | Speaker-RH                               | MG610070           | -            |
| CN-25            | MOLEX     | 2          | Horn                                     | 36825-0211         | -            |
| CN-27            | AMP       | 14         | Cassette radio                           | 173852             | -            |
| CN-28            | MWP       | 1          | Aircon compressor                        | NMWP01F-B          | -            |
| CN-29            | KET       | 2          | Receiver dryer                           | MG640795           | -            |
| CN-36            | DEUTSCH   | 3          | Fuse box                                 | 21N8-20041         | -            |
| CN-45            | RING-TERM | -          | Starter                                  | S820-414000        | -            |
| CN-47            | FASTEN    | 2          | Resistor                                 | S810-002202        | -            |
| CN-48            | AMP       | 2          | Hour meter                               | GP890469           | -            |
| CN-50            | AMP       | 36         | CPU Controller                           | 3441111-1          | -            |
| CN-51            | AMP       | 36         | CPU Controller                           | 3441111-1          | -            |
| CN-56            | DEUTSCH   | 4          | Cluster                                  | -                  | DT04-4P-E004 |
| CN-60            | YAZAKI    | 2          | Fusible link                             | 21N4-01320         | 7122-4125-50 |
| CN-61            | DEUTSCH   | 2          | Fuel filler pump                         | DT06-2S-P012       | -            |
| CN-66            | DEUTSCH   | 2          | Breaker solenoid                         | DT06-2S-P012       | DT04-2P-E004 |

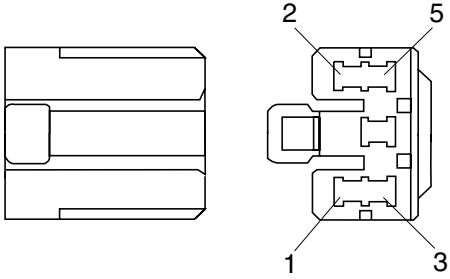
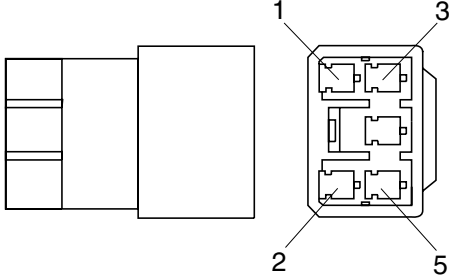
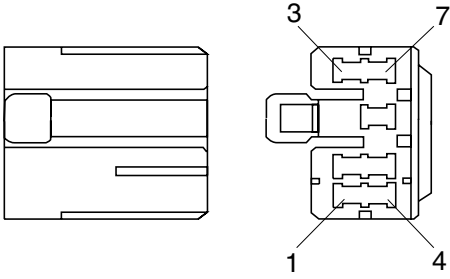
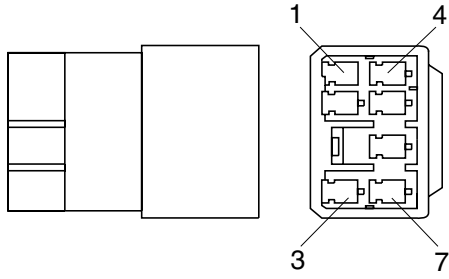
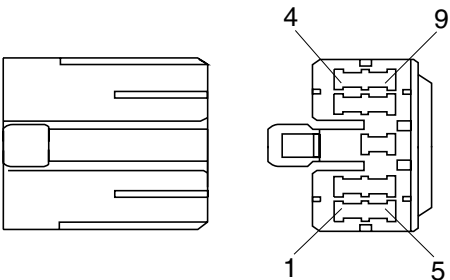
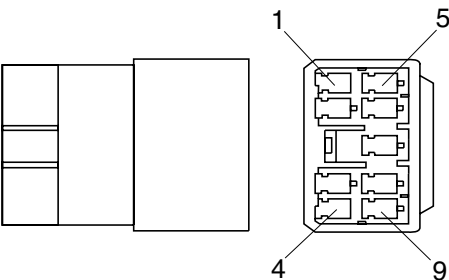
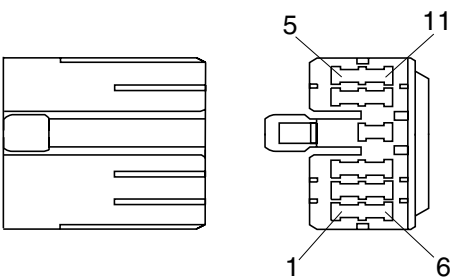
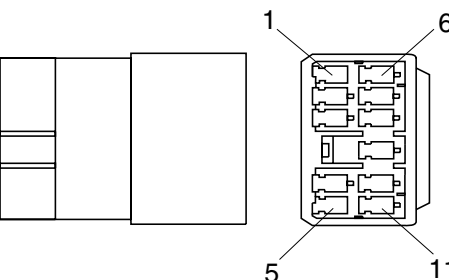
| Connector number | Type        | No. of pin | Destination                         | Connector part No. |              |
|------------------|-------------|------------|-------------------------------------|--------------------|--------------|
|                  |             |            |                                     | Female             | Male         |
| CN-68            | DEUTSCH     | 2          | Safety solenoid                     | DT06-2S-P012       | DT04-2P-E004 |
| CN-70            | DEUTSCH     | 2          | Travel solenoid                     | DT06-2S-P012       | DT04-2P-E004 |
| CN-74            | RING-TERM   | -          | Alternator "I" terminal             | -                  | S820-105000  |
| CN-75            | AMP         | 2          | EPPR valve                          | S816-002002        | -            |
| CN-80            | RING-TERM   | -          | Glow plug                           | S820-306000        | -            |
| CN-81            | DEUTSCH     | 2          | Travel buzzer                       | DT06-2S-P012       | DT04-2P-E004 |
| CN-88            | DEUTSCH     | 2          | Power max solenoid                  | DT06-2S-P012       | -            |
| CN-92            | SWF         | 1          | Emergency engine starting connector | S814-001100        | S814-101100  |
| CN-93            | DEUTSCH     | 50         | ECU                                 | DRC26-50S-04       | -            |
| CN-94            | DEUTSCH     | 4          | ECU earth                           | DT06-4S-EP06       | -            |
| CN-95            | KET         | 2          | Fusible link                        | 21N4-01311         | S813-130200  |
| CN-99            | DEUTSCH     | 3          | Resistor                            | DT06-3S-EP06       | DT04-3P-EP10 |
| CN-116           | PA          | 17         | Switch panel                        | S811-017002        | -            |
| CN-125           | Econoseal J | 4          | GPS connector                       | S816-004002        | S816-104002  |
| CN-126           | DEUTSCH     | 4          | RS 232 connector                    | DT06-4S-P012       | DT04-4P-E004 |
| CN-133           | DEUTSCH     | 2          | Boom prioity solenoid               | DT06-2S-P012       | DT04-2P-E004 |
| CN-137           | DEUTSCH     | 2          | Max flow solenoid                   | DT06-2S-P012       | DT04-2P-E004 |
| CN-138           | DEUTSCH     | 3          | DC/DC Converter                     | DT06-3S-P012       | DT04-3P      |
| CN-139           | DEUTSCH     | 2          | 12V socket                          | -                  | DT04-2P-E004 |
| CN-140           | DEUTSCH     | 2          | Quick clamp                         | DT06-2S-P012       | DT04-2P-E004 |
| CN-141           | AMP         | 13         | Wiper motor controller              | 172498-1           | DT04-3P-EP10 |
| CN-142           | DEUTSCH     | 3          | Accel dial                          | DT06-3S-P012       | -            |
| CN-143           | KET         | 2          | Cassette radio(With remocon)        | S816-002002        | -            |
| CN-144           | AMP         | 12         | Remocon-cassette radio              | 174045-2           | -            |
| CN-147           | DELPHI      | 4          | Fuel heater                         | 2-967325-3         | -            |
| CN-148           | DEUTSCH     | 3          | Data link(J1939)                    | DT06-3S-P012       | DT04-3P-E004 |
| CN-156           | AMP         | 2          | Air seat                            | S816-002002        | -            |
| CN-174           | DEUTSCH     | 3          | Resistor                            | DT06-3S-P012       | DT04-3P-EP10 |
| · Relay          |             |            |                                     |                    |              |
| CR-1             | RING-TERM   | -          | Battery relay                       | -                  | S820-208002  |
| CR-2             | -           | 5          | Horn relay                          | -                  | -            |
| CR-5             | -           | 5          | Anti restart relay                  | -                  | -            |
| CR-7             | -           | 5          | Aircon compressor relay             | -                  | -            |
| CR-13            | -           | 5          | Head lamp relay                     | -                  | -            |
| CR-23            | KET         | 2          | Start relay                         | S814-002001        | S814-102001  |
| CR-24            | RING-TERM   | -          | Glow plug relay                     | S822-014000        | -            |
| CR-35            | -           | 5          | Power relay                         | -                  | -            |
| CR-36            | -           | 5          | Pre-heat relay                      | -                  | -            |
| CR-45            | -           | 5          | ECU power relay                     | -                  | -            |

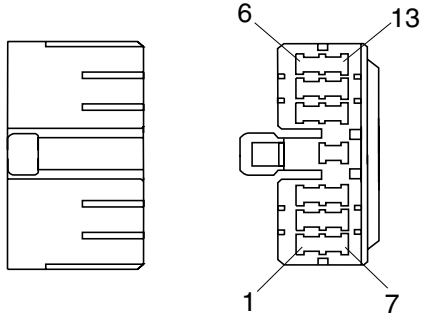
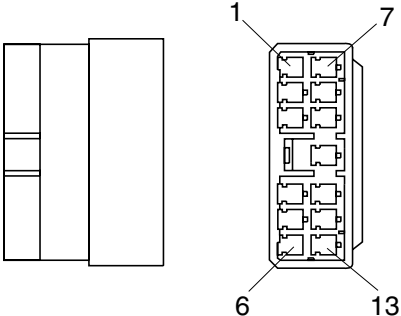
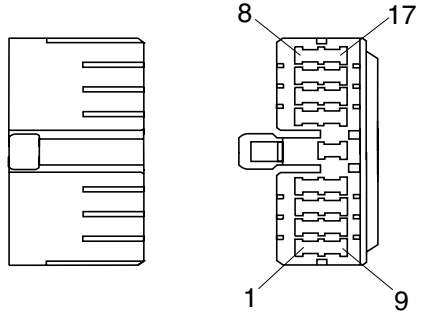
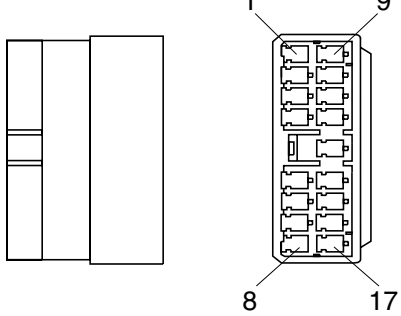
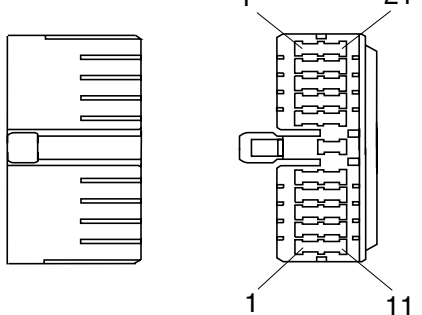
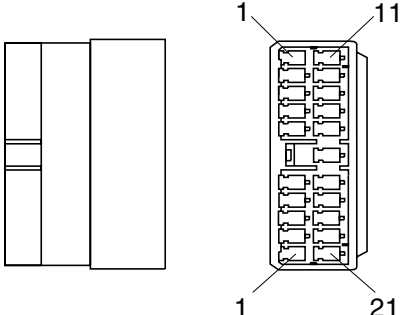
| Connector number | Type      | No. of pin | Destination               | Connector part No. |              |
|------------------|-----------|------------|---------------------------|--------------------|--------------|
|                  |           |            |                           | Female             | Male         |
| CR-46            | FASTEN    | 4          | Fuel heater relay         | S810-004202        | -            |
| CR-62            | FASTEN    | 4          | Breaker relay             | S810-004202        | -            |
| · Switch         |           |            |                           |                    |              |
| CS-1             | SHUR      | 1          | Door switch               | S822-014004        | S822-114004  |
| CS-2             | WP        | 6          | Start key switch          | S814-006000        | -            |
| CS-4             | DEUTSCH   | 3          | Safety switch             | DT06-3S            | -            |
| CS-5             | DEUTSCH   | 2          | Horn switch               | -                  | DT04-2P-E004 |
| CS-19            | DEUTSCH   | 2          | One touch decel switch    | -                  | DT04-2P-E004 |
| CS-20            | AMP       | 1          | Safety switch             | S822-014002        | -            |
| CS-23            | SWF       | 10         | Beacon lamp switch        | SWF 593757         | -            |
| CS-26            | DEUTSCH   | 2          | Breaker switch            | DT06-2S-P012       | -            |
| CS-26A           | AMP       | 2          | Breaker pedal switch      | S816-002002        | S816-102002  |
| CS-27            | SWF       | 10         | Breaker switch            | SWF 593757         | -            |
| CS-29            | DEUTSCH   | 2          | Power max switch          | DT06-2S-P012       | -            |
| CS-50            | SWF       | 10         | Overload switch           | SWF 593757         | -            |
| CS-52            | SWF       | 10         | Econo switch              | SWF 593757         | -            |
| CS-53            | AMP       | 1          | Wiper cut switch          | S822-014002        | -            |
| CS-54            | SWF       | 10         | Spare switch              | SWF 593757         | -            |
| CS-67            | SWF       | 10         | Quick clamp switch        | SWF593757          | -            |
| CS-74            | AMP       | 2          | Master switch             | S813-030201        | -            |
| CS-82            | SWF       | 10         | Heat switch               | SWF593757          | -            |
| CS-83            | SWF       | 10         | Spare switch              | SWF593757          | -            |
| CS-84            | SWF       | 10         | Fuel warmer switch        | SWF593757          | -            |
| · Light          |           |            |                           |                    |              |
| CL-1             | KET       | 2          | Room lamp                 | MG 610392          | -            |
| CL-2             | AMP       | 1          | Cigar light               | S822-014002        | -            |
| CL-4             | DEUTSCH   | 2          | Head lamp                 | -                  | DT04-EP-E004 |
| CL-5             | DEUTSCH   | 2          | Work lamp-LH              | -                  | DT04-2P      |
| CL-6             | DEUTSCH   | 2          | Work lamp-RH              | -                  | DT04-2P      |
| CL-7             | SHUR      | 1          | Beacon lamp               | S822-014004        | -            |
| CL-8             | DEUTSCH   | 2          | Cab light-LH              | DT04-2S            | DT04-2P-E005 |
| CL-9             | DEUTSCH   | 2          | Cab light-RH              | DT04-2S            | DT04-2P-E005 |
| · Sensor, sendor |           |            |                           |                    |              |
| CD-1             | AMP       | 2          | Hydraulic oil temp sender | 85202-1            | -            |
| CD-2             | DEUTSCH   | 2          | Fuel sender               | DT06-2S-P012       | -            |
| CD-6             | DEUTSCH   | 2          | Travel pressure switch    | -                  | DT04-2P-E004 |
| CD-7             | KET       | 2          | Working pressure switch   | MG640795           | -            |
| CD-10            | RING-TERM | -          | Air cleaner switch        | -                  | S820-104002  |
| CD-31            | DEUTSCH   | 2          | Overload pressure switch  | DT06-2S-P012       | DT04-2P-E004 |

| Connector number | Type    | No. of pin | Destination     | Connector part No. |      |
|------------------|---------|------------|-----------------|--------------------|------|
|                  |         |            |                 | Female             | Male |
| CD-42            | AMP     | 3          | Pump pressure 1 | S816-003002        | -    |
| CD-43            | AMP     | 3          | Pump pressure 2 | S816-003002        | -    |
| CD-44            | AMP     | 3          | Pump pressure 3 | S816-003002        | -    |
| CD-45            | DEUTSCH | 2          | WIF sensor      | DT06-2S-P012       | -    |

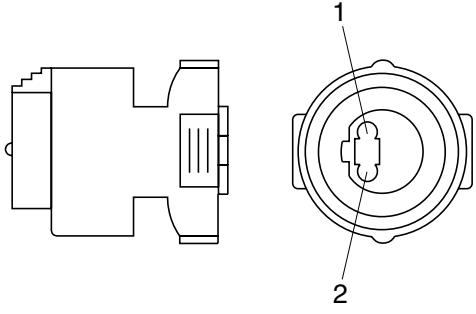
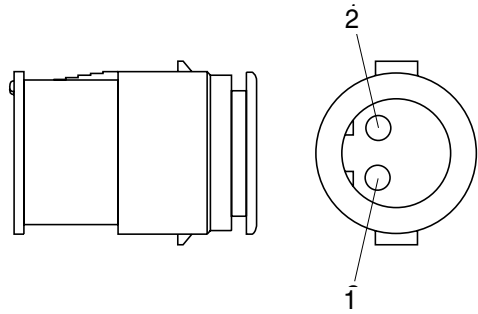
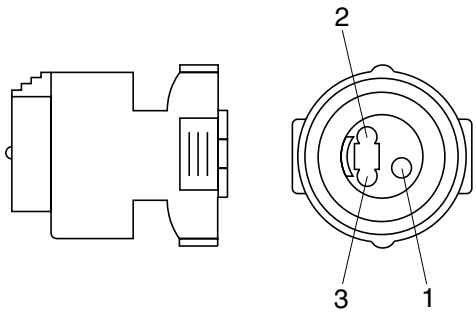
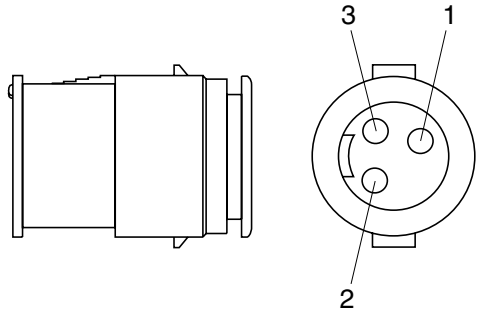
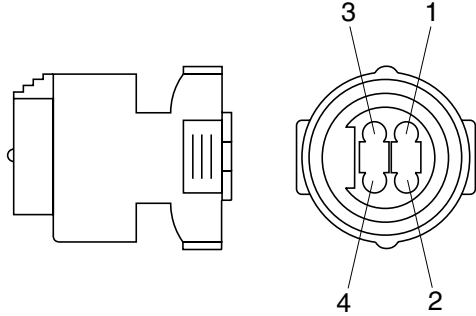
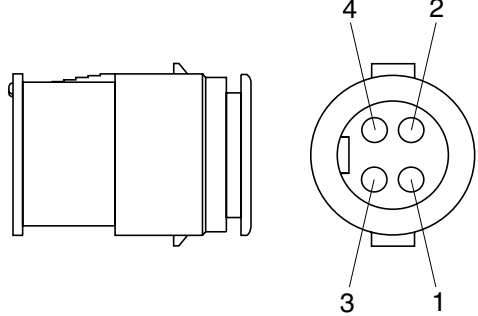
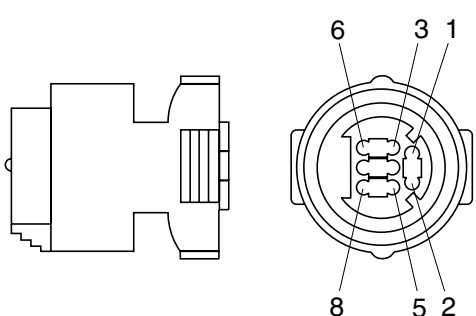
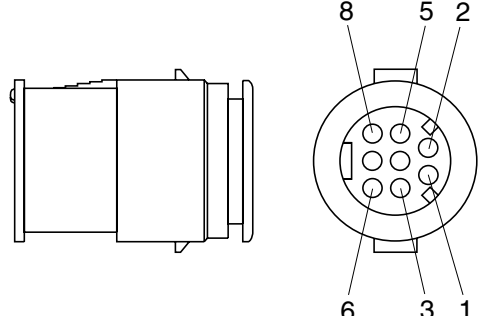
## 2. CONNECTION TABLE FOR CONNECTORS

### 1) PA TYPE CONNECTOR

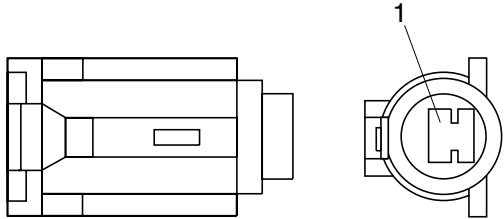
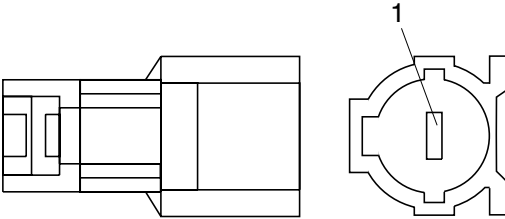
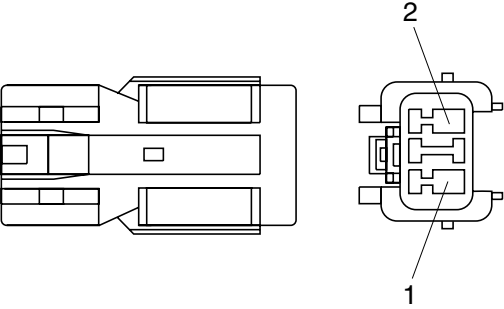
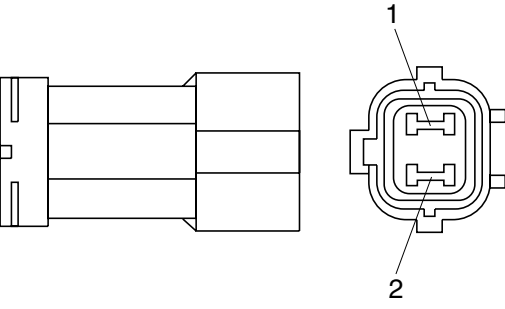
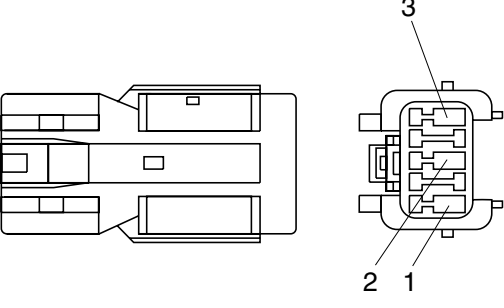
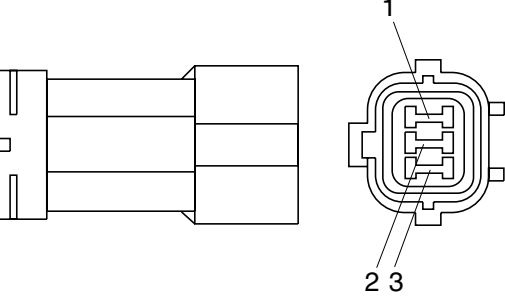
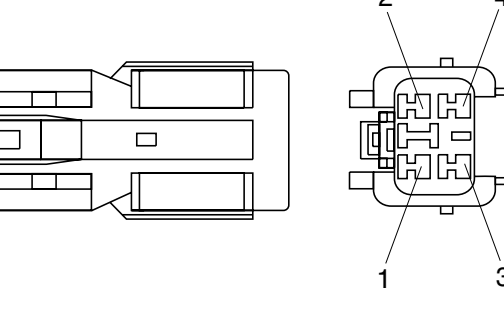
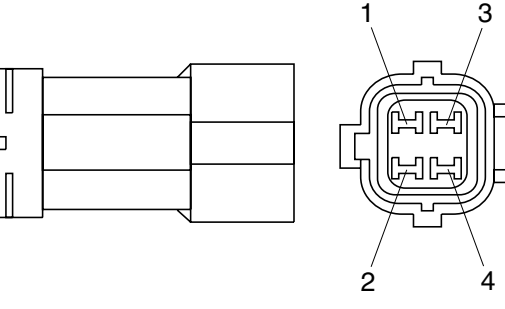
| No. of pin | Receptacle connector(Female)                                                                                                       | Plug connector(Male)                                                                                                                 |
|------------|------------------------------------------------------------------------------------------------------------------------------------|--------------------------------------------------------------------------------------------------------------------------------------|
| 5          |  <p style="text-align: center;">S811-005002</p>   |  <p style="text-align: center;">S811-105002</p>    |
| 7          |  <p style="text-align: center;">S811-007002</p>  |  <p style="text-align: center;">S811-107002</p>   |
| 9          |  <p style="text-align: center;">S811-009002</p> |  <p style="text-align: center;">3S811-109002</p> |
| 11         |  <p style="text-align: center;">S811-011002</p> |  <p style="text-align: center;">S811-111002</p>  |

| No. of pin | Receptacle connector(Female)                                                                                                         | Plug connector(Male)                                                                                                                    |
|------------|--------------------------------------------------------------------------------------------------------------------------------------|-----------------------------------------------------------------------------------------------------------------------------------------|
| 13         |  <p data-bbox="691 633 839 663">S811-013002</p>     |  <p data-bbox="1246 633 1394 663">S811-113002</p>     |
| 17         |  <p data-bbox="691 1041 839 1070">S811-017002</p>  |  <p data-bbox="1246 1041 1394 1070">S811-117002</p>  |
| 21         |  <p data-bbox="691 1449 839 1478">S811-021002</p> |  <p data-bbox="1246 1449 1394 1478">S811-121002</p> |

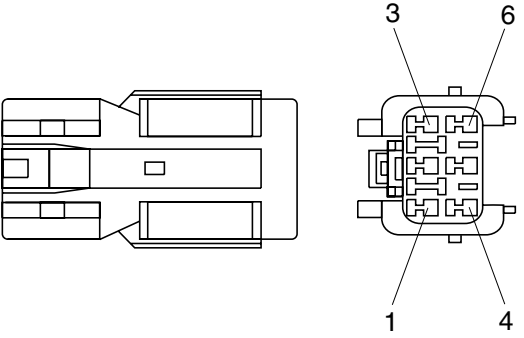
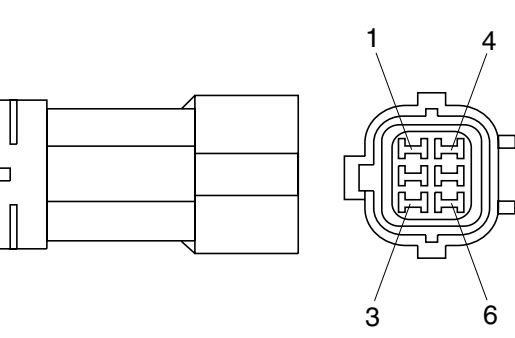
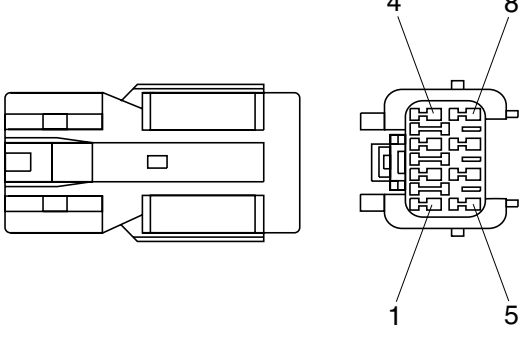
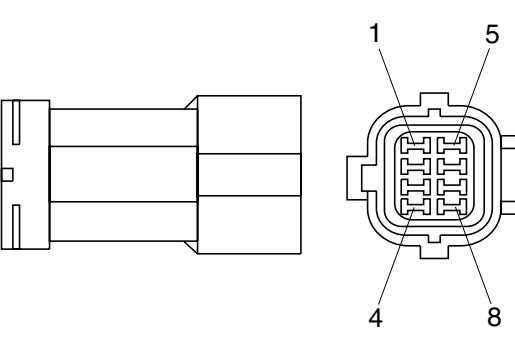
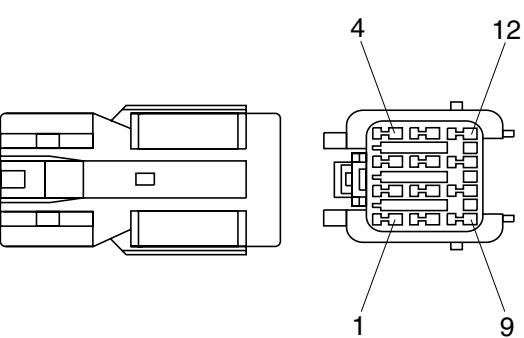
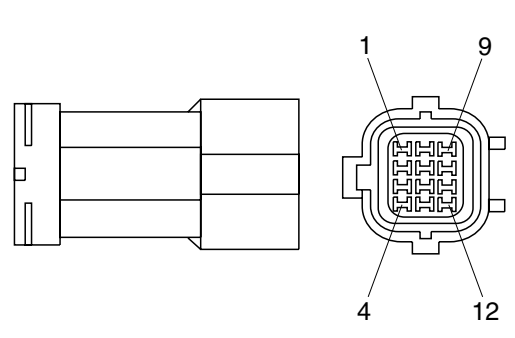
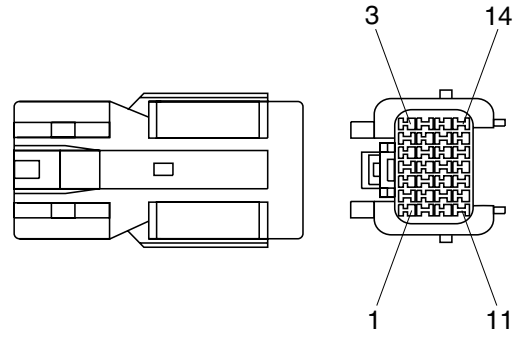
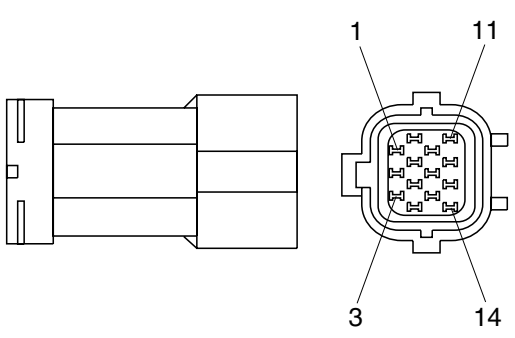
## 2) J TYPE CONNECTOR

| No. of pin | Receptacle connector(Female)                                                                                                       | Plug connector(Male)                                                                                                                |
|------------|------------------------------------------------------------------------------------------------------------------------------------|-------------------------------------------------------------------------------------------------------------------------------------|
| 2          |  <p style="text-align: center;">S816-002001</p>   |  <p style="text-align: center;">S816-102001</p>   |
| 3          |  <p style="text-align: center;">S816-003001</p>  |  <p style="text-align: center;">S816-103001</p>  |
| 4          |  <p style="text-align: center;">S816-004001</p> |  <p style="text-align: center;">S816-104001</p> |
| 8          |  <p style="text-align: center;">S816-008001</p> |  <p style="text-align: center;">S816-108001</p> |

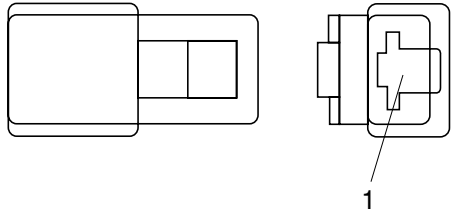
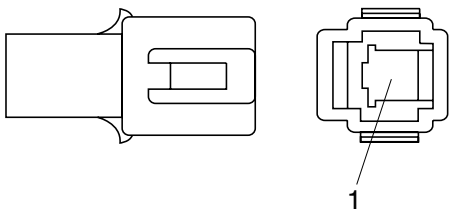
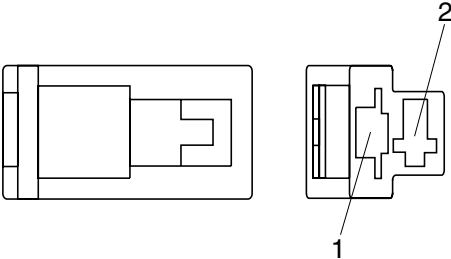
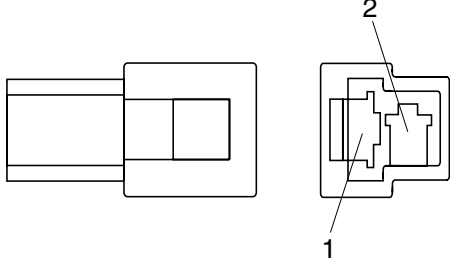
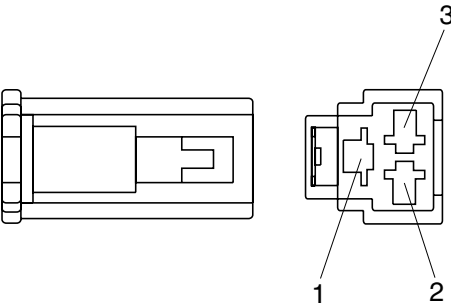
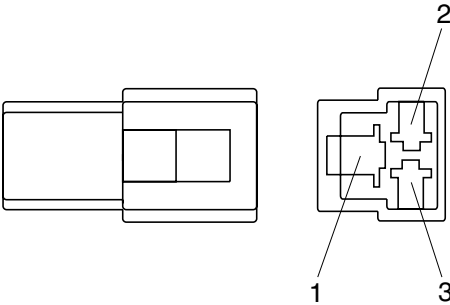
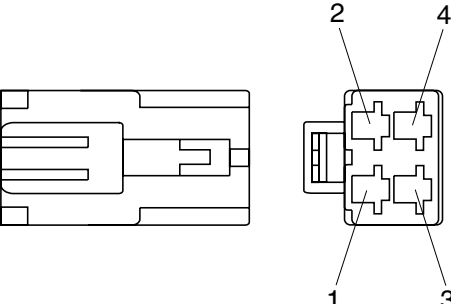
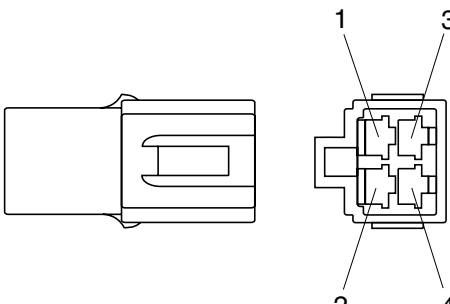
### 3) SWP TYPE CONNECTOR

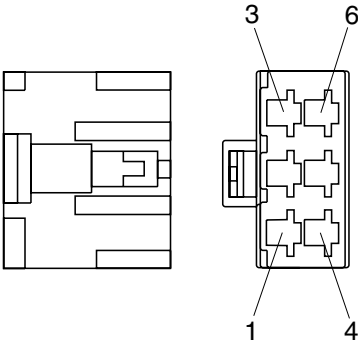
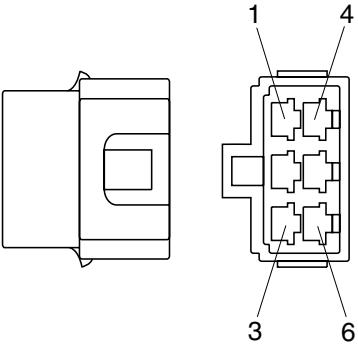
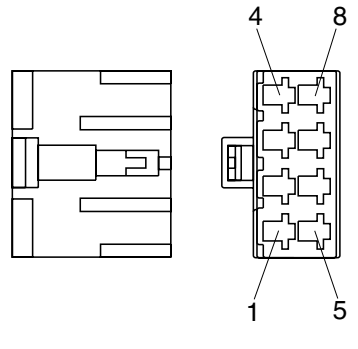
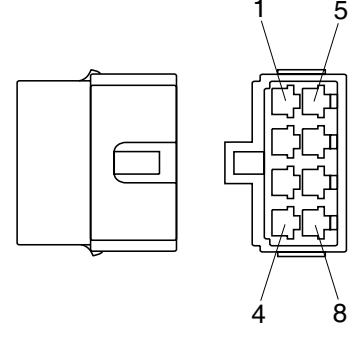
| No. of pin | Receptacle connector(Female)                                                                                                         | Plug connector(Male)                                                                                                                    |
|------------|--------------------------------------------------------------------------------------------------------------------------------------|-----------------------------------------------------------------------------------------------------------------------------------------|
| 1          |  <p data-bbox="689 674 837 703">S814-001000</p>     |  <p data-bbox="1246 674 1394 703">S814-101000</p>     |
| 2          |  <p data-bbox="689 1077 837 1106">S814-002000</p>  |  <p data-bbox="1246 1077 1394 1106">S814-102000</p>  |
| 3          |  <p data-bbox="689 1487 837 1516">S814-003000</p> |  <p data-bbox="1246 1487 1394 1516">S814-103000</p> |
| 4          |  <p data-bbox="689 1897 837 1926">S814-004000</p> |  <p data-bbox="1246 1897 1394 1926">S814-104000</p> |



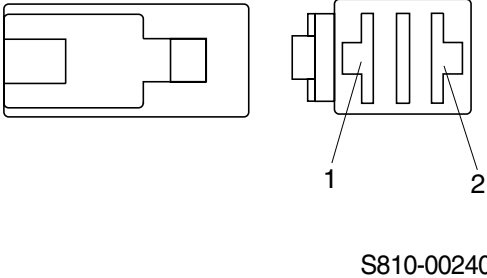
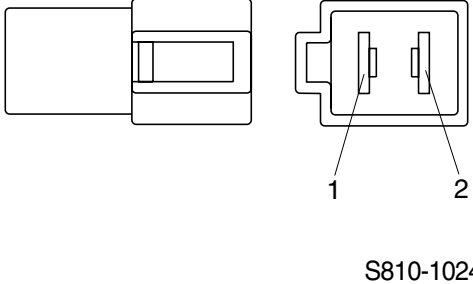
| No. of pin | Receptacle connector(Female)                                                                                                         | Plug connector(Male)                                                                                                                    |
|------------|--------------------------------------------------------------------------------------------------------------------------------------|-----------------------------------------------------------------------------------------------------------------------------------------|
| 6          |  <p data-bbox="686 627 837 660">S814-006000</p>     |  <p data-bbox="1244 627 1396 660">S814-106000</p>     |
| 8          |  <p data-bbox="686 1041 837 1075">S814-008000</p>  |  <p data-bbox="1244 1041 1396 1075">S814-108000</p>  |
| 12         |  <p data-bbox="686 1444 837 1478">S814-012000</p> |  <p data-bbox="1244 1444 1396 1478">S814-112000</p> |
| 14         |  <p data-bbox="686 1848 837 1881">S814-014000</p> |  <p data-bbox="1244 1848 1396 1881">S814-114000</p> |

#### 4) CN TYPE CONNECTOR

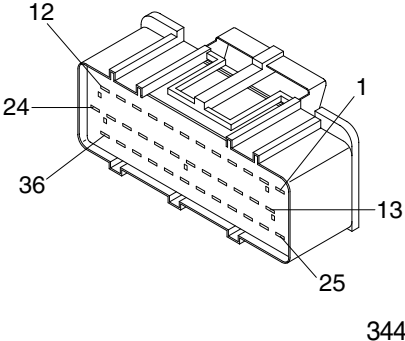
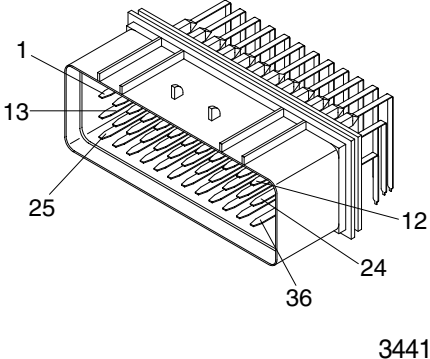
| No. of pin | Receptacle connector(Female)                                                                                                       | Plug connector(Male)                                                                                                                |
|------------|------------------------------------------------------------------------------------------------------------------------------------|-------------------------------------------------------------------------------------------------------------------------------------|
| 1          |  <p style="text-align: center;">S810-001202</p>   |  <p style="text-align: center;">S810-101202</p>   |
| 2          |  <p style="text-align: center;">S810-002202</p>  |  <p style="text-align: center;">S810-102202</p>  |
| 3          |  <p style="text-align: center;">S810-003202</p> |  <p style="text-align: center;">S810-103202</p> |
| 4          |  <p style="text-align: center;">S810-004202</p> |  <p style="text-align: center;">S810-104202</p> |

| No. of pin | Receptacle connector(Female)                                                                                                        | Plug connector(Male)                                                                                                                   |
|------------|-------------------------------------------------------------------------------------------------------------------------------------|----------------------------------------------------------------------------------------------------------------------------------------|
| 6          |  <p data-bbox="686 627 837 660">S810-006202</p>    |  <p data-bbox="1244 627 1396 660">S810-106202</p>    |
| 8          |  <p data-bbox="686 1041 837 1075">S810-008202</p> |  <p data-bbox="1244 1041 1396 1075">S810-108202</p> |

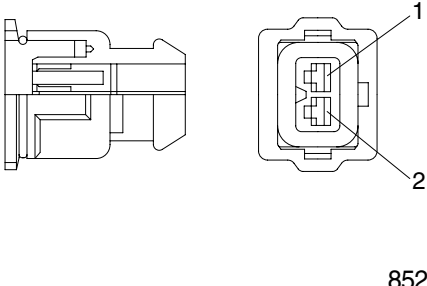
### 5) 375 FASTEN TYPE CONNECTOR

| No. of pin | Receptacle connector(Female)                                                                                                     | Plug connector(Male)                                                                                                              |
|------------|----------------------------------------------------------------------------------------------------------------------------------|-----------------------------------------------------------------------------------------------------------------------------------|
| 2          |  <p style="text-align: center;">S810-002402</p> |  <p style="text-align: center;">S810-102402</p> |

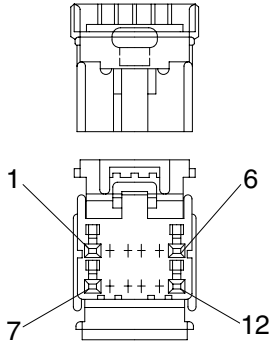
### 6) AMP ECONOSEAL CONNECTOR

| No. of pin | Receptacle connector(Female)                                                                                                   | Plug connector(Male)                                                                                                            |
|------------|--------------------------------------------------------------------------------------------------------------------------------|---------------------------------------------------------------------------------------------------------------------------------|
| 36         |  <p style="text-align: center;">344111-1</p> |  <p style="text-align: center;">344108-1</p> |

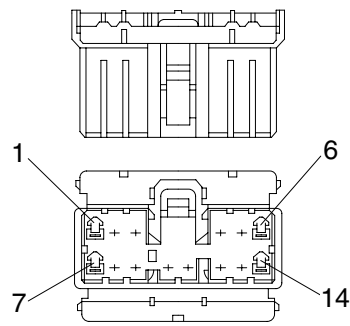
### 7) AMP TIMER CONNECTOR

| No. of pin | Receptacle connector(Female)                                                                                                   | Plug connector(Male) |
|------------|--------------------------------------------------------------------------------------------------------------------------------|----------------------|
| 2          |  <p style="text-align: center;">85202-1</p> |                      |

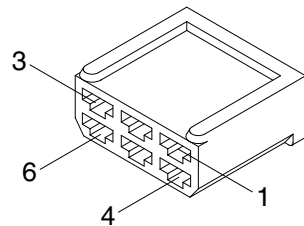
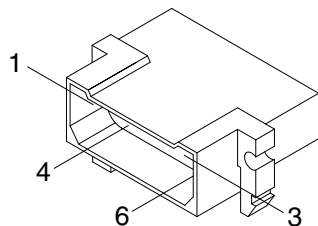
### 8) AMP 040 MULTILOCK CONNECTOR

| No. of pin | Receptacle connector(Female)                                                                                                 | Plug connector(Male) |
|------------|------------------------------------------------------------------------------------------------------------------------------|----------------------|
| 12         |  <p style="text-align: right;">174045-2</p> |                      |

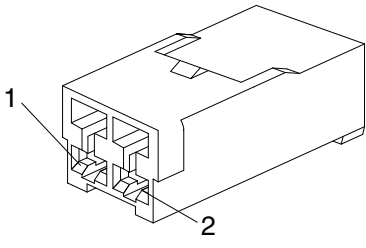
### 9) AMP 070 MULTILOCK CONNECTOR

| No. of pin | Receptacle connector(Female)                                                                                                | Plug connector(Male) |
|------------|-----------------------------------------------------------------------------------------------------------------------------|----------------------|
| 14         |  <p style="text-align: right;">173852</p> |                      |

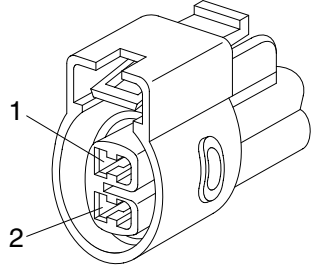
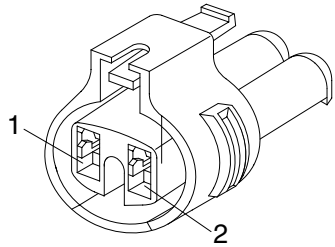
### 10) AMP FASTIN - FASTON CONNECTOR

| No. of pin | Receptacle connector(Female)                                                                                                   | Plug connector(Male)                                                                                                            |
|------------|--------------------------------------------------------------------------------------------------------------------------------|---------------------------------------------------------------------------------------------------------------------------------|
| 6          |  <p style="text-align: right;">925276-0</p> |  <p style="text-align: right;">480003-9</p> |

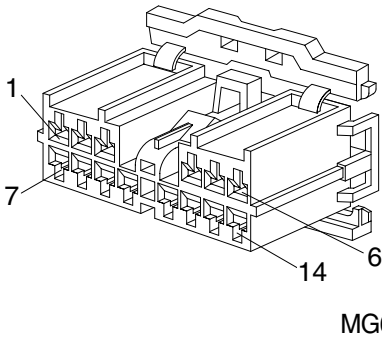
### 11) KET 090 CONNECTOR

| No. of pin | Receptacle connector(Female)                                                                                                 | Plug connector(Male) |
|------------|------------------------------------------------------------------------------------------------------------------------------|----------------------|
| 2          |  <p style="text-align: right;">MG610070</p> |                      |

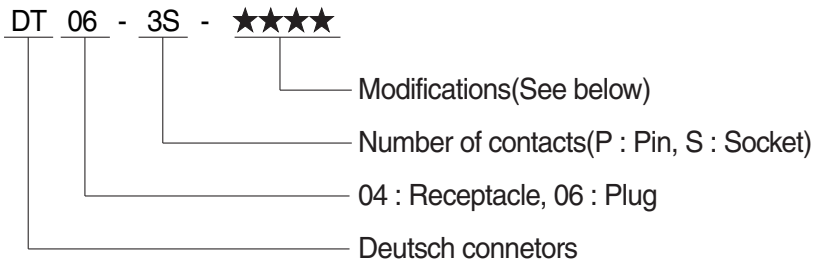
### 12) KET 090 WP CONNECTORS

| No. of pin | Receptacle connector(Female)                                                                                                   | Plug connector(Male) |
|------------|--------------------------------------------------------------------------------------------------------------------------------|----------------------|
| 2          |  <p style="text-align: right;">MG640605</p>  |                      |
| 2          |  <p style="text-align: right;">MG640795</p> |                      |

### 13) KET SDL CONNECTOR

| No. of pin | Receptacle connector(Female)                                                                      | Plug connector(Male) |
|------------|---------------------------------------------------------------------------------------------------|----------------------|
| 14         |  <p>MG610406</p> |                      |

# 14) DEUTSCH DT CONNECTORS

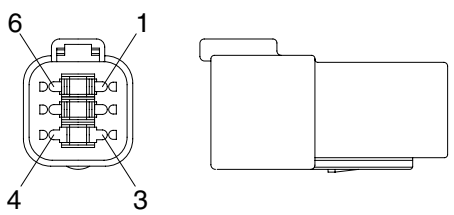
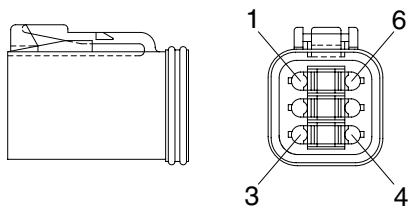
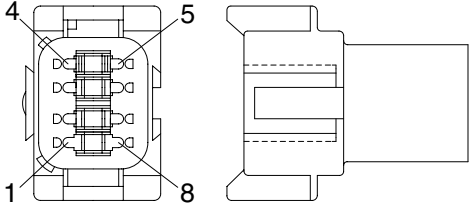
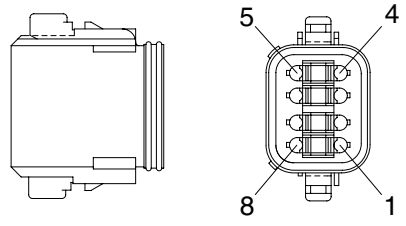
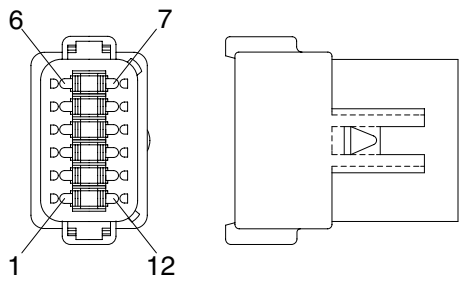
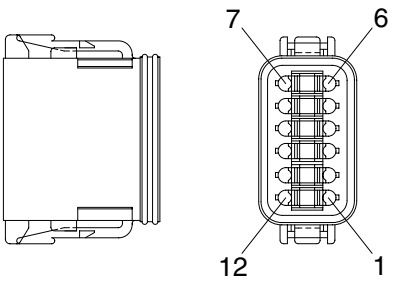


※ Modification

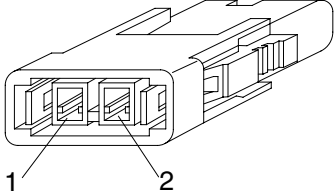
- E003 : Standard end cap - gray
- E004 : Color of connector to be black
- E005 : Combination - E004 & E003
- EP04 : End cap
- EP06 : Combination P012 & EP04
- P012 : Front seal enhancement - connectors color to black for 2, 3, 4 & 6pin

| No. of pin | Receptacle connector(Female)              | Plug connector(Male)                      |
|------------|-------------------------------------------|-------------------------------------------|
| 2          | <p style="text-align: right;">DT06-2S</p> | <p style="text-align: right;">DT04-2P</p> |
| 3          | <p style="text-align: right;">DT06-3S</p> | <p style="text-align: right;">DT04-3P</p> |
| 4          | <p style="text-align: right;">DT06-4S</p> | <p style="text-align: right;">DT04-4P</p> |

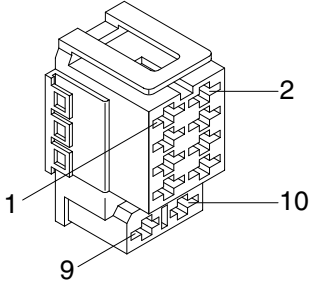


| No. of pin | Receptacle connector(Female)                                                                                                   | Plug connector(Male)                                                                                                            |
|------------|--------------------------------------------------------------------------------------------------------------------------------|---------------------------------------------------------------------------------------------------------------------------------|
| 6          |  <p style="text-align: right;">DT06-6S</p>    |  <p style="text-align: right;">DT04-6P</p>    |
| 8          |  <p style="text-align: right;">DT06-8S</p>    |  <p style="text-align: right;">DT04-8P</p>    |
| 12         |  <p style="text-align: right;">DT06-12S</p> |  <p style="text-align: right;">DT04-12P</p> |

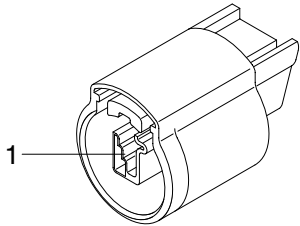
**15) MOLEX 2CKTS CONNECTOR**

| No. of pin | Receptacle connector(Female)                                                                                                    | Plug connector(Male) |
|------------|---------------------------------------------------------------------------------------------------------------------------------|----------------------|
| 2          |  <p data-bbox="703 674 839 703">35215-0200</p> |                      |

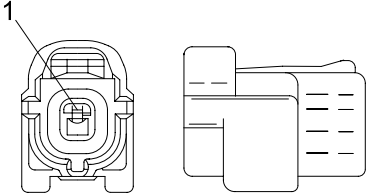
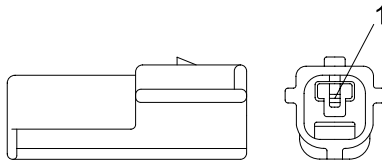
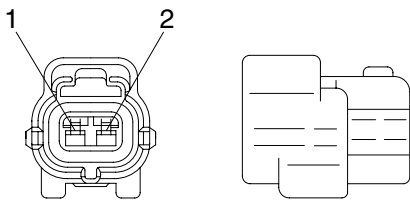
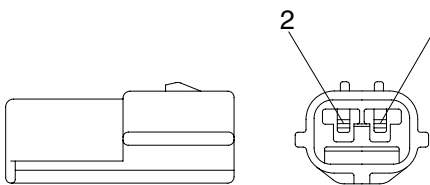
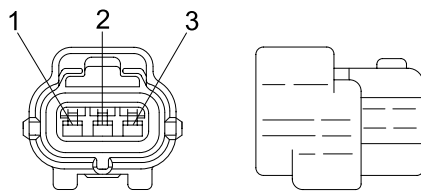
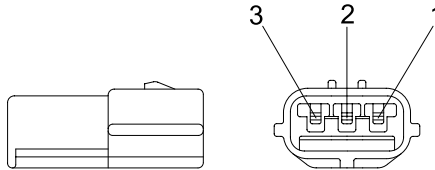
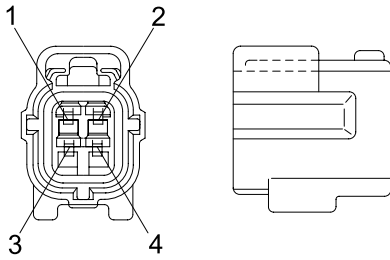
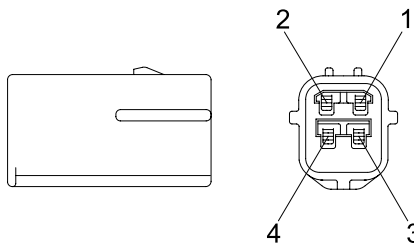
**16) ITT SWF CONNECTOR**

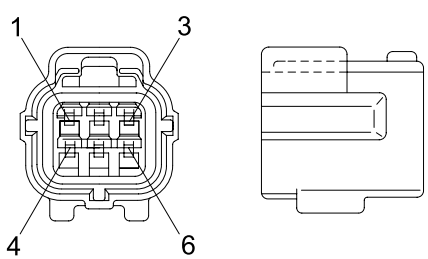
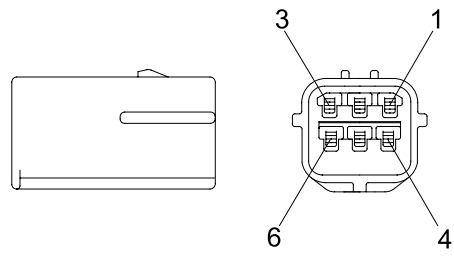
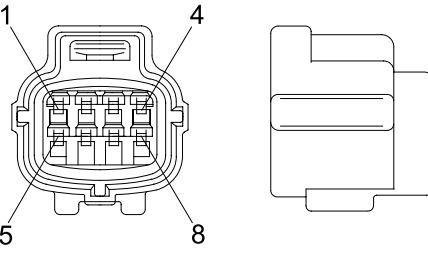
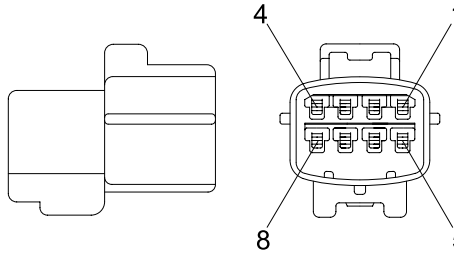
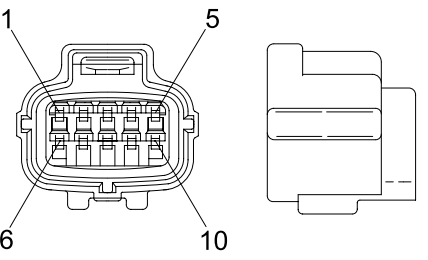
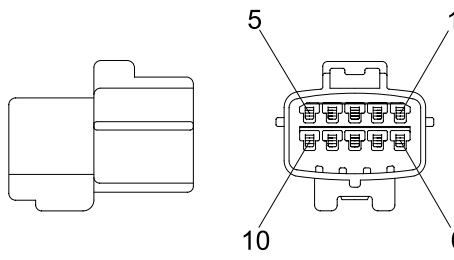
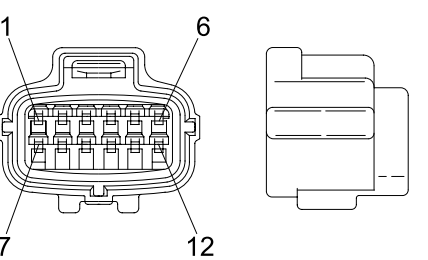
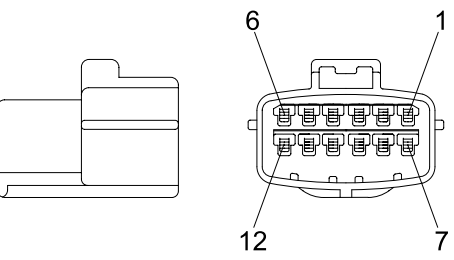
| No. of pin | Receptacle connector(Female)                                                                                                      | Plug connector(Male) |
|------------|-----------------------------------------------------------------------------------------------------------------------------------|----------------------|
| 10         |  <p data-bbox="699 1279 839 1308">SWF593757</p> |                      |

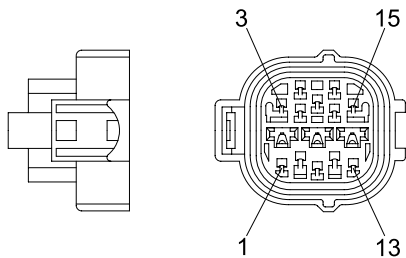
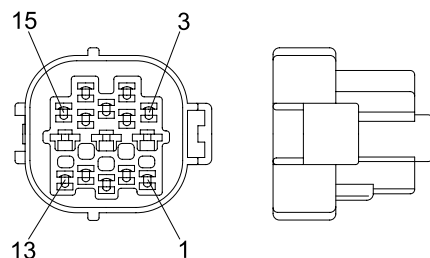
**17) MWP NMWP CONNECTOR**

| No. of pin | Receptacle connector(Female)                                                                                                       | Plug connector(Male) |
|------------|------------------------------------------------------------------------------------------------------------------------------------|----------------------|
| 1          |  <p data-bbox="687 1883 839 1912">NMWP01F-B</p> |                      |

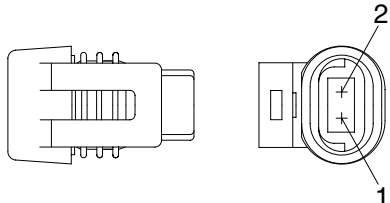
18) ECONOSEAL J TYPE CONNECTORS

| No. of pin | Receptacle connector(Female)                                                                                                       | Plug connector(Male)                                                                                                                |
|------------|------------------------------------------------------------------------------------------------------------------------------------|-------------------------------------------------------------------------------------------------------------------------------------|
| 1          |  <p style="text-align: center;">S816-001002</p>   |  <p style="text-align: center;">S816-101002</p>   |
| 2          |  <p style="text-align: center;">S816-002002</p>  |  <p style="text-align: center;">S816-102002</p>  |
| 3          |  <p style="text-align: center;">S816-003002</p> |  <p style="text-align: center;">S816-103002</p> |
| 4          |  <p style="text-align: center;">S816-004002</p> |  <p style="text-align: center;">S816-104002</p> |

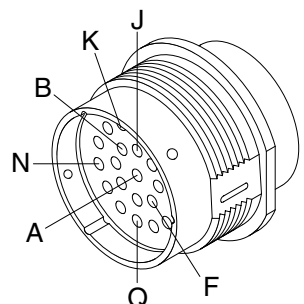
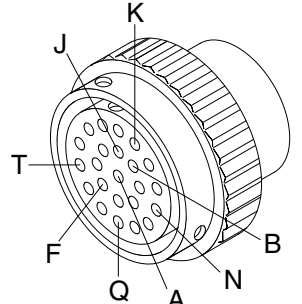
| No. of pin | Receptacle connector(Female)                                                                                                         | Plug connector(Male)                                                                                                                    |
|------------|--------------------------------------------------------------------------------------------------------------------------------------|-----------------------------------------------------------------------------------------------------------------------------------------|
| 6          |  <p data-bbox="686 627 837 660">S816-006002</p>     |  <p data-bbox="1244 627 1396 660">S816-106002</p>     |
| 8          |  <p data-bbox="686 1030 837 1064">S816-008002</p>  |  <p data-bbox="1244 1030 1396 1064">S816-108002</p>  |
| 10         |  <p data-bbox="686 1433 837 1467">S816-010002</p> |  <p data-bbox="1244 1433 1396 1467">S816-110002</p> |
| 12         |  <p data-bbox="686 1836 837 1870">S816-012002</p> |  <p data-bbox="1244 1836 1396 1870">S816-112002</p> |

| No. of pin | Receptacle connector(Female)                                                                                                  | Plug connector(Male)                                                                                                            |
|------------|-------------------------------------------------------------------------------------------------------------------------------|---------------------------------------------------------------------------------------------------------------------------------|
| 15         |  <p style="text-align: center;">368301-1</p> |  <p style="text-align: center;">2-85262-1</p> |

### 19) METRI-PACK TYPE CONNECTOR

| No. of pin | Receptacle connector(Female)                                                                                                   | Plug connector(Male) |
|------------|--------------------------------------------------------------------------------------------------------------------------------|----------------------|
| 2          |  <p style="text-align: center;">12040753</p> |                      |

### 20) DEUTSCH HD30 CONNECTOR

| No. of pin | Receptacle connector(Female)                                                                                                        | Plug connector(Male)                                                                                                                 |
|------------|-------------------------------------------------------------------------------------------------------------------------------------|--------------------------------------------------------------------------------------------------------------------------------------|
| 23         |  <p style="text-align: center;">HD36-24-23SN</p> |  <p style="text-align: center;">HD34-24-23PN</p> |