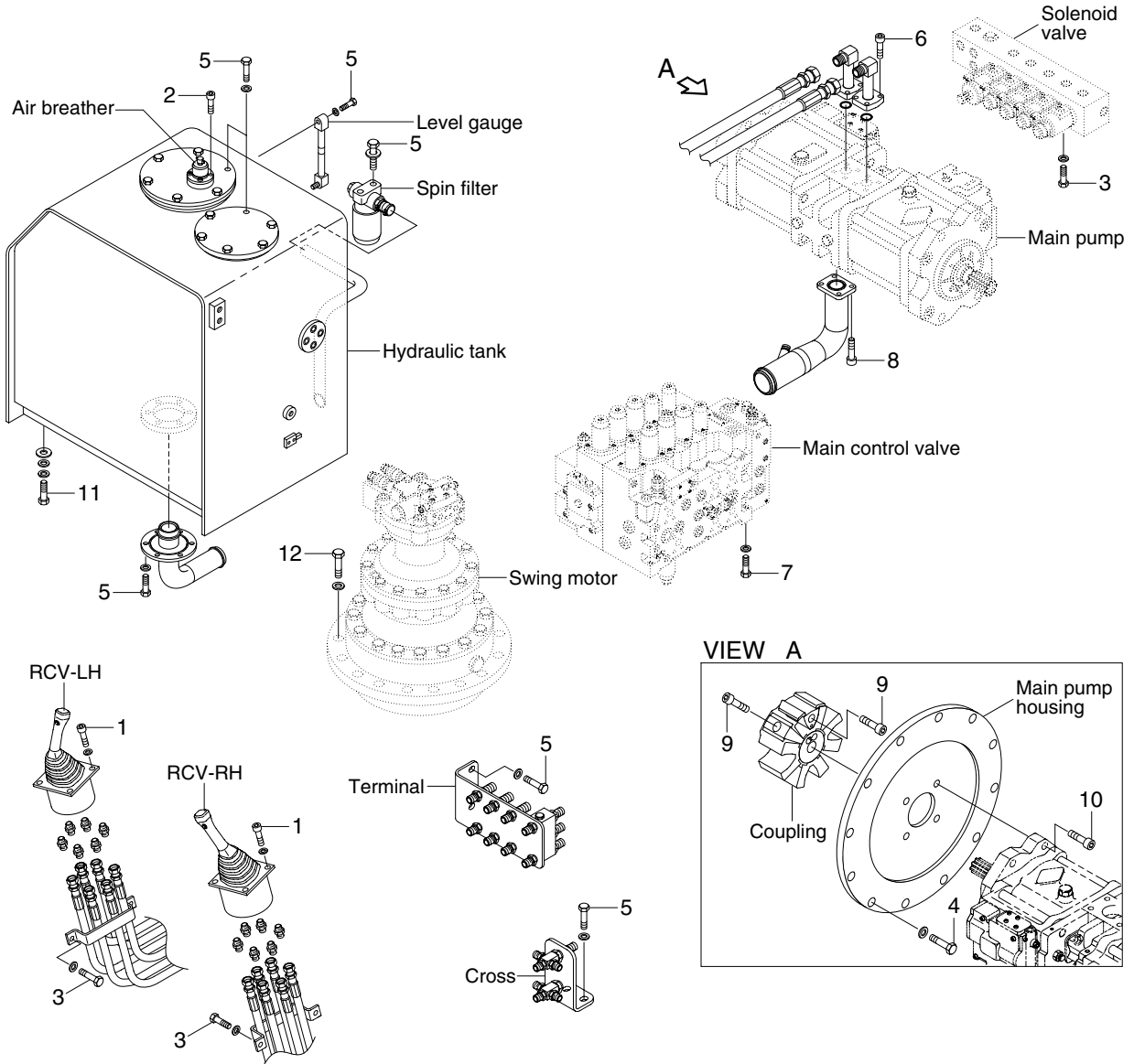


GROUP 4 HYDRAULIC SYSTEM

HYDRAULIC COMPONENTS MOUNTING 1



29079CM05

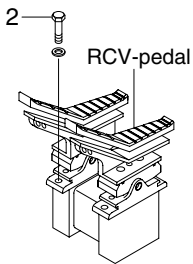
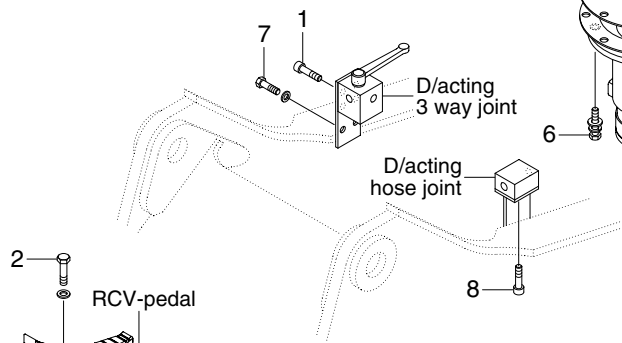
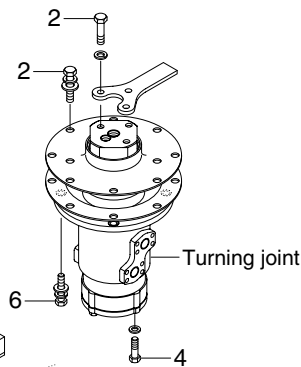
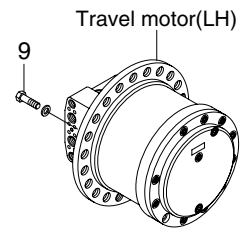
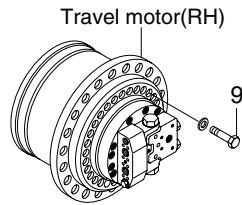
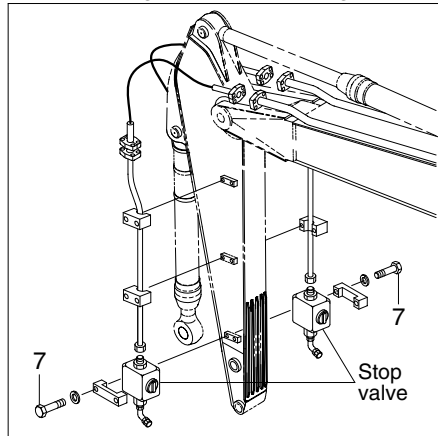
· Tightening torque

Item	Size	kgf · m	lbf · ft
1	M 6×1.0	1.05±0.2	7.6±1.45
2	M 6×1.0	1.44±0.3	10.4±2.2
3	M 8×1.25	2.5±0.5	18.1±3.6
4	M10×1.5	4.8±0.3	34.7±2.2
5	M10×1.5	6.9±1.4	49.9±10.1
6	M10×1.5	8.27±1.7	59.8±12.3

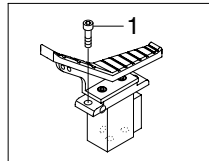
Item	Size	kgf · m	lbf · ft
7	M12×1.75	12.2±1.3	88.2±9.4
8	M12×1.75	14.7±2.2	106±15.9
9	M16×2.0	22±1.0	159±7.2
10	M20×2.5	42±4.5	304±32.5
11	M20×2.5	45±5.1	325±36.9
12	M20×2.5	57.9±8.7	419±62.9

HYDRAULIC COMPONENTS MOUNTING 2

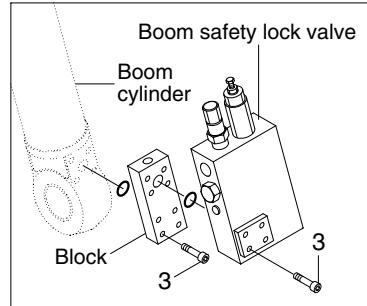
Double acting attachment piping



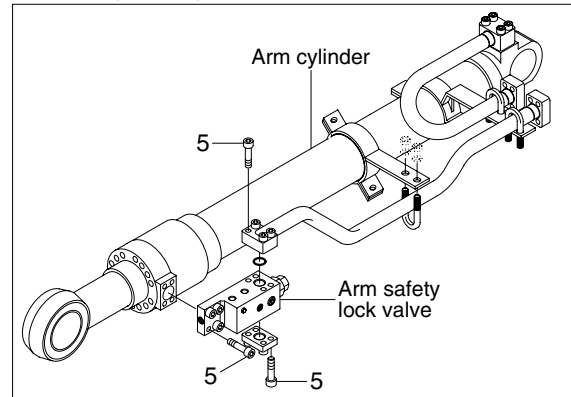
D/acting single pedal



Boom safety lock system



Arm safety lock system



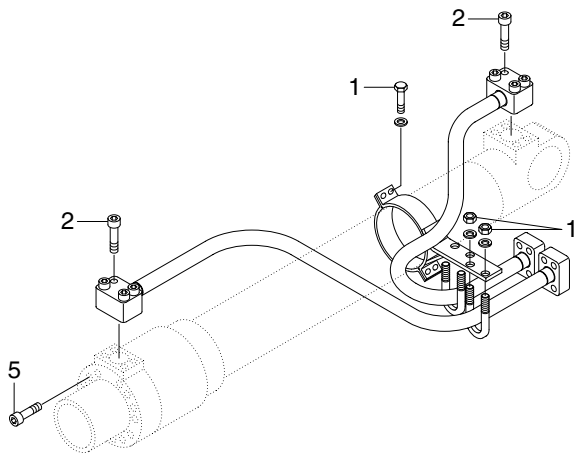
29079CM06

• Tightening torque

Item	Size	kgf · m	lbf · ft
1	M 8×1.25	4.05±0.8	29.3±5.8
2	M10×1.5	6.9±1.4	49.9±10.1
3	M10×1.5	8.27±1.7	59.8±12.3
4	M12×1.75	11.25±1.25	81.4±9.0
5	M12×1.75	12.0±1.3	86.8±9.4

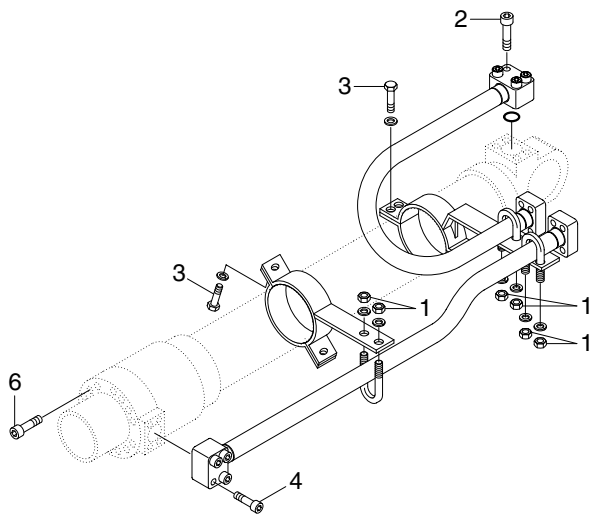
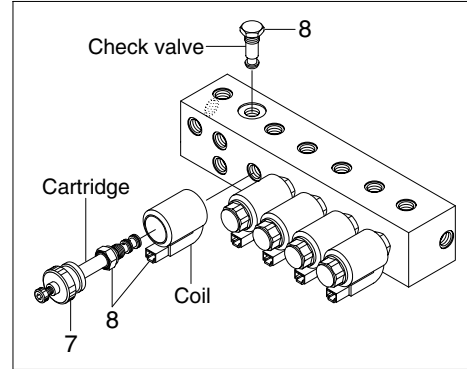
Item	Size	kgf · m	lbf · ft
6	M12×1.75	12.3±1.3	88.9±9.4
7	M12×1.75	12.8±3.0	92.6±21.7
8	M12×1.75	14.7±2.2	106±15.9
9	M16×2.0	23.0±2.5	166±18.1
-	-	-	-

HYDRAULIC COMPONENTS MOUNTING 3

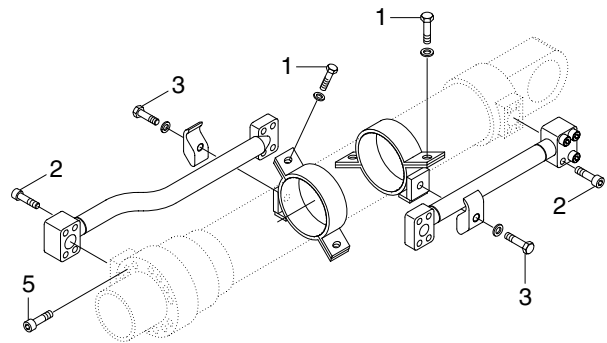


BOOM CYLINDER

Solenoid valve



ARM CYLINDER



BUCKET CYLINDER

29079CM07

· Tightening torque

Item	Size	kgf · m	lbf · ft
1	M10×1.5	3.2±0.3	23.1±2.2
2	M10×1.5	5.4±0.5	39.1±3.6
3	M12×1.75	5.5±0.6	39.8±4.3
4	M12×1.75	9.4±1.0	68.0±7.2

Item	Size	kgf · m	lbf · ft
5	M16×2.0	23±2.0	166±14.5
6	M18×2.5	32±3.0	232±21.7
7	-	0.5±0.1	3.6±0.7
8	-	2.8±0.2	20.3±1.4