

GROUP 4 CONNECTORS

1. CONNECTOR DESTINATION

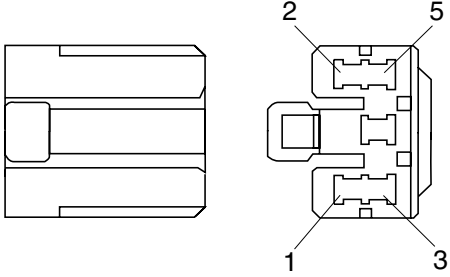
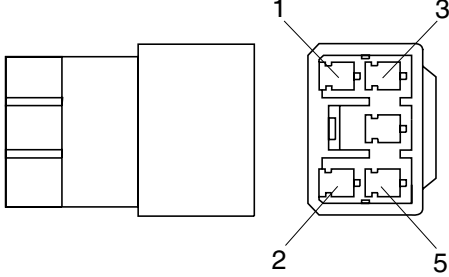
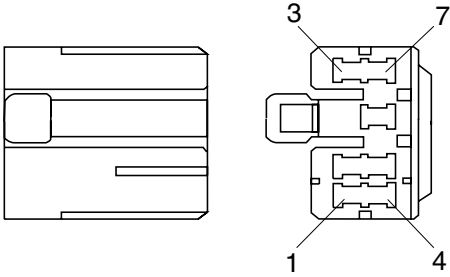
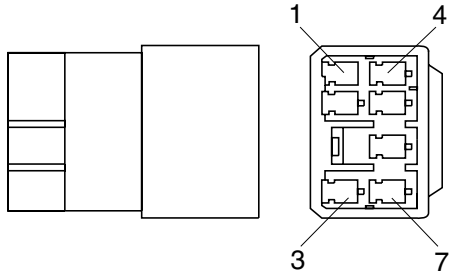
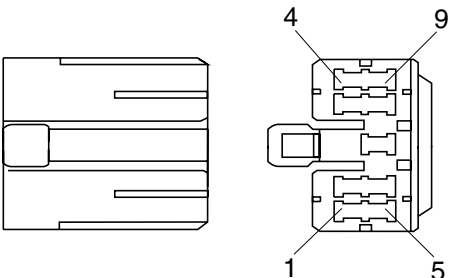
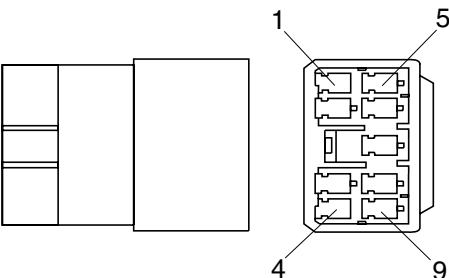
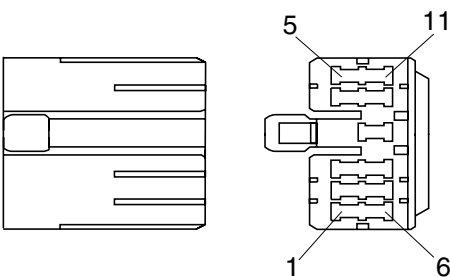
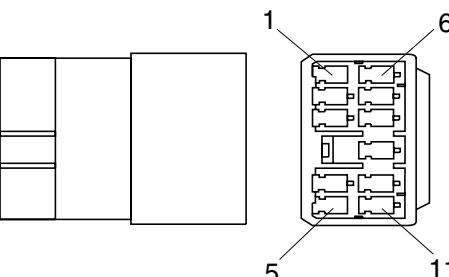
Connector number	Type	No. of pin	Destination	Connector part No.	
				Female	Male
CN-1	Econoseal J	6	l/conn(Pump ps harness-Frame harness)	S816-006002	S816-106002
CN-2	Econoseal J	12	l/conn(Engine harness 2-Frame harness)	2-85262-1	368301-1
CN-3	Econoseal J	8	l/conn(Engine harness 1-Frame harness)	S816-008002	S816-108002
CN-4	Econoseal J	8	l/conn(Console harness LH-Frame harness)	S816-008002	S816-108002
CN-5	Econoseal J	15	l/conn(Side harness RH-Frame harness)	2-85262-1	368301-1
CN-6	Econoseal J	12	l/conn(Side harness RH-Frame harness)	S816-012002	S816-112002
CN-7	Econoseal J	15	l/conn(Console harness RH-Frame harness)	2-85262-1	368301-1
CN-8	Econoseal J	12	l/conn(Console harness RH-Frame harness)	S816-012002	S816-112002
CN-9	Econoseal J	8	l/conn(Console harness RH-Frame harness)	S816-008002	S816-108002
CN-10	DEUTSCH	12	l/conn(Cab harness-Frame harness)	DT06-12S	DT04-12P
CN-11	DEUTSCH	8	l/conn(Air-con harness-Frame harness)	DT06-8SDT06-	DT04-8P
CN-12	DEUTSCH	2	Work lamp harness	2S	DT04-2P
CN-15	DEUTSCH	2	2pcs auto idle pressure	DT06-2S	DT04-2P
CN-17	DEUTSCH	8	l/conn (Side harness RH-Wiper motor harness)	DT06-8S	DT04-8P
CN-20	MOLEX	2	Horn	35215-0200	-
CN-21	AMP	6	Wiper motor	925276-0	-
CN-22	KET	2	Washer tank	MG640605	-
CN-23	KET	2	LH speaker	MG610070	-
CN-24	KET	2	RH speaker	MG610070	-
CN-25	MOLEX	2	Horn	35215-0200	-
CN-27	AMP	14	Cassette radio	173852	-
CN-28	MWP	1	Air-con compressor	NMWP01F-B	-
CN-29	KET	2	Receiver dryer	HG640795	-
CN-36	DEUTSCH	3	Fuse box	21N8-20191	-
CN-45	RING TERM	-	Start motor B+	ST710264-2	-
CN-47	AMP	2	Resistor	S810-002202	S810-102202
CN-48	AMP	2	Hour meter	S810-002202	-
CN-50	AMP	36	CPU controller	3441110	-
CN-51	AMP	36	CPU controller	3441110	-
CN-56	DEUTSCH	4	Cluster	-	DT04-4P
CN-60	YAZAKI	2	Fusible link	7123-412S-50	7122-412S-50
CN-61	DEUTSCH	2	Fuel filler pump	DT06-2S	-
CN-66	DEUTSCH	2	Breaker solenoid	DT06-2S	DT04-2P
CN-68	DEUTSCH	2	Safety solenoid	DT06-2S	DT04-2P
CN-70	DEUTSCH	2	Travel speed solenoid	DT06-2S	-
CN-74	RING-TERM	1	Alternator "1" term	S820-408000	-
CN-75	Econoseal J	2	EPPR valve	S816-002002	-
CN-76	DEUTSCH	6	DC motor	DT06-6S	-

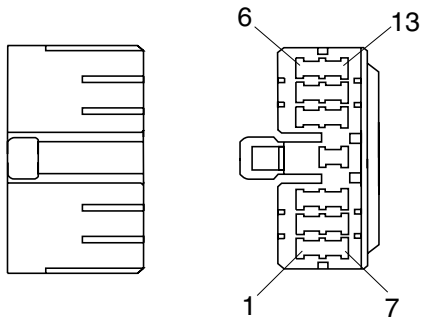
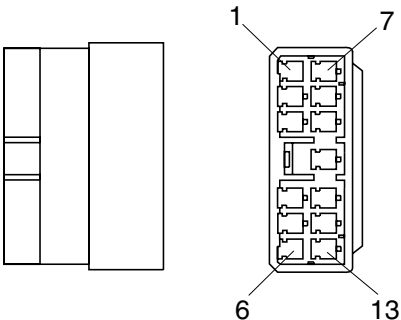
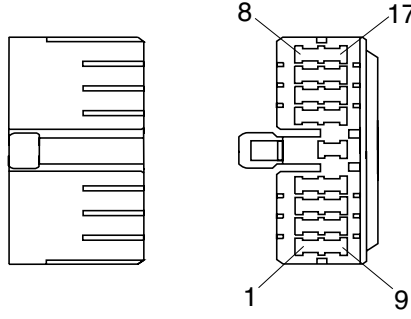
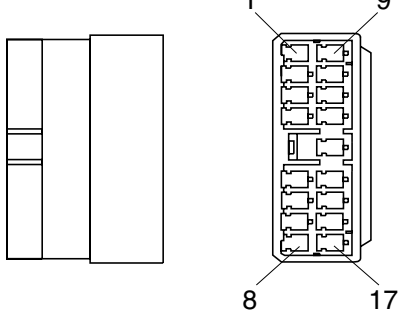
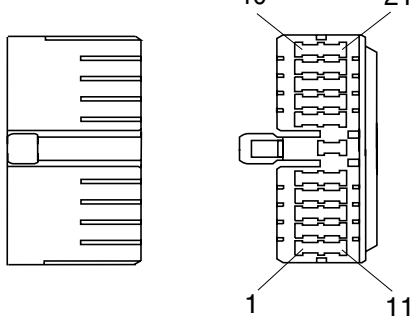
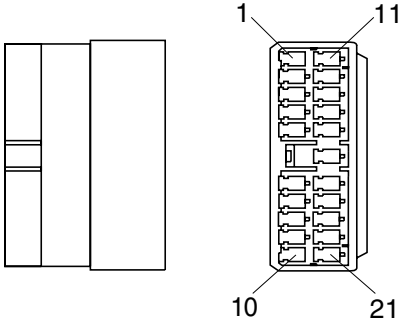
Connector number	Type	No. of pin	Destination	Connector part No.	
				Female	Male
CN-79	-	3	Fuel cut-off	S818-020311	-
CN-81	DEUTSCH	2	Travel alarm buzzer	DT06-2S	DT04-2P
CN-88	DEUTSCH	2	Power max solenoid valve	DT06-2S	-
CN-92	SWP	1	Emergency engine starting connector	S814-001001	S814-101001
CN-95	KET	2	Fusible link	S813-030201	S813-130200
CN-116	PA	17	Switch panel	S811-017002	-
CN-126	DEUTSCH	4	RS232 connector	DT06-4S	DT04-4P-E004
CN-133	DEUTSCH	2	Boom priority solenoid valve	DT06-2S	-
CN-137	DEUTSCH	2	Max flow solenoid valve	DT06-2S	-
CN-138	DEUTSCH	3	DC/DC converter	DT06-3S	DT04-3P
CN-139	DEUTSCH	2	12V Socket	DT06-2S	DT04-2P
CN-141	AMP	13	Wiper motor control unit	172498-1	-
CN-142	DEUTSCH	3	Accel dial	DT06-3S	-
CN-143	KET	14	Cassette radio(with remocon)	MG610406	-
CN-144	AMP	12	Remocon-cassette radio	174045-2	-
RELAY					
CR-1	RING TERM	1	Battery relay	S820-104002	-
CR-2	-	5	Horn relay	-	-
CR-5	-	5	Safety relay	-	-
CR-7	-	5	Ac comp relay	-	-
CR-23	KET	2	Start relay	S814-002001	S814-102001
CR-24	RING TERM	1	Pre-heater relay	S820-106000	-
CR-35	-	5	Power relay	-	-
CR-36	-	5	Pre-heat relay	-	-
SWITCH					
CS-1	SHUR	1	Door switch	S822-014004	-
CS-2	-	6	Start key switch	S814-006000	S814-106000
CS-4	DEUTSCH	3	Safety switch	DT06-3S	DT04-3P
CS-5	DEUTSCH	2	Horn switch	DT06-2S	DT04-2P
CS-7	DEUTSCH	6	Prolix switch	DT06-6S	-
CS-19	DEUTSCH	2	One touch decel	DT06-2S	DT04-2P
CS-20	AMP	1	Safety switch	S822-014002	-
CS-23	SWF	10	Beacon lamp switch	SWF593757	-
CS-26	DEUTSCH	2	Breaker switch	DT06-2S	DT04-2P
CS-26A	Econseal J	2	Breaker pedal	S816-002002	S816-102002
CS-27	SWF	10	Breaker switch	SWF593757	-
CS-29	DEUTSCH	2	Power max switch	DT06-2S	DT04-2P
CS-50	SWF	10	Overload switch	SWF593757	-
CS-52	SWF	10	Spare switch	SWF593757	-
CS-53	SHUR	1	Wiper cut switch	S822-014002	-
CS-54	SWF	10	Spare switch	SWF593757	-
CS-60	RING-TERM	1	Reset button	S820-205002	-

Connector number	Type	No. of pin	Destination	Connector part No.	
				Female	Male
CS-61	RING-TERM	1	Reset button	S820-305002	-
CS-67	SWF	10	Quick clamp switch	SWF593757	-
LAMP					
CL-1	KET	2	Cabin room lamp	MG610406	-
CL-2	AMP	1	Cigar light	S822-014002	-
CL-4	DEUTSCH	2	Head lamp	DT06-2S	DT04-2P
CL-5	DEUTSCH	2	Work lamp-LH	DT06-2S	DT04-2P
CL-6	DEUTSCH	2	Work lamp-RH	DT06-2S	DT04-2P
CL-7	SHUR	1	Beacon lamp	S822-014004	S822-114004
CL-8	DEUTSCH	2	Cabin ligh-LH	DT06-2S	DT04-2P
CL-9	DEUTSCH	2	Cabin light-RH	DT06-2S	DT04-2P
SENDER					
CD-1	AMP	2	Hydraulic oil temp sender	85202-1	-
CD-2	DEUTSCH	2	Fuel sender	DT06-2S	DT04-2P
CD-6	KET	3	Travel pressure switch	MG640795	-
CD-7	KET	3	Working pressure switch	MG640795	-
CD-8	AMP	2	Water temp sender	85202-1	-
CD-10	RING TERM	1	Air cleaner switch	S820-104002	-
CD-16	KET	2	Water level	S814-002100	S814-102100
CD-17	-	2	Tacho sensor	-	S818-120221
CD-18	RING TERM	1	Engine oil pressure switch	S820-104000	-
CD-31	DEUTSCH	2	Overload pressure switch	DT06-2S	DT04-2P
CD-42	Econoseal J	3	Pump pressure 1	S816-003002	S816-103002
CD-43	Econoseal J	3	Pump pressure 2	S816-003002	S816-103002
CD-44	Econoseal J	3	Pump pressure 3	S816-003002	S816-103002
DIODE					
DO-1	AMP	2	-	21EA-50550	-
DO-2	AMP	2	-	21EA-50550	-
DO-3	AMP	2	-	21EA-50550	-
DO-5	AMP	2	-	21EA-50550	-

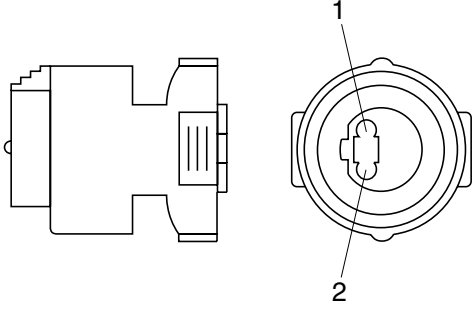
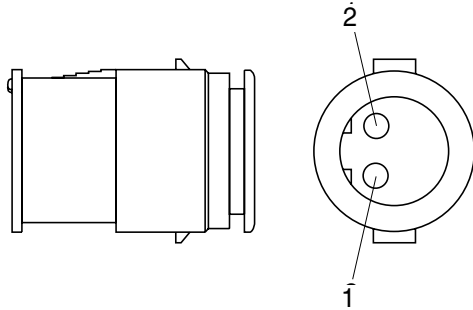
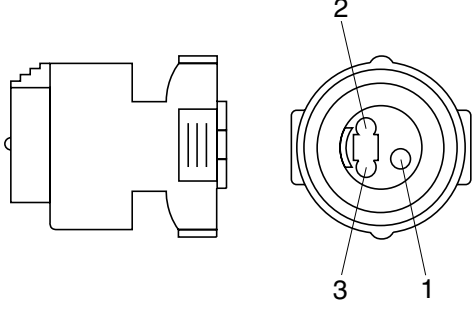
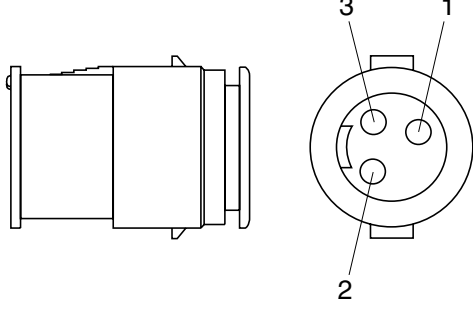
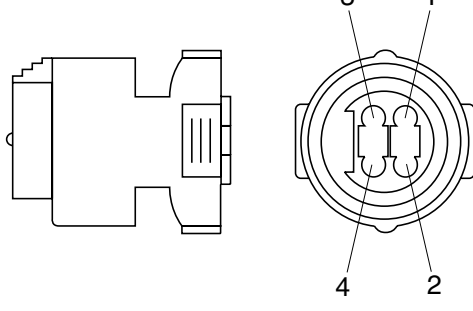
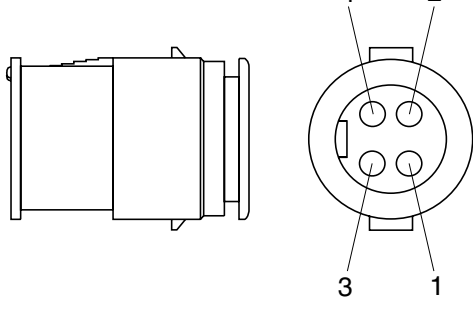
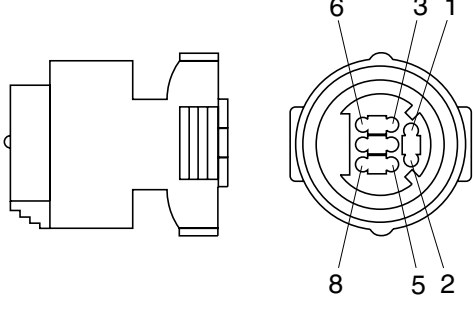
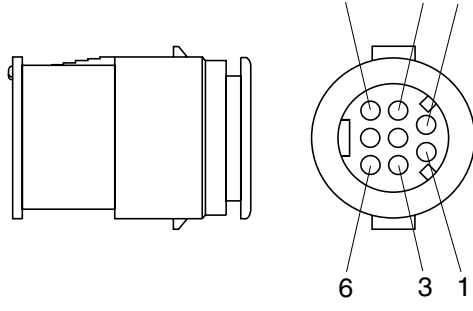
2. CONNECTION TABLE FOR CONNECTORS

1) PA TYPE CONNECTOR

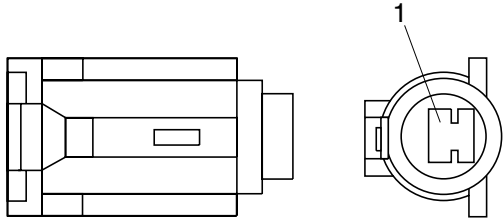
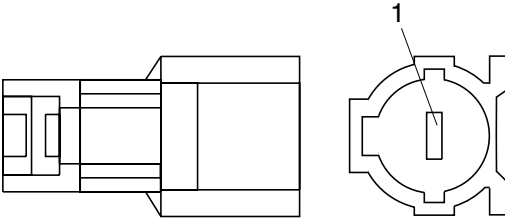
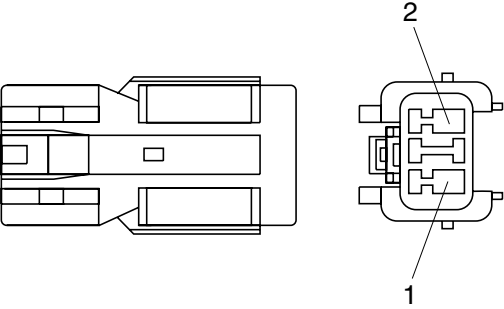
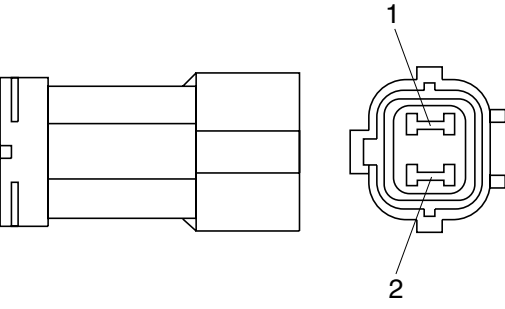
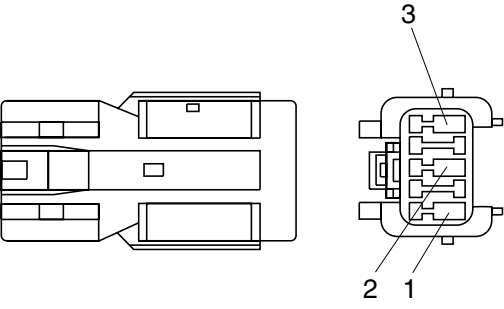
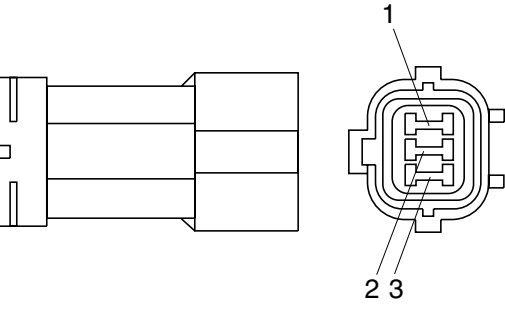
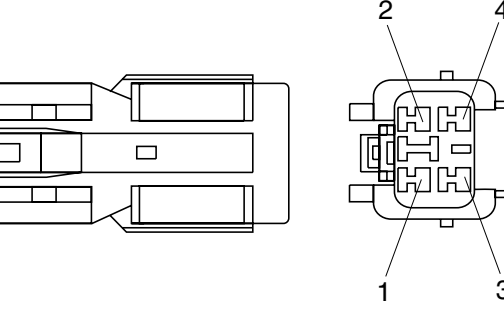
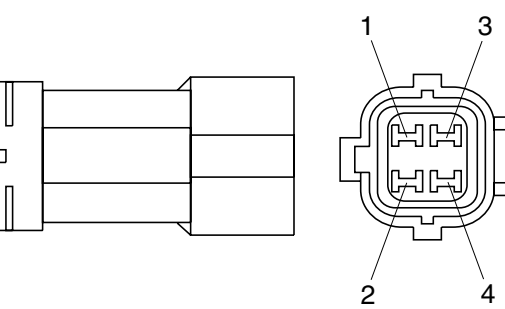
No. of pin	Receptacle connector(Female)	Plug connector(Male)
5	 <p style="text-align: center;">S811-005002</p>	 <p style="text-align: center;">S811-105002</p>
7	 <p style="text-align: center;">S811-007002</p>	 <p style="text-align: center;">S811-107002</p>
9	 <p style="text-align: center;">S811-009002</p>	 <p style="text-align: center;">3S811-109002</p>
11	 <p style="text-align: center;">S811-011002</p>	 <p style="text-align: center;">S811-111002</p>

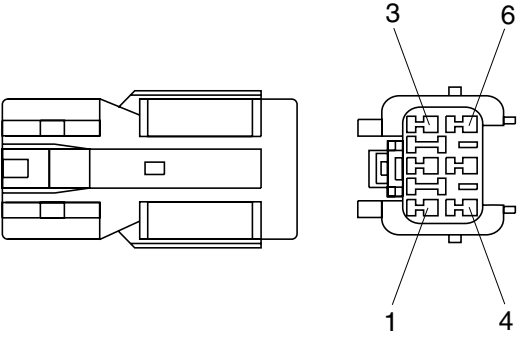
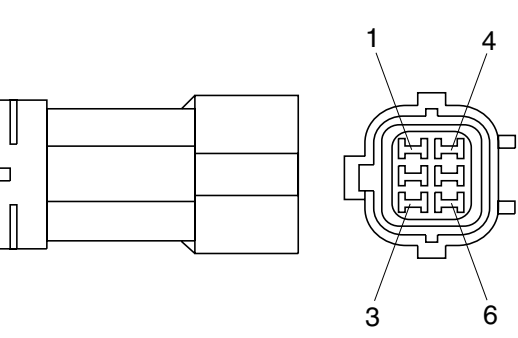
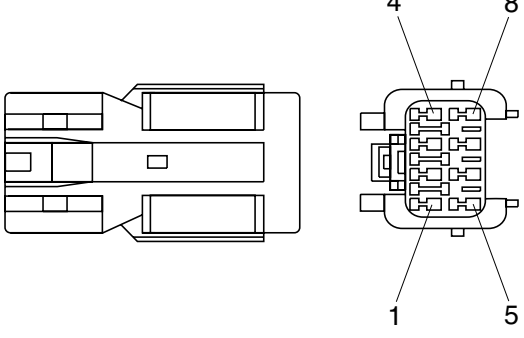
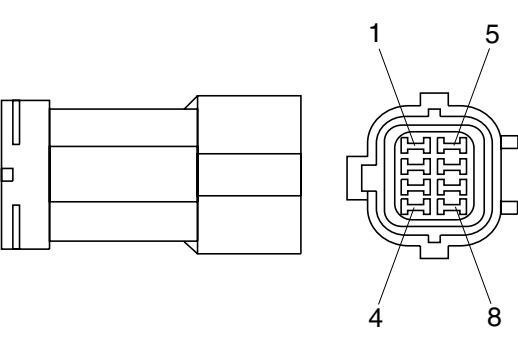
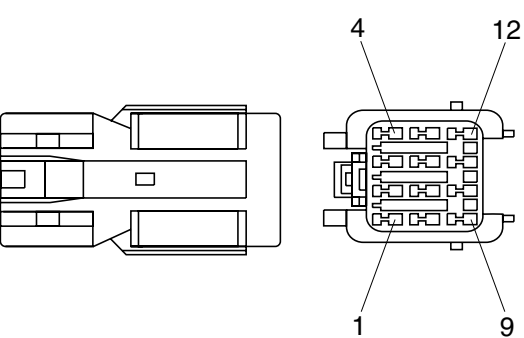
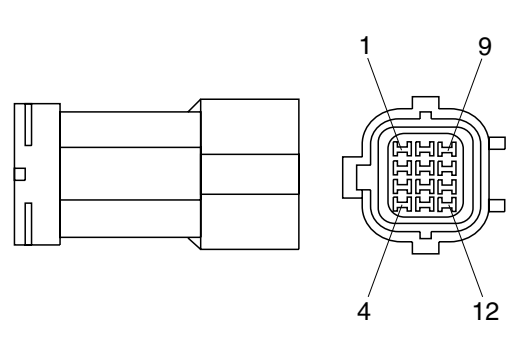
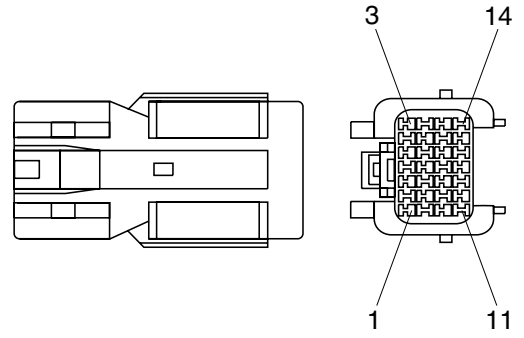
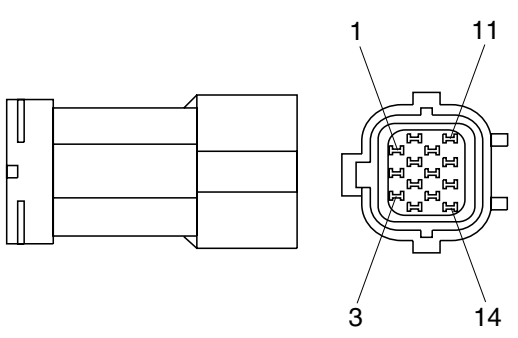
No. of pin	Receptacle connector(Female)	Plug connector(Male)
13	 <p data-bbox="691 629 839 658">S811-013002</p>	 <p data-bbox="1246 629 1394 658">S811-113002</p>
17	 <p data-bbox="691 1041 839 1070">S811-017002</p>	 <p data-bbox="1246 1041 1394 1070">S811-117002</p>
21	 <p data-bbox="691 1447 839 1476">S811-021002</p>	 <p data-bbox="1246 1447 1394 1476">S811-121002</p>

2) J TYPE CONNECTOR

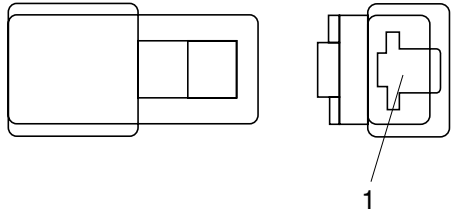
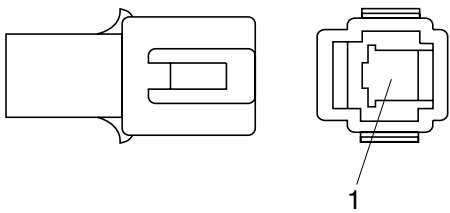
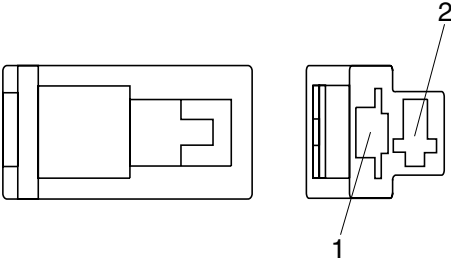
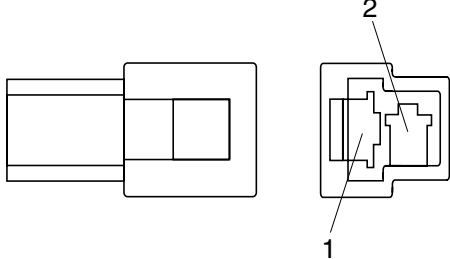
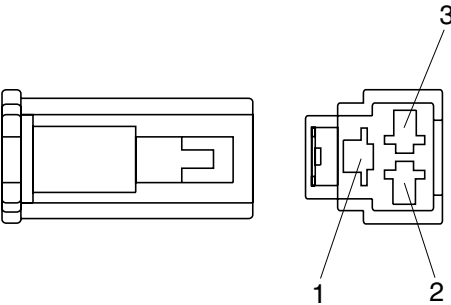
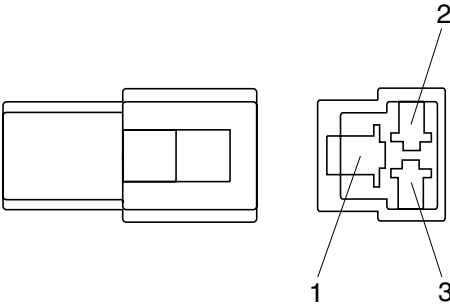
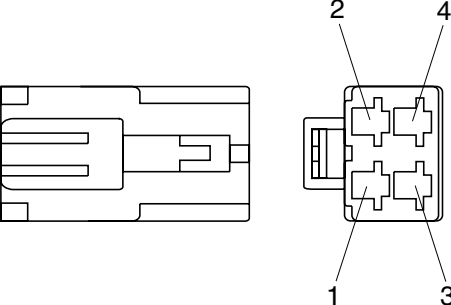
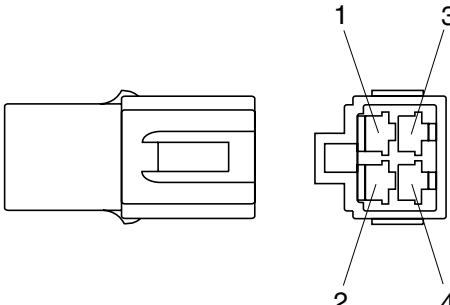
No. of pin	Receptacle connector(Female)	Plug connector(Male)
2	 <p data-bbox="687 678 836 707">S816-002001</p>	 <p data-bbox="1238 678 1386 707">S816-102001</p>
3	 <p data-bbox="687 1088 836 1117">S816-003001</p>	 <p data-bbox="1238 1088 1386 1117">S816-103001</p>
4	 <p data-bbox="687 1498 836 1527">S816-004001</p>	 <p data-bbox="1238 1498 1386 1527">S816-104001</p>
8	 <p data-bbox="687 1908 836 1937">S816-008001</p>	 <p data-bbox="1238 1908 1386 1937">S816-108001</p>

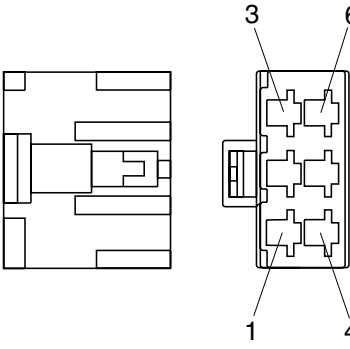
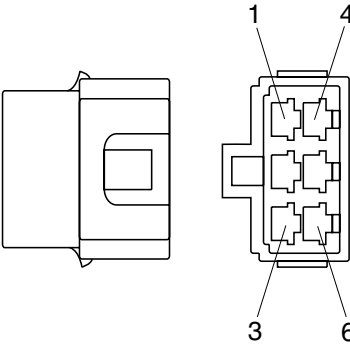
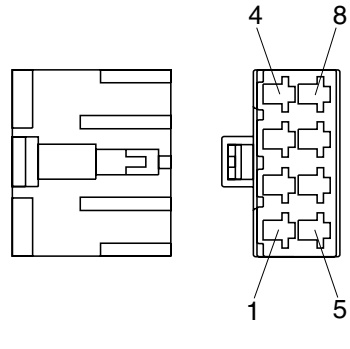
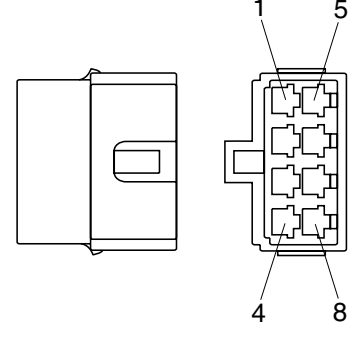
3) SWP TYPE CONNECTOR

No. of pin	Receptacle connector(Female)	Plug connector(Male)
1	 <p data-bbox="689 674 837 703">S814-001000</p>	 <p data-bbox="1246 674 1394 703">S814-101000</p>
2	 <p data-bbox="689 1077 837 1106">S814-002000</p>	 <p data-bbox="1246 1077 1394 1106">S814-102000</p>
3	 <p data-bbox="689 1487 837 1516">S814-003000</p>	 <p data-bbox="1246 1487 1394 1516">S814-103000</p>
4	 <p data-bbox="689 1895 837 1924">S814-004000</p>	 <p data-bbox="1246 1895 1394 1924">S814-104000</p>

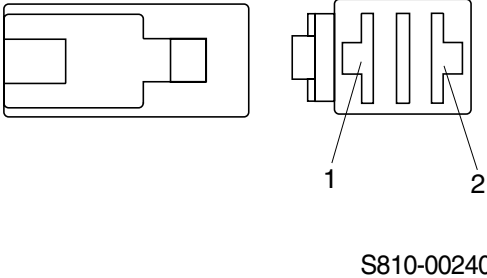
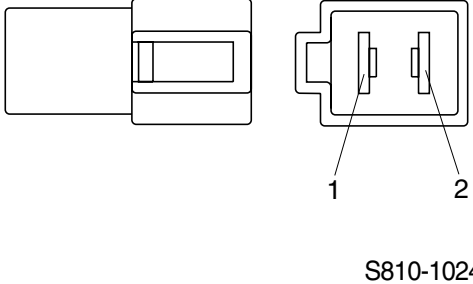
No. of pin	Receptacle connector(Female)	Plug connector(Male)
6	 <p data-bbox="686 627 837 660">S814-006000</p>	 <p data-bbox="1244 627 1396 660">S814-106000</p>
8	 <p data-bbox="686 1041 837 1075">S814-008000</p>	 <p data-bbox="1244 1041 1396 1075">S814-108000</p>
12	 <p data-bbox="686 1444 837 1478">S814-012000</p>	 <p data-bbox="1244 1444 1396 1478">S814-112000</p>
14	 <p data-bbox="686 1848 837 1881">S814-014000</p>	 <p data-bbox="1244 1848 1396 1881">S814-114000</p>

4) CN TYPE CONNECTOR

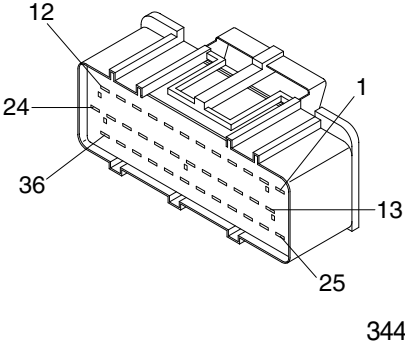
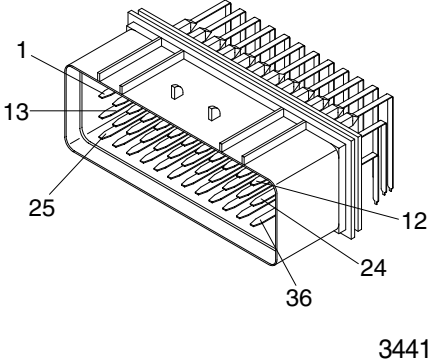
No. of pin	Receptacle connector(Female)	Plug connector(Male)
1	 <p style="text-align: center;">S810-001202</p>	 <p style="text-align: center;">S810-101202</p>
2	 <p style="text-align: center;">S810-002202</p>	 <p style="text-align: center;">S810-102202</p>
3	 <p style="text-align: center;">S810-003202</p>	 <p style="text-align: center;">S810-103202</p>
4	 <p style="text-align: center;">S810-004202</p>	 <p style="text-align: center;">S810-104202</p>

No. of pin	Receptacle connector(Female)	Plug connector(Male)
6	 <p data-bbox="686 627 837 660">S810-006202</p>	 <p data-bbox="1244 627 1396 660">S810-106202</p>
8	 <p data-bbox="686 1041 837 1075">S810-008202</p>	 <p data-bbox="1244 1041 1396 1075">S810-108202</p>

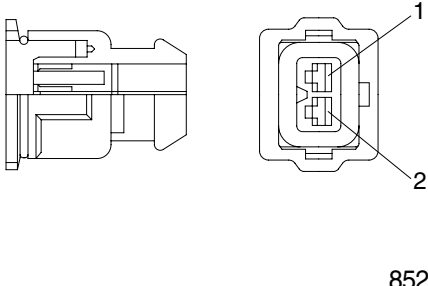
5) 375 FASTEN TYPE CONNECTOR

No. of pin	Receptacle connector(Female)	Plug connector(Male)
2	 <p style="text-align: center;">S810-002402</p>	 <p style="text-align: center;">S810-102402</p>

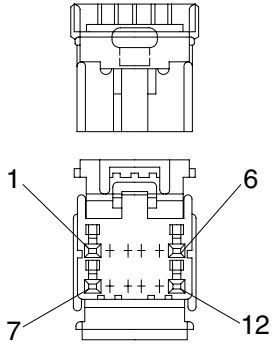
6) AMP ECONOSEAL CONNECTOR

No. of pin	Receptacle connector(Female)	Plug connector(Male)
36	 <p style="text-align: center;">344111-1</p>	 <p style="text-align: center;">344108-1</p>

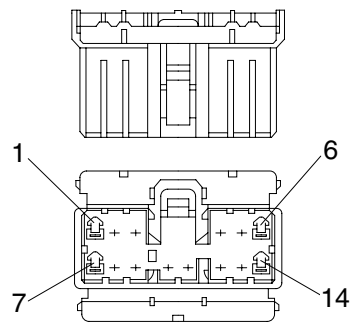
7) AMP TIMER CONNECTOR

No. of pin	Receptacle connector(Female)	Plug connector(Male)
2	 <p style="text-align: center;">85202-1</p>	

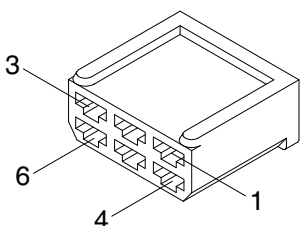
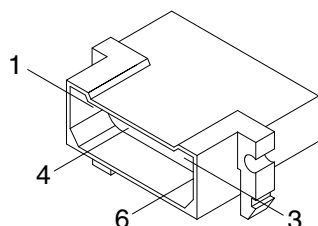
8) AMP 040 MULTILOCK CONNECTOR

No. of pin	Receptacle connector(Female)	Plug connector(Male)
12	 <p style="text-align: right;">174045-2</p>	

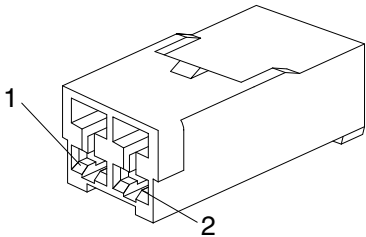
9) AMP 070 MULTILOCK CONNECTOR

No. of pin	Receptacle connector(Female)	Plug connector(Male)
14	 <p style="text-align: right;">173852</p>	

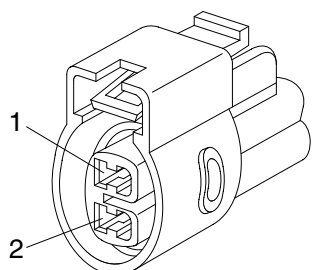
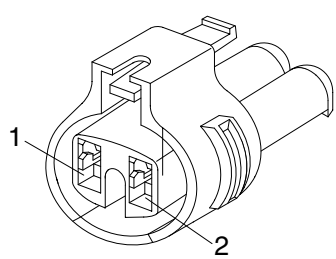
10) AMP FASTIN - FASTON CONNECTOR

No. of pin	Receptacle connector(Female)	Plug connector(Male)
6	 <p style="text-align: right;">925276-0</p>	 <p style="text-align: right;">480003-9</p>

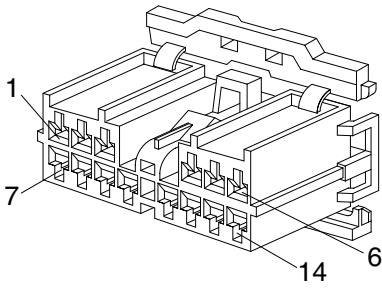
11)KET 090 CONNECTOR

No. of pin	Receptacle connector(Female)	Plug connector(Male)
2	 <p style="text-align: right;">MG610070</p>	

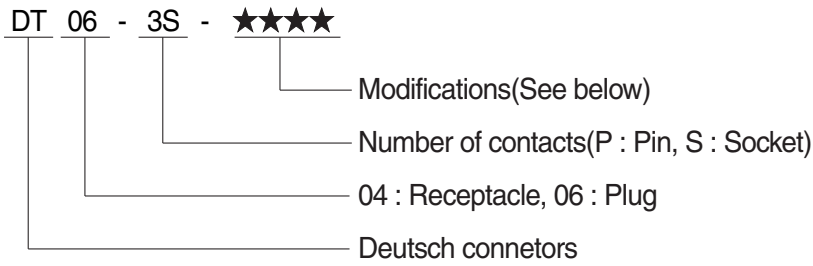
12)KET 090 WP CONNECTORS

No. of pin	Receptacle connector(Female)	Plug connector(Male)
2	 <p style="text-align: right;">MG640605</p>	
2	 <p style="text-align: right;">MG640795</p>	

13) KET SDL CONNECTOR

No. of pin	Receptacle connector(Female)	Plug connector(Male)
14	 <p style="text-align: center;">MG610406</p>	

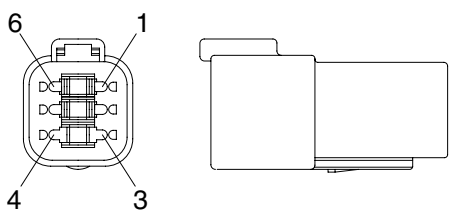
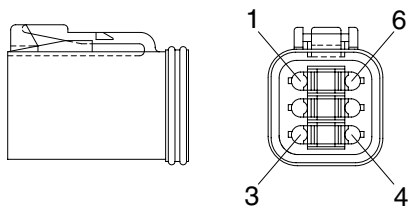
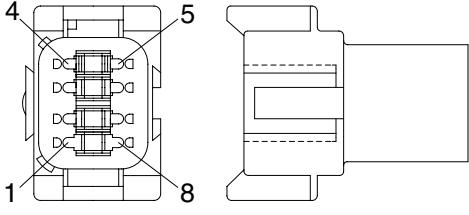
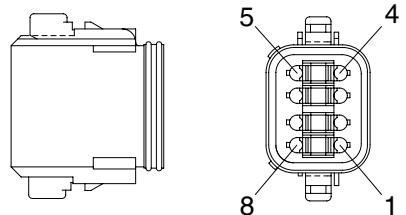
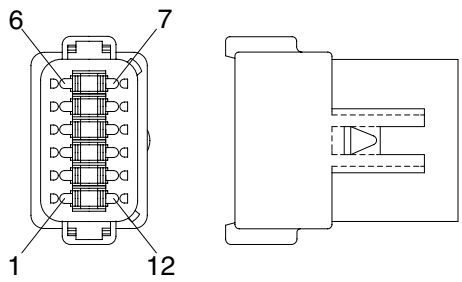
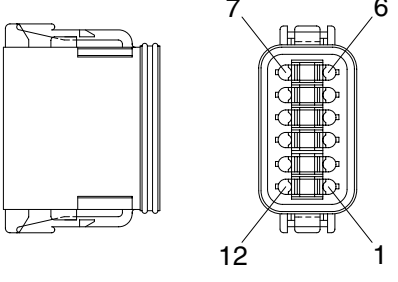
14) DEUTSCH DT CONNECTORS



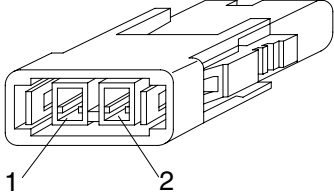
※ Modification

- E003 : Standard end cap - gray
- E004 : Color of connector to be black
- E005 : Combination - E004 & E003
- EP04 : End cap
- EP06 : Combination P012 & EP04
- P012 : Front seal enhancement - connectors color to black for 2, 3, 4 & 6pin

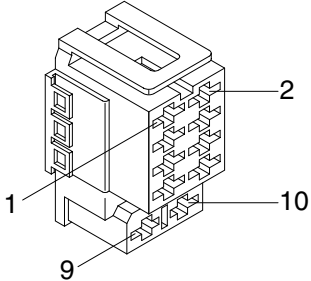
No. of pin	Receptacle connector(Female)	Plug connector(Male)
2	<p style="text-align: right;">DT06-2S</p>	<p style="text-align: right;">DT04-2P</p>
3	<p style="text-align: right;">DT06-3S</p>	<p style="text-align: right;">DT04-3P</p>
4	<p style="text-align: right;">DT06-4S</p>	<p style="text-align: right;">DT04-4P</p>

No. of pin	Receptacle connector(Female)	Plug connector(Male)
6	 <p style="text-align: right;">DT06-6S</p>	 <p style="text-align: right;">DT04-6P</p>
8	 <p style="text-align: right;">DT06-8S</p>	 <p style="text-align: right;">DT04-8P</p>
12	 <p style="text-align: right;">DT06-12S</p>	 <p style="text-align: right;">DT04-12P</p>

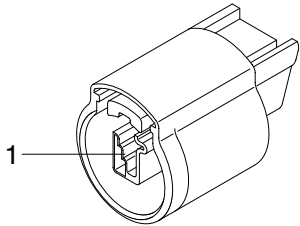
15) MOLEX 2CKTS CONNECTOR

No. of pin	Receptacle connector(Female)	Plug connector(Male)
2	 <p data-bbox="705 676 837 705">35215-0200</p>	

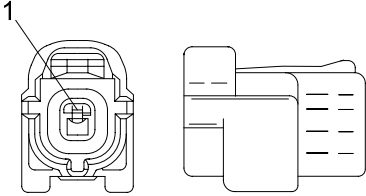
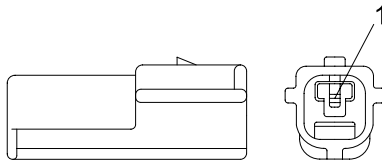
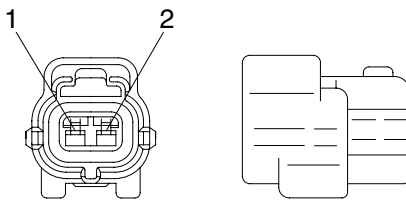
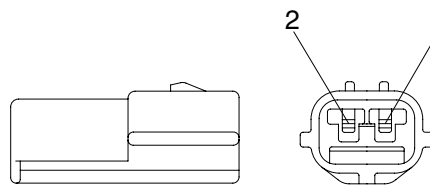
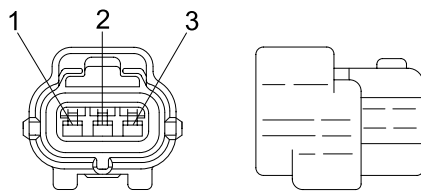
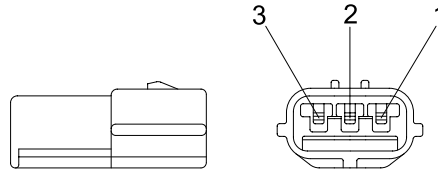
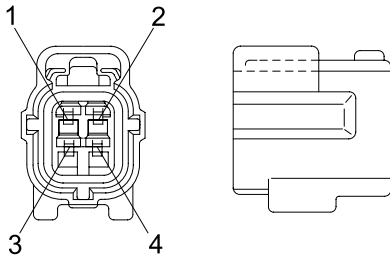
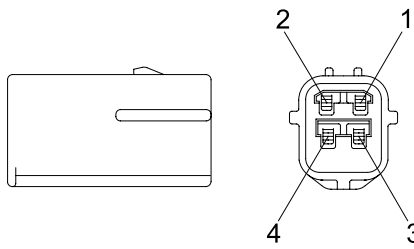
16) ITT SWF CONNECTOR

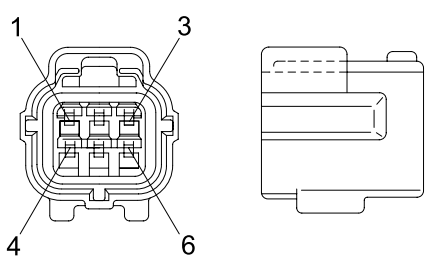
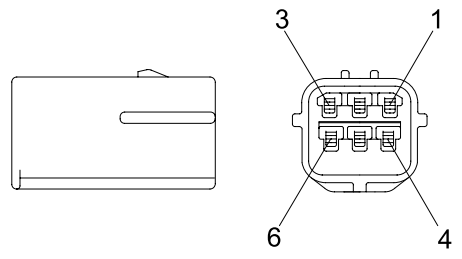
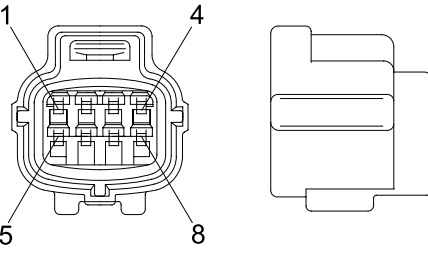
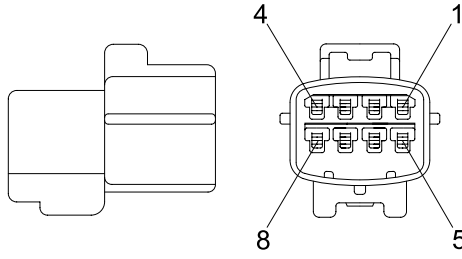
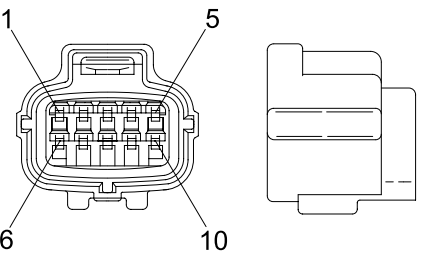
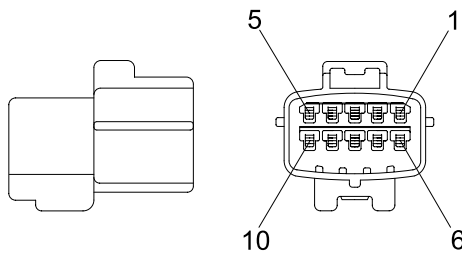
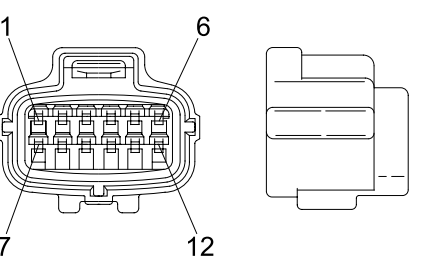
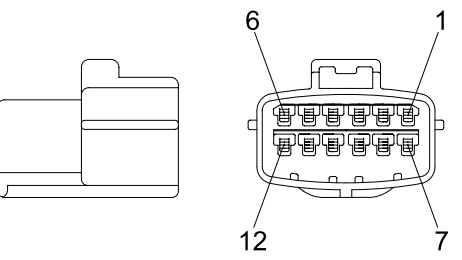
No. of pin	Receptacle connector(Female)	Plug connector(Male)
10	 <p data-bbox="699 1281 837 1310">SWF593757</p>	

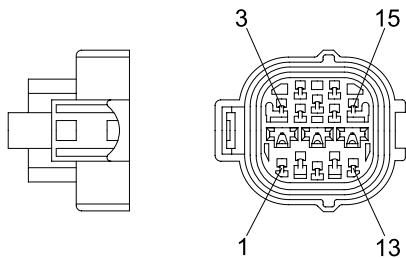
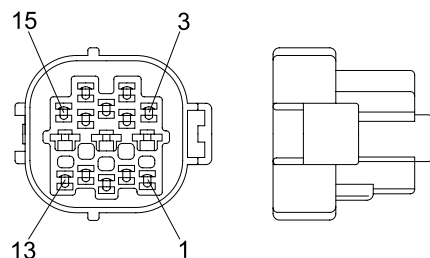
17) MWP NMWP CONNECTOR

No. of pin	Receptacle connector(Female)	Plug connector(Male)
1	 <p data-bbox="689 1886 837 1915">NMWP01F-B</p>	

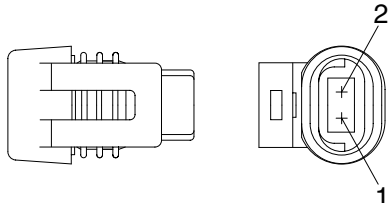
18) ECONOSEAL J TYPE CONNECTORS

No. of pin	Receptacle connector(Female)	Plug connector(Male)
1	 <p data-bbox="689 676 837 705">S816-001002</p>	 <p data-bbox="1248 676 1396 705">S816-101002</p>
2	 <p data-bbox="689 1079 837 1108">S816-002002</p>	 <p data-bbox="1248 1079 1396 1108">S816-102002</p>
3	 <p data-bbox="689 1482 837 1512">S816-003002</p>	 <p data-bbox="1248 1482 1396 1512">S816-103002</p>
4	 <p data-bbox="689 1892 837 1921">S816-004002</p>	 <p data-bbox="1248 1892 1396 1921">S816-104002</p>

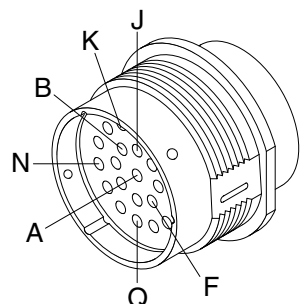
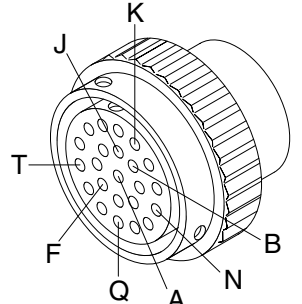
No. of pin	Receptacle connector(Female)	Plug connector(Male)
6	 <p data-bbox="686 627 837 660">S816-006002</p>	 <p data-bbox="1244 627 1396 660">S816-106002</p>
8	 <p data-bbox="686 1030 837 1064">S816-008002</p>	 <p data-bbox="1244 1030 1396 1064">S816-108002</p>
10	 <p data-bbox="686 1433 837 1467">S816-010002</p>	 <p data-bbox="1244 1433 1396 1467">S816-110002</p>
12	 <p data-bbox="686 1836 837 1870">S816-012002</p>	 <p data-bbox="1244 1836 1396 1870">S816-112002</p>

No. of pin	Receptacle connector(Female)	Plug connector(Male)
15	 <p style="text-align: center;">368301-1</p>	 <p style="text-align: center;">2-85262-1</p>

19) METRI-PACK TYPE CONNECTOR

No. of pin	Receptacle connector(Female)	Plug connector(Male)
2	 <p style="text-align: center;">12040753</p>	

20) DEUTSCH HD30 CONNECTOR

No. of pin	Receptacle connector(Female)	Plug connector(Male)
23	 <p style="text-align: center;">HD36-24-23SN</p>	 <p style="text-align: center;">HD34-24-23PN</p>