

## GROUP 5 SWING DEVICE

### A. SWING DEVICE(T3X150CHB, UP TO #1937)

#### 1. REMOVAL AND INSTALL OF MOTOR

##### 1) REMOVAL

- (1) Lower the work equipment to the ground and stop the engine.
- (2) Operate the control levers and pedals several times to release the remaining pressure in the hydraulic piping.
- (3) Loosen the breather slowly to release the pressure inside the hydraulic tank.

**▲ Escaping fluid under pressure can penetrate the skin causing serious injury.**

※ When pipes and hoses are disconnected, the oil inside the piping will flow out, so catch it in oil pan.

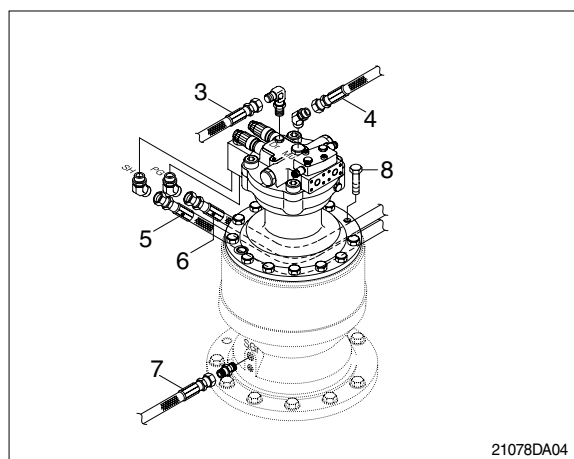
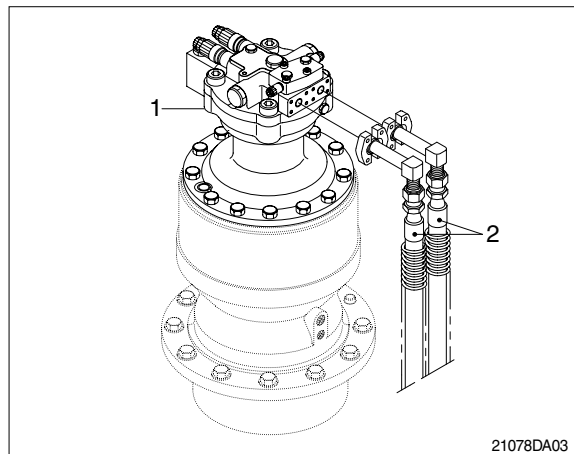
- (4) Disconnect hose assembly(2).
- (5) Disconnect pilot line hoses(3, 4, 5, 6, 7).
- (6) Sling the swing motor assembly(1) and remove the swing motor mounting bolts (8).

· Motor device weight : 230kg(507lb)

- (7) Remove the swing motor assembly.  
※ When removing the swing motor assembly, check that all the piping have been disconnected.

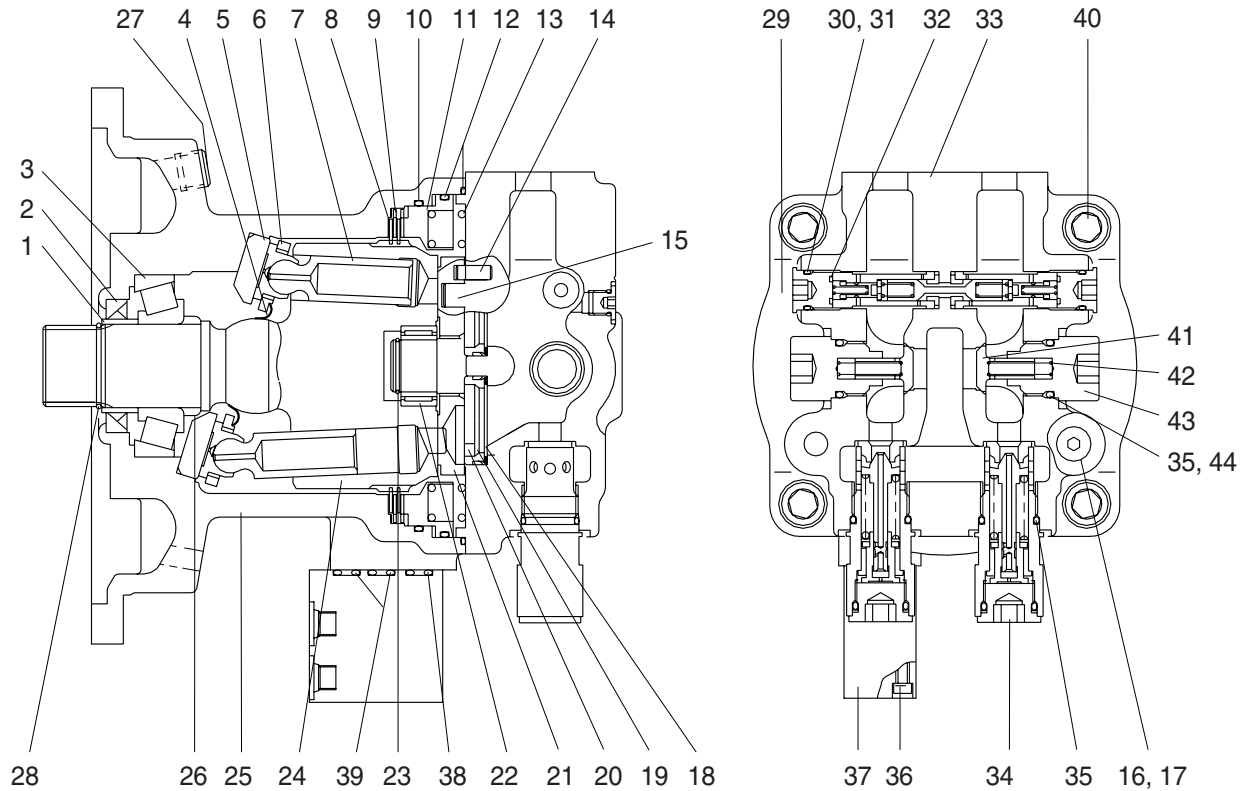
##### 2) INSTALL

- (1) Carry out installation in the reverse order to removal.
- (2) Bleed the air from the swing motor.
  - ① Remove the air vent plug.
  - ② Pour in hydraulic oil until it overflows from the port.
  - ③ Tighten plug lightly.
  - ④ Start the engine, run at low idling and check oil come out from plug.
  - ⑤ Tighten plug fully.
- (3) Confirm the hydraulic oil level and check the hydraulic oil leak or not.



## 2. DISASSEMBLY AND ASSEMBLY OF SWING MOTOR

### 1) STRUCTURE



21072SF04

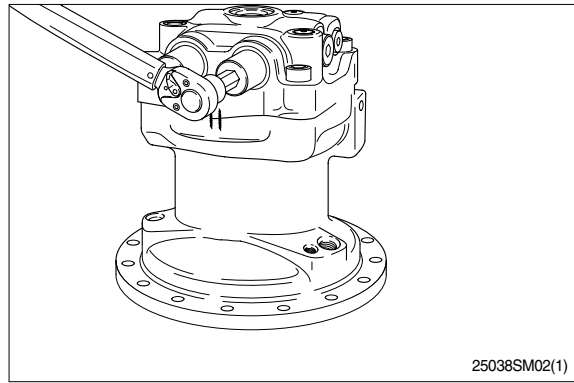
- |    |                      |    |                       |    |                     |
|----|----------------------|----|-----------------------|----|---------------------|
| 1  | Inner ring           | 16 | Cap                   | 31 | O-ring              |
| 2  | Oil seal             | 17 | O-ring                | 32 | O-ring              |
| 3  | Taper roller bearing | 18 | Coned disc spring     | 33 | Cover               |
| 4  | Backing spring       | 19 | Teflon ring           | 34 | Relief assembly     |
| 5  | Cam plate            | 20 | Bushing               | 35 | O-ring              |
| 6  | Return plate         | 21 | Balance plate         | 36 | Hexagon socket bolt |
| 7  | Piston assembly      | 22 | Needle bearing        | 37 | Time delay valve    |
| 8  | Lining plate         | 23 | Snap ring             | 38 | O-ring              |
| 9  | Plate                | 24 | Cylinder              | 39 | O-ring              |
| 10 | O-ring               | 25 | Housing               | 40 | Hexagon socket bolt |
| 11 | Piston               | 26 | Collar                | 41 | Check               |
| 12 | O-ring               | 27 | Plug                  | 42 | Spring              |
| 13 | Spring               | 28 | Snap ring             | 43 | Cap                 |
| 14 | Parallel pin         | 29 | Bypass valve assembly | 44 | Back up ring        |
| 15 | Piston               | 30 | Back up ring          |    |                     |

## 2) DISASSEMBLY

### (1) Removal of relief valve assembly

Remove cap of relief valve assembly(35) with 14mm hexagonal wrench.

- ※ Assemble removed relief valve assembly (35) to original state when reassembling.

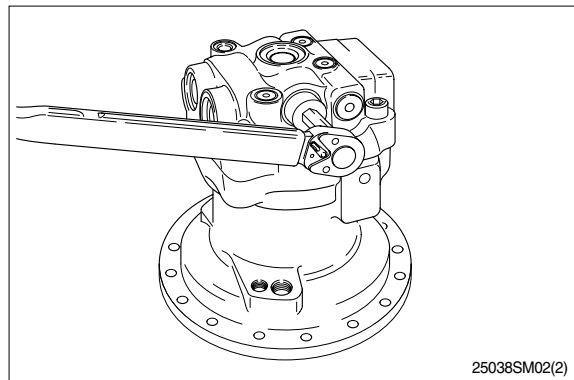


### (2) Removal of make up valve and bypass valve assembly

Loosen cap(43) with 14mm hexagonal wrench, and remove check valve(41) and spring(42).

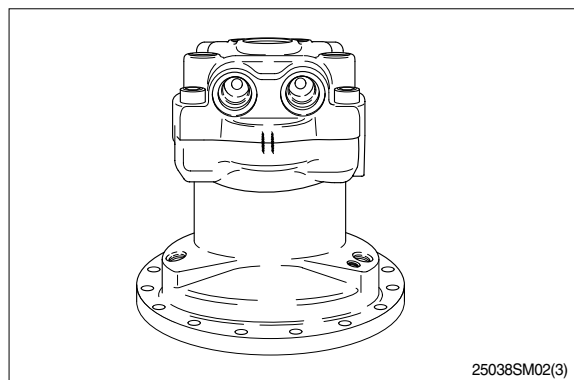
Remove bypass valve assembly(30) with 10mm hexagonal wrench.

- ※ Assemble removed bypass valve assembly(29) to original state when reassembling.



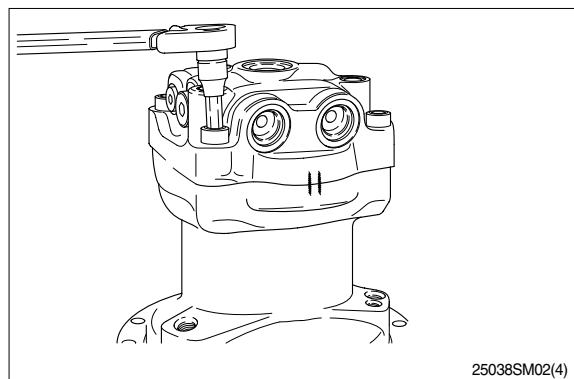
### (3) Marking at swing motor

Before disassembling motor, make a matching mark between cover(33) and housing(26) for easy reassembling.



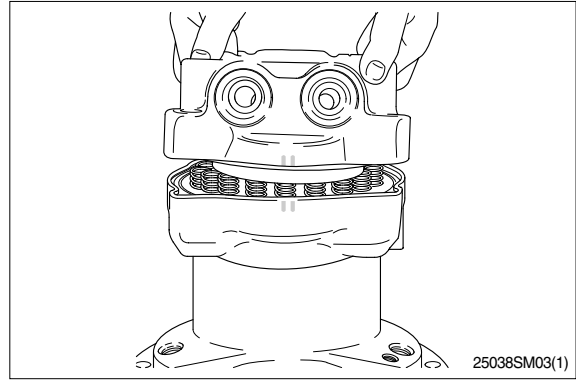
### (4) Remove mounting bolts of cover

Loosen hexagon socket bolt(37) with 14mm hexagonal wrench.

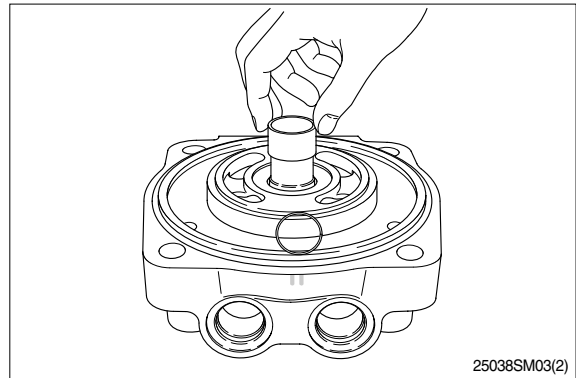


**(5) Removal of cover assembly**

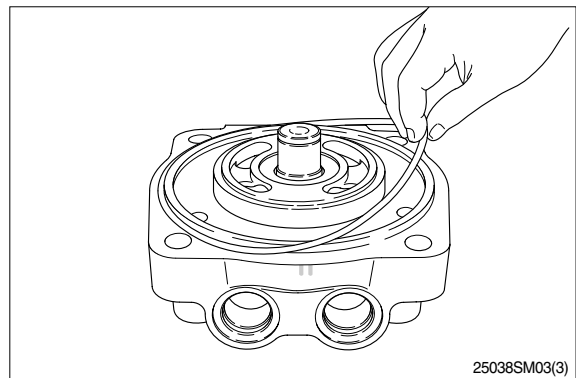
Place shaft of motor assembly to downward and take cover(33) out.



**(6) Remove snap ring(23) with steel pointer and remove inner race of needle-bearing(22) by bearing puller.**



**(7) Remove O-ring(12) from cover.**

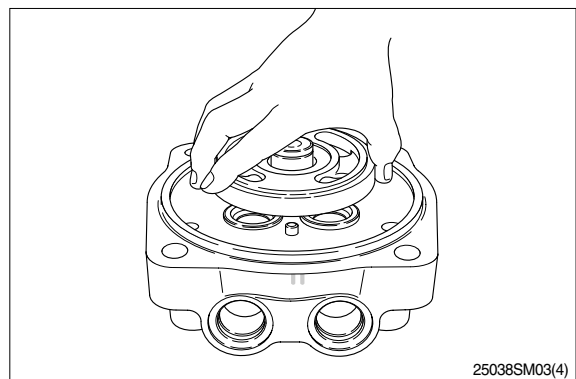


**(8) Remove balance plate**

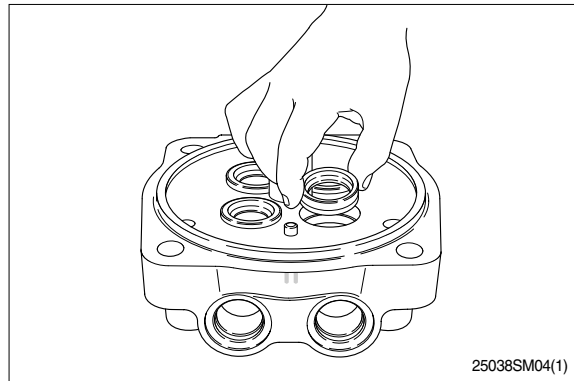
Balance plate(21) is adhered on end surface of cylinder(24) by oil viscosity. Take off balance plate(21) with hands. Assembling method of balance plate(21) depends on cover(34).

(Band groove and round groove of high - low pressure transmission area)

Before removing, check and record location of balance plate(21) to prevent misassembling.

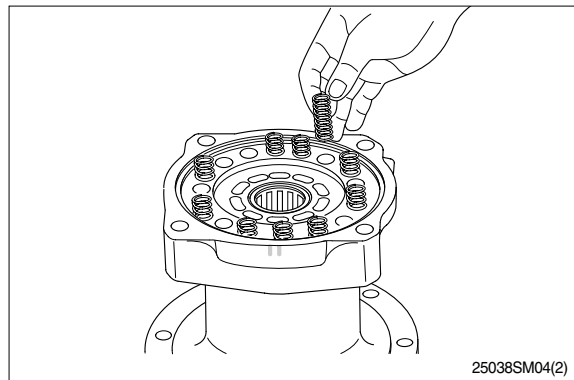


- (9) Remove bushing(20) and coned disk spring (18) from teflon ring(19).



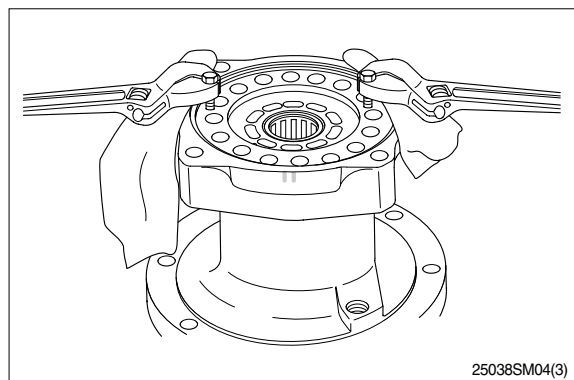
**(10) Removal of spring(13, brake area)**

Remove spring(13) from piston(11).  
Check and record original position of each spring(14) for correct assembling.

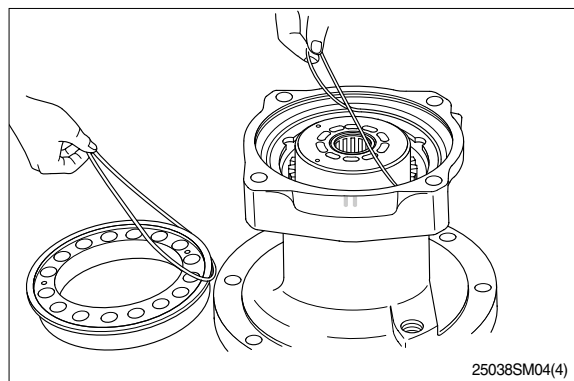


**(11) Removal of brake piston**

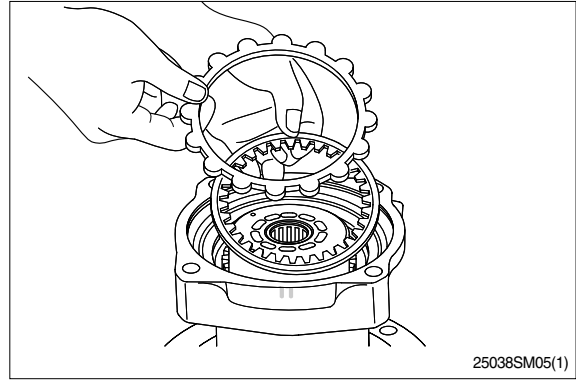
When removing piston(11) from housing (25), there is a sliding resistance against tightening of O-rings(10,12). Use tap hole(M6) on piston(11) as shown in the picture.



- (12) Remove O-rings(10,12) from piston(11) and housing(25).



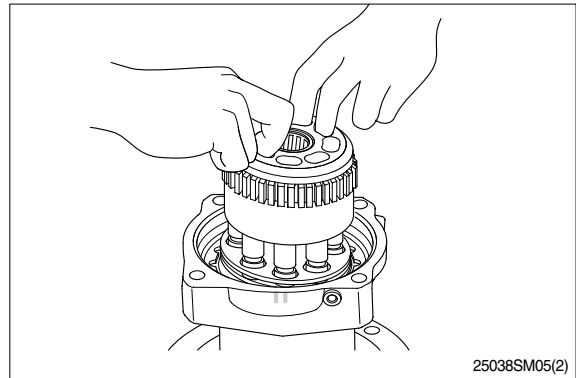
- (13) Remove friction plate(9) and lining plate (8) from housing(25).



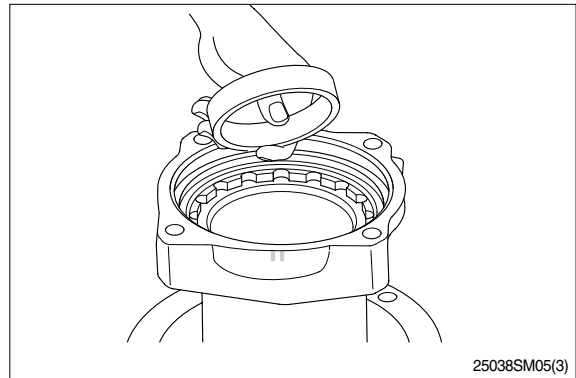
**(14) Removal of cylinder assembly**

Holding end of cylinder assembly(24) with hand, draw out cylinder assembly from housing.

- ※ Oil seal(2) and outer race of taper roller bearing(3) are left inside of housing.
- ※ End surface of cylinder(24) is sliding face . So, protect the surface with a scrap of cloth against damage.
- ※ Make a matching mark on piston hole of cylinder(24) and piston assembly(7) to fit piston into the same hole when reassembling.



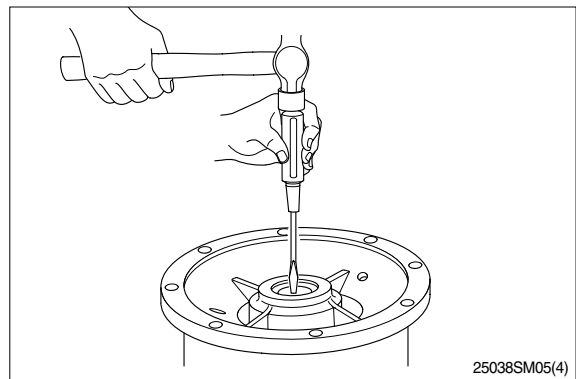
- (15) Separate outer race of taper roller bearing(3) from housing.



**(16) Removal of oil seal**

Remove oil seal(2) from housing(25) with driver and hammer.

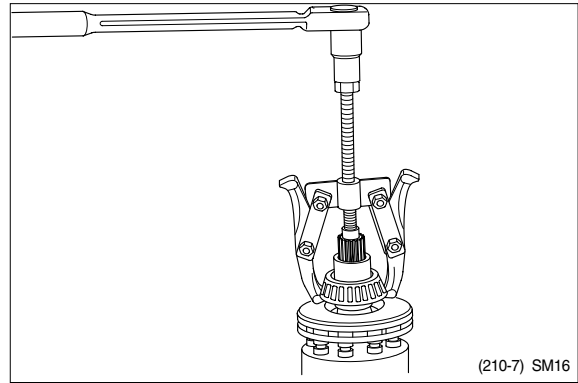
- ※ Do not reuse oil seal after removal.



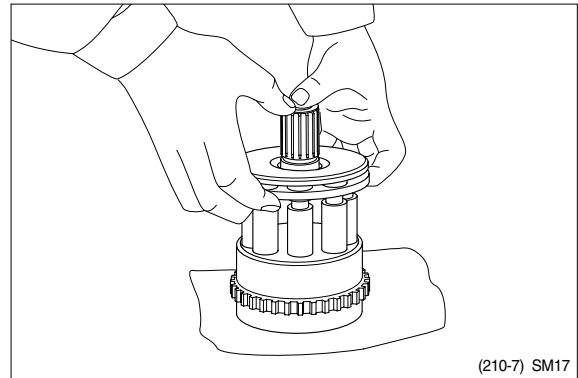
### (17) Disassembly of cylinder assembly

- ① Removal of inner race of taper roller bearing(3).

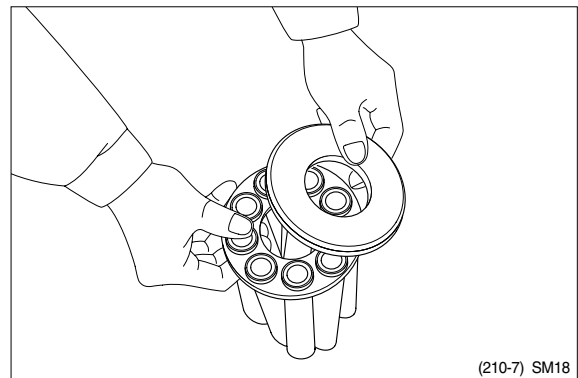
After removing snap ring(28), lift out cylinder(24) with 2 inner race of roller bearing(3) by applying gear puller at the end of spline in the cylinder.



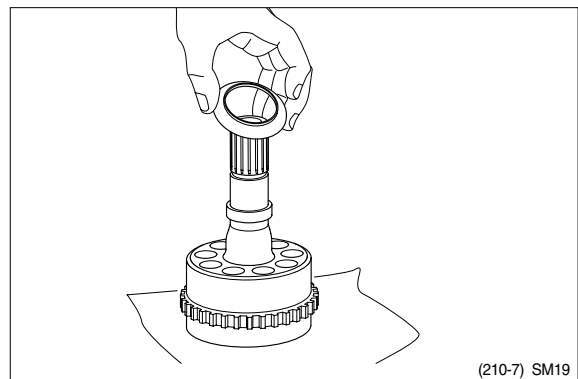
- ② Separate cam plate(5), piston assembly (7), return plate(6) from cylinder(24).



- ③ Get cam plate(5) slide on sliding face of piston assembly(7) and remove it.  
※ Be cautious not to damage on sliding face of cam plate.



- ④ Remove backing spring(4) from cylinder (24).



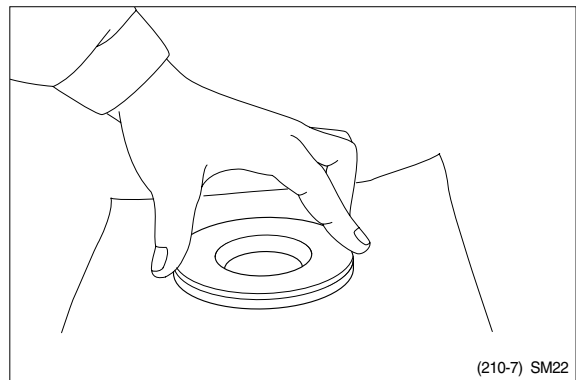
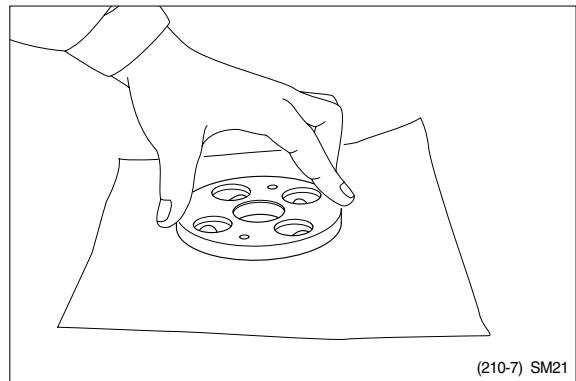
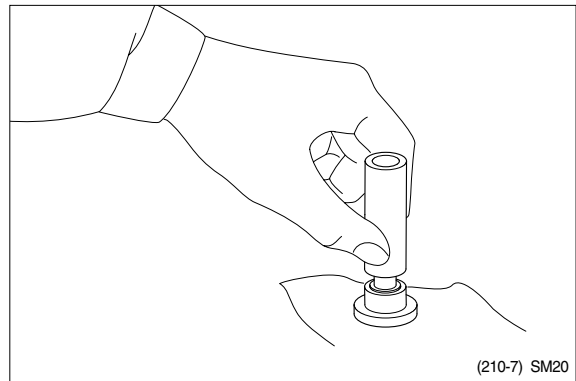
This completes disassembly.

### 3) ASSEMBLY

#### (1) Preparation

Before reassembling, perform below procedure.

- ① Check each part for damage caused by using or disassembling. If damaged, eliminate damage by grinding with proper sandpaper, wash them with cleaning oil and dry with compressed air.
- ② Replace seal with new one.
- ③ Grind sliding face of piston assembly(7), balance plate(21) and cam plate(5) with sandpaper #2000.

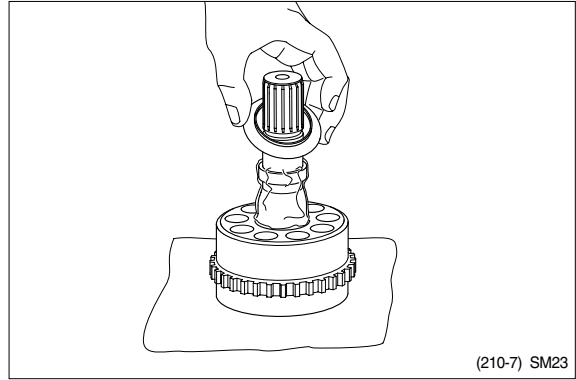


- ④ When assembling, lubricate with specified clean hydraulic oil.
- ⑤ When assembling piston assembly(7) to piston hole of cylinder(24), check matching mark between them.

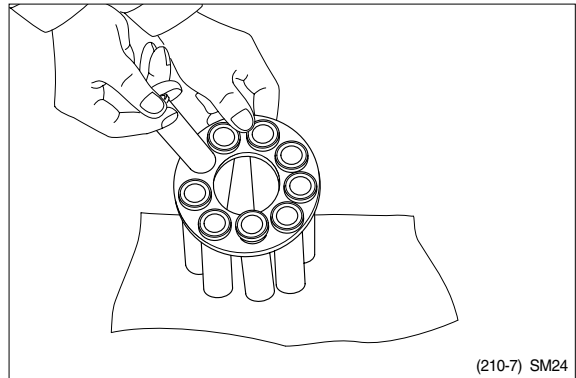


## (2) Cylinder assembly

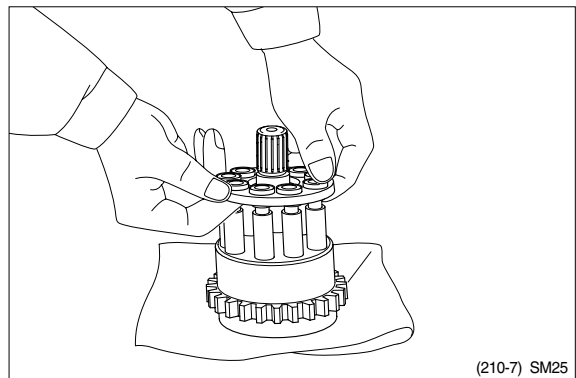
- ① Lubricate grease on round area (Contacting area with spring(4)) of cylinder(24) and assemble spring(4).



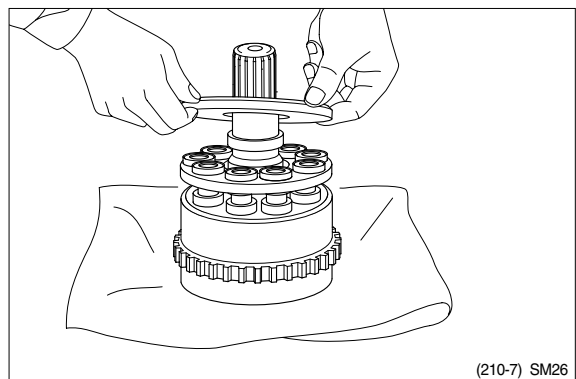
- ② Insert piston assembly(7) in hole of return plate(6).



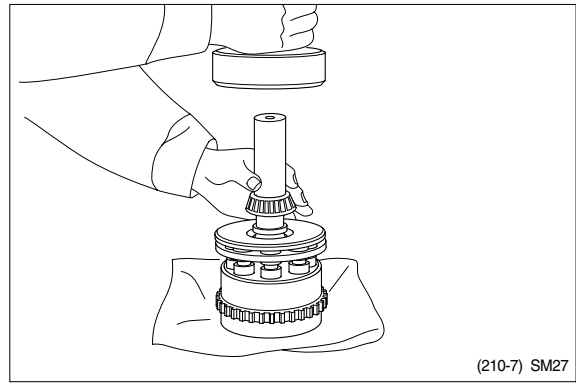
- ③ Assemble piston assembly(7) and return plate(6) to cylinder(24). When assembling, check matching mark between them. Before assembling, lubricate specified hydraulic oil in piston hole of cylinder(24).



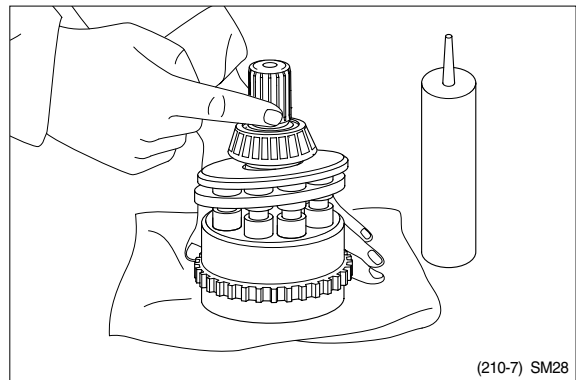
- ④ Lubricate specified hydraulic oil on shoe sliding face of piston assembly(7) and assemble cam plate(5).



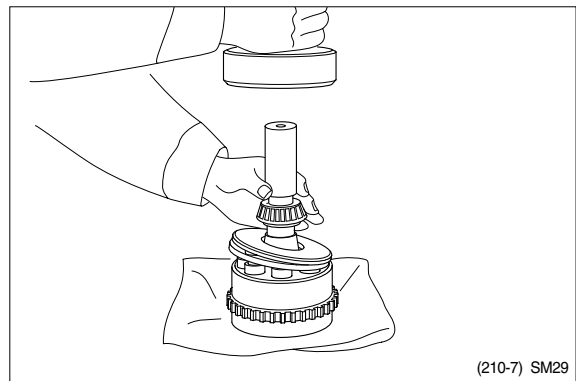
- ⑤ Assemble inner race of taper roller bearing(3) to cylinder(24).



- ⑥ Apply loctite to bearing mounting area of inner race of cylinder(24) lightly.



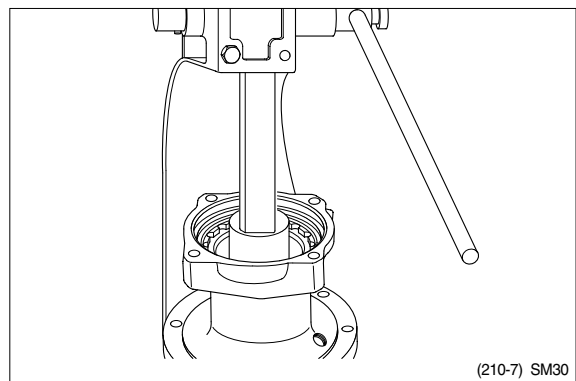
- ⑦ Assemble inner race(1) to cylinder(24).



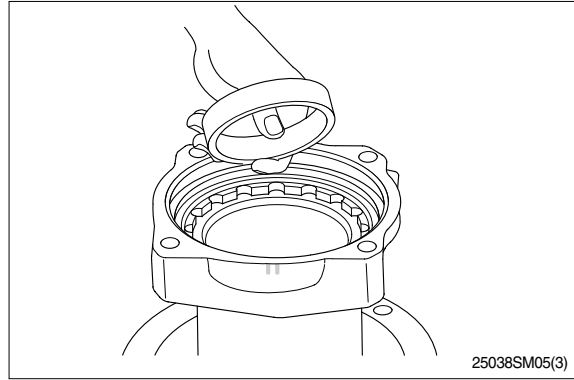
### (3) Oil seal

Apply three bond of white color on outer surface of oil seal(2) and assemble and insert it.

- ※ Before assembling, lubricate lip of oil seal with grease.



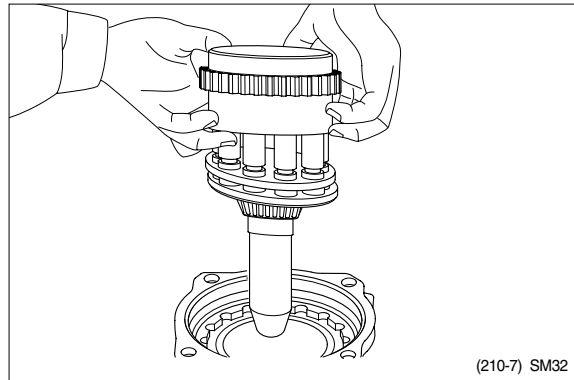
- (4) Assemble outer race of taper roller bearing(3) to motor housing(25).



**(5) Cylinder assembly**

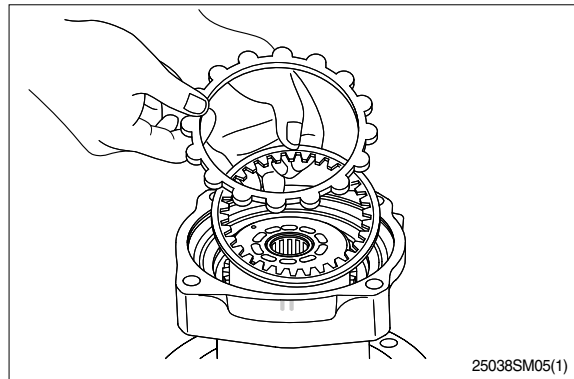
Hold end of cylinder assembly(24) with hands and assemble cylinder assembly to housing(25). Be careful to prevent damage of seal by spline of shaft.

- ※ When assemble cylinder assembly, spline shaft of cylinder is protruded from end of housing, therefore put pads with length 30~50mm under bottom of housing.



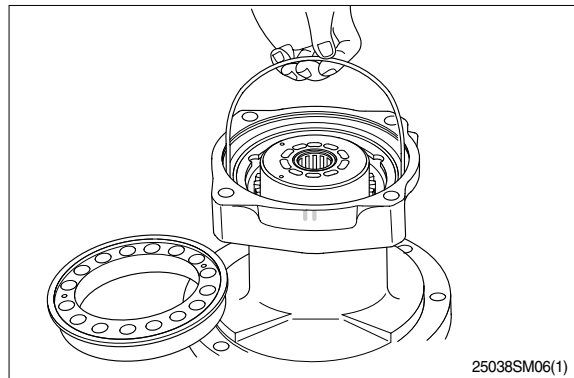
- (6) Assemble plate(9) and lining plate(8).

- ※ Lubricate specified hydraulic oil on each side.



- (7) Insert O-rings(10,12) into housing(25) and piston(11).

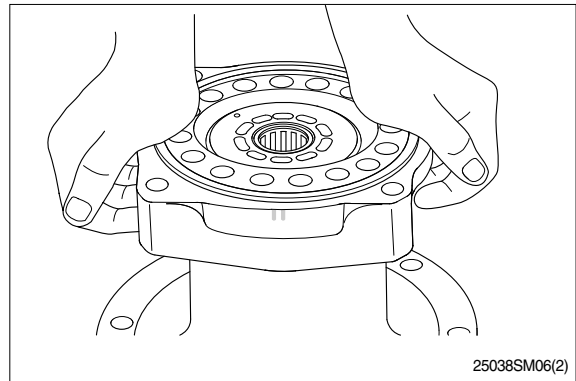
- ※ Lubricate O-ring with grease.



**(8) Brake piston**

Lubricate specified hydraulic oil on outer sliding face of piston(11) and assemble brake piston to housing(25).

- ※ It is too tight to assemble piston(7) because O-rings(10,12) are fitted, therefore it is recommended to push piston(11) horizontally by hands at once.

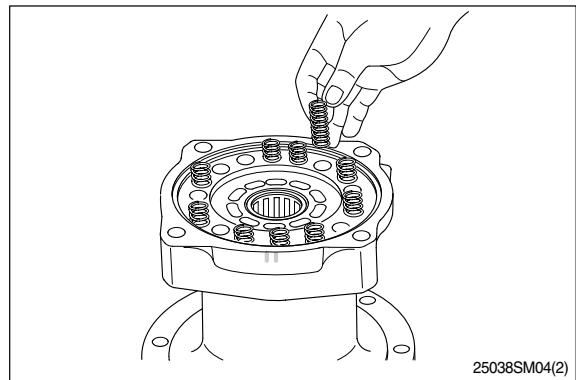


25038SM06(2)

**(9) Spring(13, brake unit)**

Assemble spring(13) to piston(11) of brake unit.

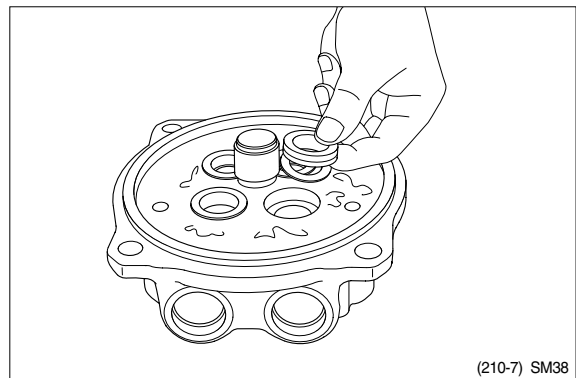
- ※ Insert spring(13) into original position.



25038SM04(2)

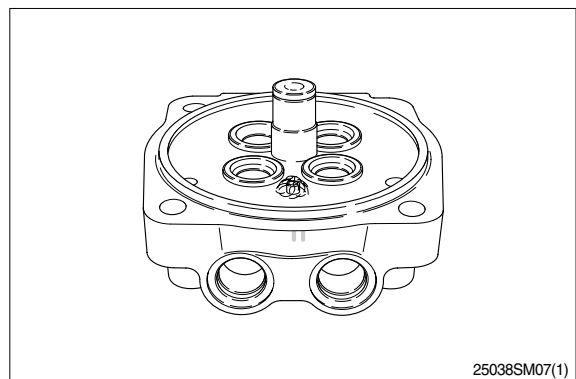
(10) Assemble bushing(20) with teflon ring(19) and coned disk spring(18) to bushing hole of cover(33).

- ※ Lubricate on both end surfaces of bushing(20) and outer face of teflon ring(19) with grease and assemble cover to housing, and parts are adhered on cover by grease viscosity which makes assembling easy.



(210-7) SM38

(11) Lubricate locating pin for antirotation of balance plate(21) of cover(33) with grease sufficiently and install locating pin to housing.

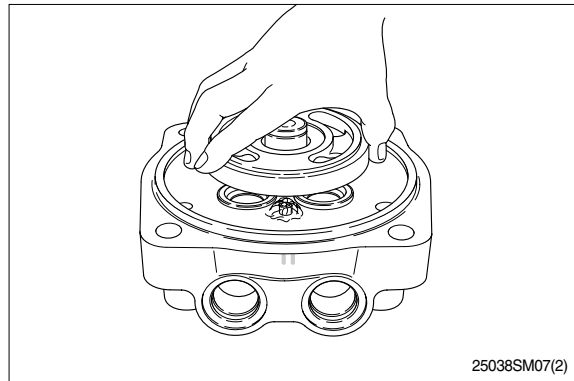


25038SM07(1)

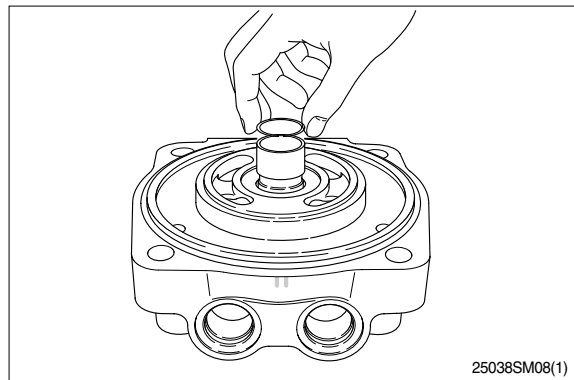
**(12) Balance plate**

Assemble balance plate(21) to cover(33).

※ Be cautious of assembling direction.

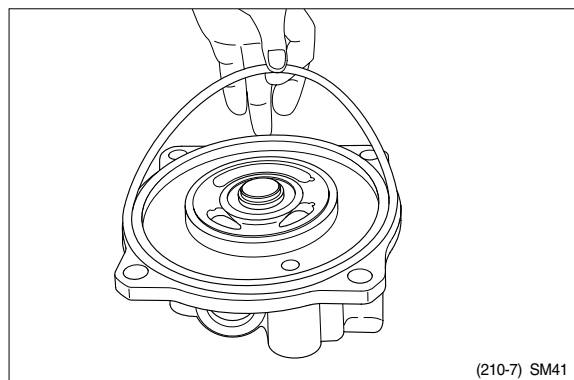


(13) Assemble inner race of needle bearing (22) and snap ring(23) to cover(33).

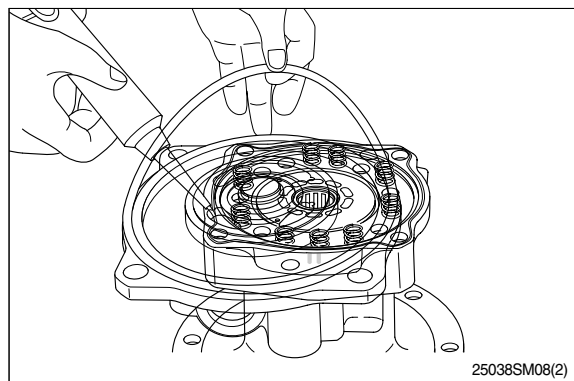


(14) Assemble O-ring(12) to cover(33).

※ Lubricate O-ring with grease.



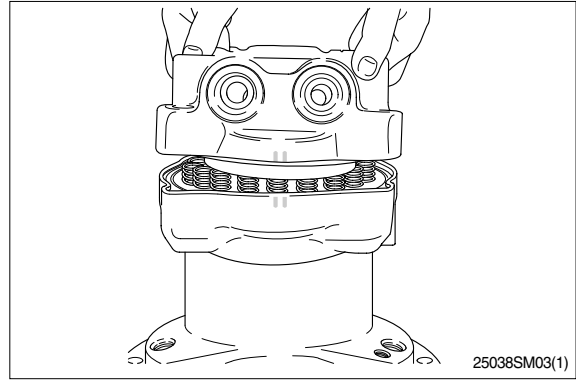
(15) Apply three bond of white color to distinguish oil leakage from remaining oil in bolt hole(M16) of cover(33).



### (16) Cover

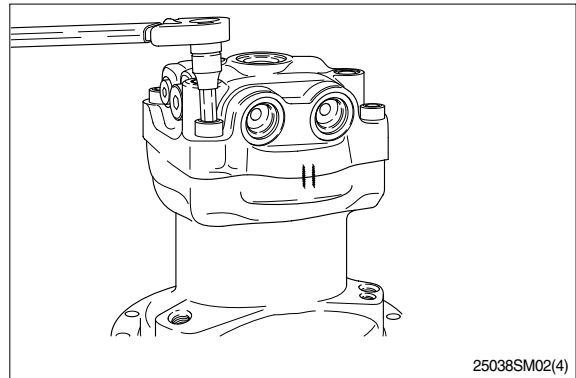
Assemble cover(33) and balance plate (21) to housing(25) lightly, holding them up with hands.

- ※ When assembling, be careful not to detach balance plate(21) and bushing (20) from cover(33).
- ※ Fit matching marks on housing(25) and cover(33) made before disassembling.



### (17) Tighten cover(33) and housing(25) with 16mm hexagonal socket bolt(36).

- Tightening torque : 29kgf · m(210lbf · ft)



### (18) Make up valve

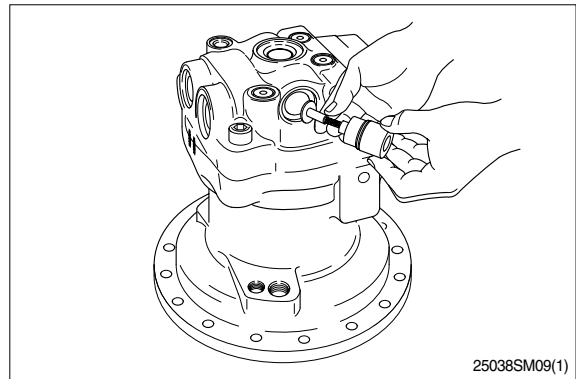
Assemble check(41) and spring(42) to cover(33) and tighten cap(43) with 14mm hexagonal socket bolt.

- Tightening torque : 14kgf · m(101lbf · ft)

### (19) Bypass valve assembly

Assemble bypass valve assembly(29) to cover(33) with 10mm hexagonal socket bolt.

- Tightening torque : 8kgf · m(58lbf · ft)

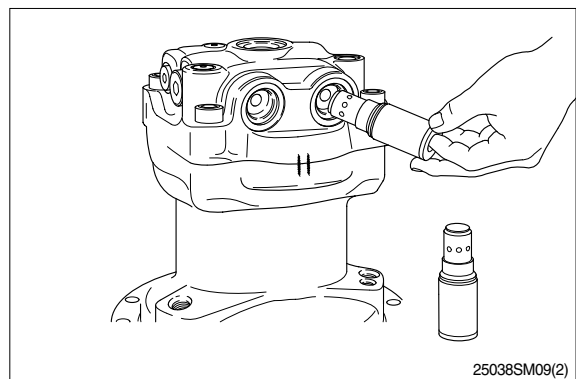


### (20) Relief assembly

Assemble relief valve assembly(34) to cover(33) with 14mm hexagonal socket bolt.

- Tightening torque : 8kgf · m(58lbf · ft)

- ※ Be cautious of assembling method.



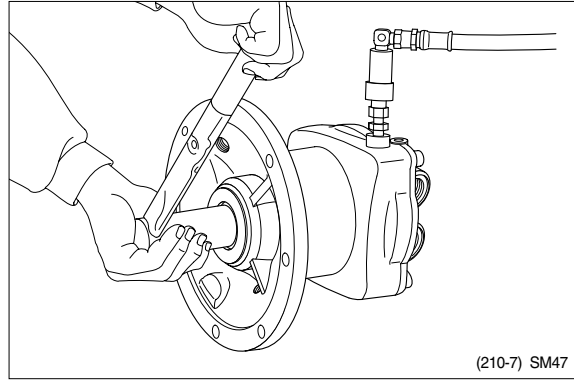
**(21) Check of assembly**

Load pilot pressure of  $30\text{kgf/cm}^2$  to brake release port after opening inlet and outlet port.

Check if output shaft is rotated smoothly around torque of  $4\text{kgf} \cdot \text{m}$ .

If not rotated, disassemble and check.

This completes assembly.



## B. SWING DEVICE(RMF151, #1938 AND UP)

### 1. REMOVAL AND INSTALL OF MOTOR

#### 1) REMOVAL

- (1) Lower the work equipment to the ground and stop the engine.
- (2) Operate the control levers and pedals several times to release the remaining pressure in the hydraulic piping.
- (3) Loosen the breather slowly to release the pressure inside the hydraulic tank.

**▲ Escaping fluid under pressure can penetrate the skin causing serious injury.**

※ When pipes and hoses are disconnected, the oil inside the piping will flow out, so catch it in oil pan.

- (4) Disconnect hose assembly(2).
- (5) Disconnect pilot line hoses(3, 4, 5, 6, 7).
- (6) Sling the swing motor assembly(1) and remove the swing motor mounting bolts (8).

· Motor device weight : 230kg(507lb)

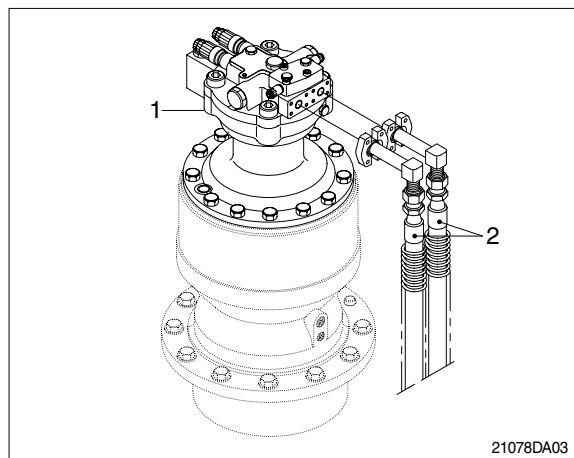
- (7) Remove the swing motor assembly.  
※ When removing the swing motor assembly, check that all the piping have been disconnected.

#### 2) INSTALL

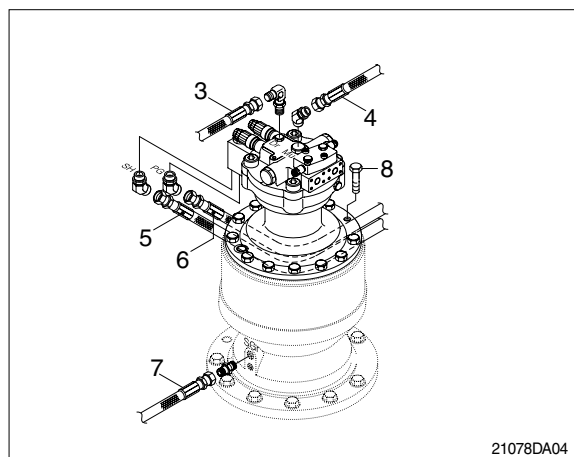
- (1) Carry out installation in the reverse order to removal.
- (2) Bleed the air from the swing motor.
  - ① Remove the air vent plug.
  - ② Pour in hydraulic oil until it overflows from the port.
  - ③ Tighten plug lightly.
  - ④ Start the engine, run at low idling and check oil come out from plug.
  - ⑤ Tighten plug fully.
- (3) Confirm the hydraulic oil level and check the hydraulic oil leak or not.



13031GE18



21078DA03

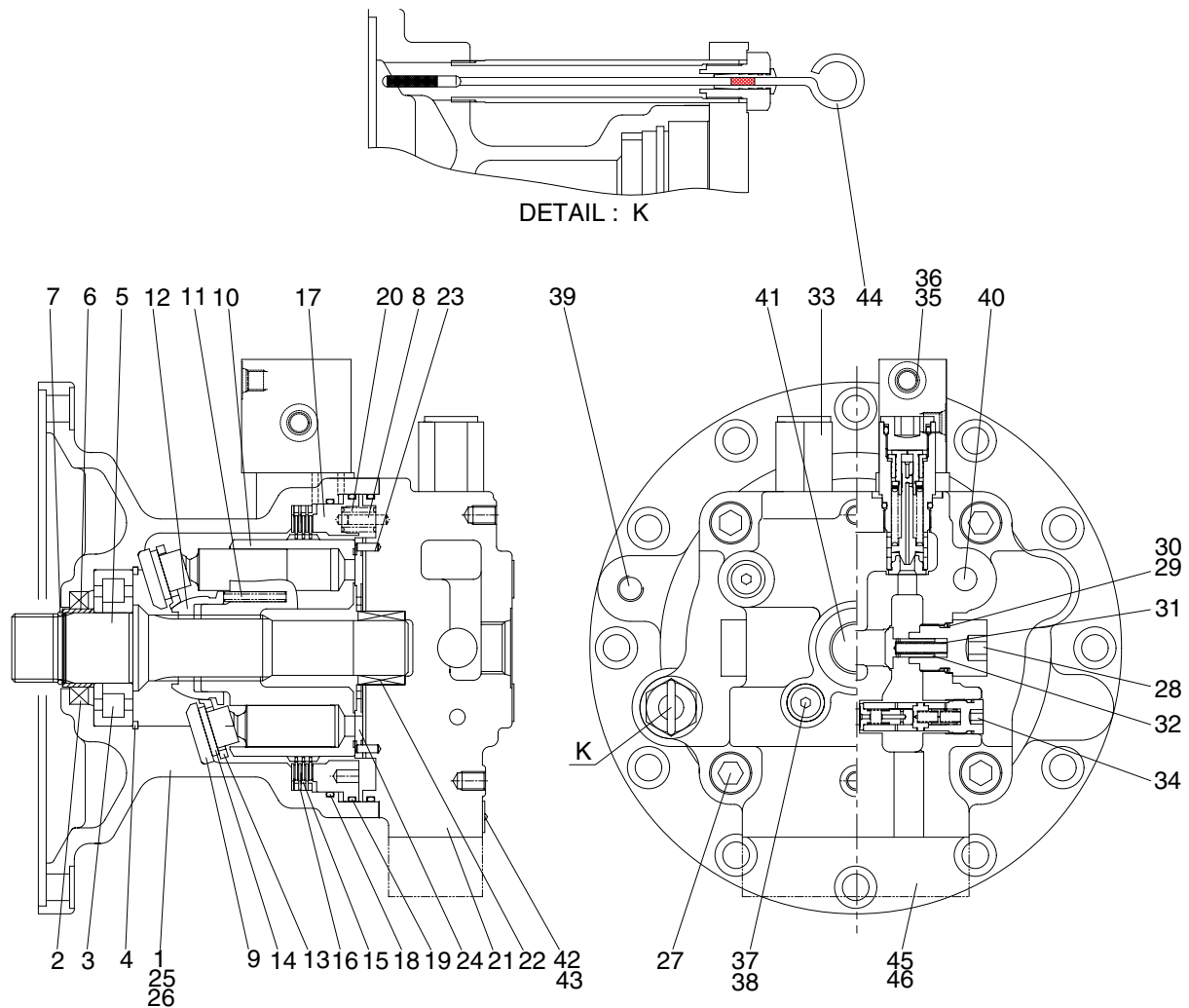


21078DA04



## 2. DISASSEMBLY AND ASSEMBLY OF SWING MOTOR

### 1) STRUCTURE



220072SM02

1	Body	18	O-ring	35	Time delay valve
2	Oil seal	19	O-ring	36	Wrench bolt
3	Roller bearing	20	Spring	37	Plug
4	Snap ring	21	Rear cover	38	O-ring
5	Shaft	22	Needle bearing	39	Plug
6	Bushing	23	Pin	40	Plug
7	Stop ring	24	Valve plate	41	Plug
8	Pin	25	O-ring	42	Name plate
9	Shoe plate	26	O-ring	43	Rivet
10	Cylinder block	27	Wrench bolt	44	Level gauge
11	Spring	28	Plug	45	Flange
12	Ball guide	29	Back up ring	46	O-ring
13	Set plate	30	O-ring	47	Plug
14	Piston assy	31	Spring	48	O-ring
15	Friction plate	32	Check	49	O-ring
16	Plate	33	Relief valve	50	Back up ring
17	Brake piston	34	Anti-inversion valve		

## 2) DISASSEMBLING

### (1) Disassemble the sub of a TURNING AXIS

- ① Unloosing wrench bolt and disassemble time delay valve assy(35) from rear cover(21)



14078SM201/201A

- ② Disassemble level gauge(44) from body (1).



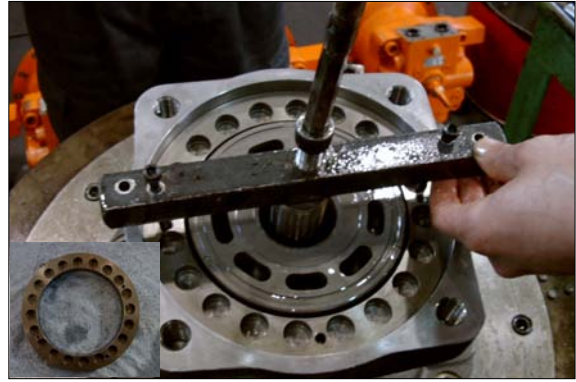
14078SM202/202A

- ③ Hang rear cover(21) on hoist, unloose wrench bolt(27) and disassemble from body(1).



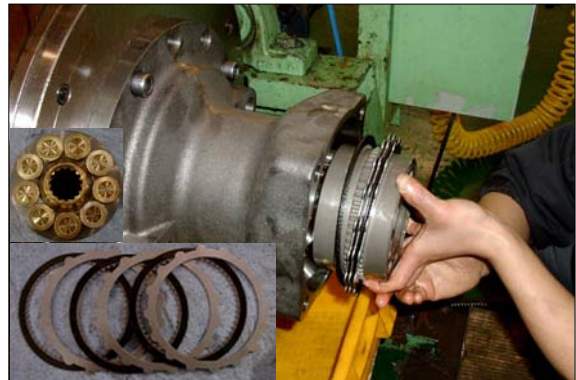
14078SM203/203A

- ④ Using a jig, disassemble break piston(17) from body(1).



14078SM204/204A

- ⑤ Disassemble respectively cylinder block assy, fricktion plate(15), plate(16) from body(1).



14078SM205/205A/B

**(2) Disassemble cylinder block assy sub**

- ① Disassemble piston assy(14), set plate (13) from cylinder block assy.



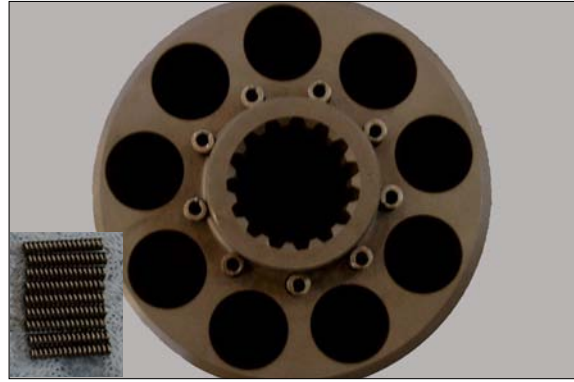
14078SM206/205B

- ② Disassemble ball guide(12) from cylinder block(10).



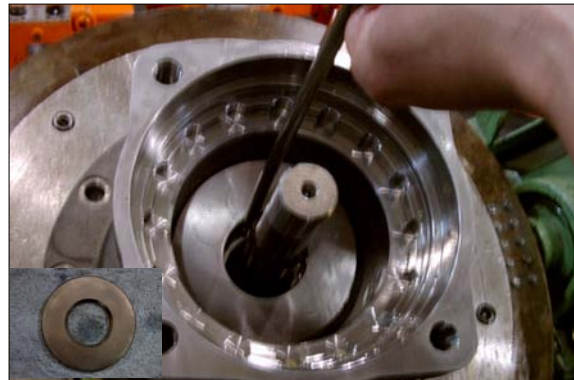
14078SM207/207A

- ③ Disassemble spring(11) from cylinder block(10).



14078SM208/208A

- ④ Disassemble shoe plate(9) from body(1).



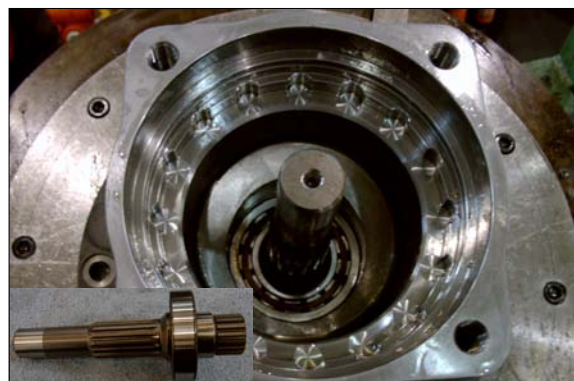
14078SM209/209A

- ⑤ Using a plier jig, disassemble snap ring (4) from shaft(5).



14078SM210/210A

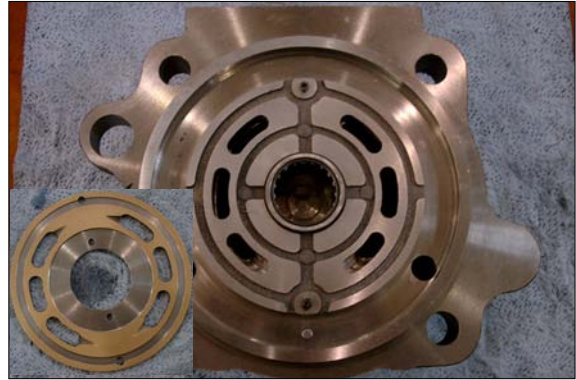
- ⑥ Disassemble shaft assy from body(1).



14078SM211/211A

**(3) Disassemble rear cover assy sub**

- ① Disassemble pin(8, 23), valve plate(24) from rear cover(21).



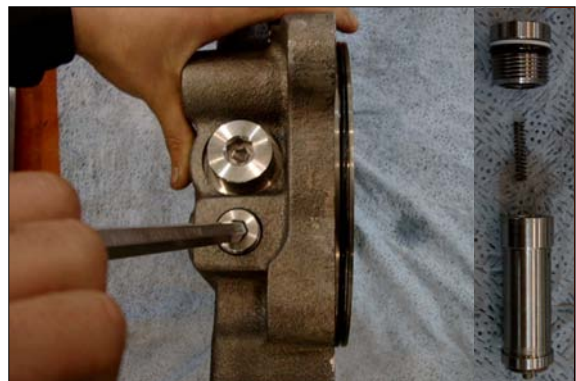
14078SM212/212A

- ② Using a torque wrench, disassemble relief valve assy(33) 2 set from rear cover(21).



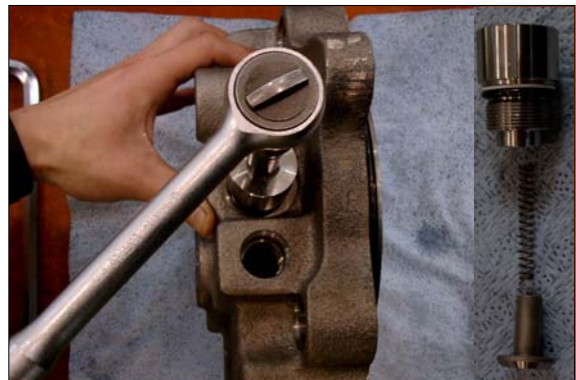
14078SM213/213A

- ③ After disassembling plug with a L-wrench from rear cover(21), disassemble respectively back up ring, O-ring, O-ring, spring, anti-inversion valve assy(34)



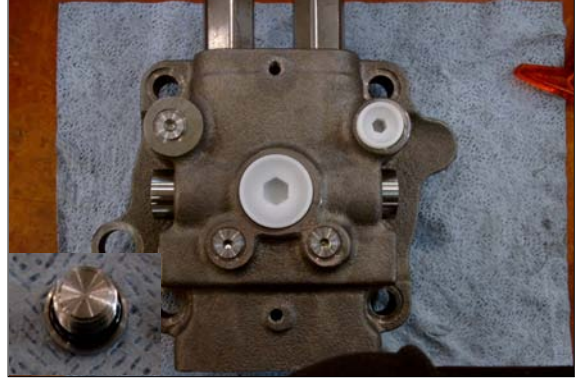
14078SM214/214A

- ④ Disassemble make up check valve assy with a torque wrench from rear cover(21).



14078SM215/215A

- ⑤ Disassemble respectively plug(37, 40, 41), with a L-wrench from rear cover(21).

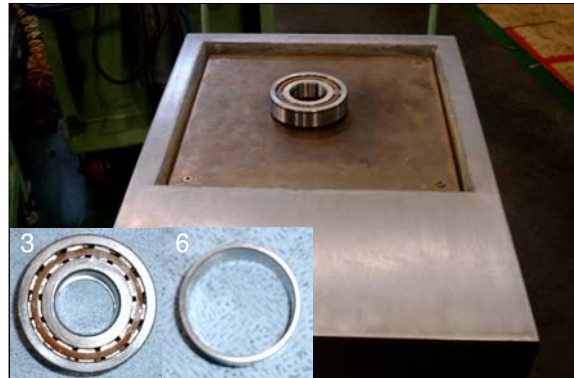


14078SM216/216A

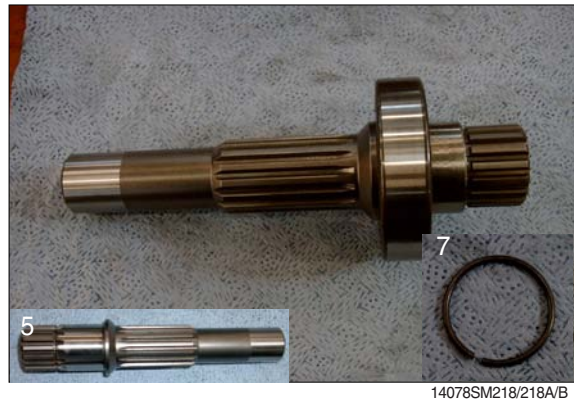
### 3) ASSEMBLING

#### (1) Assemble the sub of a turning axls

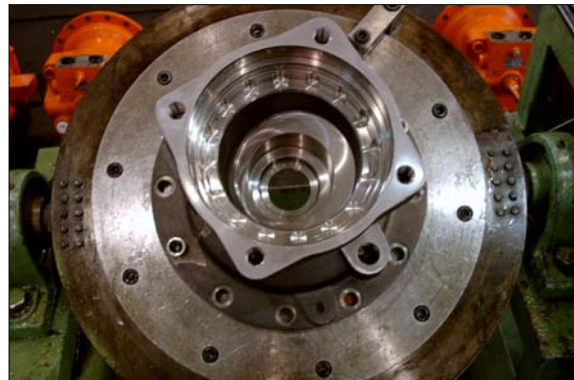
- ① Put roller bearing(3), bushing(6) on preheater and provide heat to inner wheel(compressing temp : 290°C for 2minutes)
  - Roller bearing × 1EA
  - Bushing × 1EA



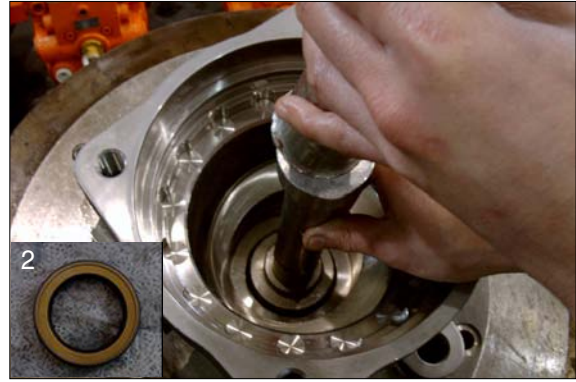
- ② After assembling and compressing preheated roller bearing(3), bushing(6) into shaft(5).
  - Stop ring × 1EA
  - Shaft × 1EA



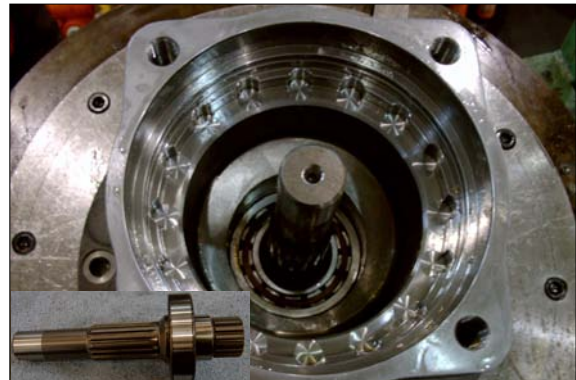
- ③ Put body(1) on a assembling jig, fix it with bolts to prohibit moving.



- ④ Using a compressing tool and steel stick, assemble oil seal(2) into body(1).  
· Oil seal × 1EA



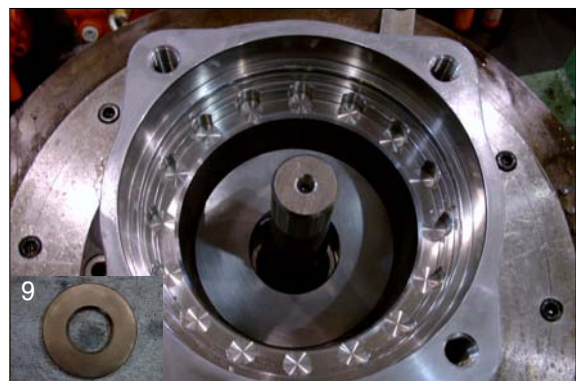
- ⑤ Insert above shaft sub into body(1) and assemble it with a steel stick.



- ⑥ Fix snap ring(4) to shaft with a plier jig.  
· Snap ring × 1EA



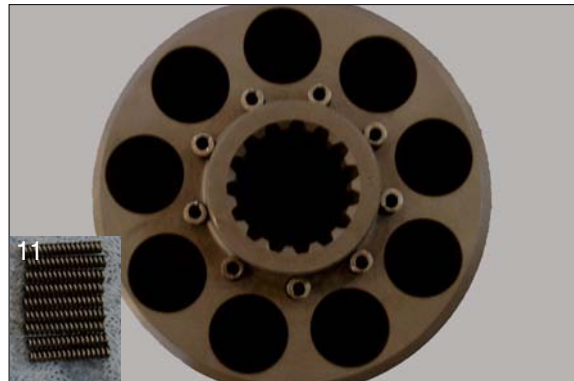
- ⑦ Spread grease on shoe plate(9) and assemble on the body.  
· Shoe plate × 1EA





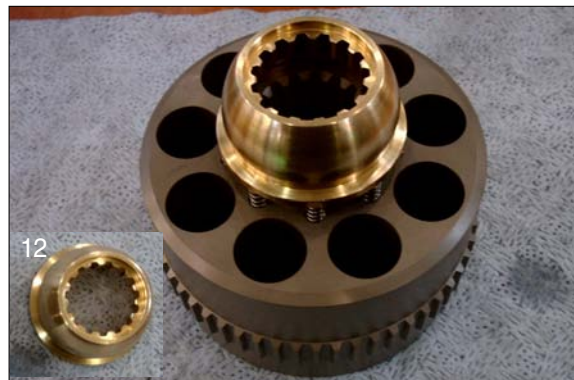
**(2) Assemble the sub of cylinder block assy**

- ① Assemble spring(11) 9 set into cylinder block(10).  
· Spring × 9EA



14078SM208/208A

- ② Assemble ball guide(12) into cylinder.  
· Ball guide × 1EA



14078SM207/207A

- ③ Assemble piston assy(14) 9 set into set plate(13).  
· Piston assy × 9EA  
· SET plate × 1EA



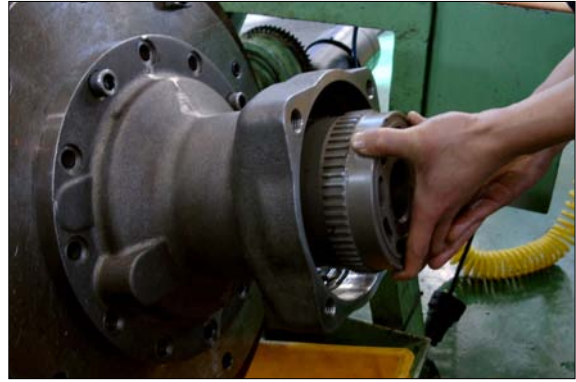
14078SM223/223A

- ④ Assemble above item ② and ③.



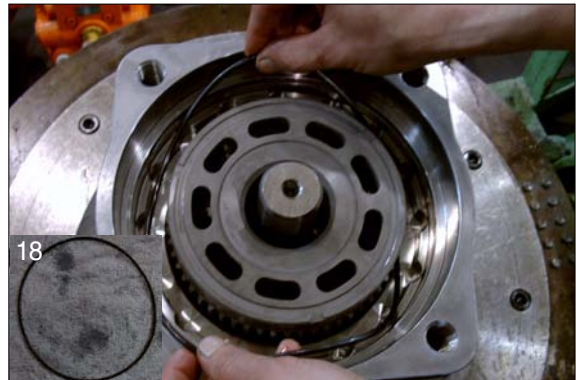
14078SM224

- ⑤ Assemble cylinder block assy into body (1).



14078SM225

- ⑥ Assemble O-ring(18) into body(1).  
· O-ring × 1EA



14078SM226/226A

- ⑦ Assemble 3 set of plate(16), friction plate(15) respectively into body.  
· Plate × 3EA  
· Friction plate × 3EA



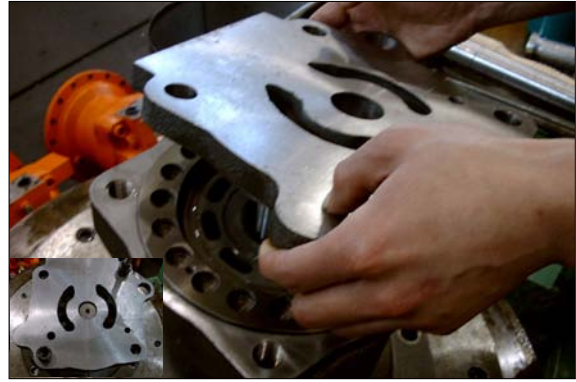
14078SM227/205A

- ⑧ Assemble O-ring(19) into break piston (17).  
· O-ring × 2EA



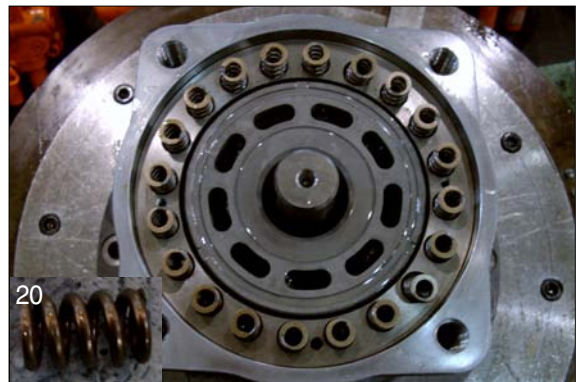
14078SM228/226A

- ⑨ Insert break piston assy into body(1) and compress it with a jig and hammer.



14078SM229/229A

- ⑩ Assemble spring(20)(20EA) into break piston(17).  
 · Spring × 20EA



14078SM230/230A

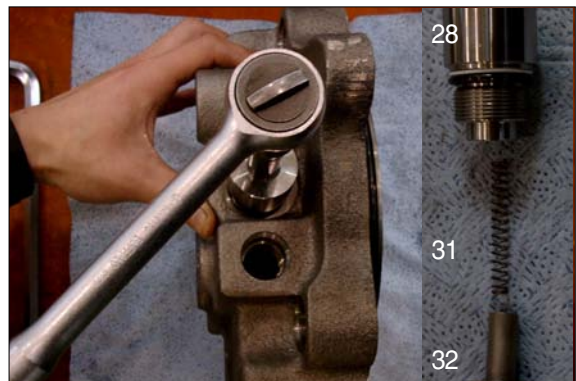
**(3) Assemble the sub of rear cover assy sub**

- ① Assemble the sub of make up check valve assy.  
 Assemble O-ring(30), back up ring(29) into plug(28) with a O-ring assembling jig.  
 · Plug × 1EA  
 · Back up ring × 1EA  
 · O-ring × 1EA



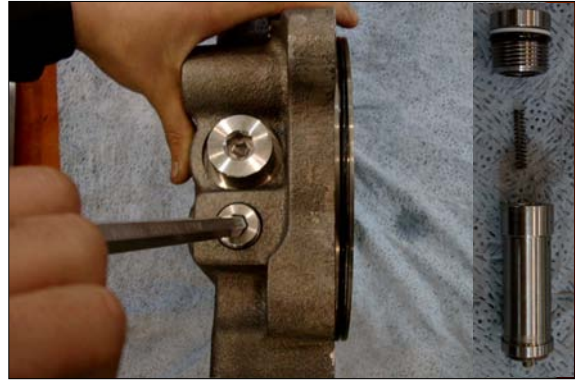
14078SM231/231A/B

- ② Assemble respectively make up check valve assy spring(31), check(32), plug(28) into rear cover(21) after then screw it torque wrench.  
 · Make up check sub × 2set  
 · Spring × 2EA  
 · Check × 3EA



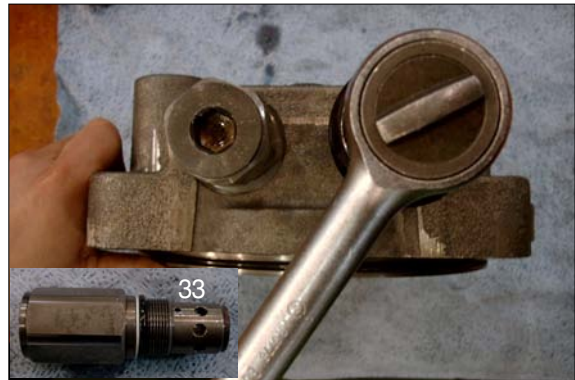
14078SM215/215A

- ③ Assemble respectively plug(47), back up ring, O-ring, O-ring, spring, anti-rotating valve assy(34) into rear cover(21).  
(Bilateral symmetry assembling)
- Anti-Inversion v/v assy × 2set
  - O-ring(P12) × 2EA
  - O-ring(P18) × 2EA
  - Back up ring(P18) × 2EA



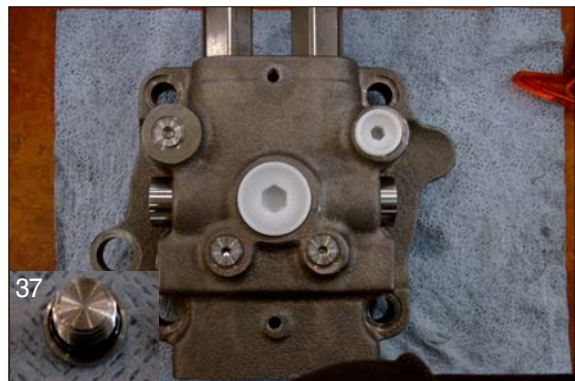
14078SM214/214A

- ④ Assemble relief valve assy(33) 2set into rear cover(21) with a torque wrench.  
(Bilateral symmetry assembling)



14078SM213/213A

- ⑤ Assemble plug(37), plug(40, 41) into rear cover(21) with a L-wrench.  
\* Plug × 3EA(PF1/4)



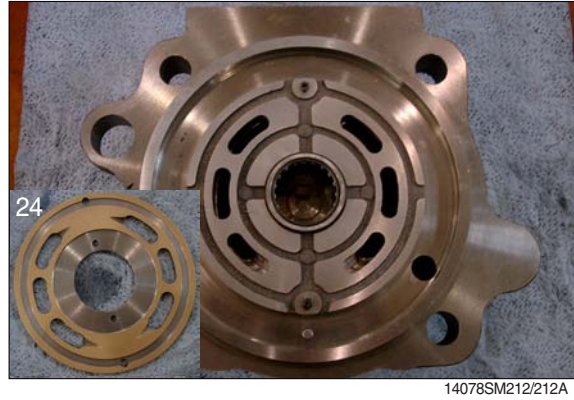
14078SM216/216A

- ⑥ After assembling needle bearing(22) into rear cover(21), with a hammer assemble pin(8, 23).  
\* Pin × 1EA  
\* Pin × 2EA



14078SM212

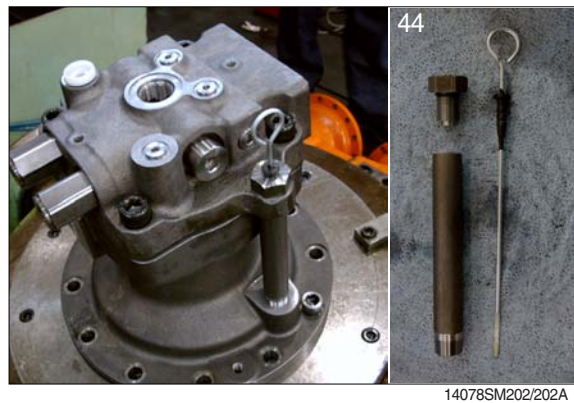
- ⑦ Spreading grease on valve plate(24),  
assemble into rear cover(21).  
· Valve plate × 1EA



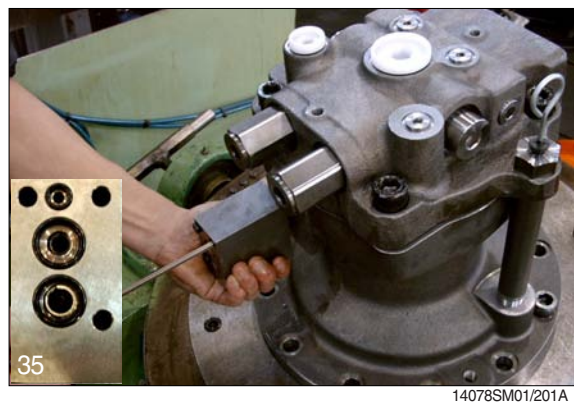
- ⑧ Lift up rear cover assy on body(1) by a crane and assemble it with a wrench bolt(27).



- ⑨ Assemble level gauge(44) into body(1).



- ⑩ Assemble time delay valve assy(35) into rear cover(21) with a wrench bolt(36).



**(4) Air pressing test**

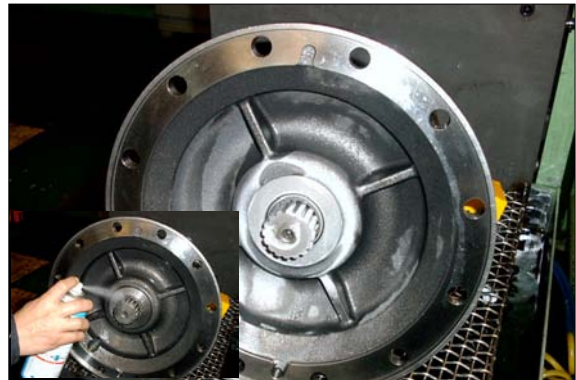
Be sure of leakage, after press air into assembled motor



14078SM232

**(5) Leakage check**

After cleaning motor by color check No.1, paint No.3 and be sure of leakage.



14078SM233/233A

**(6) Mount test bench**

Mounting motor test bench, test the availability of each part.



220078SM14

### 3. REMOVAL AND INSTALL OF REDUCTION GEAR

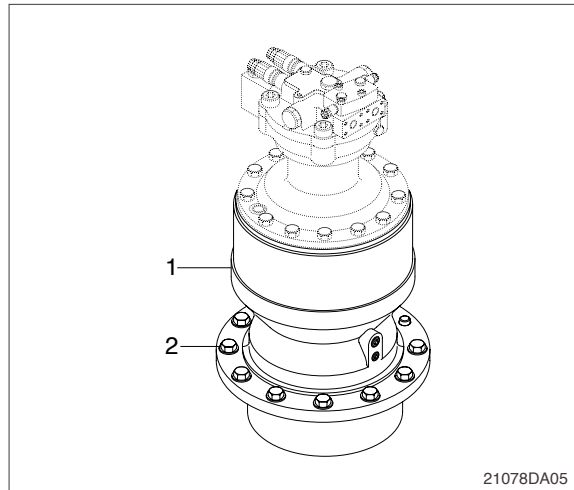
#### 1) REMOVAL

- (1) Remove the swing motor assembly.  
For details, see **removal of swing motor assembly**.
- (2) Sling reduction gear assembly(1) and remove mounting bolts(2).
- (3) Remove the reduction gear assembly.
  - Reduction gear device weight : 180kg  
(396lb)



#### 2) INSTALL

- (1) Carry out installation in the reverse order to removal.
  - Tightening torque : 49.2~66.6kgf · m  
(356~481 lbf · ft)







## 2) DISASSEMBLY

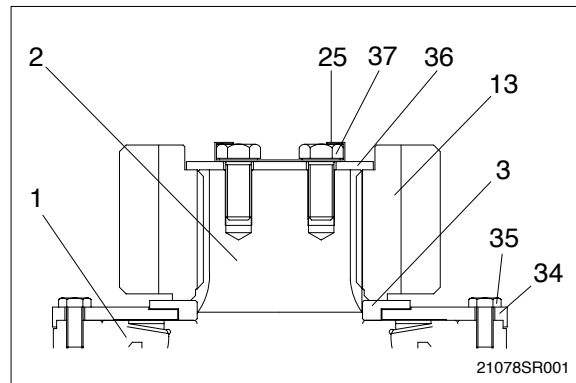
- (1) Spread off the 4 corners of lock washer (25) with a tool.

Do not reuse lock washer(25).

Loosen the hexagon bolts(37) and then remove lock washer(25) and lock plate (36) from the pinion gear(13).

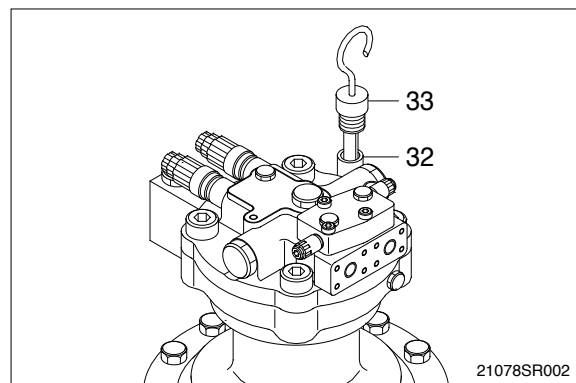
Remove pinion gear(13) and spacer(3) from the drive shaft(2).

Remove cover plate(34) from the casing (1) by loosening the hexagon socket bolts (35).

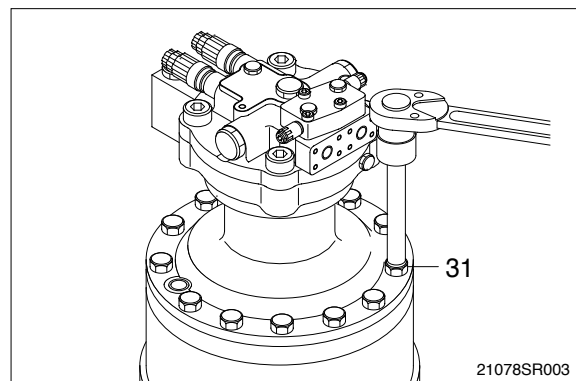


- (2) Remove gauge bar(33) and gauge pipe (32) from the swing motor casing.

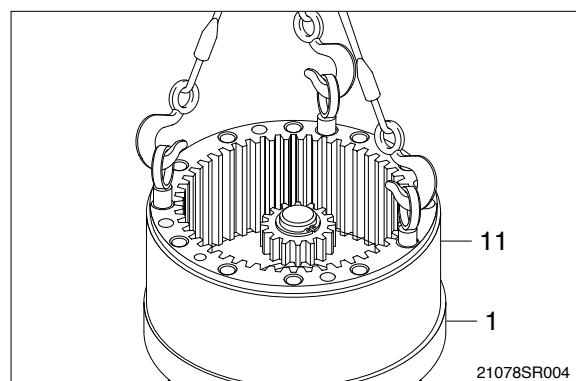
Pour the gear oil out of reduction gear into the clean bowl to check out the friction decrease.



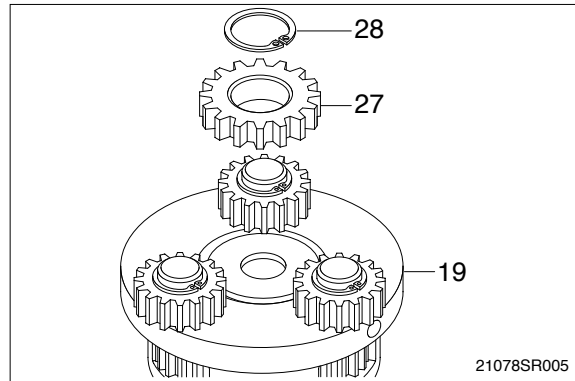
- (3) Loosen the socket bolts(31) to separate swing motor from reduction gear.



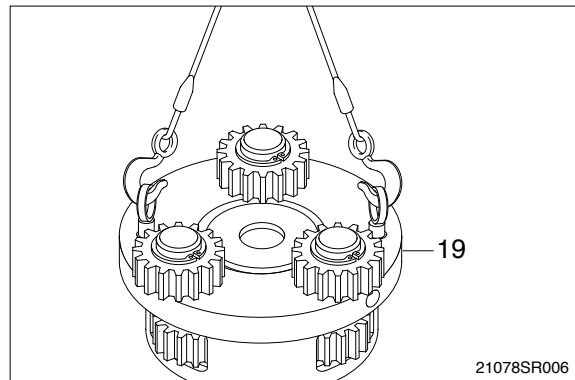
- (4) Tighten 3 M16 eye bolts to the ring gear (11) and then lift the ring gear(11) out of the casing(1).



- (5) Remove stop ring(28) and then sun gear1 (27).



- (6) Tighten two M10 eye bolts to carrier1(19) and lift up and remove carrier1(19) as subassembly.



- (7) Disassembling carrier1(19) assembly.

Remove stop ring(38).

Remove side plate2(39), planet gear1 (24), needle cage(22), side plate1(20) and side plate3(26) from the carrier.

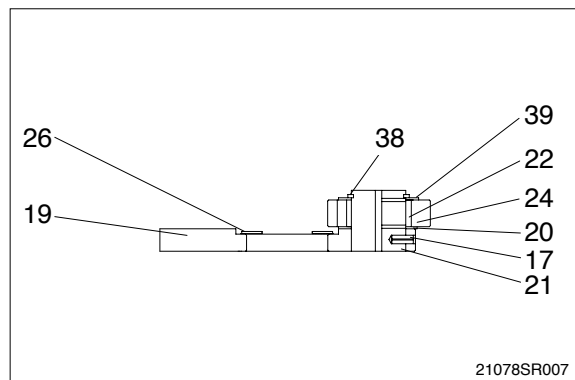
Using M8 solid drill, crush spring pin(17) so that the pin1(21) can be removed by hammering.

Remove side plate3(26) from carrier1(19).

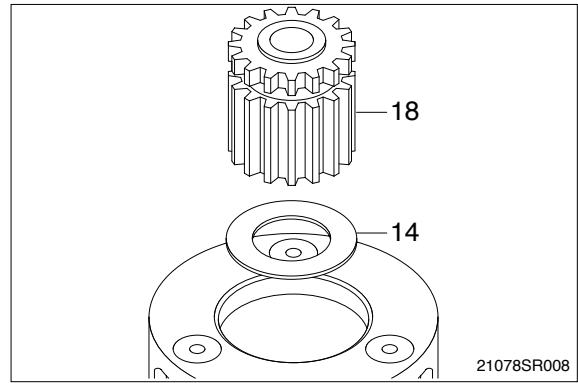
Do not reuse spring pin(17).

Do not remove pin1(21), carrier1(19) and spring pin(17) but in case of replacement.

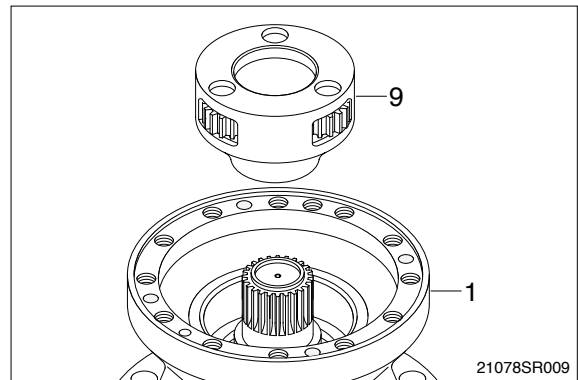
Put matching marks on the planet gear1 (24) and the pin1(21) for easy reassembly.



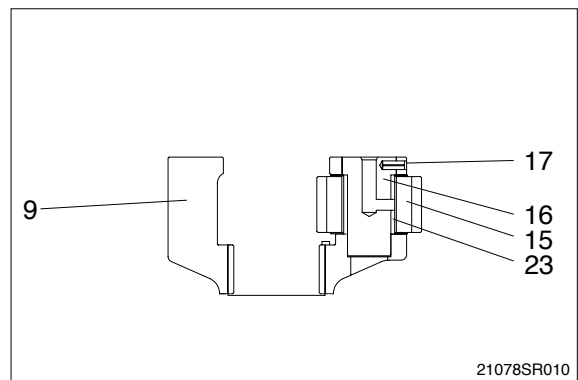
- (8) Remove sun gear2(18) and thrust gear (14).



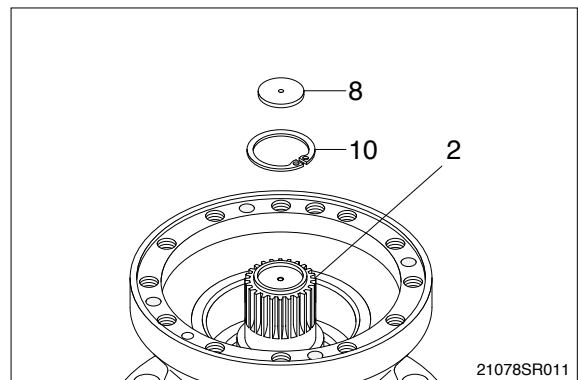
- (9) Remove carrier2(9) assembly from casing (1).



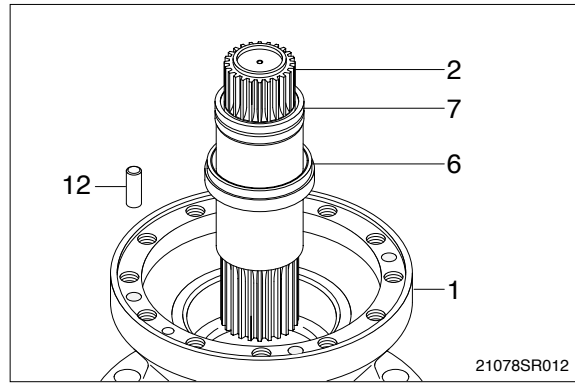
- (10) Disassembling carrier2(9) assembly  
Using M8 solid drill, crush spring pin(17) so that the pin2(16) can be removed.  
Do not reuse spring pin(17).  
Remove pin2(16), planet gear2(15) and bush2(23) from the carrier2(9).  
Put matching marks on the planet gear2 (15) and the pin2(16) for easy reassembly.  
Do not disassemble pin2(16), carrier2(9) and spring pin(17) but in case of replacement.



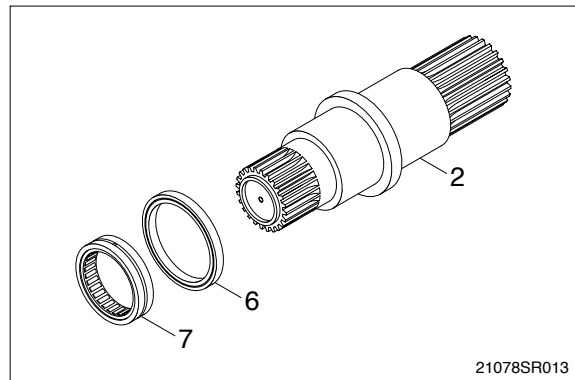
- (11) Remove thrust bearing(8) and stop ring (10) from the drive shaft(2).



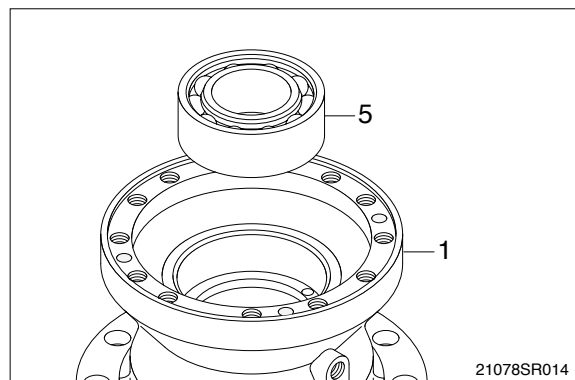
- (12) Remove drive shaft(2) with roller bearing(7) and oil seal(6) assembled.  
Remove knock pin(12) from the casing(1).



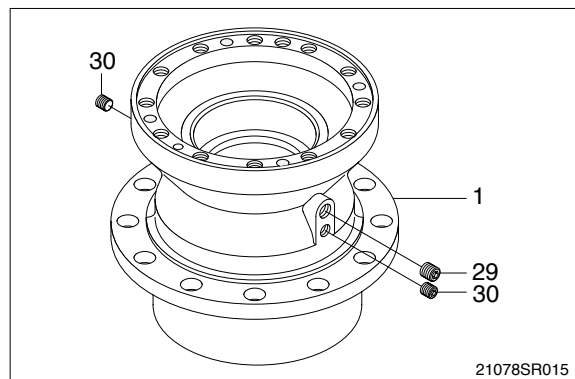
- (13) Remove roller bearing(7) and oil seal(6)  
from the drive shaft(2).  
Do not reuse oil seal(6) once removed.



- (14) Using the bearing disassembly tool,  
remove roller bearing(5).

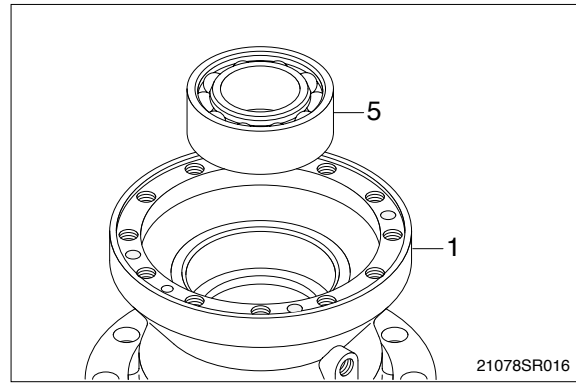


- (15) Remove plugs(29, 30) from the casing(1).

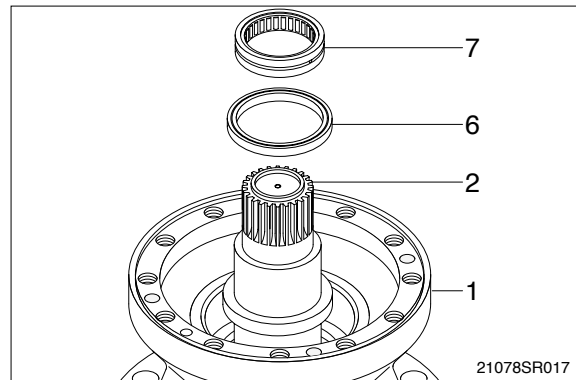


### 3) ASSEMBLY

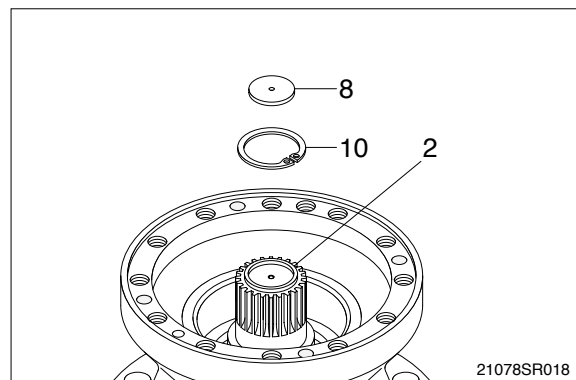
- (1) Assemble roller bearing(5) inside the casing(1).



- (2) Assemble the drive shaft(2) into the casing(1) and then install oil seal(6) and roller bearing(7).



- (3) Install stop ring(10) and thrust bearing(8) on top of drive shaft(2).



- (4) Assembling carrier2(9) assembly.

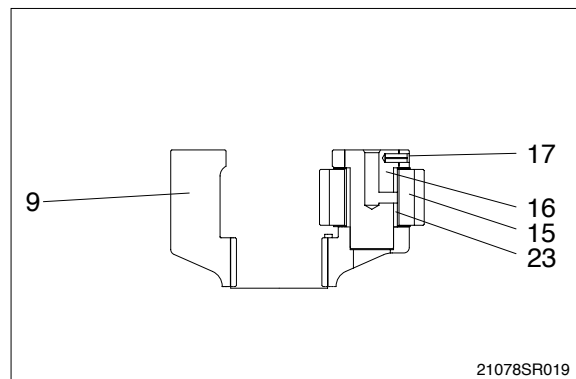
Install thrust gear(14) inside the carrier2 (9).

Install bush2(23) inside the planet gear2 (15) and then assemble them to the carrier2(9).

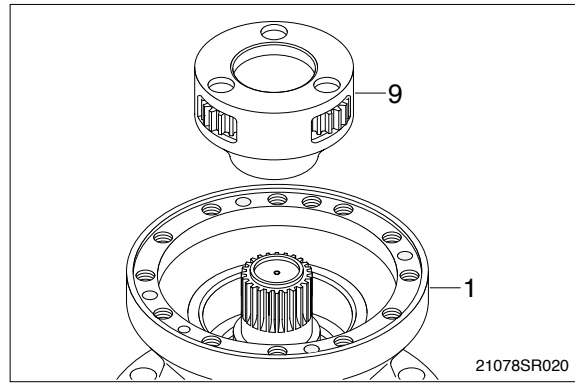
Assemble the pin2(16) to the carrier2(9) and then press the spring pin(17) by hammering.

Punch 2 points of the spring pin(17) lip.

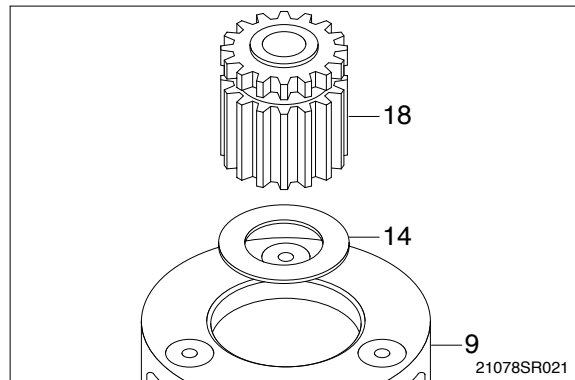
Take care not to mistake the matching marks of each part.



- (5) Assemble carrier2(9) assembly correctly to the drive shaft(2).



- (6) Assemble sun gear2(18) and thrust gear (14) to the center of the carrier2(9) assembly.



- (7) Assembling carrier1(19) assembly.

Assemble the pin1(21) to the carrier1(19) and then press the spring pin(17) by hammering.

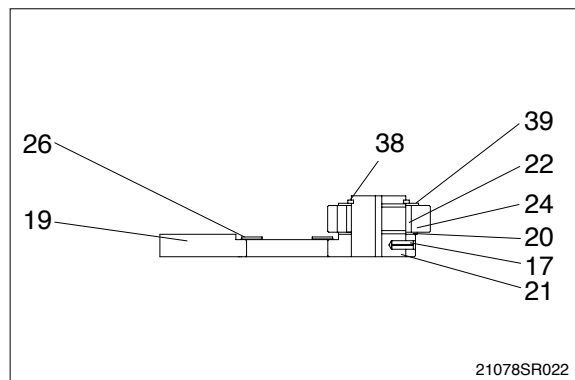
Punch 2 points of the spring pin's(17) lip.

Install side plate3(26) onto the center of carrier1(19).

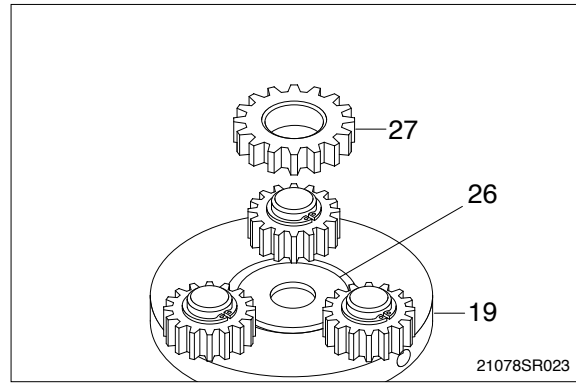
Install needle cage(22) into the planet gear1(24).

Assemble side plate(20), planet gear1 (24), side plate3(39) and then stop ring (38) to the pin1(21).

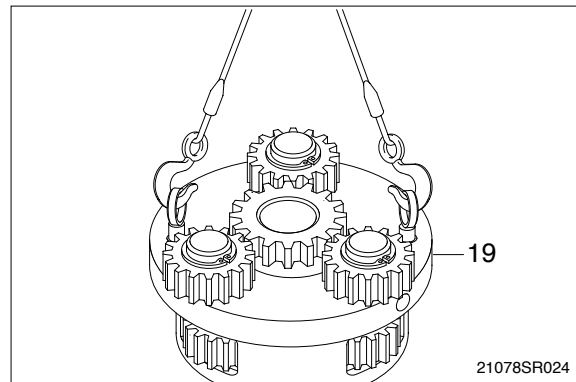
Take care not to mistake the matching marks of each part.



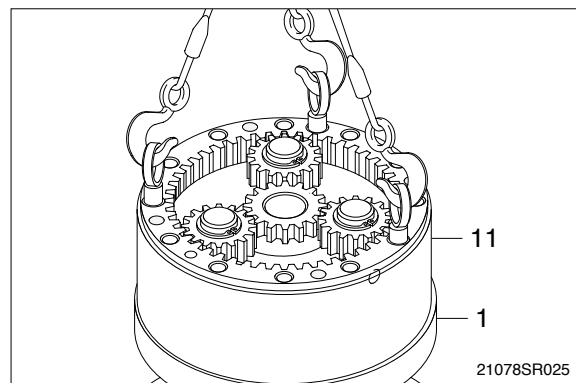
- (8) Install sun gear(27) onto the side plate3 (26).



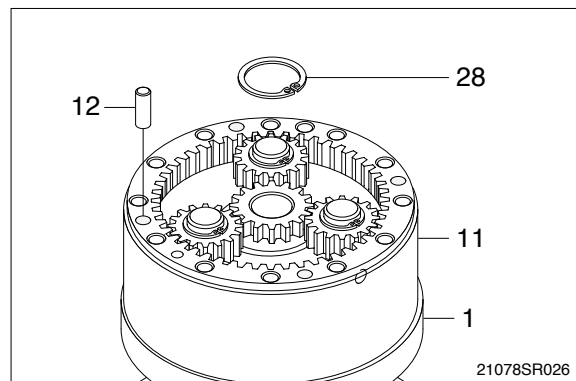
- (9) Assemble carrier1(19) assembly onto the carrier2 assembly.



- (10) Apply loctite to the tapped holes of casing (1).
- (11) Tighten 3 M16 eye bolts to the ring gear(11) and lift up and then assemble it onto the casing(1).  
Don't fail to coincide the knock pin(12) holes.



- (12) Hammer 4 knock pins(12) around the ring gear(11).
- (13) Assemble stop ring(28) to the drive shaft of the swing motor.

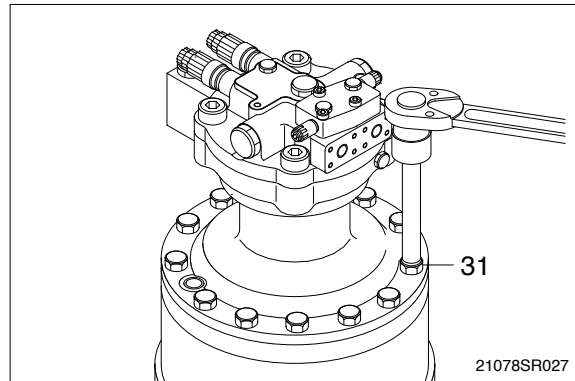


(14) Apply loctite to the tapped holes of the ring gear(11) and then mount swing motor onto the ring gear(11).

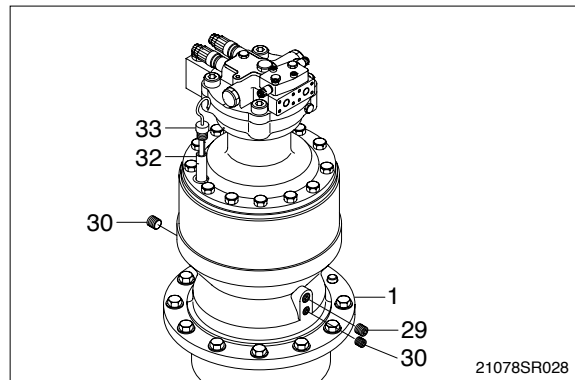
Don't fail to coincide the gauge bar(33) hole.

(15) Tighten socket bolts(31) around the swing motor assembly.

· Tightening torque : 24kgf · m(173lbf · ft)



(16) Assemble plugs(29, 30), gauge bar(33) and gauge pipe(32).



(17) Turn the swing motor assembly upside down and assemble cover plate(34) by tightening the hexagon socket bolts(35).

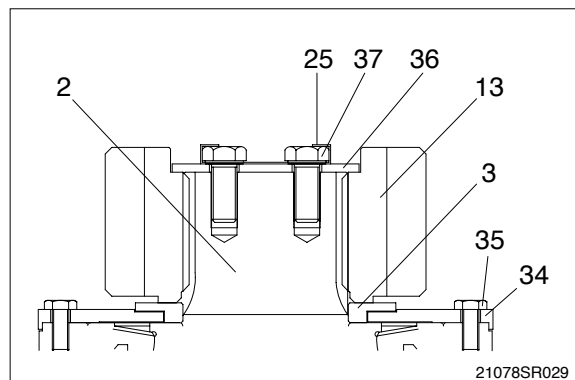
Install spacer(3) and pinion gear(13) to the drive shaft(2).

Assemble lock plate(36) on the pinion gear(13).

Assemble 2 lock washers(25) on the lock plate(36) with their 2 hole coincided individually to the tapped holes of drive shaft(2).

Tighten hexagon socket bolts(37) to the drive shaft(2) and then fold all the lock washer(25) corners over the hexagon bolts(37).

· Tightening torque : 24kgf · m(173lbf · ft)



(18) Inject oil into the reduction gear.