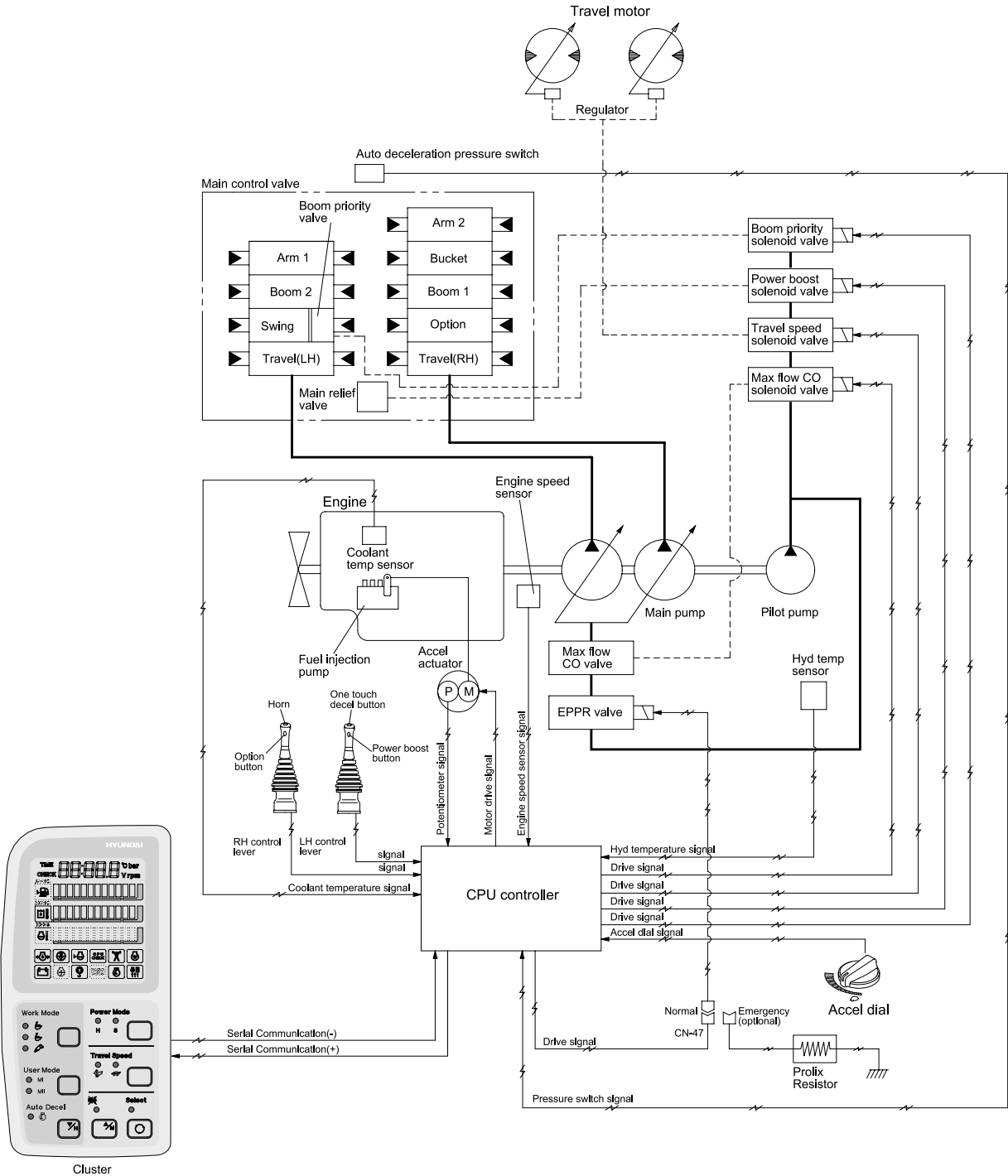


GROUP 14 OUTLINE (#1001 and up, TIER II)

SYSTEM DIAGRAM



21075MS51