

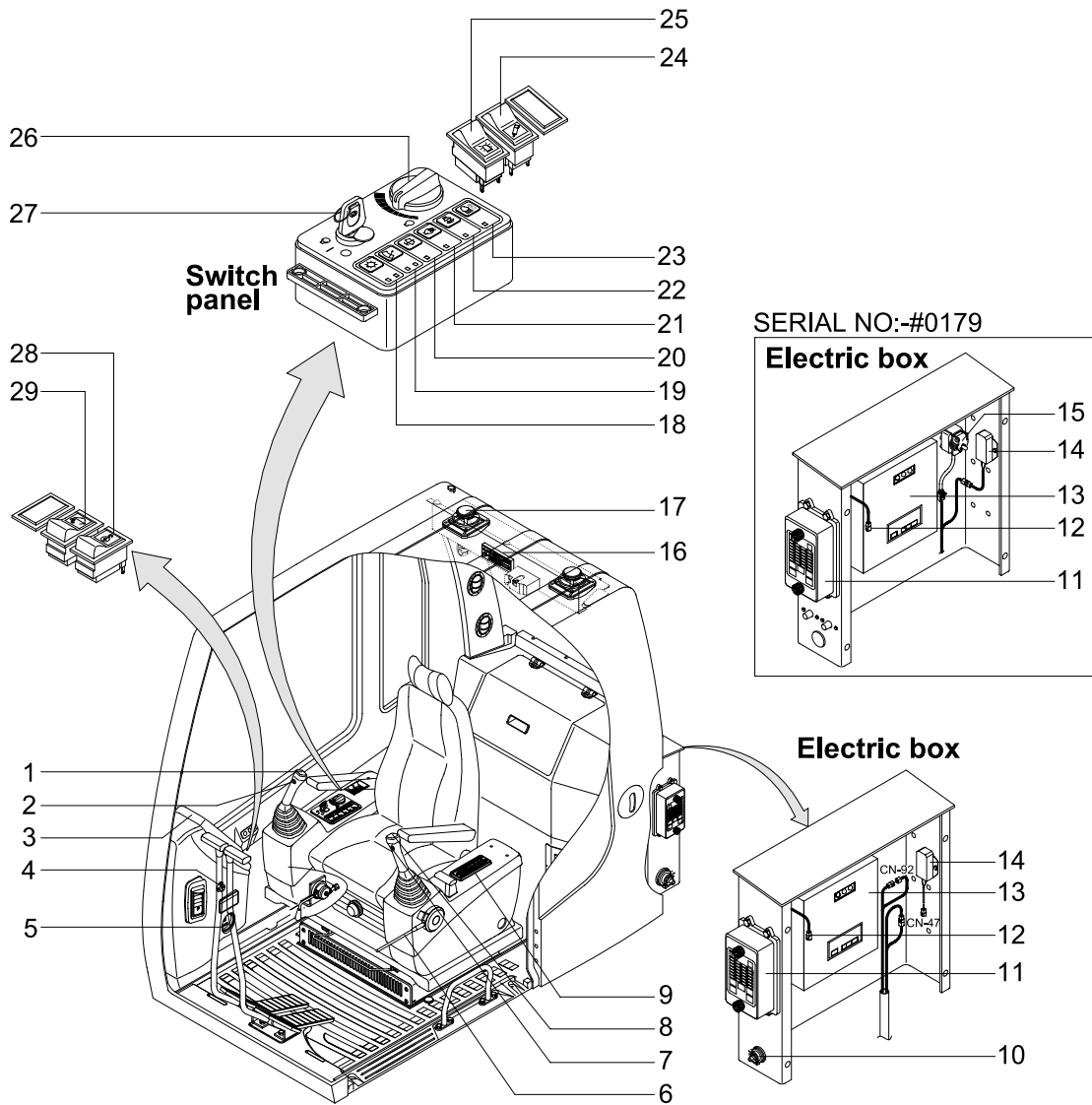
## SECTION 4 ELECTRICAL SYSTEM

Group 1 Component Location .....	4-1
Group 2 Electrical Circuit(up to -#1000) .....	4-3
Group 3 Electrical Component Specification .....	4-23
Group 4 Connectors .....	4-33
Group 5 Electrical circuit(#1001 and up, Tier II) .....	4-53

# SECTION 4 ELECTRICAL SYSTEM

## GROUP 1 COMPONENT LOCATION

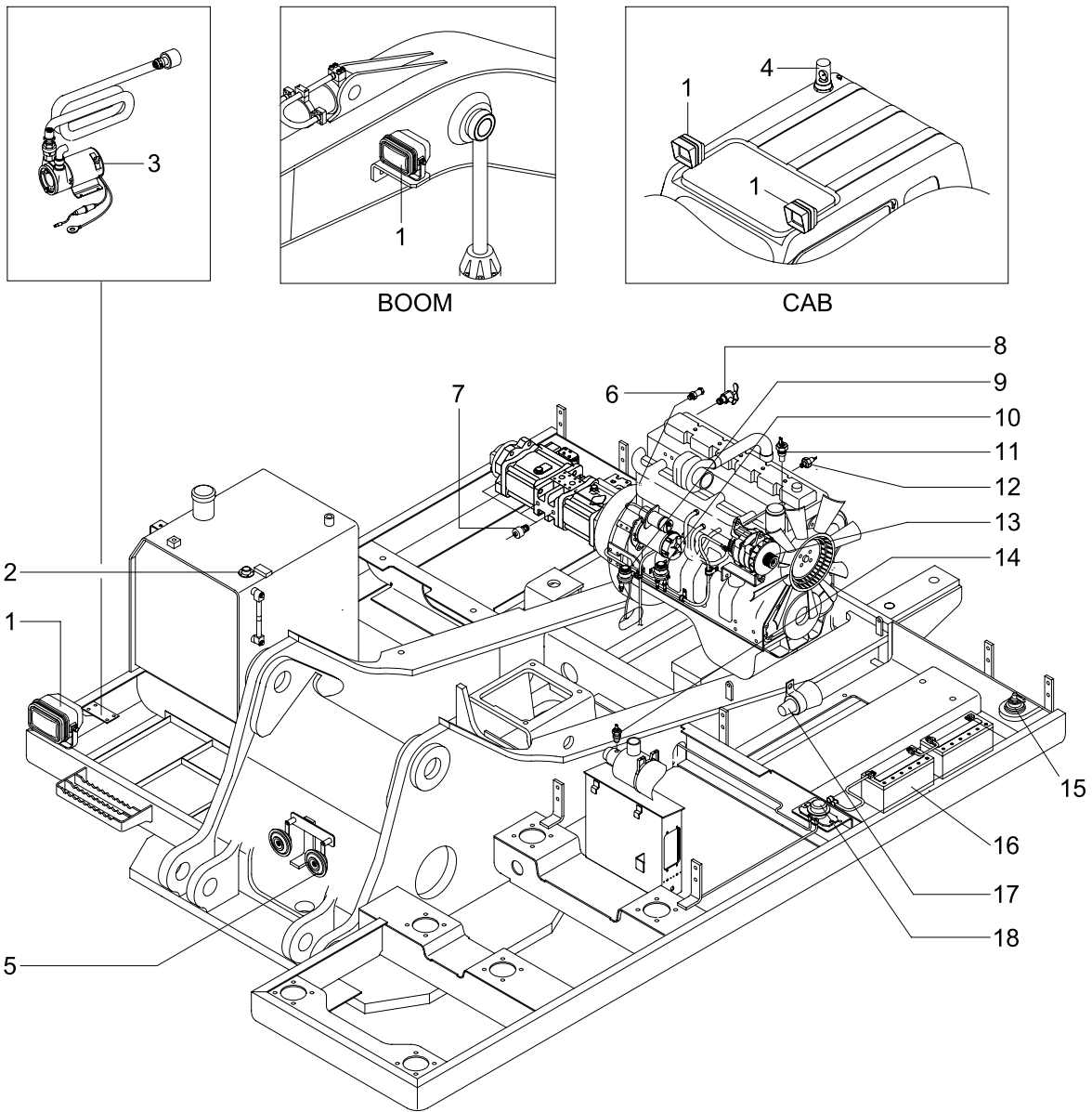
### 1. LOCATION 1



- |    |                          |    |                        |    |                          |
|----|--------------------------|----|------------------------|----|--------------------------|
| 1  | Horn switch              | 11 | Fuse box               | 21 | Preheat switch           |
| 2  | Breaker operation switch | 12 | RS232 serial connector | 22 | Travel alarm switch      |
| 3  | Cluster                  | 13 | CPU controller         | 23 | Cab light switch         |
| 4  | Cigar lighter            | 14 | Prolix resistor        | 24 | Breaker selection switch |
| 5  | Hour meter               | 15 | Prolix switch          | 25 | Beacon switch            |
| 6  | Safety lever             | 16 | Cassette radio         | 26 | Accel dial               |
| 7  | Power max switch         | 17 | Speaker                | 27 | Start switch             |
| 8  | One touch decel switch   | 18 | Main light switch      | 28 | Overload switch          |
| 9  | Air conditioner switch   | 19 | Wiper switch           | 29 | Quick clamp switch       |
| 10 | Master switch            | 20 | Washer switch          |    |                          |

21074EL01A

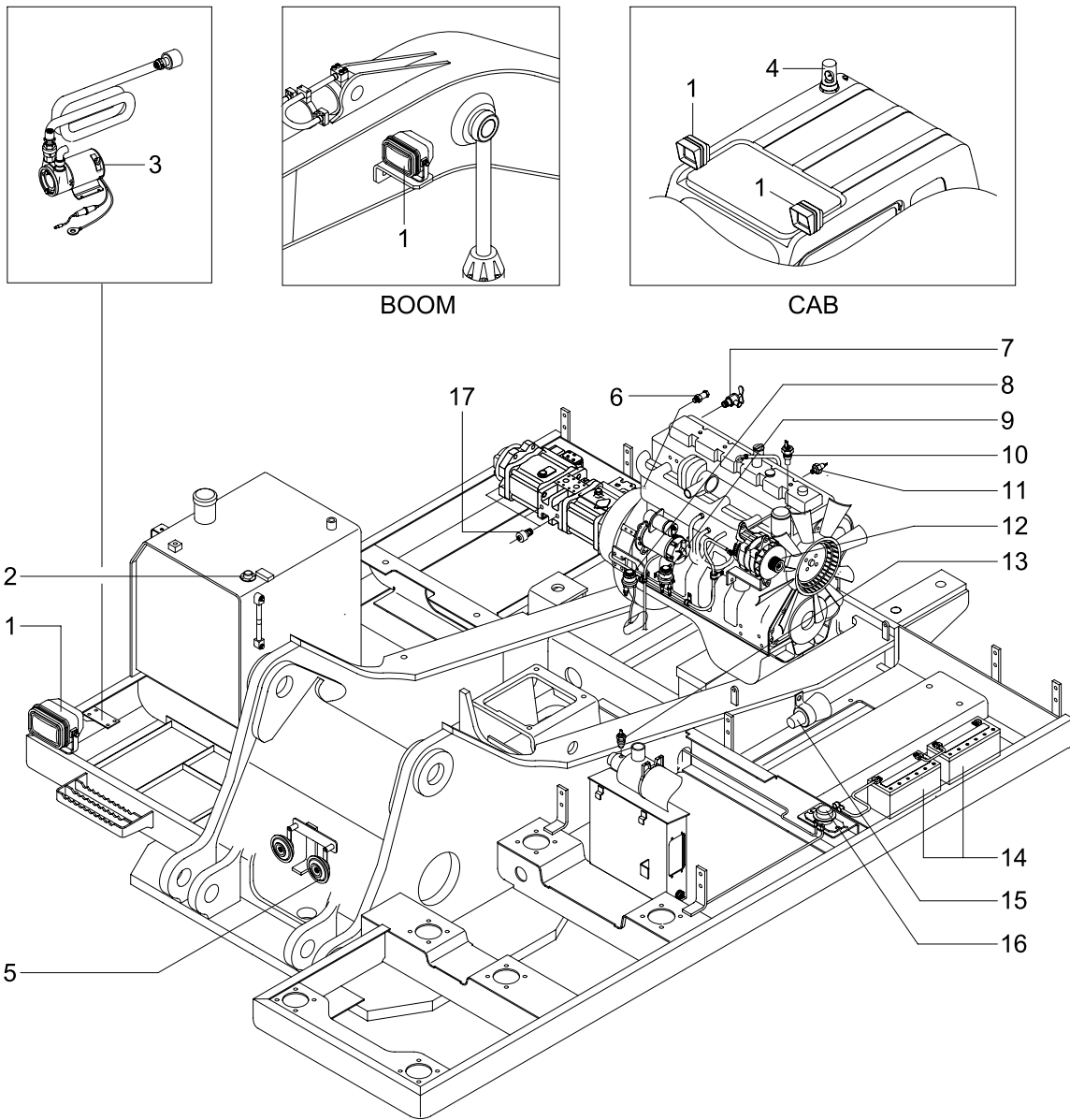
## 2. LOCATION 2(up to #1000)



21074EL02

- |   |                  |    |                            |    |                     |
|---|------------------|----|----------------------------|----|---------------------|
| 1 | Lamp             | 7  | Pressure sender            | 13 | Alternator          |
| 2 | Fuel sender      | 8  | Heater valve               | 14 | Air cleaner switch  |
| 3 | Fuel filler pump | 9  | Start relay                | 15 | Master switch       |
| 4 | Beacon lamp      | 10 | Heater relay               | 16 | Battery             |
| 5 | Horn             | 11 | Temp sender                | 17 | Travel alarm buzzer |
| 6 | Speed sensor     | 12 | Engine oil pressure switch | 18 | Battery relay       |

## 2. LOCATION 2(#1001 and up, TIER II)



21074EL02A

- |   |                  |    |                            |    |                     |
|---|------------------|----|----------------------------|----|---------------------|
| 1 | Lamp             | 7  | Heater valve               | 13 | Air cleaner switch  |
| 2 | Fuel sender      | 8  | Start relay                | 14 | Battery             |
| 3 | Fuel filler pump | 9  | Heater relay               | 15 | Travel alarm buzzer |
| 4 | Beacon lamp      | 10 | Temp sender                | 16 | Battery relay       |
| 5 | Horn             | 11 | Engine oil pressure switch | 17 | Pressure sender     |
| 6 | Speed sensor     | 12 | Alternator                 |    |                     |