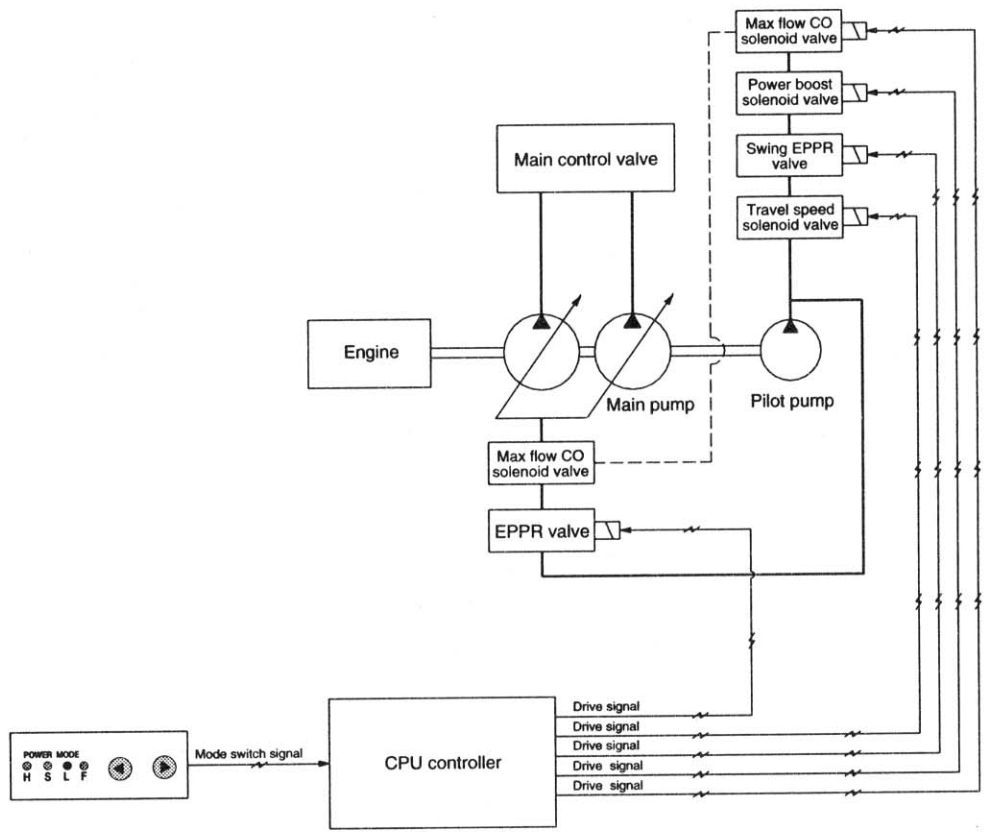


GROUP 4 MAX FLOW CUT-OFF FUNCTION



1. MAX FLOW CUT-OFF FUNCTION

If the power is selected out of the L mode of cluster, max flow cut off solenoid valve is activated.

Thus, pilot pressure(P_i) flows into the Q_{max} cut-off port of main pump, and it reduces the pump discharge volume.

