

## GROUP 5 CONNECTORS

### 1. CONNECTOR DESTINATION

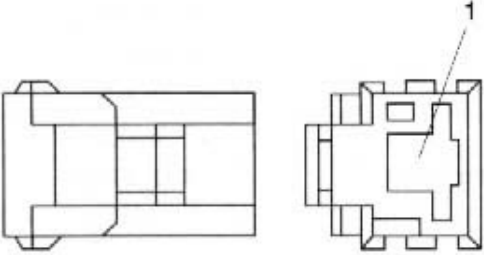
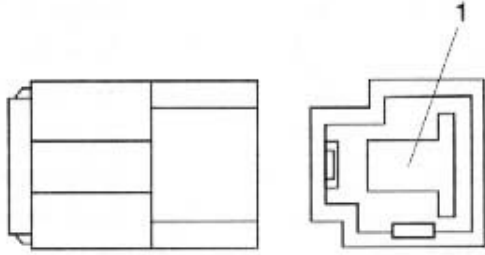
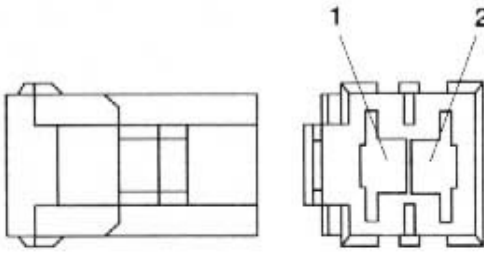
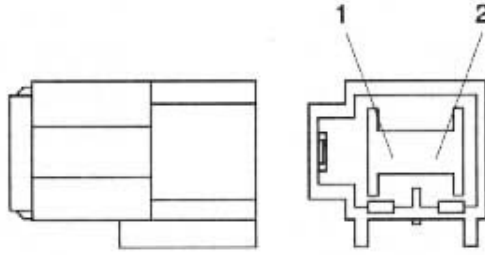
Connector number	Type	No. of pin	Destination	Connector part No.	
				Female	Male
CN-1	SWP	14	I/conn(Engine harness-main harness)	S814-014000	S814-114000
CN-2	SWP	12	I/conn(Engine harness-main harness)	S814-012000	S814-112000
CN-3	SWP	8	I/conn(solenoid harness-main harness)	S814-008000	S814-108000
CN-4	SWP	12	I/conn(R.H harness-main harness)	S814-012000	S814-112000
CN-5	370FASTON	2	I/conn(R.H harness-main harness)	S813-030200	S813-130200
CN-6	SWP	8	I/conn(Cabin harness-main harness)	S814-008000	S814-108000
CN-7	SWP	12	I/conn(Cabin harness-main harness)	S814-012000	S814-112000
CN-8	SWP	14	I/conn(Cabin harness-main harness)	S814-014000	S814-114000
CN-9	SWP	4	I/conn(Cabin harness-main harness)	S814-004000	S814-104000
CN-10	BS	2	I/conn(Boom harness-main harness)	MG610574-4	MG640188-4
CN-11	SWP	1	I/conn	S814-001000	S814-101000
CN-13	CN	4	I/conn(Wiper harness-cabin harness)	S810-004202	S810-104202
CN-14	CN	4	I/conn(Cabin harness-wiper harness)	S810-004204	-
CN-20	MARK-II	1	Horn	S819-010122	-
CN-21	CN	4	Wiper motor	S810-004202	-
CN-22	CN	2	Washer tank	S810-002202	-
CN-23	AMP	2	Speaker (LH)	S819-020222	S819-120222
CN-24	AMP	2	Speaker (RH)	S819-020222	S819-120222
CN-25	MARK-II	1	Horn	S819-010122	-
CN-26	KET	3	Buzzer	S814-003000	S814-103000
CN-27	PA	9	Cassette & radio	S811-009003	-
CN-28	CN	2	Compressor	S810-001202	-
CN-29	AMP	2	R/dryer	S812-002001	-
CN-30	CN	5	Fan speed switch	S810-005202	-
CN-31	CN	4	Blower	S810-004202	-
CN-32	PA	3	Air-con switch	S811-003001	-
CN-36	SWP	12	Fuse box	S814-012000	-
CN-37	AMP	3	Fuse box	S810-003202	-
CN-38	SWP	8	Fuse box	S814-008000	-
CN-40	58-L	2	Fuse box	S813-030200	-
CN-45	RING-TERM	-	Start motor B <sup>+</sup>	S820-310000	-
CN-47	CN	2	Resistor	S810-002202	-
CN-48	CN	2	Hour motor	S810-002202	-
CN-50	AMP	10	CPU & controller	S811-010002	S815-152000
CN-51	AMP	18	CPU & controller	S811-018002	S815-152000
CN-52	AMP	24	CPU & controller	S811-024002	S815-152000
CN-53	AMP	13	CPU & controller	S811-013002	S811-113002
CN-56	ML	16	Cluster	AMP,174046-2	-

Connector number	Type	No. of pin	Destination	Connector part No.	
				Female	Male
CN-57	ML	12	Cluster	AMP,174046-2	-
CN-60	58-L	2	Fusible link	S813-030200	S813-130200
CN-61	KET	1	Fuel filler pump	S822-015000	S822-115001
CN-65	KET	1	Travel alarm buzzer	S822-014000	S822-114001
CN-66	KET	2	Breaker solenoid	S814-002000	S814-102000
CN-68	KET	2	Safety solenoid	S814-002000	S814-102000
CN-70	KET	2	Travel solenoid	S814-002000	S814-102000
CN-74	RING-TERM	-	Alternator "I" term	S820-106000	-
CN-75	AMP	2	EPPR valve	174354-2	174352-2
CN-76	58-X	4	Governor motor	S813-060400	S813-160400
CN-77	58-X	3	Potentiometer	S813-060300	S813-160300
CN-78	KET	1	Ether	S822-014000	S822-114001
CN-79	RING-TERM	1	Fuel cut-off solenoid	S820-105000	-
CN-86	SWP	2	Swing lock solenoid	S814-002000	S814-102000
CN-87	SWP	2	Max flow solenoid	S814-002000	S814-102000
CN-88	SWP	2	Power boost solenoid	S814-002000	S814-102000
CN-89	SWP	2	Arm half solenoid	S814-002000	S814-102000
CN-99	SWP	3	Buzzer	S814-003000	S814-103000
CN-124	AMP	2	Swing EPPR valve	174354-2	174352-2
CN-126	SWP	2	Electric socket	S814-002000	S814-102000
· Relay					
CR-1	RING-TERM	-	Battery relay	S820-104000	-
CR-2	CN	4	Horn relay	S810-004202	-
CR-3	CN	4	Work lamp relay	S810-004202	-
CR-4	CN	5	Wiper relay	S810-005202	-
CR-7	CN	4	Air-con relay	S810-004202	-
CR-9	CN	4	Cabin lamp relay	S810-004202	-
CR-13	CN	4	Head lamp relay	S810-004202	-
CR-23	CN	2	Start relay	S816-002003	-
· Switch					
CS-1	KET	1	Door switch	S810-014000	-
CS-2	SWP	6	Start switch	S814-006000	-
CS-3	SWF	10	Wiper switch	SWF,593757	-
CS-4	CN	3	Safety switch	S810-003202	-
CS-5	KET	1	Horn switch	S822-014000	S822-114000
CS-7	CN	6	Prolix switch	S810-006202	-
CS-16	SWF	10	Travel alarm switch	SWF,593757	-
CS-21	SWF	10	Lamp switch	SWF,593757	-
CS-22	SWF	10	Ether switch	SWF,593757	-
CS-23	SWF	10	Beacon lamp switch	SWF,593757	-
CS-24	SWF	10	Cabin lamp switch	SWF,593757	-

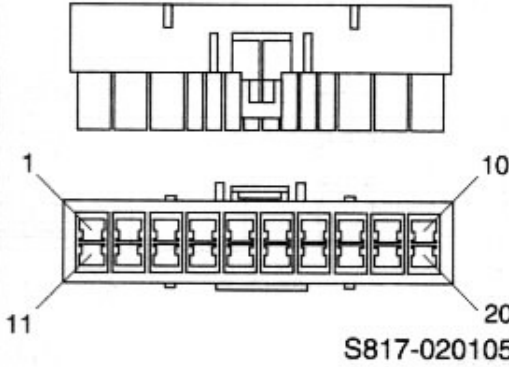
Connector number	Type	No. of pin	Destination	Connector part No.	
				Female	Male
CS-26	KET	1	Pedal switch	S822-014000	S822-014000
CS-27	SWF	10	Breaker switch	SWF,593757	-
CS-29	KET	1	Power boost switch	S822-014000	S822-014000
CS-30	SWF	10	Washer switch	SWF,593757	-
CS-36	SWF	10	Work lamp switch	SWF,593757	-
CS-39	SWF	10	Head lamp switch	SWF,593757	-
CS-50	SWF	10	Arm half switch	SWF,593757	-
CS-51	SWP	3	Swing speed control switch	S814-003000	-
CS-53	SWF	10	Overload switch	SWF,593757	-
· Light					
CL-1	CN	2	Room lamp	YAZAKI,7123-8326	-
CL-2	KET	1	Cigar lighter	S822-014004	S822-114004
CL-3, 4	SWP	2	Head lamp	S814-002000	S814-102000
CL-5, 6	SWP	2	Work lamp	S814-002000	S814-102000
CL-7	AMP	1	Beacon lamp	S822-014000	S822-114000
CL-8	KET	1	Cabin lamp (rear)	S822-014000	S822-114000
CL-9	KET	1	Cabin lamp (LH)	S822-014000	S822-114000
CL-10	KET	1	Cabin lamp (RH)	S822-014000	S822-114000
CL-23	SWF	2	Overload lamp	SWF,913328	-
· Sensor,sendor					
CD-1	AMP	1	Hydraulic oil temp sender	AMP1-150656	-
CD-2	CN	2	Fuel sender	KET,MG 610320	-
CD-6	AMP	1	Auto idle press switch	S819-010122	
CD-7	AMP	1	Auto idle press switch	S819-010122	
CD-8	MARK- II	1	Water temp sender	S819-010122	-
CD-9	KET	1	Overheat sender	S822-014000	-
CD-10	KET	1	Air cleaner switch	S822-014000	S822-114000
CD-11	KET	1	Travel alarm press switch	S822-014000	-
CD-12	KET	1	Travel alarm press switch	S822-014000	-
CD-13	KET	1	Travel alarm press switch	S822-014000	-
CD-14	KET	1	Travel alarm press switch	S822-014000	-
CD-16	CN	2	Water level sender	S810-002202	-
CD-17	TWP	2	Tachosensor	-	S818-120221
CD-18	CN	1	Engine oil press switch	S810-001202	-
CD-37	SWP	2	Overload sender	S814-002000	S814-102000

## 2. CONNECTION TABLE FOR CONNECTORS

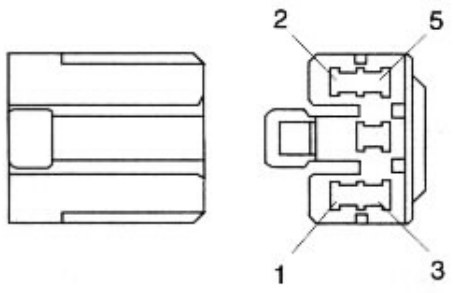
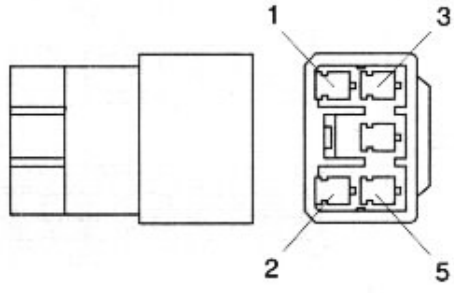
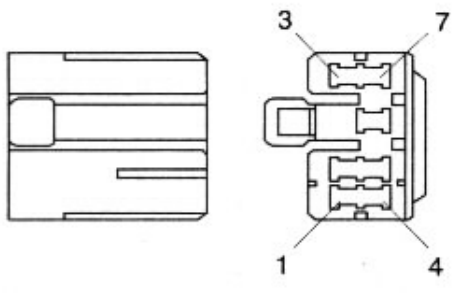
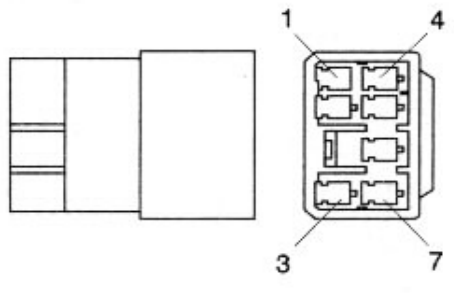
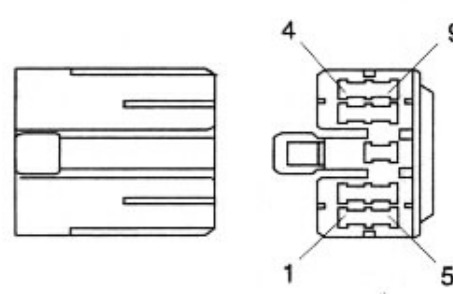
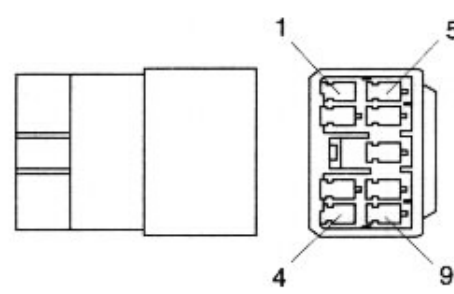
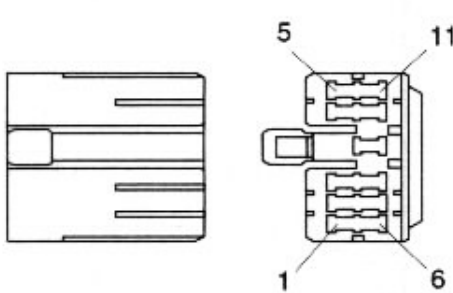
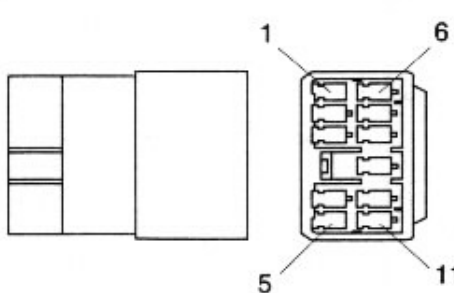
### 1) 58-L TYPE CONNECTOR

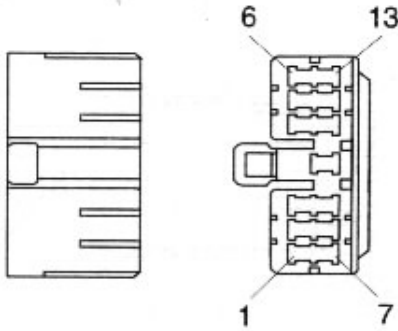
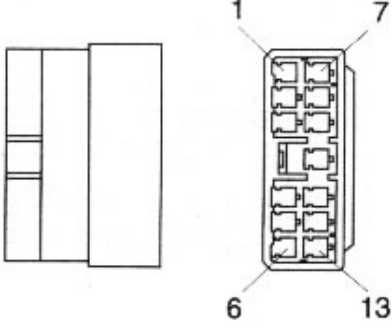
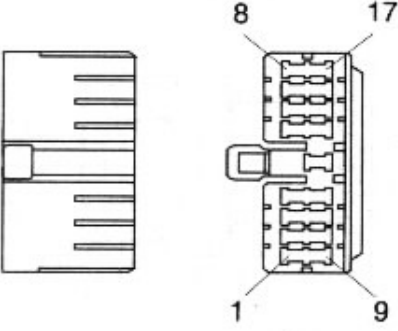
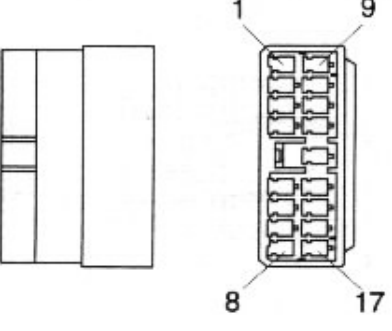
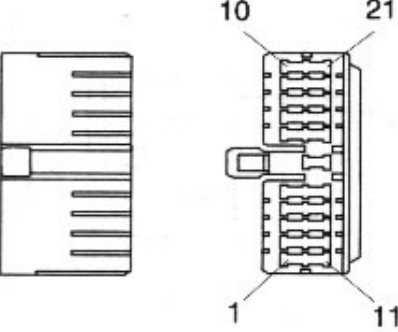
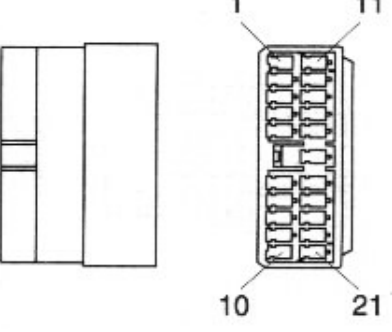
No. of pin	Receptacle connector(Female)	Plug connector(Male)
1	 <p data-bbox="635 757 810 790">S813-030100</p>	 <p data-bbox="1169 757 1345 790">S813-130100</p>
2	 <p data-bbox="635 1160 810 1193">S813-030200</p>	 <p data-bbox="1169 1160 1345 1193">S813-130200</p>

2) MULTILOCK TYPE CONNECTOR

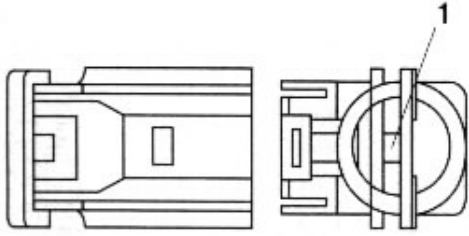
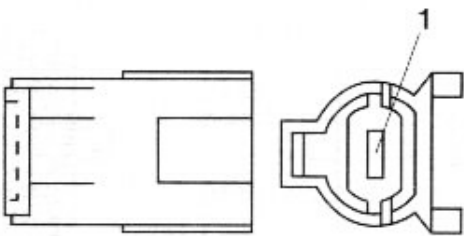
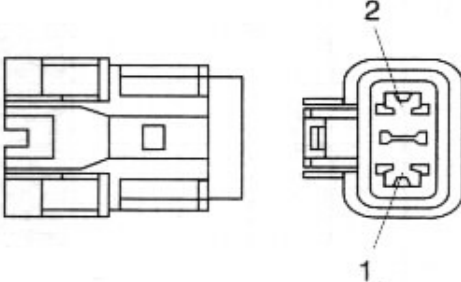
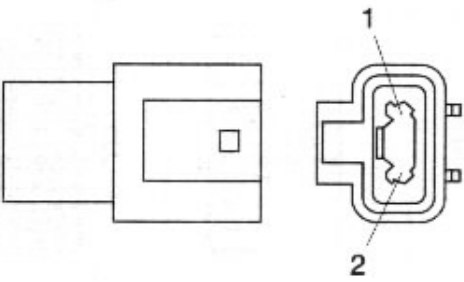
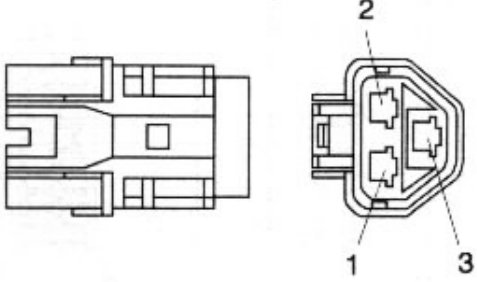
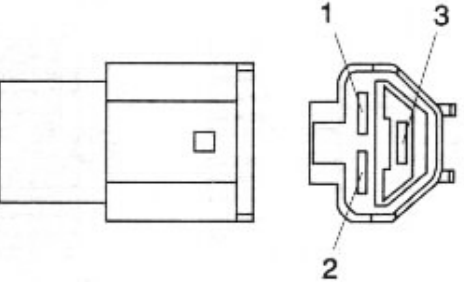
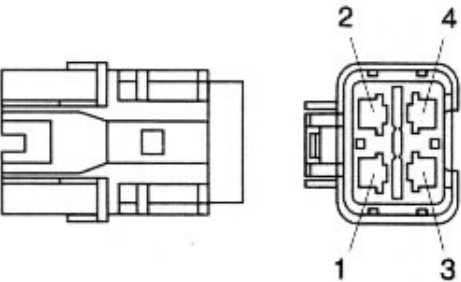
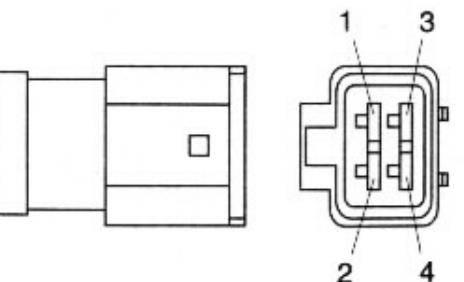
No. of pin	Receptacle connector(Female)	Plug connector(Male)
20	 <p>S817-020105</p>	

### 3) PA TYPE CONNECTOR

No. of pin	Receptacle connector(Female)	Plug connector(Male)
5	 <p style="text-align: center;">S811-005002</p>	 <p style="text-align: center;">S811-105002</p>
7	 <p style="text-align: center;">S811-007002</p>	 <p style="text-align: center;">S811-107002</p>
9	 <p style="text-align: center;">S811-009002</p>	 <p style="text-align: center;">S811-109002</p>
11	 <p style="text-align: center;">S811-011002</p>	 <p style="text-align: center;">S811-111002</p>

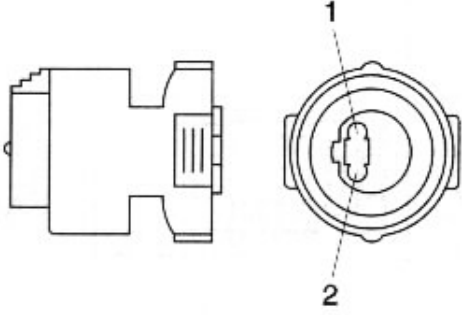
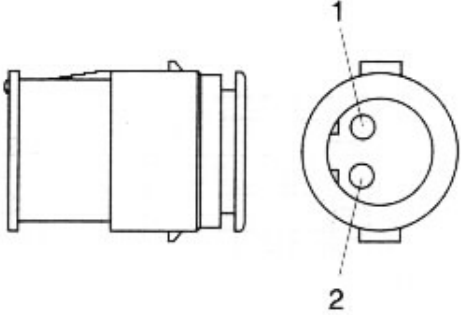
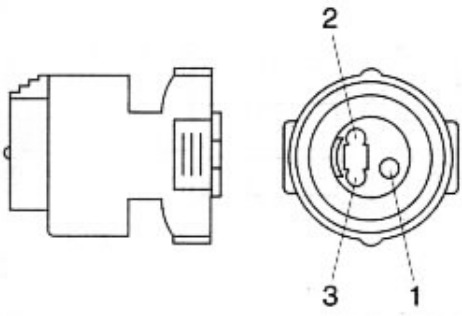
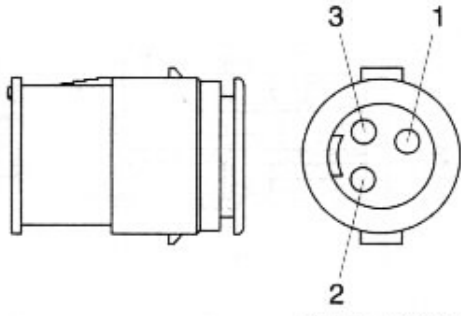
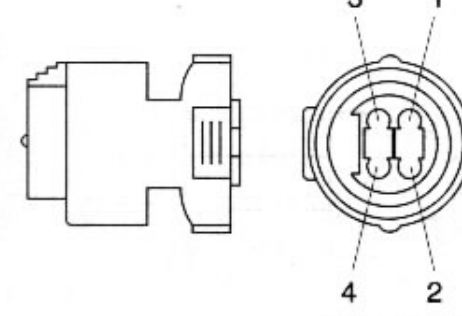
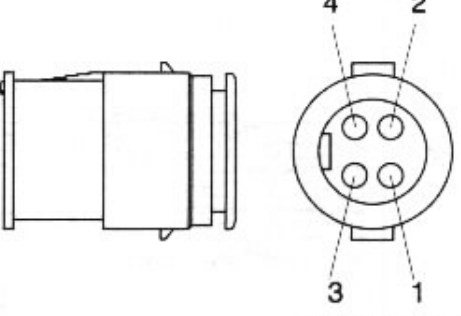
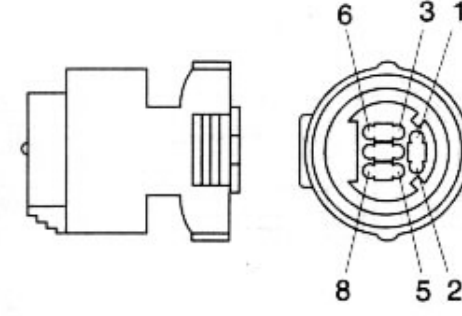
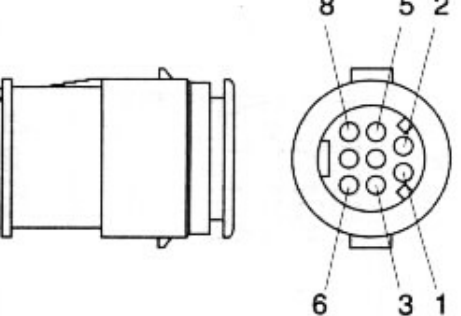
No. of pin	Receptacle connector(Female)	Plug connector(Male)
13	 <p style="text-align: center;">S811-013002</p>	 <p style="text-align: center;">S811-013002</p>
17	 <p style="text-align: center;">S811-017002</p>	 <p style="text-align: center;">S811-117002</p>
21	 <p style="text-align: center;">S811-021002</p>	 <p style="text-align: center;">S811-121002</p>

#### 4) 58-X TYPE CONNECTOR

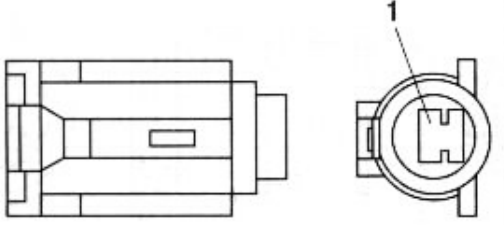
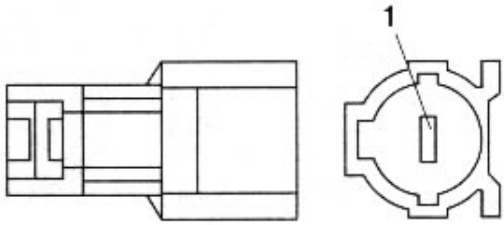
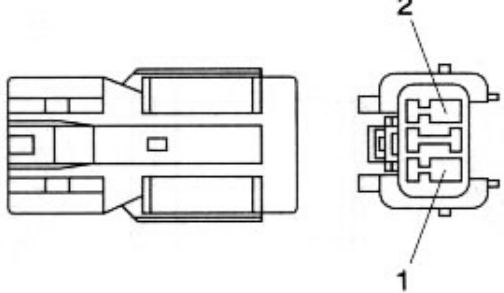
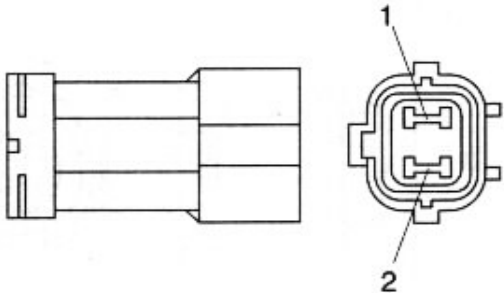
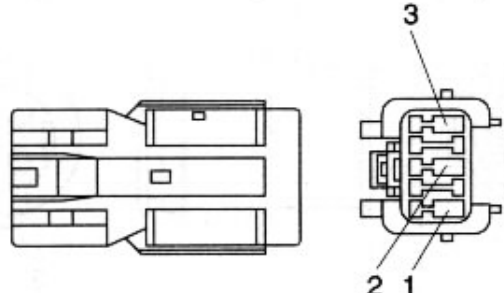
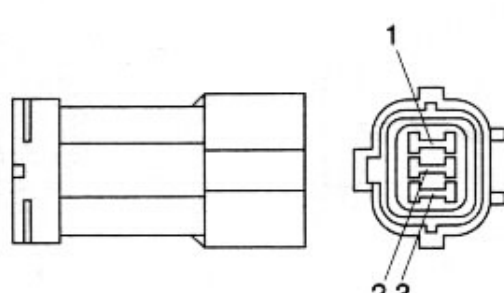
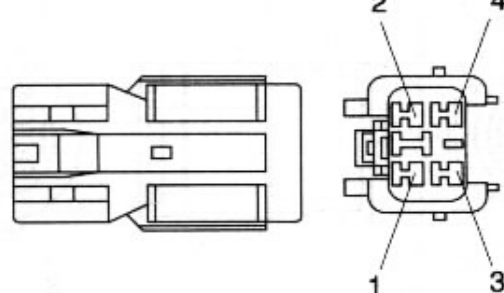
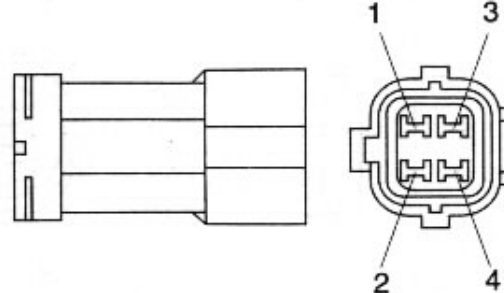
No. of pin	Receptacle connector(Female)	Plug connector(Male)
1	 <p data-bbox="616 707 791 741">S813-060100</p>	 <p data-bbox="1158 707 1334 741">S813-160100</p>
2	 <p data-bbox="616 1111 791 1144">S813-060200</p>	 <p data-bbox="1158 1111 1334 1144">S813-160200</p>
3	 <p data-bbox="616 1514 791 1547">S813-060200</p>	 <p data-bbox="1158 1514 1334 1547">S813-060200</p>
4	 <p data-bbox="616 1917 791 1951">S813-060200</p>	 <p data-bbox="1158 1917 1334 1951">S813-060200</p>

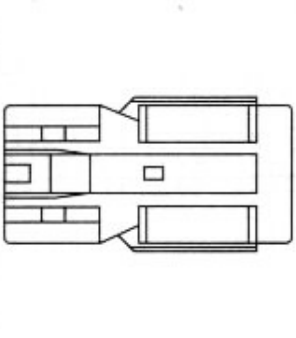
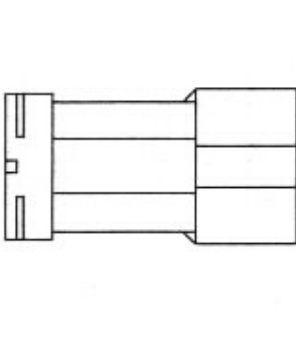
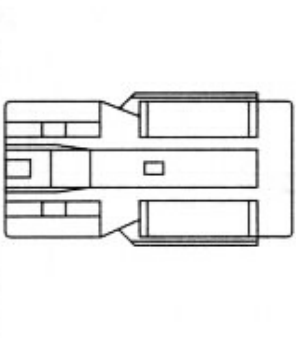
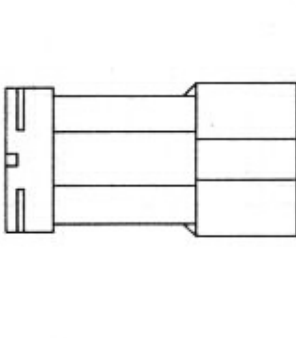
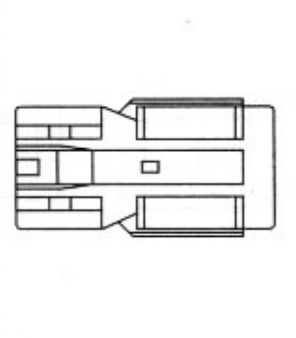
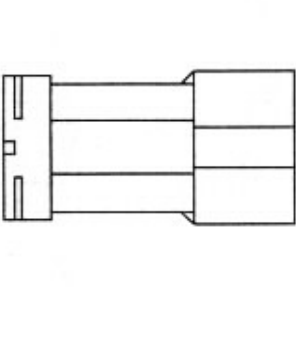
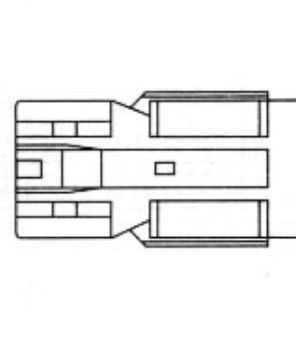
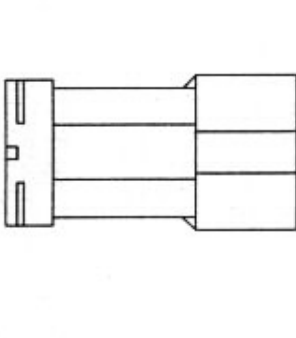


### 5) J TYPE CONNECTOR

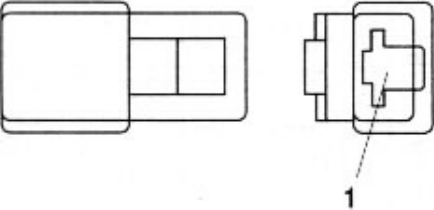
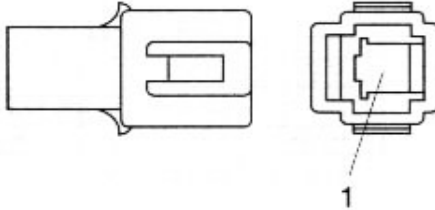
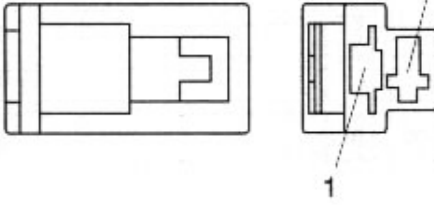
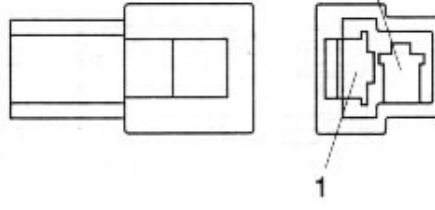
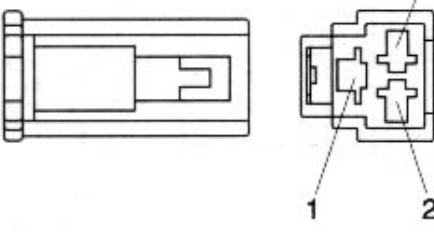
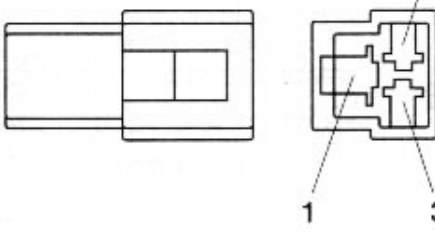
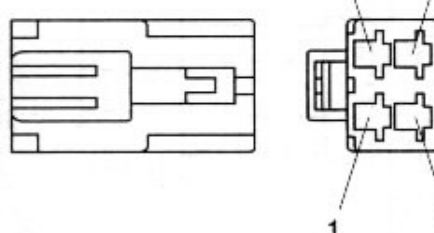
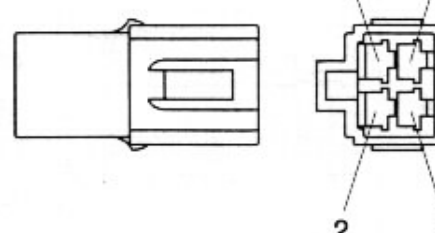
No. of pin	Receptacle connector(Female)	Plug connector(Male)
2	 <p style="text-align: center;">S816-002001</p>	 <p style="text-align: center;">S816-102001</p>
3	 <p style="text-align: center;">S816-003001</p>	 <p style="text-align: center;">S816-103001</p>
4	 <p style="text-align: center;">S816-004001</p>	 <p style="text-align: center;">S816-104001</p>
8	 <p style="text-align: center;">S816-008001</p>	 <p style="text-align: center;">S816-108001</p>

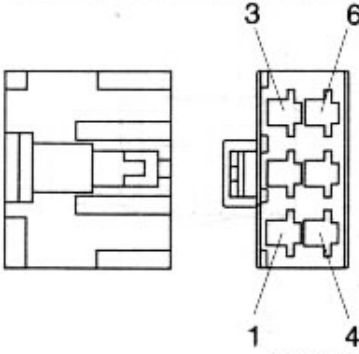
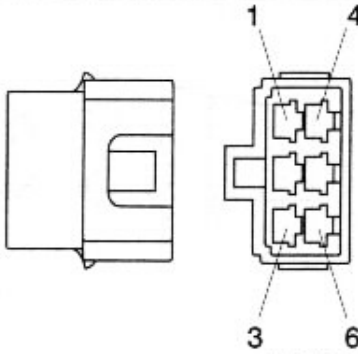
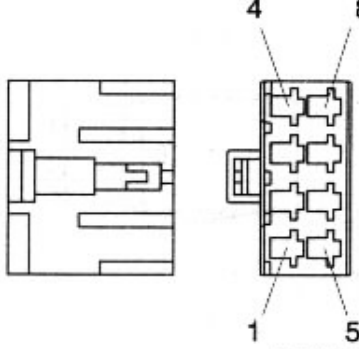
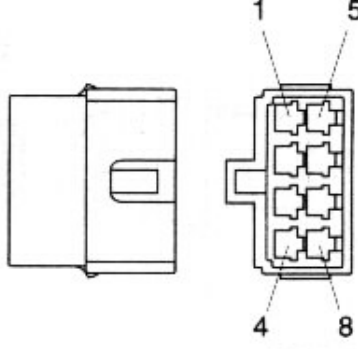
6) SWP TYPE CONNECTOR

No. of pin	Receptacle connector(Female)	Plug connector(Male)
1	 <p data-bbox="635 712 810 745">S814-001000</p>	 <p data-bbox="1177 712 1353 745">S814-101000</p>
2	 <p data-bbox="635 1115 810 1149">S814-002000</p>	 <p data-bbox="1177 1115 1353 1149">S814-102000</p>
3	 <p data-bbox="635 1518 810 1552">S814-003000</p>	 <p data-bbox="1177 1518 1353 1552">S814-103000</p>
4	 <p data-bbox="635 1921 810 1955">S814-004000</p>	 <p data-bbox="1177 1921 1353 1955">S814-104000</p>

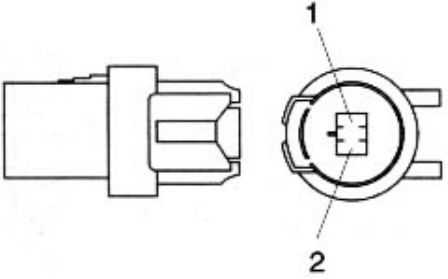
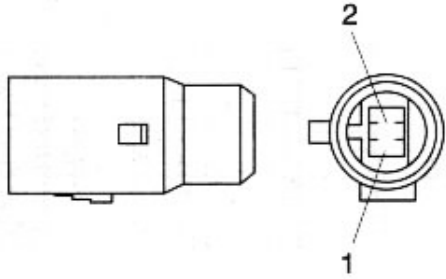
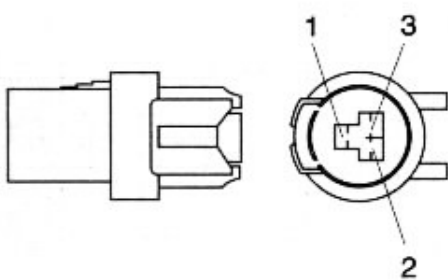
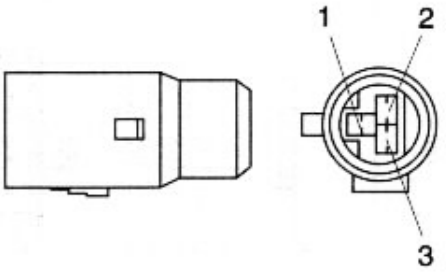
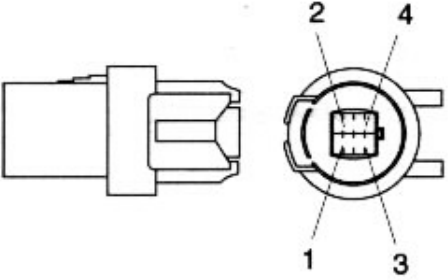
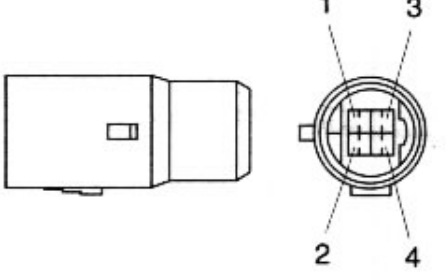
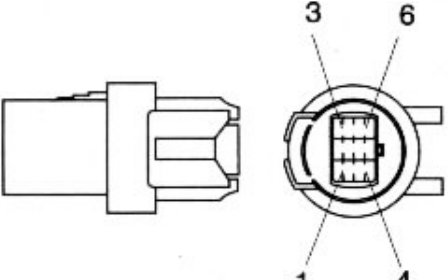
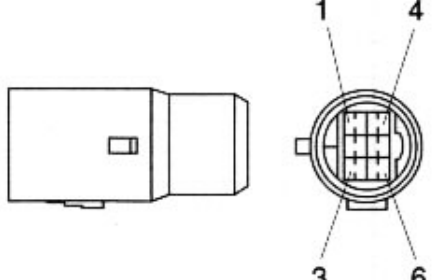
No. of pin	Receptacle connector(Female)	Plug connector(Male)
6	 <p data-bbox="708 707 884 741">S814-006000</p>	 <p data-bbox="1241 707 1417 741">S814-106000</p>
8	 <p data-bbox="708 1115 884 1149">S814-008000</p>	 <p data-bbox="1241 1104 1417 1137">S814-108000</p>
12	 <p data-bbox="708 1523 884 1556">S814-012000</p>	 <p data-bbox="1241 1512 1417 1545">S814-112000</p>
14	 <p data-bbox="708 1930 884 1964">S814-014000</p>	 <p data-bbox="1241 1919 1417 1953">S814-114000</p>

### 7) CN TYPE CONNECTOR

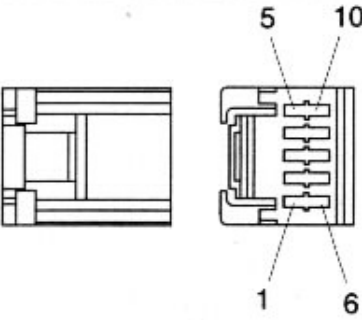
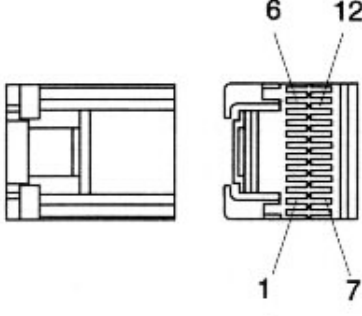
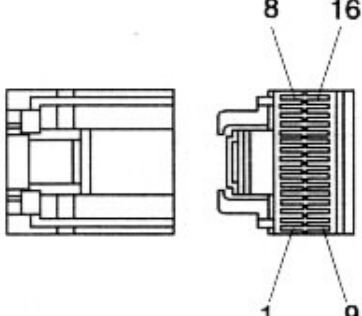
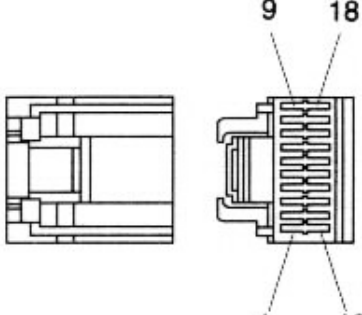
No. of pin	Receptacle connector(Female)	Plug connector(Male)
1	 <p data-bbox="635 707 807 741">S810-001202</p>	 <p data-bbox="1187 707 1350 741">S810-10120</p>
2	 <p data-bbox="635 1111 807 1144">S810-002202</p>	 <p data-bbox="1171 1111 1350 1144">S810-102202</p>
3	 <p data-bbox="635 1514 807 1547">S810-003202</p>	 <p data-bbox="1171 1514 1350 1547">S810-103202</p>
4	 <p data-bbox="635 1917 807 1951">S810-004202</p>	 <p data-bbox="1171 1917 1350 1951">S810-104202</p>

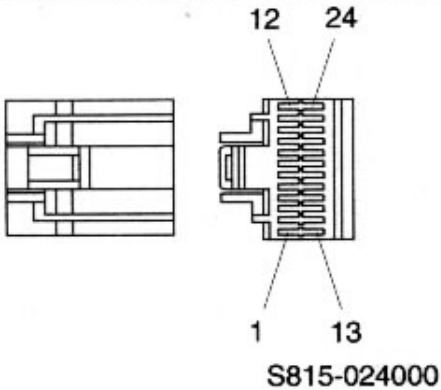
No. of pin	Receptacle connector(Female)	Plug connector(Male)
6	 <p data-bbox="710 705 885 739">S810-006202</p>	 <p data-bbox="1252 705 1428 739">S810-106202</p>
8	 <p data-bbox="710 1108 885 1142">S810-008203</p>	 <p data-bbox="1252 1108 1428 1142">S810-108203</p>

8) BS TYPE CONNECTOR

No. of pin	Receptacle connector(Female)	Plug connector(Male)
2	 <p data-bbox="619 712 794 745">S812-002001</p>	 <p data-bbox="1169 712 1345 745">S812-102001</p>
3	 <p data-bbox="619 1111 794 1144">S812-003001</p>	 <p data-bbox="1169 1111 1345 1144">S812-103001</p>
4	 <p data-bbox="619 1514 794 1547">S812-004001</p>	 <p data-bbox="1169 1514 1345 1547">S812-104001</p>
6	 <p data-bbox="619 1917 794 1951">S812-006001</p>	 <p data-bbox="1169 1917 1345 1951">S812-106001</p>

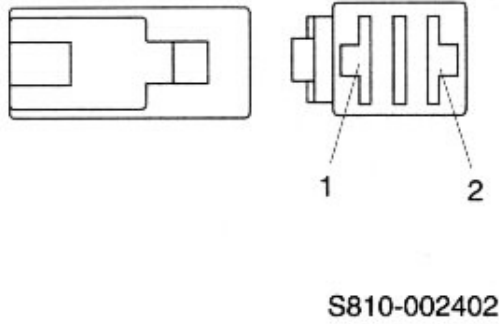
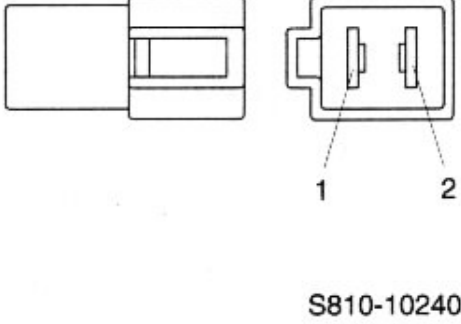
9) LC TYPE CONNECTOR

No. of pin	Receptacle connector(Female)	Plug connector(Male)
2	 <p style="text-align: center;">S815-010000</p>	
12	 <p style="text-align: center;">S815-012000</p>	
16	 <p style="text-align: center;">S815-016000</p>	
18	 <p style="text-align: center;">S815-018000</p>	

No. of pin	Receptacle connector(Female)	Plug connector(Male)
24	 <p style="text-align: center;">S815-024000</p>	



10) 375 FASTEN TYPE CONNECTOR

No. of pin	Receptacle connector(Female)	Plug connector(Male)
2	 <p style="text-align: center;">S810-002402</p>	 <p style="text-align: center;">S810-102402</p>