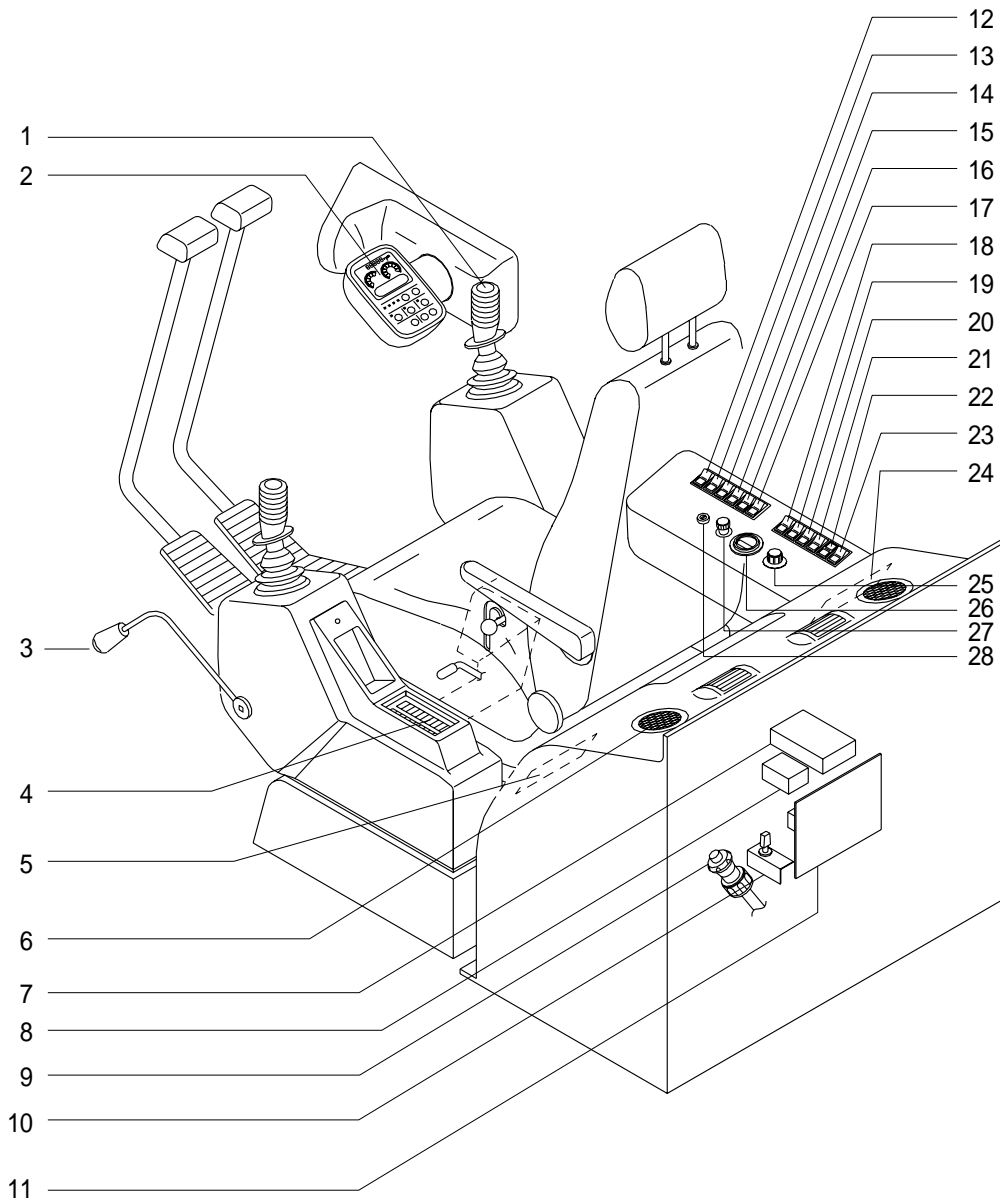


# SECTION 4 ELECTRICAL SYSTEM

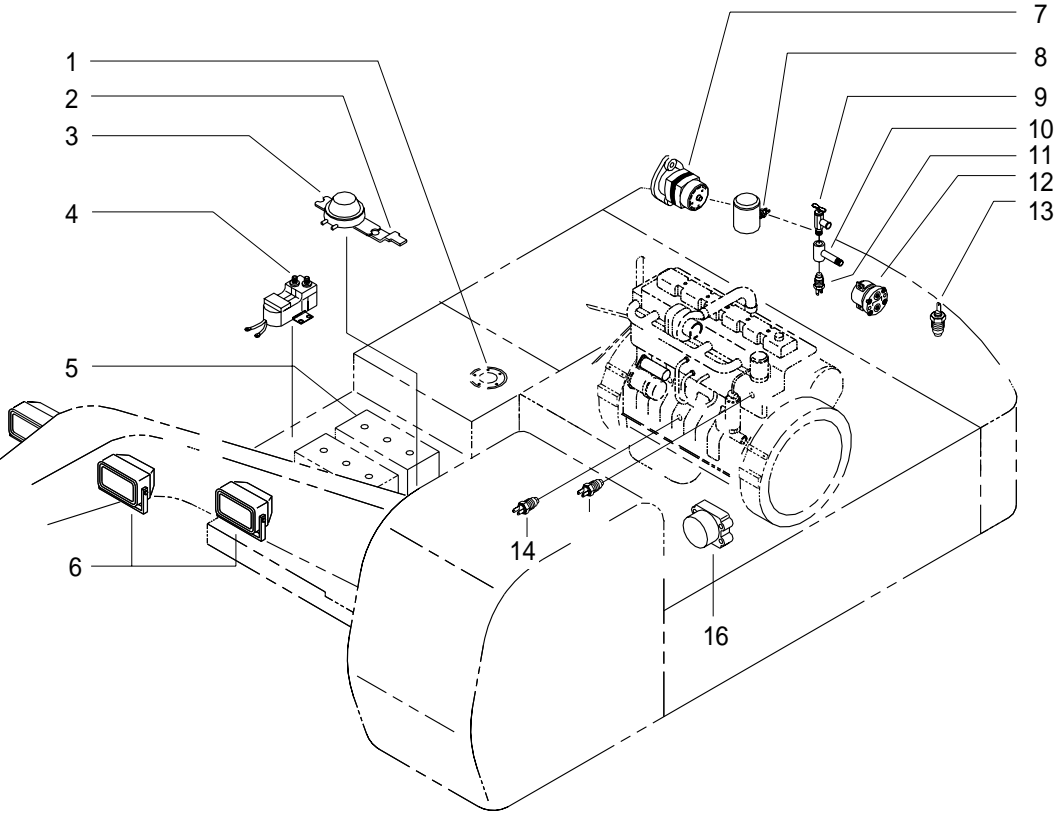
## GROUP 1 COMPONENT LOCATION

### 1. LOCATION 1



1	Horn switch	10	Prolix switch	20	Breaker switch
2	Cluster	11	Relay board	21	Overload switch
3	Safety lever	12	Washer switch	22	Overload warning lamp switch
4	Fuse box	13	Wiper switch	23	Beacon switch
5	Aircon & heater switch	14	Head lamp switch	24	Cassette & Radio
6	Speaker	15	Work switch	25	Swing speed switch
7	CPU controller	16	Cab lamp switch	26	Service meter
8	Resistor	17	Travel alarm switch	27	Cigar lighter
9	Emergency engine acceleration lever	18	Cold start switch	28	Starting switch
		19	Arm half flow switch		

**2. LOCATION 2**



- |   |                  |    |                   |    |                            |
|---|------------------|----|-------------------|----|----------------------------|
| 1 | Fuel sender      | 7  | Alternator        | 12 | Start relay                |
| 2 | Connector plate  | 8  | Water temp sender | 13 | Air cleaner switch         |
| 3 | Battery relay    | 9  | Heater valve      | 14 | Engine oil pressure switch |
| 4 | Fuel filler pump | 10 | Heater adapter    | 15 | Overheat switch            |
| 5 | Battery          | 11 | Hyd temp sender   | 16 | Governor motor             |
| 6 | Lamp             |    |                   |    |                            |