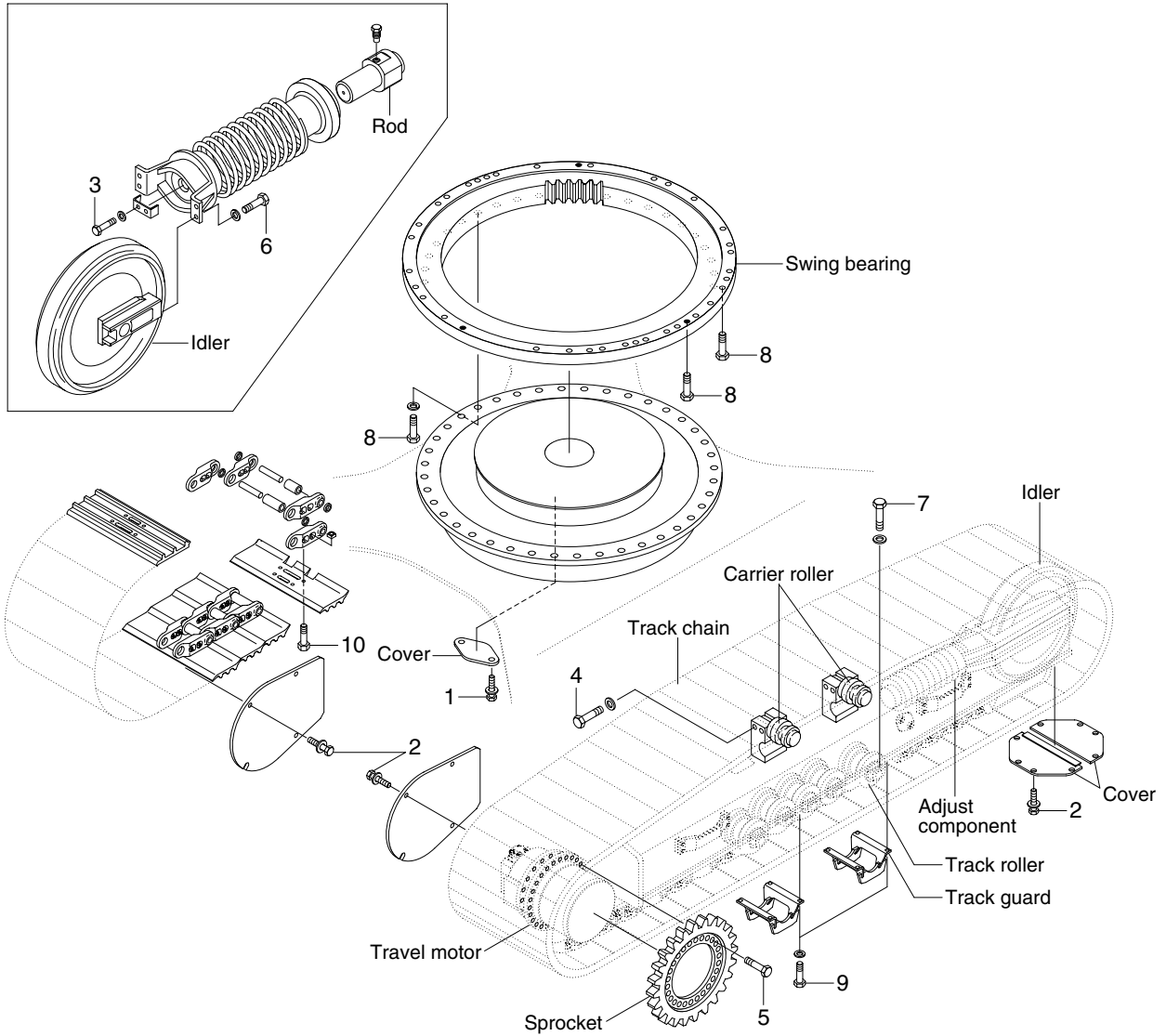


# GROUP 5 UNDERCARRIAGE

## UNDERCARRIAGE MOUNTING

### ADJUST COMPONENT



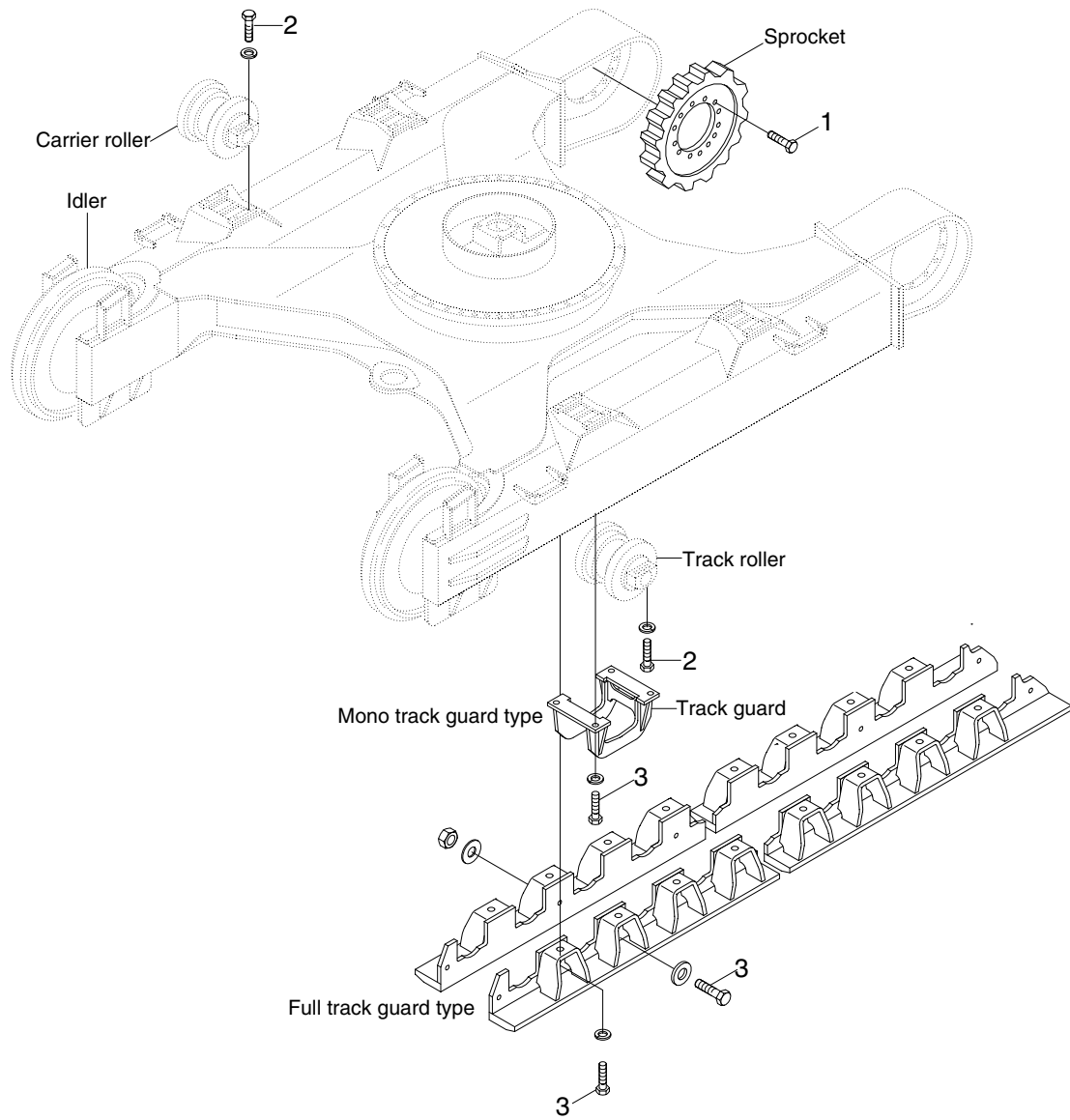
21079CM08

### · Tightening torque

Item	Size	kgf · m	lbf · ft
1	M10×1.5	6.9±1.4	49.9±10.1
2	M12×1.75	12.8±3.0	92.6±21.7
3	M12×1.75	15±0.5	108±3.6
4	M16×2.0	23±2.5	166±18.1
5	M16×2.0	26±4.0	188±28.9

Item	Size	kgf · m	lbf · ft
6	M16×2.0	29.7±4.5	215±32.5
7	M20×2.5	54.7±5.0	396±36.2
8	M20×2.5	57.8±6.4	418±46.3
9	M20×2.5	57.9±8.7	419±62.9
10	M20×2.5	78±8.0	564±57.9

# UNDERCARRIAGE MOUNTING(HIGH WALKER)



21079CM09

· Tightening torque

Item	Size	kgf · m	lbf · ft
1	M16×2.0	26±2.5	188±18.1
2	M20×2.5	54.7±5.0	396±36.2

Item	Size	kgf · m	lbf · ft
3	M24×3.0	100±15	723±108
-	-	-	-