

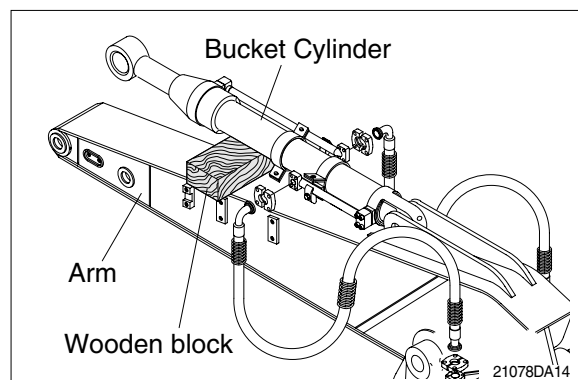
## GROUP 9 BOOM, ARM AND BUCKET CYLINDER

### 1. REMOVAL AND INSTALL

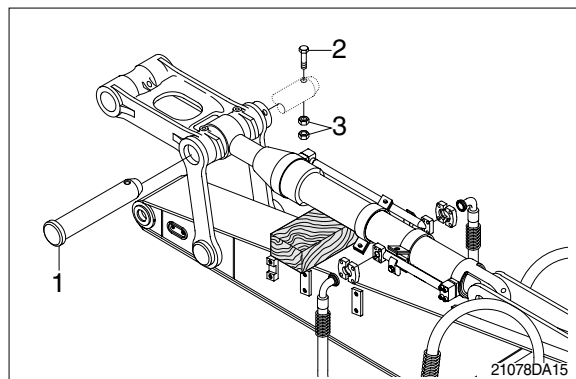
#### 1) BUCKET CYLINDER

##### (1) Removal

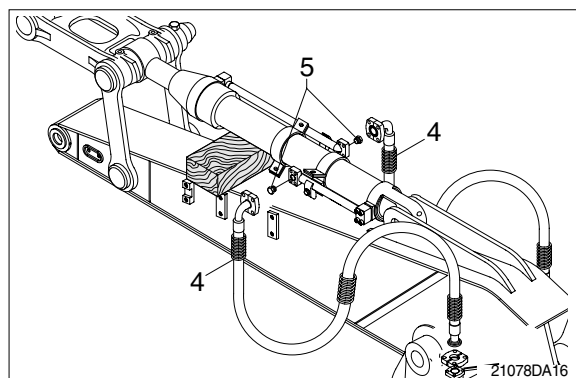
- ※ Expand the arm and bucket fully, lower the work equipment to the ground and stop the engine.
  - ※ Operate the control levers and pedals several times to release the remaining pressure in the hydraulic piping.
  - ▲ Loosen the breather slowly to release the pressure inside the hydraulic tank.
  - ※ Escaping fluid under pressure can penetrate the skin causing serious injury. Fit blind plugs in the hoses after disconnecting them, to prevent dirt or dust from entering.
- ① Set block between bucket cylinder and arm.



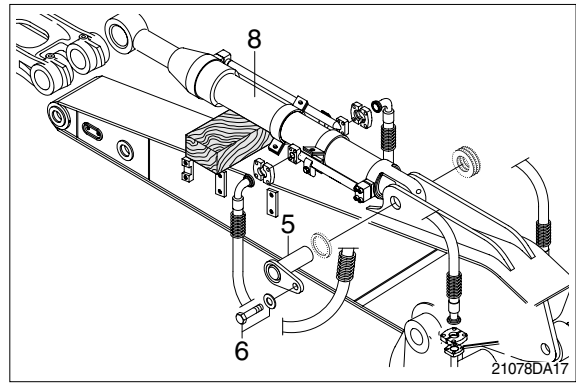
- ② Remove bolt(2), nut(3) and pull out pin (1).
- ※ Tie the rod with wire to prevent it from coming out.



- ③ Disconnect bucket cylinder hoses(4) and put plugs(5) on cylinder pipe.



- ④ Sling bucket cylinder assembly(8) and remove bolt(6) then pull out pin (5).
- ⑤ Remove bucket cylinder assembly(8).
  - Weight : 174kg(384lb)



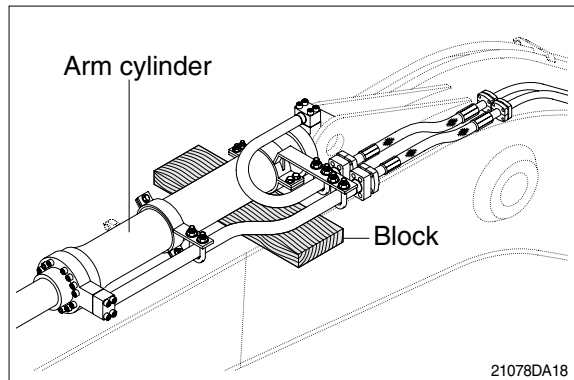
## (2) Install

- ① Carry out installation in the reverse order to removal.
- ▲ When aligning the mounting position of the pin, do not insert your fingers in the pin hole.
  - ※ Bleed the air from the bucket cylinder.
  - ※ Confirm the hydraulic oil level and check the hydraulic oil leak or not.

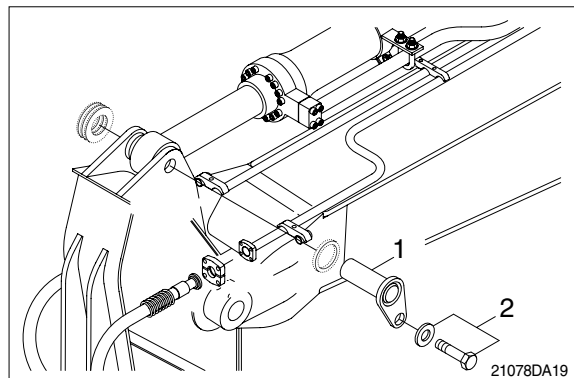
## 2) ARM CYLINDER

### (1) Removal

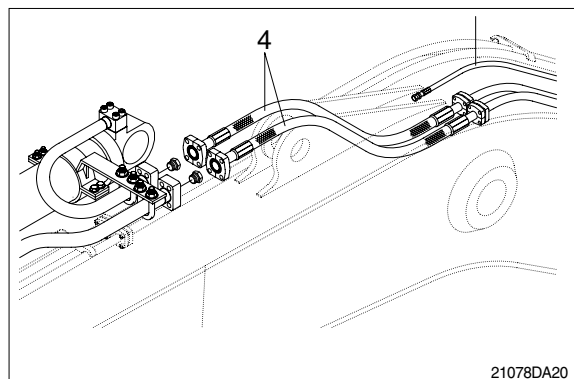
- ※ Expand the arm and bucket fully, lower the work equipment to the ground and stop the engine.
  - ※ Operate the control levers and pedals several times to release the remaining pressure in the hydraulic piping.
  - ▲ Loosen the breather slowly to release the pressure inside the hydraulic tank.
  - ※ Escaping fluid under pressure can penetrate the skin causing serious injury. Fit blind plugs in the hoses after disconnecting them, to prevent dirt or dust from entering.
- ① Set block between arm cylinder and boom.



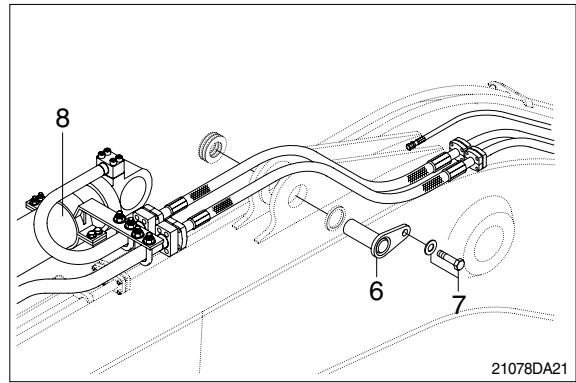
- ② Remove bolt(2) and pull out pin(1).
- ※ Tie the rod with wire to prevent it from coming out.



- ③ Disconnect arm cylinder hoses(4) and put plugs on cylinder pipe.
- ④ Disconnect greasing pipings(5).



- ⑤ Sling arm assembly(8) and remove bolt (7) then pull out pin(6).
- ⑥ Remove arm cylinder assembly(8).
  - Weight : 288kg(635lb)



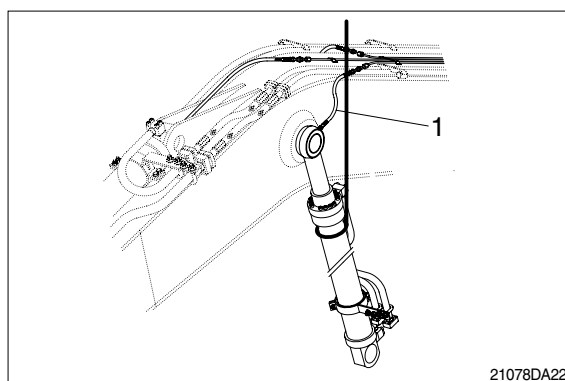
## (2) Install

- ① Carry out installation in the reverse order to removal.
- ⚠ When aligning the mounting position of the pin, do not insert your fingers in the pin hole.
  - ※ Bleed the air from the arm cylinder.
  - ※ Confirm the hydraulic oil level and check the hydraulic oil leak or not.

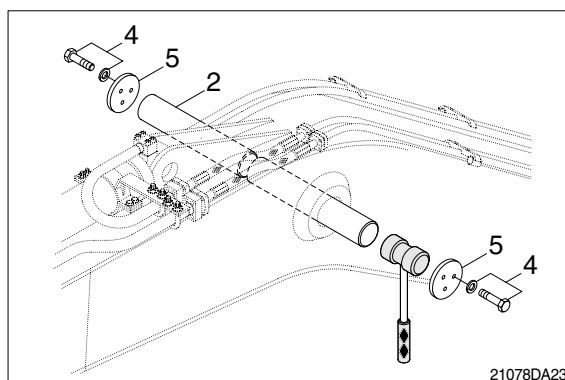
### 3) BOOM CYLINDER

#### (1) Removal

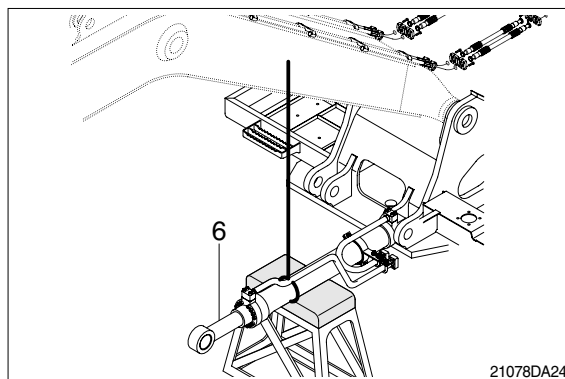
- ※ Expand the arm and bucket fully, lower the work equipment to the ground and stop the engine.
  - ※ Operate the control levers and pedals several times to release the remaining pressure in the hydraulic piping.
  - ▲ Loosen the breather slowly to release the pressure inside the hydraulic tank.
  - ※ Escaping fluid under pressure can penetrate the skin causing serious injury. Fit blind plugs in the hoses after disconnecting them, to prevent dirt or dust from entering.
- ① Disconnect greasing hoses(1).
  - ② Sling boom cylinder assembly.



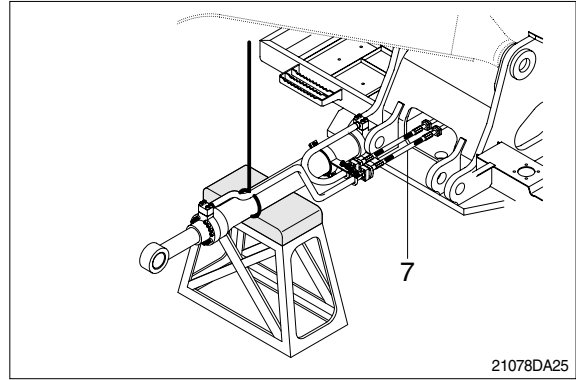
- ③ Remove bolt(4), stop plate(5) and pull out pin(2).
- ※ Tie the rod with wire to prevent it from coming out.



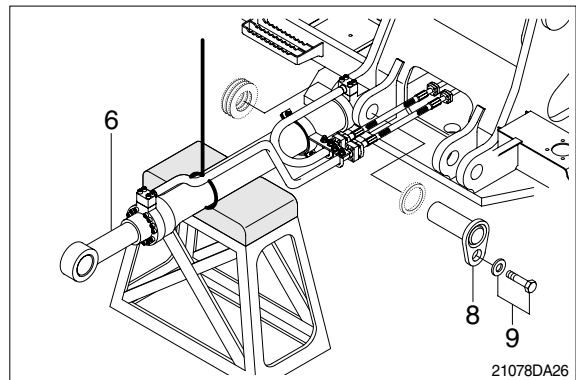
- ④ Lower the boom cylinder assembly(6) on a stand.



- ⑤ Disconnect boom cylinder hoses(7) and put plugs on cylinder pipe.



- ⑥ Remove bolt(9) and pull out pin(8).  
⑦ Remove boom cylinder assembly(6).  
· Weight : 182kg(386lb)



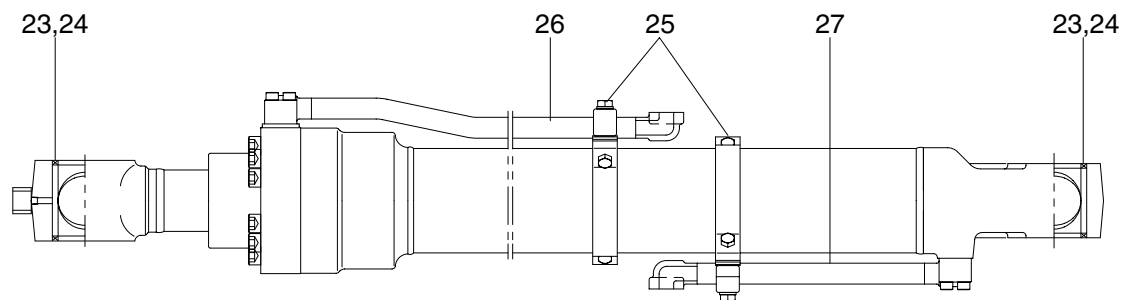
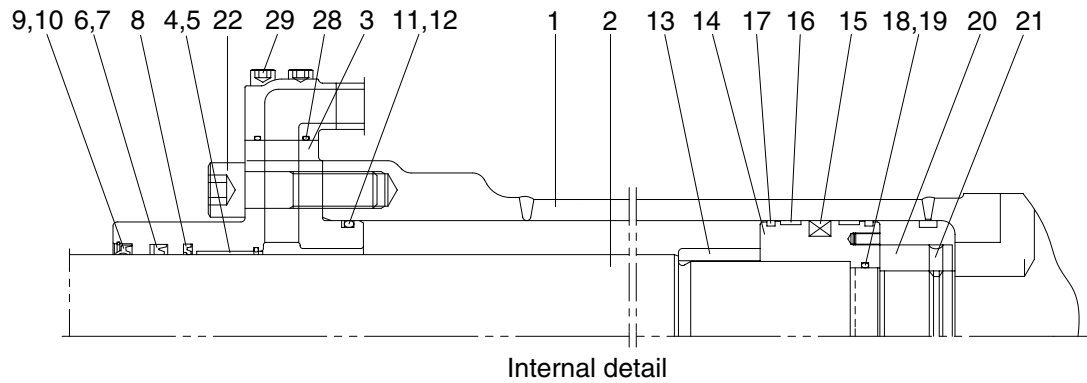
## (2) Install

- ① Carry out installation in the reverse order to removal.
- ▲ When aligning the mounting position of the pin, do not insert your fingers in the pin hole.
- ※ Bleed the air from the boom cylinder.
  - ※ Confirmed the hydraulic oil level and check the hydraulic oil leak or not.

## 2. DISASSEMBLY AND ASSEMBLY

### 1) STRUCTURE

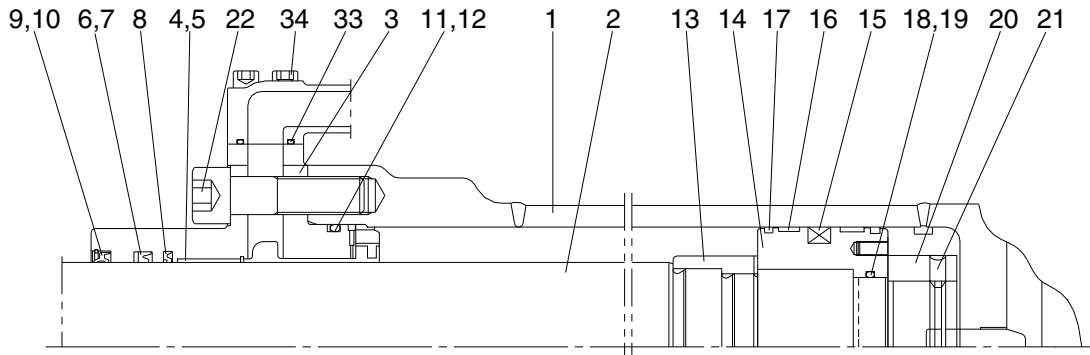
#### (1) Bucket cylinder



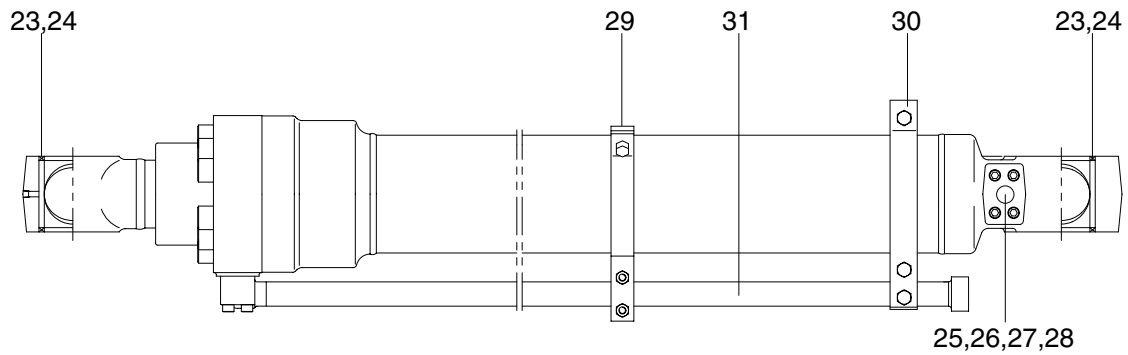
21078CY01

1	Tube assembly	11	O-ring	21	Hexagon socket set screw
2	Rod assembly	12	Back up ring	22	Hexagon socket head bolt
3	Gland	13	Cushion ring	23	Pin bushing
4	DD2 bushing	14	Piston	24	Dust seal
5	Snap ring	15	Piston seal	25	Band assembly
6	Rod seal	16	Wear ring	26	Pipe assembly-R
7	Back up ring	17	Dust ring	27	Pipe assembly-B
8	Buffer ring	18	O-ring	28	O-ring
9	Dust wiper	19	Back up ring	29	Hexagon socket head bolt
10	Snap ring	20	Lock nut		

## (2) Arm cylinder



Internal detail

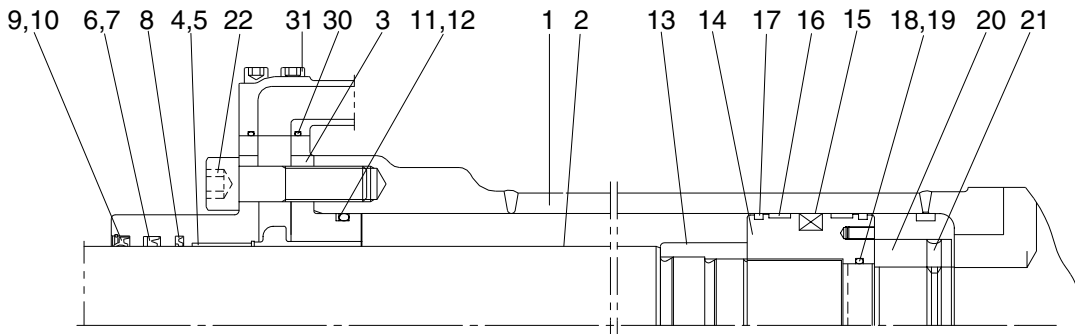


21078CY02

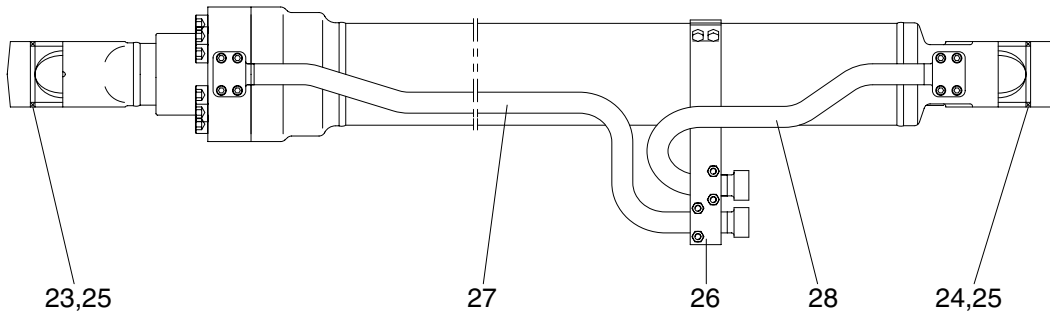
1	Tube assembly	12	Back up ring	23	Pin bushing
2	Rod assembly	13	Cushion ring	24	Dust seal
3	Gland	14	Piston	25	Check valve
4	DD2 bushing	15	Piston seal	26	Coil spring
5	Snap ring	16	Wear ring	27	O-ring
6	Rod seal	17	Dust ring	28	Plug
7	Back up ring	18	O-ring	29	Band assembly-R
8	Buffer ring	19	Back up ring	30	Band assembly-B
9	Dust wiper	20	Lock nut	31	Pipe assembly-R
10	Snap ring	21	Hexagon socket set screw	33	O-ring
11	O-ring	22	Hexagon socket head bolt	34	Hexagon socket head bolt



(3) Boom cylinder



Internal detail

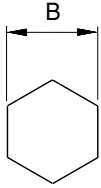


21078CY03

- |    |               |    |              |    |                          |
|----|---------------|----|--------------|----|--------------------------|
| 1  | Tube assembly | 11 | O-ring       | 21 | Hexagon socket set screw |
| 2  | Rod assembly  | 12 | Back up ring | 22 | Hexagon socket head bolt |
| 3  | Gland         | 13 | Cushion ring | 23 | Pin bushing              |
| 4  | DD2 bushing   | 14 | Piston       | 24 | Pin bushing              |
| 5  | Snap ring     | 15 | Piston seal  | 25 | Dust seal                |
| 6  | Rod seal      | 16 | Wear ring    | 26 | Band assembly            |
| 7  | Back up ring  | 17 | Dust ring    | 27 | Pipe assembly            |
| 8  | Buffer ring   | 18 | O-ring       | 28 | Pipe assembly            |
| 9  | Dust wiper    | 19 | Back up ring | 29 | O-ring                   |
| 10 | Snap ring     | 20 | Lock nut     | 30 | Hexagon socket head bolt |

## 2) TOOLS AND TIGHTENING TORQUE

### (1) Tools

Allen wrench	6	
	8	
	14	
	17	
Spanner	7	
	8	
(-) Driver	Small and large sizes	
Torque wrench	Capable of tightening with the specified torques	

### (2) Tightening torque

Part name		Item	Size	Torque	
				kgf · m	lbf · ft
Socket head bolt	Bucket cylinder	22	M16	23.0±2.0	166±14.5
		29	M10	5.4±0.5	39.1±3.6
	Boom cylinder	22	M16	23.0±2.0	166±14.5
		30	M10	5.4±0.5	39.1±3.6
	Arm cylinder	22	M18	32.0±3.0	232±21.7
34		M12	9.4±1.0	68.0±7.2	
Lock nut	Bucket cylinder	20	-	200±20.0	1447±145
	Boom cylinder	20	-	200±20.0	1447±145
	Arm cylinder	20	-	200±20.0	1447±145
Piston	Bucket cylinder	14	-	100±10.0	723±72.3
	Boom cylinder	14	-	100±10.0	723±72.3
	Arm cylinder	14	-	100±10.0	723±72.3

### 3) DISASSEMBLY

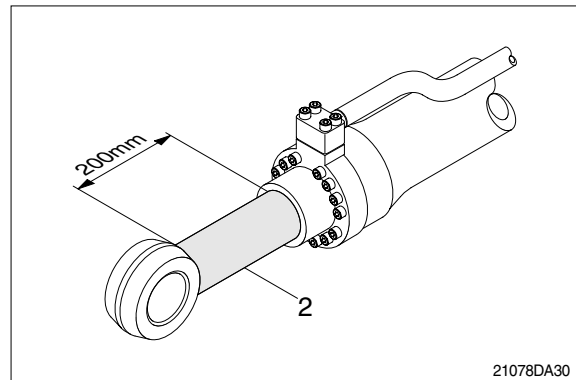
#### (1) Remove cylinder head and piston rod

※ Procedures are based on the bucket cylinder.

① Hold the clevis section of the tube in a vise.

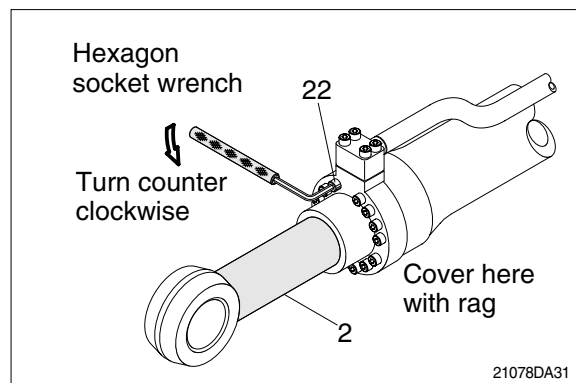
※ Use mouth pieces so as not to damage the machined surface of the cylinder tube. Do not make use of the outside piping as a locking means.

② Pull out rod assembly(2) about 200mm (7.1in). Because the rod assembly is rather heavy, finish extending it with air pressure after the oil draining operation.



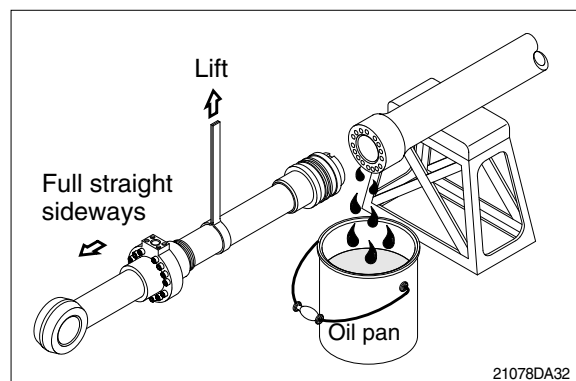
③ Loosen and remove socket bolts(22) of the gland in sequence.

※ Cover the extracted rod assembly(2) with rag to prevent it from being accidentally damaged during operation.



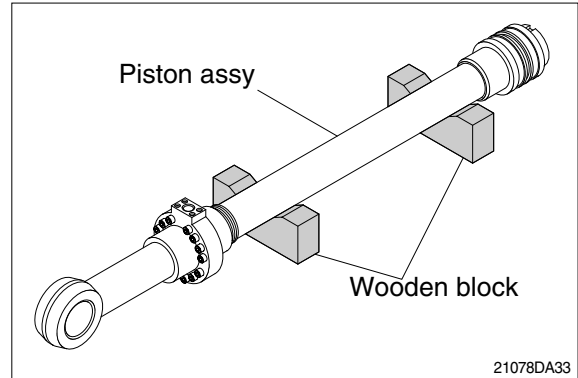
④ Draw out cylinder head and rod assembly together from tube assembly(1).

※ Since the rod assembly is heavy in this case, lift the tip of the rod assembly(2) with a crane or some means and draw it out. However, when rod assembly(2) has been drawn out to approximately two thirds of its length, lift it in its center to draw it completely.



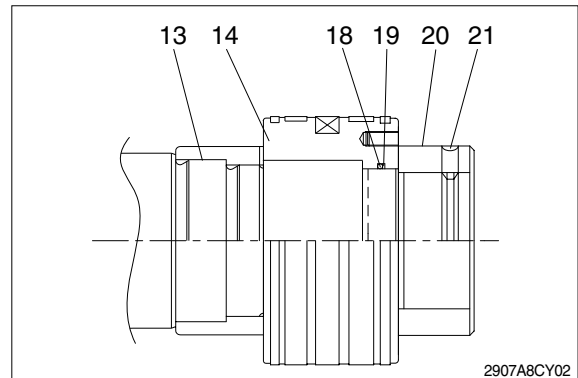
Note that the plated surface of rod assembly(2) is to be lifted. For this reason, do not use a wire sling and others that may damage it, but use a strong cloth belt or a rope.

- ⑤ Place the removed rod assembly on a wooden V-block that is set level.
- ※ Cover a V-block with soft rag.

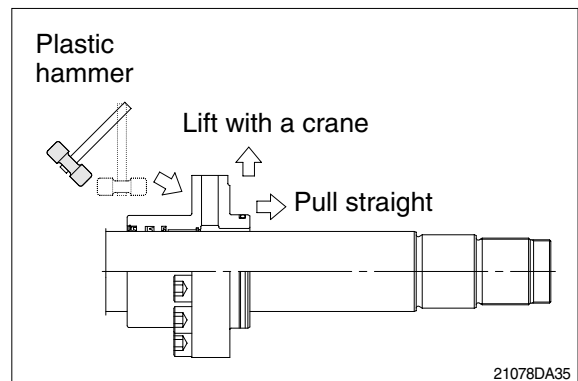


**(2) Remove piston and cylinder head**

- ① Remove lock nut(21).
- ※ Since lock nut(20) and lock washer(20) is tightened to a high torque, use a hydraulic and power wrench that utilizes a hydraulic cylinder, to remove the lock nut(21) and lock washer (20).
- ② Remove piston assembly(14), back up ring(19), and O-ring(18).

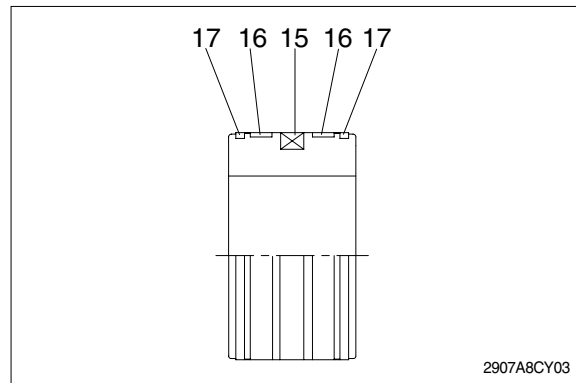


- ③ Remove the cylinder head assembly from rod assembly(2).
  - ※ If it is too heavy to move, move it by striking the flanged part of cylinder head with a plastic hammer.
  - ※ Pull it straight with cylinder head assembly lifted with a crane.
- Exercise care so as not to damage the lip of rod bushing(4) and packing (5,6,7,8,9,10) by the threads of rod assembly(2).



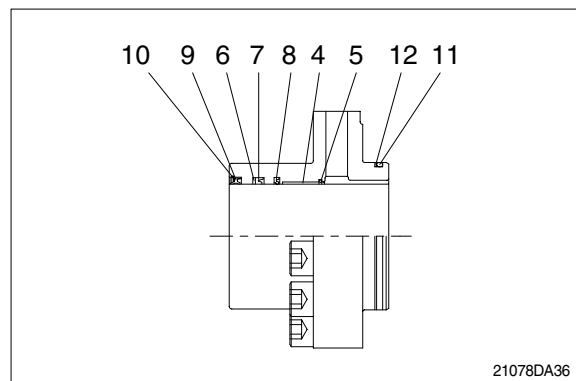
### (3) Disassemble the piston assembly

- ① Remove wear ring(16).
  - ② Remove dust ring(17) and piston seal (15).
- ※ Exercise care in this operation not to damage the grooves.



### (4) Disassemble cylinder head assembly

- ① Remove back up ring(12) and O-ring (11).
  - ② Remove snap ring(10), dust wiper(9).
  - ③ Remove back up ring(7), rod seal(6) and buffer ring(8).
- ※ Exercise care in this operation not to damage the grooves.
- ※ Do not remove seal and ring, if does not damaged.

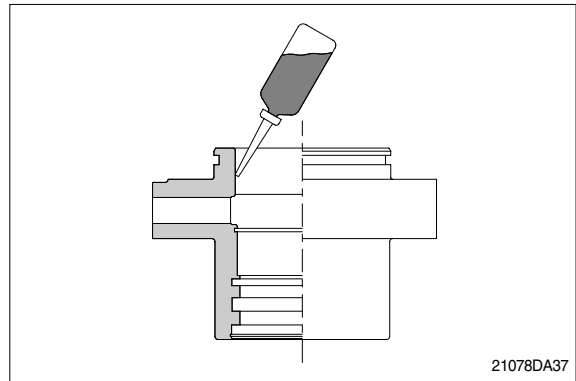


### 3) ASSEMBLY

#### (1) Assemble cylinder head assembly

※ Check for scratches or rough surfaces if found smooth with an oil stone.

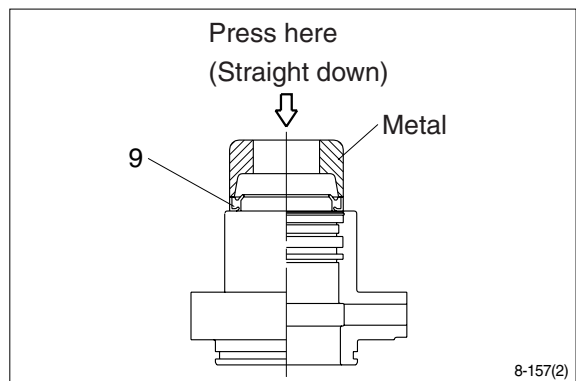
- ① Coat the inner face of gland(3) with hydraulic oil.



- ② Coat dust wiper(9) with grease and fit dust wiper(9) to the bottom of the hole of dust seal.

At this time, press a pad metal to the metal ring of dust seal.

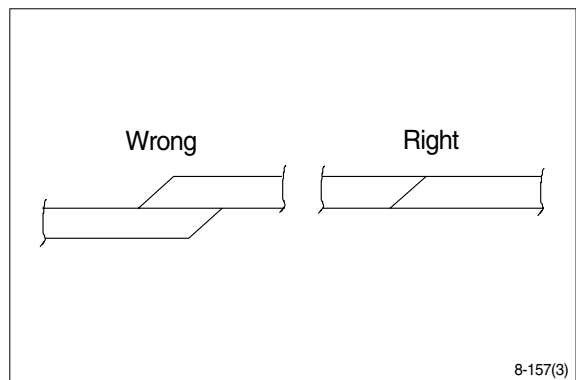
- ③ Fit snap ring(10) to the stop face.



- ④ Fit back up ring(7), rod seal(6) and buffer ring(8) to corresponding grooves, in that order.

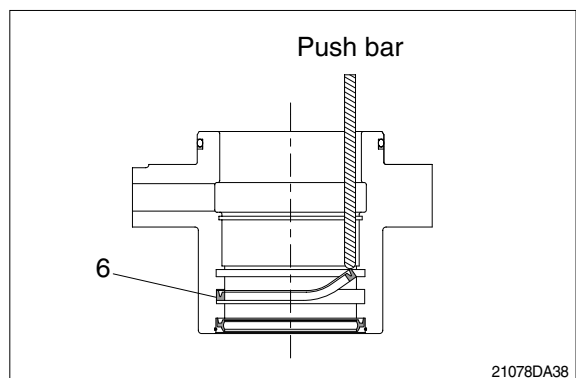
※ Coat each packing with hydraulic oil before fitting it.

※ Insert the backup ring until one side of it is inserted into groove.

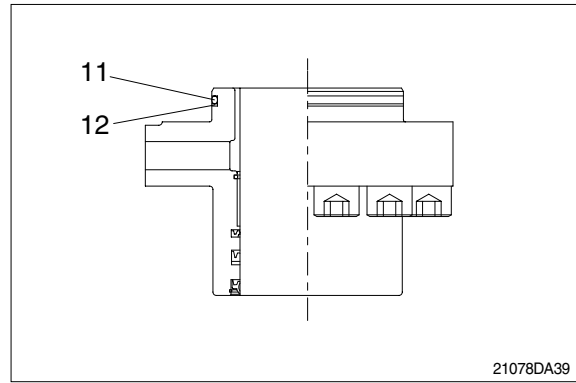


※ Rod seal(6) has its own fitting direction. Therefore, confirm it before fitting them.

※ Fitting rod seal(6) upside down may damage its lip. Therefore check the correct direction that is shown in fig.

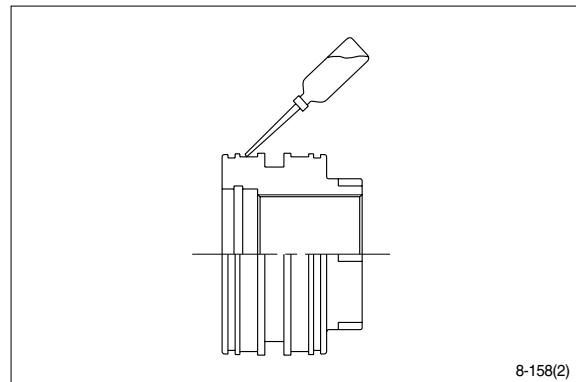


- ⑤ Fit back up ring(12) to gland(3).
- ※ Put the backup ring in the warm water of 30~50°C.
- ⑥ Fit O-ring(11) to gland(3).

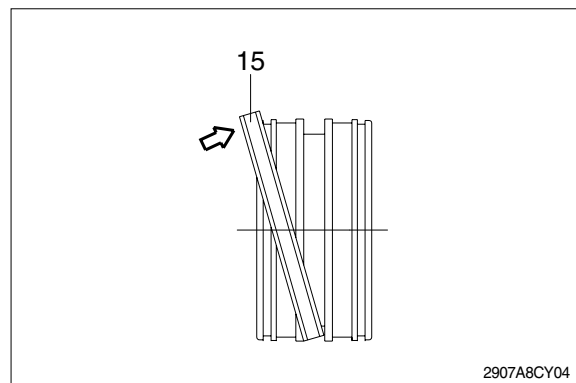


**(2) Assemble piston assembly**

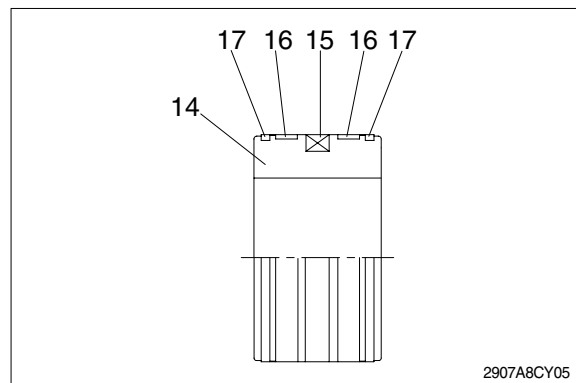
- ※ Check for scratches or rough surfaces.  
If found smooth with an oil stone.
- ① Coat the outer face of piston(14) with hydraulic oil.



- ② Fit piston seal(15) to piston.
- ※ Put the piston seal in the warm water of 60~100°C for more than 5 minutes.
- ※ After assembling the piston seal, press its outer diameter to fit in.

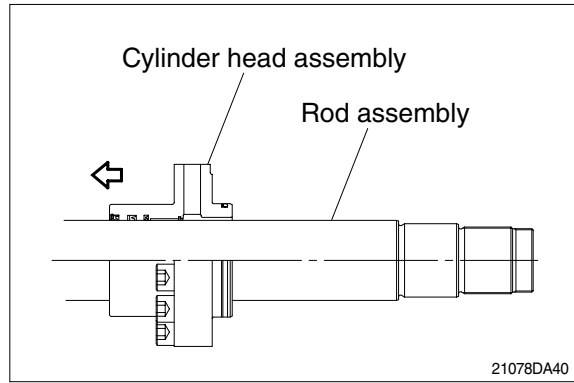


- ③ Fit wear ring(16) and dust ring(17) to piston(14).

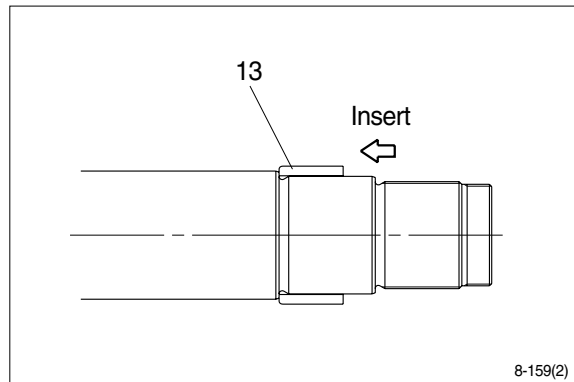


**(3) Install piston and cylinder head**

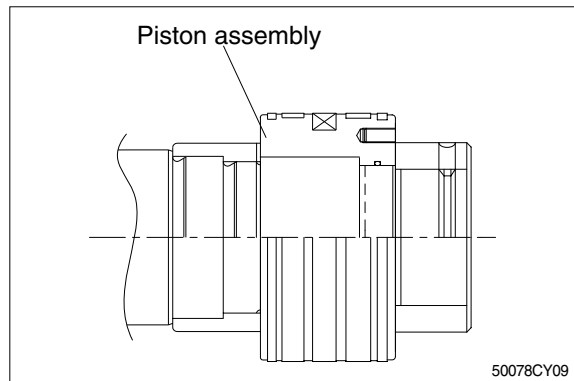
- ① Fix the rod assembly to the work bench.
- ② Apply hydraulic oil to the outer surface of rod assembly(2), the inner surface of piston and cylinder head.
- ③ Insert cylinder head assembly to rod assembly.



- ④ Insert cushion ring(13) to rod assembly.
- ※ Note that cushion ring(13) has a direction in which it should be fitted.

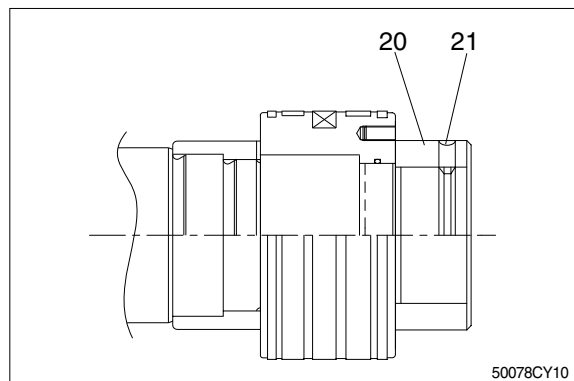


- ⑤ Fit piston assembly to rod assembly.
- Tightening torque :  $100 \pm 10.0 \text{ kgf} \cdot \text{m}$   
( $723 \pm 72.3 \text{ lbf} \cdot \text{ft}$ )



- ⑥ Fit lock nut(20) and tighten the screw(21).
- Tightening torque :

Item		kgf · m	lbf · ft
Bucket Boom Arm	20	$200 \pm 20$	$1447 \pm 145$
	21	$2.7 \pm 0.3$	$19.6 \pm 2.2$





### (3) Overall assemble

- ① Place a V-block on a rigid work bench.  
Mount the tube assembly(1) on it and fix the assembly by passing a bar through the clevis pin hole to lock the assembly.
- ② Insert the rod assembly in to the tube assembly, while lifting and moving the rod assembly with a crane.
  - \* Be careful not to damage piston seal by thread of tube assembly.
- ③ Match the bolt holes in the cylinder head flange to the tapped holes in the tube assembly and tighten socket bolts to a specified torque.
  - \* Refer to the table of tightening torque.

