

GROUP 4 CONNECTORS

1. CONNECTOR DESTINATION

Connector number	Type	No. of pin	Destination	Connector part No.	
				Female	Male
CN-1	AMP	6	l/conn(Engine harness-Frame harness)	S816-006002	S816-106002
CN-2	AMP	12	l/conn(Engine harness-Frame harness)	S816-012002	S816-112002
CN-4	AMP	8	l/conn(Frame harness-Console harness LH)	S816-008002	S816-108002
CN-5	AMP	15	l/conn(Frame harness-Side harness RH)	2-85262-1	368301-1
CN-6	AMP	12	l/conn(Frame harness-Side harness RH)	S816-012002	S816-112002
CN-7	AMP	15	l/conn(Frame harness-Console harness RH)	2-85262-1	368301-1
CN-8	AMP	12	l/conn(Frame harness-Console harness RH)	S816-012002	S816-112002
CN-9	AMP	8	l/conn(Frame harness-Console harness RH)	S816-008002	S816-108002
CN-10	DEUTSCH	12	l/conn(Frame harness-Cab harness)	DT06-12S	DT04-12P
CN-11	DEUTSCH	8	l/conn(Frame harness-Aircon harness)	DT06-8S	-
CN-12	DEUTSCH	2	l/conn(Frame harness-Boom wire harness)	DT06-2S-EP06	DT04-2P
CN-14	DEUTSCH	9	Service tool	HD10-9-96P	-
CN-15	AMP	2	Auto idle pressure	S816-002002	S816-102002
CN-16	AMP	6	Emergency engine speed control	S816-006002	S816-106002
CN-17	DEUTSCH	8	l/conn(Wiper harness)	DT06-8S	DT04-8P
CN-19	AMP	2	Emergency CPU controller	S816-002002	S816-102002
CN-20	MOLEX	2	Horn	36825-0211	-
CN-21	AMP	6	Wiper motor	925276-0	-
CN-22	KET	2	Washer pump	MG640605	-
CN-23	KET	2	Speaker-LH	MG610070	-
CN-24	KET	2	Speaker-RH	MG610070	-
CN-25	MOLEX	2	Horn	36825-0211	-
CN-27	AMP	14	Cassette radio	173852	-
CN-28	MWP	1	Aircon compressor	NMWP01F-B	-
CN-29	KET	2	Receiver dryer	MG640795	-
CN-36	DEUTSCH	3	Fuse box	21N8-20041	-
CN-45	RING-TERM	-	Start motor B ⁺	S820-414000	-
CN-47	FASTEN	2	Resistor	S810-002202	-
CN-48	AMP	2	Hour meter	GP890469	-
CN-50	AMP	36	CPU controller	3441111-1	-
CN-51	AMP	36	CPU controller	3441111-1	-
CN-55	AMP	2	l/conn(Frame harness-Travel alarm PS)	S816-002002	S816-102002
CN-56	DEUTSCH	4	Cluster	-	DT04-4P-E004
CN-60	YAZAKI	2	Fusible link	21N4-01320	7122-4125-50
CN-61	DEUTSCH	2	Fuel filler pump	DT06-2S-P01	-

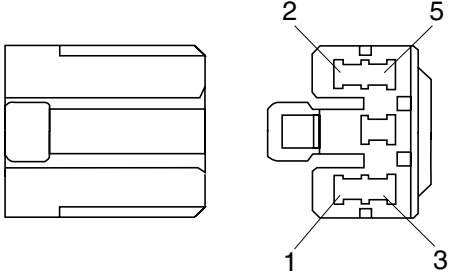
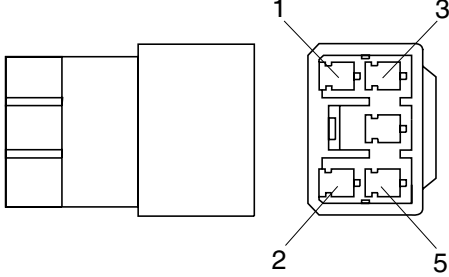
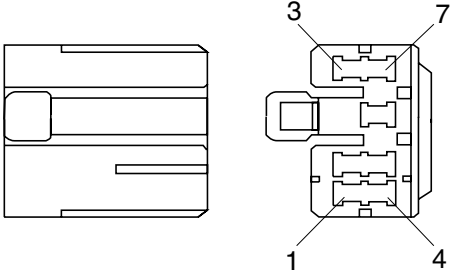
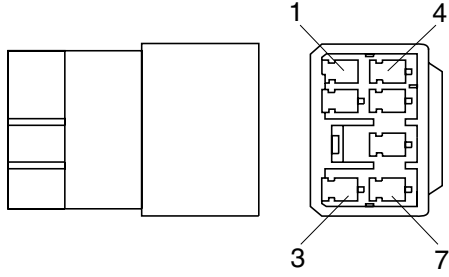
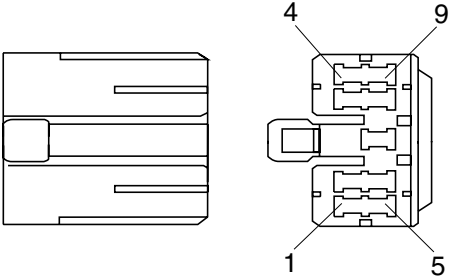
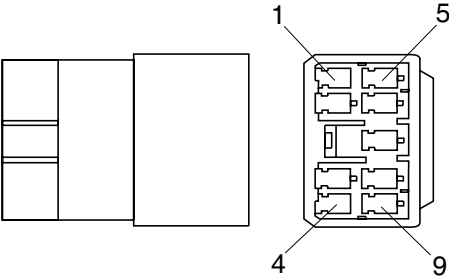
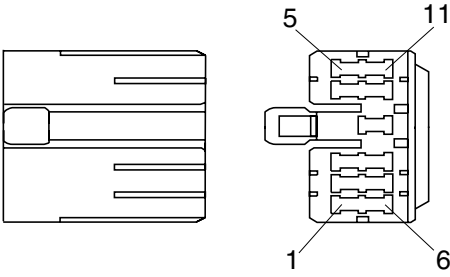
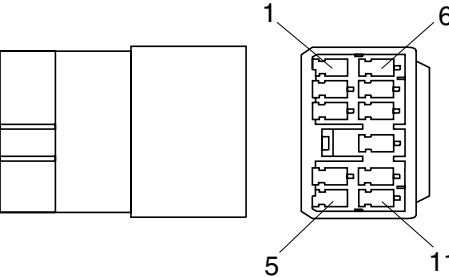
Connector number	Type	No. of pin	Destination	Connector part No.	
				Female	Male
CN-66	DEUTSCH	2	Breaker solenoid	DT06-2S-P012	DT04-2P-E004
CN-68	DEUTSCH	2	Safety solenoid	DT06-2S-P012	DT04-2P-E004
CN-70	DEUTSCH	2	Travel solenoid	DT06-2S-P012	DT04-2P-E004
CN-74	RING-TERM	-	Alternator "I" terminal	-	S820-105000
CN-75	AMP	2	EPPR valve	S816-002002	-
CN-80	RING-TERM	-	Glow plug	S820-306000	-
CN-81	DEUTSCH	2	Travel buzzer solenoid	DT06-2S-P012	DT04-2P-E004
CN-88	DEUTSCH	2	Power max solenoid	DT06-2S-P012	-
CN-92	SWF	1	Emergency engine starting connector	S814-001100	S814-101100
CN-93	DELPHI	64	ECU(J1)	15488668	-
CN-94	DELPHI	64	ECU(J2)	15488668	-
CN-95	KET	2	Fusible link	21N4-01311	S813-130200
CN-96	DELPHI	4	Fuel warmer	2-967325-3	-
CN-98	DEUTSCH	3	Resistor	DT06-3S-P012	DT04-3P-EP10
CN-99	DEUTSCH	3	Resistor	DT06-3S-P012	DT04-3P-EP10
CN-116	PA	17	Switch panel	S811-017002	-
CN-125	Econoseal J	4	GPS connector	S816-004002	S816-104002
CN-126	DEUTSCH	4	RS 232 connector	DT06-4S-P012	DT04-4P-E004
CN-133	DEUTSCH	2	Boom prioity solenoid	DT06-2S-P012	DT04-2P-E004
CN-137	DEUTSCH	2	Max flow solenoid	DT06-2S-P012	DT04-2P-E004
CN-138	DEUTSCH	3	DC/DC Converter	DT06-3S-P012	DT04-3P
CN-139	DEUTSCH	2	12V socket	-	DT04-2P-E004
CN-140	DEUTSCH	2	Quick clamp	DT06-2S-P012	DT04-2P-E004
CN-141	AMP	13	Wiper motor controller	172498-1	DT04-3P-EP10
CN-142	DEUTSCH	3	Accel dial	DT06-3S-P012	-
CN-143	KET	2	Cassette radio(With remocon)	S816-002002	-
CN-144	AMP	12	Remocon-cassette radio	174045-2	-
CN-156	AMP	2	Air seat	S816-002002	-
CN-171	DEUTSCH	40	I/conn(ECU-Engine harness)	DRC18-40SAE	-
· Relay					
CR-1	RING-TERM	-	Battery relay	-	S820-208002
CR-2	-	5	Horn relay	-	-
CR-5	-	5	Anti restart relay	-	-
CR-7	-	5	Aircon compressor relay	-	-
CR-13	-	5	Head lamp relay	-	-
CR-23	KET	2	Start relay	S814-002001	S814-102001
CR-24	RING-TERM	-	Preheat relay	S822-014000	-
CR-35	-	5	Power relay	-	-
CR-36	-	5	Preheat relay	-	-

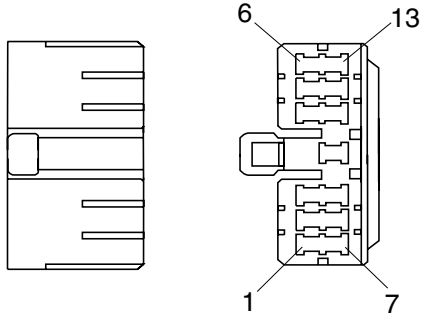
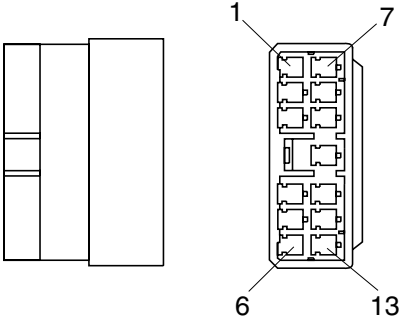
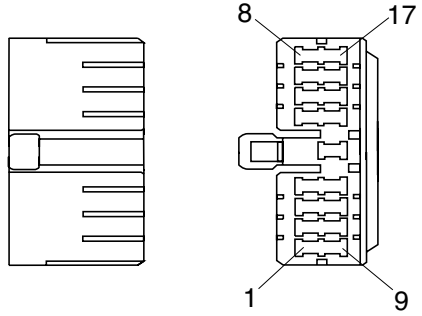
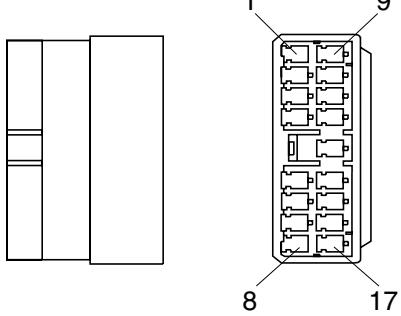
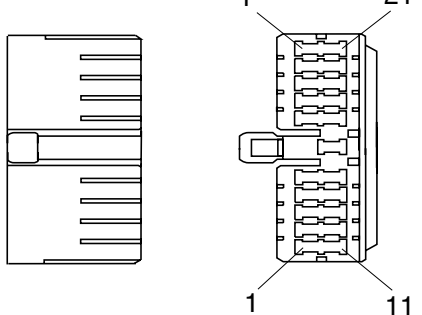
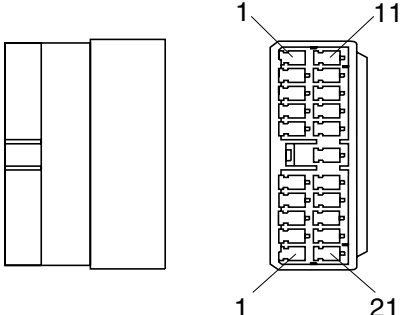
Connector number	Type	No. of pin	Destination	Connector part No.	
				Female	Male
CR-45	-	5	ECU power relay	-	-
CR-46	FASTEN	4	Fuel warmer relay	S810-004202	-
CR-62	FASTEN	4	Breaker relay	S810-004202	-
· Switch					
CS-1	SHUR	1	Door switch	S822-014004	S822-114004
CS-2	WP	6	Start key switch	S814-006000	-
CS-4	DEUTSCH	3	Safety switch	DT06-3S	-
CS-5	DEUTSCH	2	Horn switch	-	DT04-2P-E004
CS-19	DEUTSCH	2	One touch decel switch	-	DT04-2P-E004
CS-20	AMP	1	Safety switch	S822-014002	-
CS-23	SWF	10	Beacon lamp switch	SWF 593757	-
CS-26	DEUTSCH	2	Breaker switch	DT06-2S-P012	-
CS-26A	AMP	2	Breaker pedal switch	S816-002002	S816-102002
CS-27	SWF	10	Breaker switch	SWF 593757	-
CS-29	DEUTSCH	2	Power max switch	DT06-2S-P012	-
CS-50	SWF	10	Overload switch	SWF 593757	-
CS-52	SWF	10	Econo switch	SWF 593757	-
CS-53	AMP	1	Wiper cut switch	S822-014002	-
CS-54	SWF	10	Spare switch	SWF 593757	-
CS-67	SWF	10	Quick clamp switch	SWF 593757	-
CS-74	AMP	2	Master switch	S813-030201	-
CS-82	SWF	10	Heat switch	SWF 593757	-
CS-83	SWF	10	Spare switch	SWF 593757	-
CS-84	SWF	10	Fuel warmer switch	SWF 593757	-
· Light					
CL-1	KET	2	Room lamp	MG 610392	-
CL-2	AMP	1	Cigar light	S822-014002	-
CL-4	DEUTSCH	2	Head lamp	-	DT04-EP-E004
CL-5	DEUTSCH	2	Work lamp-LH	-	DT04-2P
CL-6	DEUTSCH	2	Work lamp-RH	-	DT04-2P
CL-7	SHUR	1	Beacon lamp	S822-014004	-
CL-8	DEUTSCH	2	Cab light-LH	DT04-2S	DT04-2P-E005
CL-9	DEUTSCH	2	Cab light-RH	DT04-2S	DT04-2P-E005
· Sensor, sendor					
CD-1	AMP	2	Hydraulic oil temp sender	85202-1	-
CD-2	DEUTSCH	2	Fuel sender	DT06-2S-EP06	-
CD-7	KET	2	Working pressure switch	MG640795	-
CD-10	RING-TERM	-	Air cleaner switch	-	S820-104002
CD-11	RING-TERM	2	Travel alarm pressure switch	-	-

Connector number	Type	No. of pin	Destination	Connector part No.	
				Female	Male
CD-12	KET	2	Travel alarm pressure switch	-	-
CD-13	KET	2	Travel alarm pressure switch	-	-
CD-14	KET	2	Travel alarm pressure switch	-	-
CD-16	KET	2	Water level sender	S814-002100	-
CD-42	AMP	3	Pump pressure 1	S816-003002	-
CD-43	AMP	3	Pump pressure 2	S816-003002	-
CD-44	AMP	3	Pump pressure 3	S816-003002	-

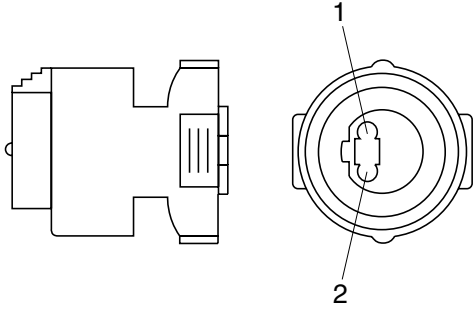
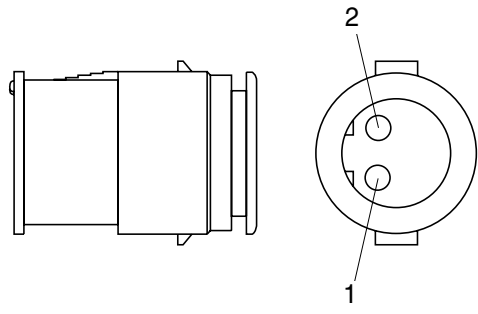
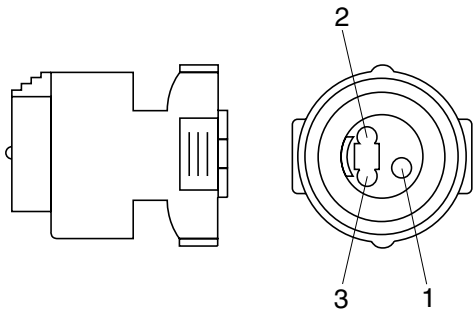
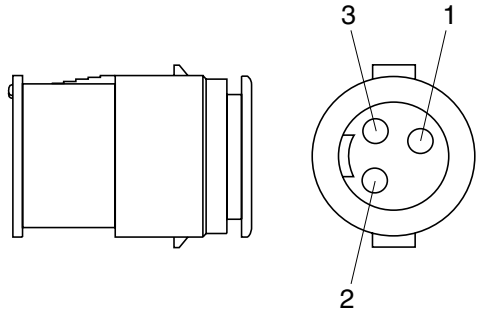
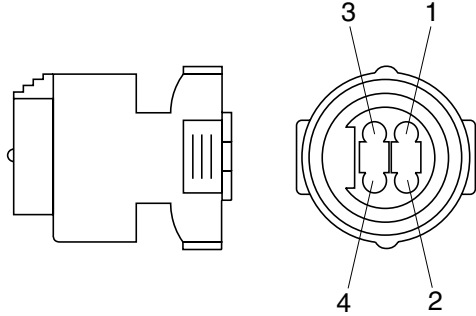
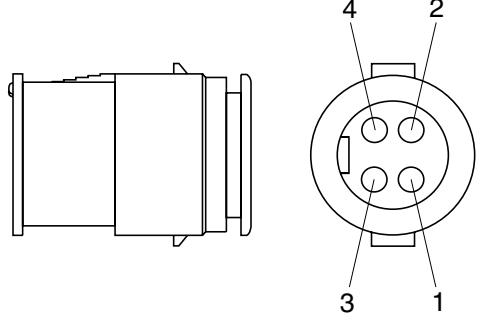
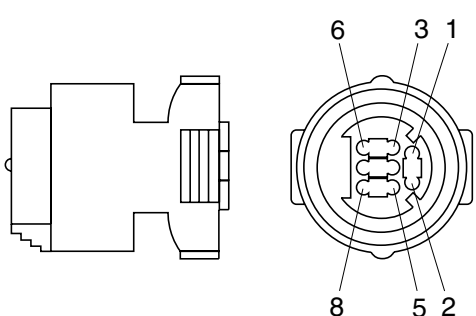
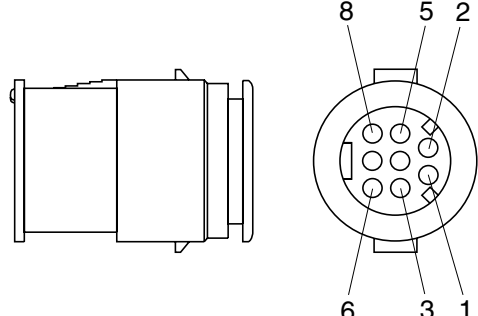
2. CONNECTION TABLE FOR CONNECTORS

1) PA TYPE CONNECTOR

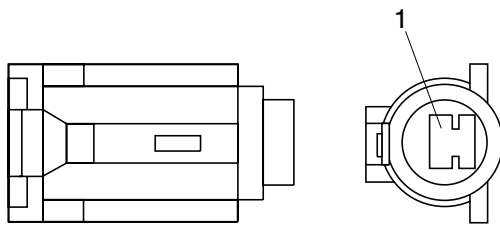
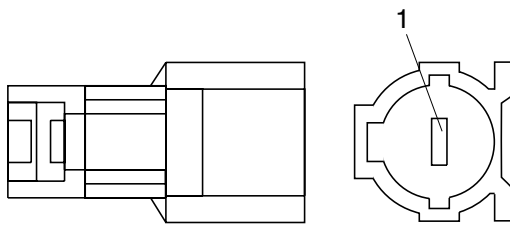
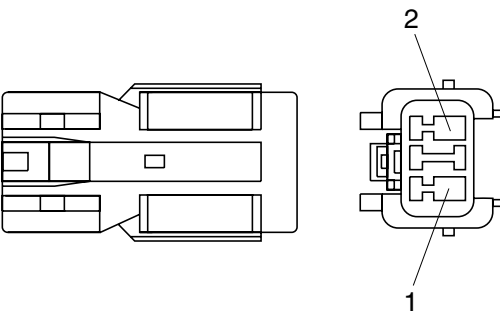
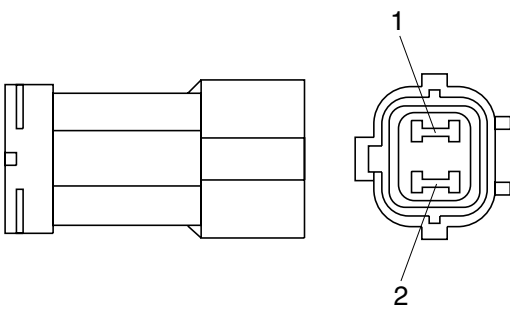
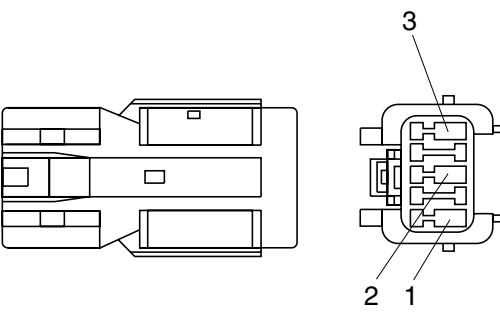
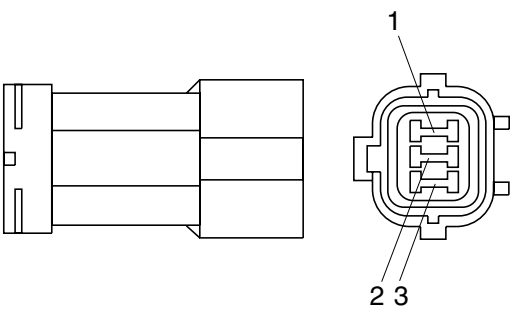
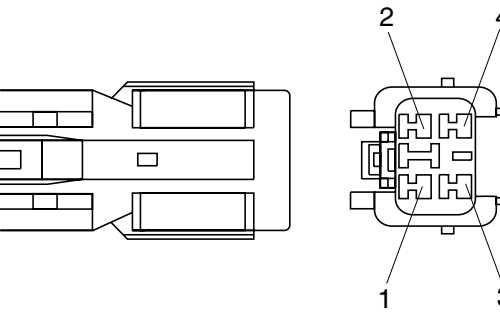
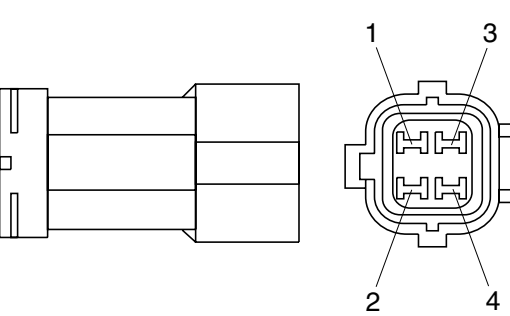
No. of pin	Receptacle connector(Female)	Plug connector(Male)
5	 <p style="text-align: center;">S811-005002</p>	 <p style="text-align: center;">S811-105002</p>
7	 <p style="text-align: center;">S811-007002</p>	 <p style="text-align: center;">S811-107002</p>
9	 <p style="text-align: center;">S811-009002</p>	 <p style="text-align: center;">3S811-109002</p>
11	 <p style="text-align: center;">S811-011002</p>	 <p style="text-align: center;">S811-111002</p>

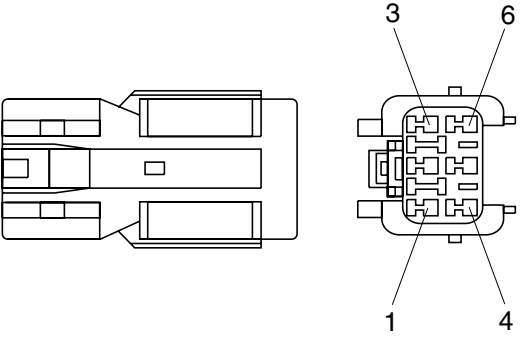
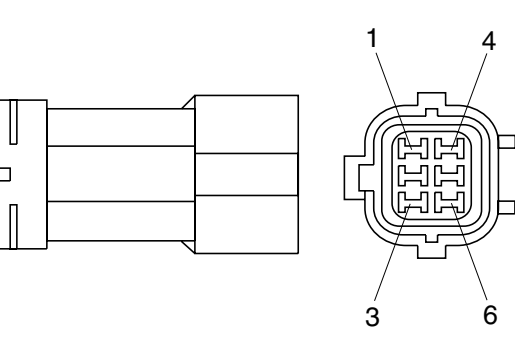
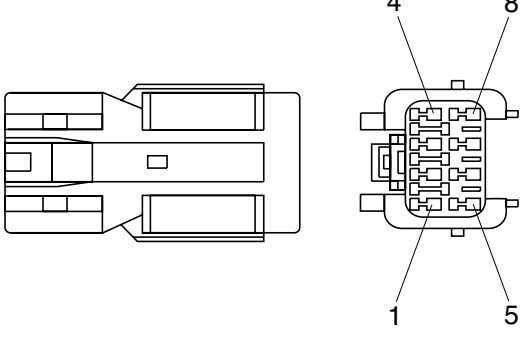
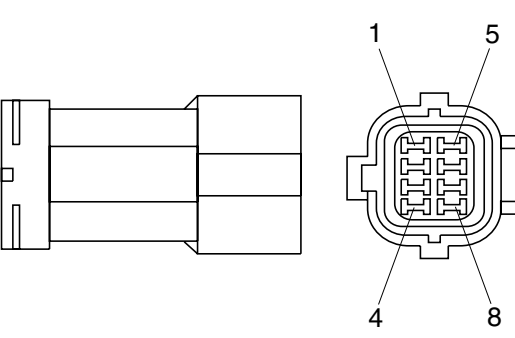
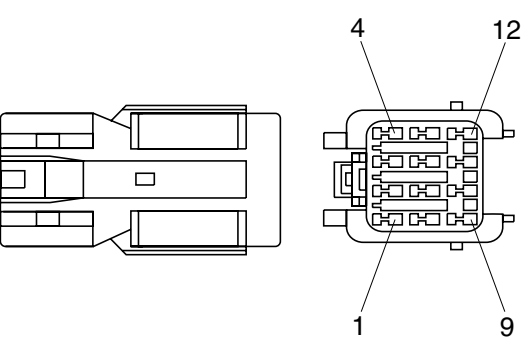
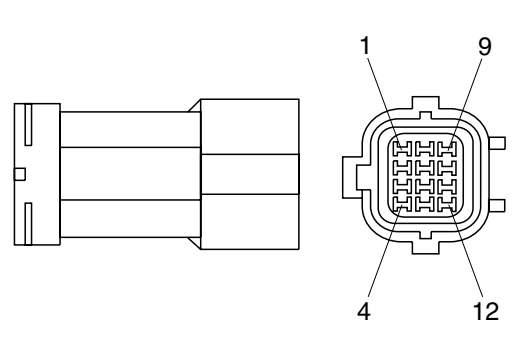
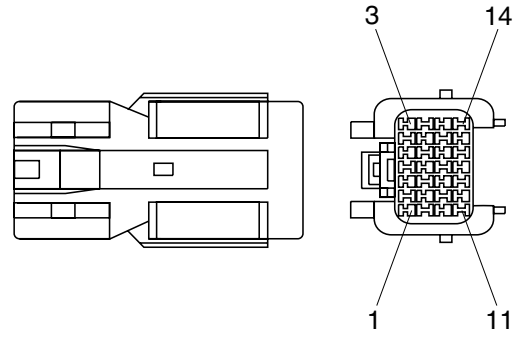
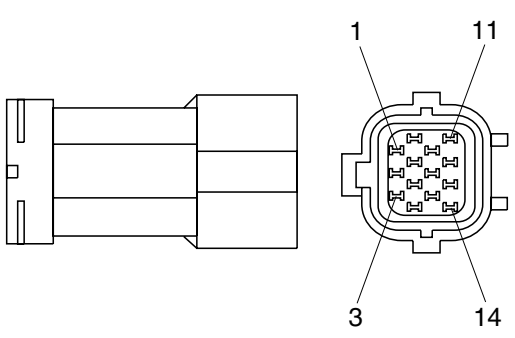
No. of pin	Receptacle connector(Female)	Plug connector(Male)
13	 <p data-bbox="691 633 839 663">S811-013002</p>	 <p data-bbox="1246 633 1394 663">S811-113002</p>
17	 <p data-bbox="691 1041 839 1070">S811-017002</p>	 <p data-bbox="1246 1041 1394 1070">S811-117002</p>
21	 <p data-bbox="691 1449 839 1478">S811-021002</p>	 <p data-bbox="1246 1449 1394 1478">S811-121002</p>

2) J TYPE CONNECTOR

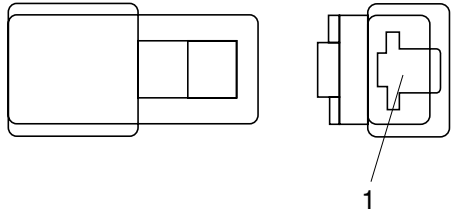
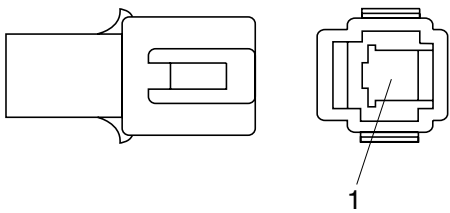
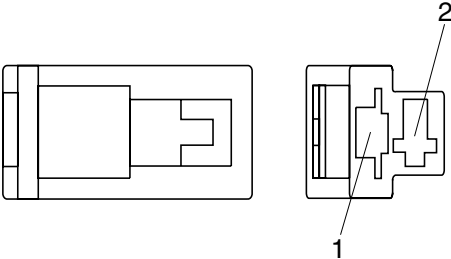
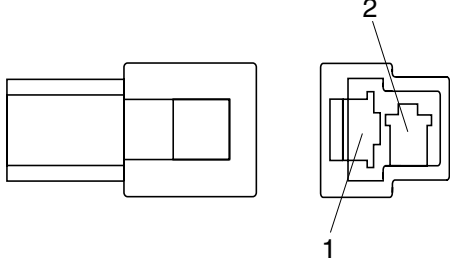
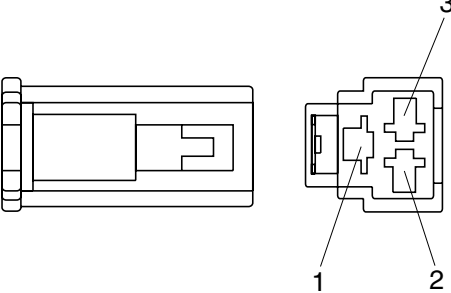
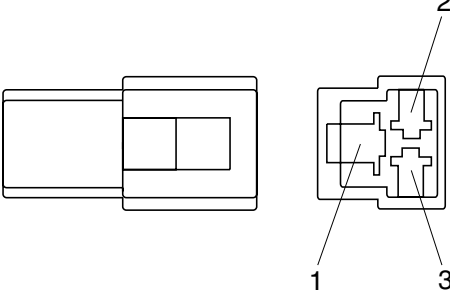
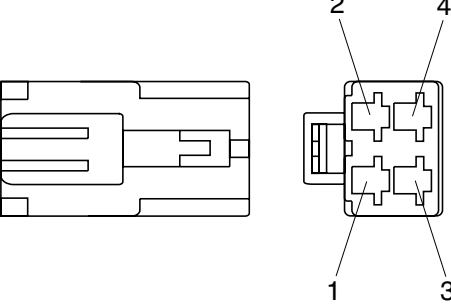
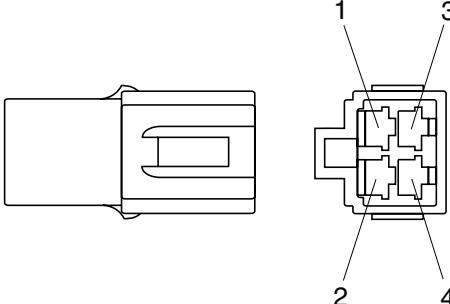
No. of pin	Receptacle connector(Female)	Plug connector(Male)
2	 <p style="text-align: center;">S816-002001</p>	 <p style="text-align: center;">S816-102001</p>
3	 <p style="text-align: center;">S816-003001</p>	 <p style="text-align: center;">S816-103001</p>
4	 <p style="text-align: center;">S816-004001</p>	 <p style="text-align: center;">S816-104001</p>
8	 <p style="text-align: center;">S816-008001</p>	 <p style="text-align: center;">S816-108001</p>

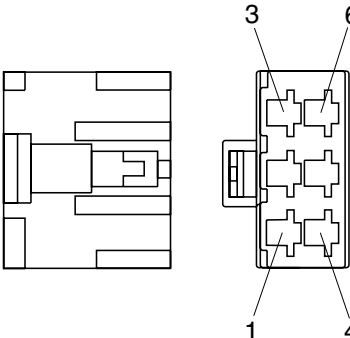
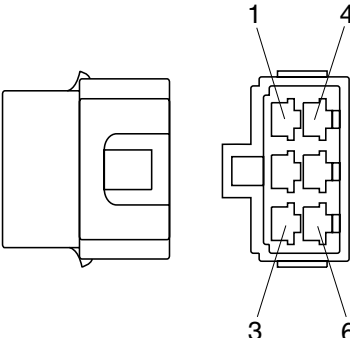
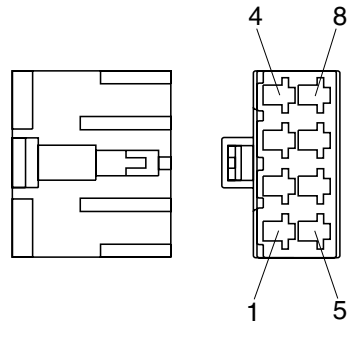
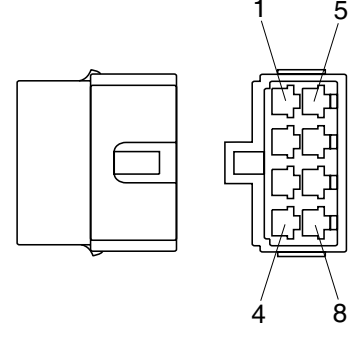
3) SWP TYPE CONNECTOR

No. of pin	Receptacle connector(Female)	Plug connector(Male)
1	 <p data-bbox="686 672 837 705">S814-001000</p>	 <p data-bbox="1244 672 1396 705">S814-101000</p>
2	 <p data-bbox="686 1075 837 1108">S814-002000</p>	 <p data-bbox="1244 1075 1396 1108">S814-102000</p>
3	 <p data-bbox="686 1478 837 1512">S814-003000</p>	 <p data-bbox="1244 1478 1396 1512">S814-103000</p>
4	 <p data-bbox="686 1881 837 1915">S814-004000</p>	 <p data-bbox="1244 1881 1396 1915">S814-104000</p>

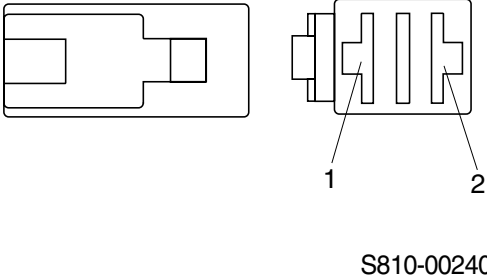
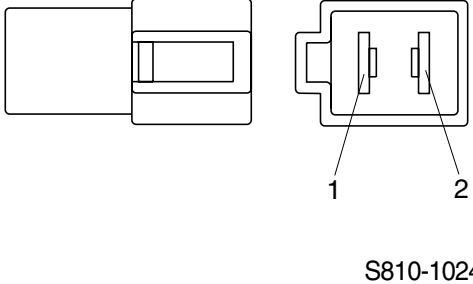
No. of pin	Receptacle connector(Female)	Plug connector(Male)
6	 <p data-bbox="686 627 837 660">S814-006000</p>	 <p data-bbox="1244 627 1396 660">S814-106000</p>
8	 <p data-bbox="686 1041 837 1075">S814-008000</p>	 <p data-bbox="1244 1041 1396 1075">S814-108000</p>
12	 <p data-bbox="686 1444 837 1478">S814-012000</p>	 <p data-bbox="1244 1444 1396 1478">S814-112000</p>
14	 <p data-bbox="686 1848 837 1881">S814-014000</p>	 <p data-bbox="1244 1848 1396 1881">S814-114000</p>

4) CN TYPE CONNECTOR

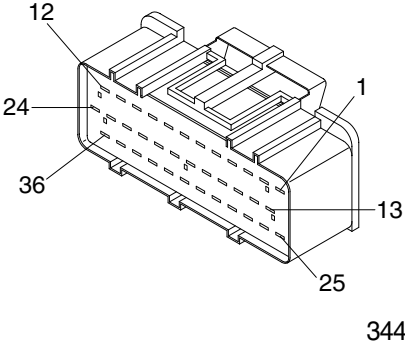
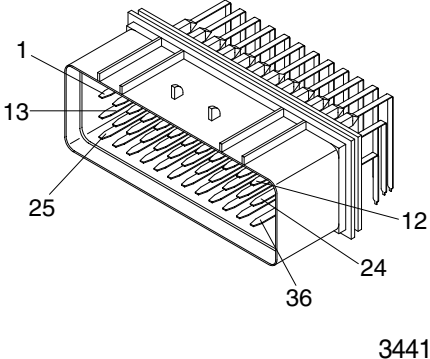
No. of pin	Receptacle connector(Female)	Plug connector(Male)
1	 <p style="text-align: center;">S810-001202</p>	 <p style="text-align: center;">S810-101202</p>
2	 <p style="text-align: center;">S810-002202</p>	 <p style="text-align: center;">S810-102202</p>
3	 <p style="text-align: center;">S810-003202</p>	 <p style="text-align: center;">S810-103202</p>
4	 <p style="text-align: center;">S810-004202</p>	 <p style="text-align: center;">S810-104202</p>

No. of pin	Receptacle connector(Female)	Plug connector(Male)
6	 <p data-bbox="686 627 837 660">S810-006202</p>	 <p data-bbox="1244 627 1396 660">S810-106202</p>
8	 <p data-bbox="686 1041 837 1075">S810-008202</p>	 <p data-bbox="1244 1041 1396 1075">S810-108202</p>

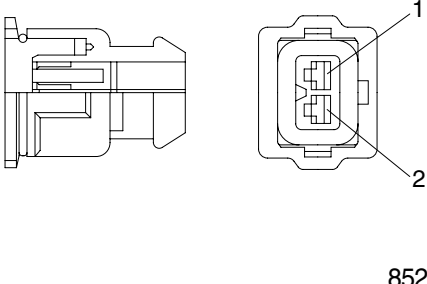
5) 375 FASTEN TYPE CONNECTOR

No. of pin	Receptacle connector(Female)	Plug connector(Male)
2	 <p style="text-align: center;">S810-002402</p>	 <p style="text-align: center;">S810-102402</p>

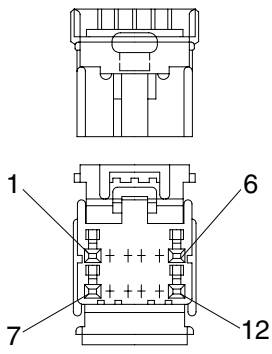
6) AMP ECONOSEAL CONNECTOR

No. of pin	Receptacle connector(Female)	Plug connector(Male)
36	 <p style="text-align: center;">344111-1</p>	 <p style="text-align: center;">344108-1</p>

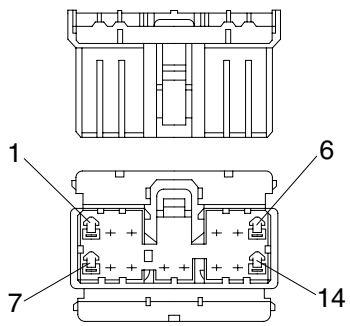
7) AMP TIMER CONNECTOR

No. of pin	Receptacle connector(Female)	Plug connector(Male)
2	 <p style="text-align: center;">85202-1</p>	

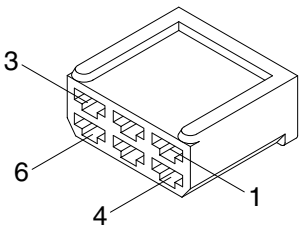
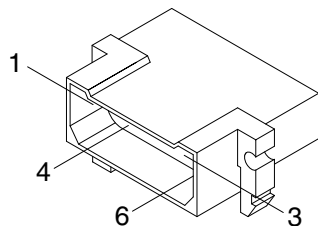
8) AMP 040 MULTILOCK CONNECTOR

No. of pin	Receptacle connector(Female)	Plug connector(Male)
12	 <p style="text-align: right;">174045-2</p>	

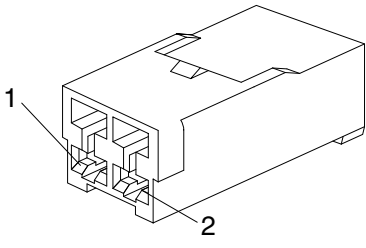
9) AMP 070 MULTILOCK CONNECTOR

No. of pin	Receptacle connector(Female)	Plug connector(Male)
14	 <p style="text-align: right;">173852</p>	

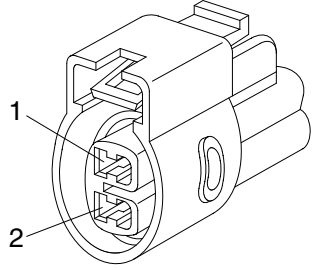
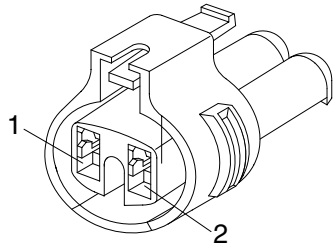
10) AMP FASTIN - FASTON CONNECTOR

No. of pin	Receptacle connector(Female)	Plug connector(Male)
6	 <p style="text-align: right;">925276-0</p>	 <p style="text-align: right;">480003-9</p>

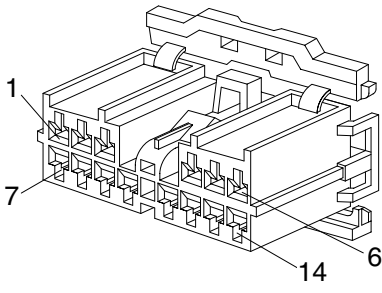
11) KET 090 CONNECTOR

No. of pin	Receptacle connector(Female)	Plug connector(Male)
2	 <p style="text-align: right;">MG610070</p>	

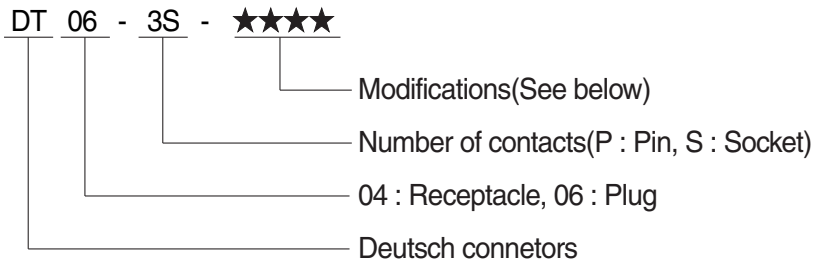
12) KET 090 WP CONNECTORS

No. of pin	Receptacle connector(Female)	Plug connector(Male)
2	 <p style="text-align: right;">MG640605</p>	
2	 <p style="text-align: right;">MG640795</p>	

13) KET SDL CONNECTOR

No. of pin	Receptacle connector(Female)	Plug connector(Male)
14	 <p style="text-align: center;">MG610406</p>	

14) DEUTSCH DT CONNECTORS



※ Modification

E003 : Standard end cap - gray

E004 : Color of connector to be black

E005 : Combination - E004 & E003

EP04 : End cap

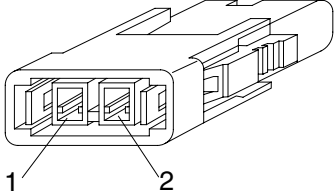
EP06 : Combination P012 & EP04

P012 : Front seal enhancement - connectors color to black for 2, 3, 4 & 6pin

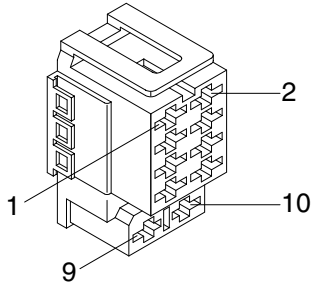
No. of pin	Receptacle connector(Female)	Plug connector(Male)
2	<p style="text-align: right;">DT06-2S</p>	<p style="text-align: right;">DT04-2P</p>
3	<p style="text-align: right;">DT06-3S</p>	<p style="text-align: right;">DT04-3P</p>
4	<p style="text-align: right;">DT06-4S</p>	<p style="text-align: right;">DT04-4P</p>

No. of pin	Receptacle connector(Female)	Plug connector(Male)
6		
8		
12		

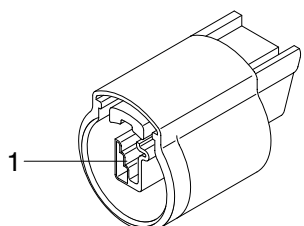
15) MOLEX 2CKTS CONNECTOR

No. of pin	Receptacle connector(Female)	Plug connector(Male)
2	 <p style="text-align: right;">35215-0200</p>	

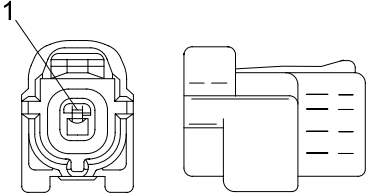
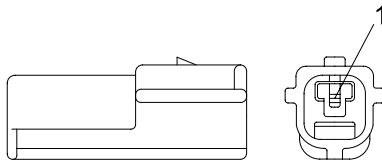
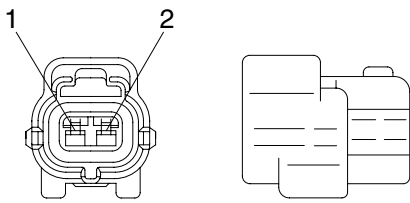
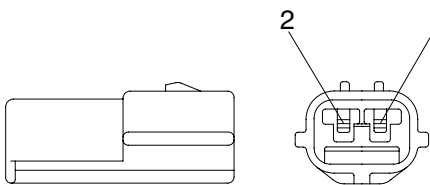
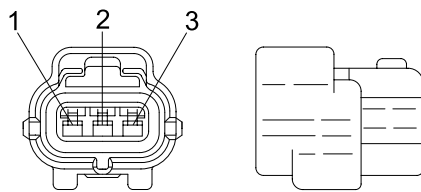
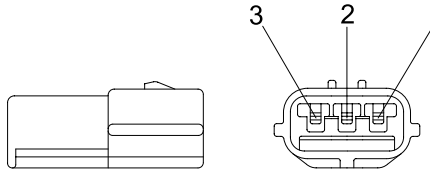
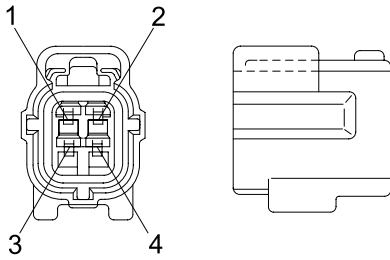
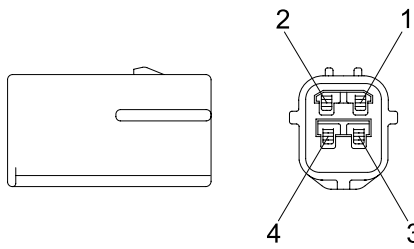
16) ITT SWF CONNECTOR

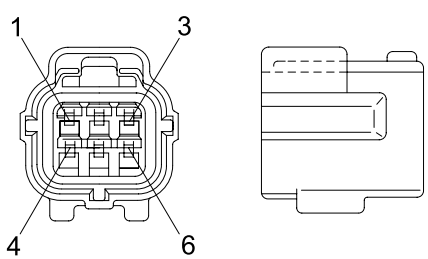
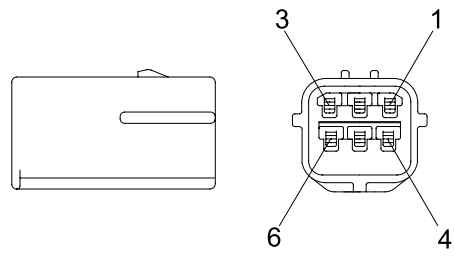
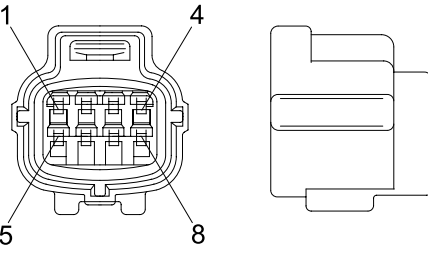
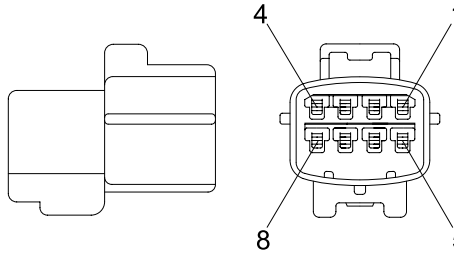
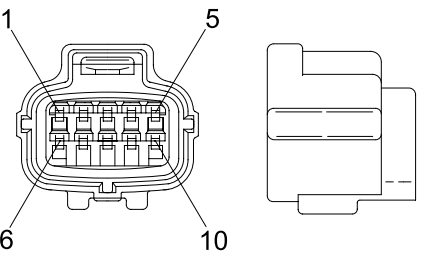
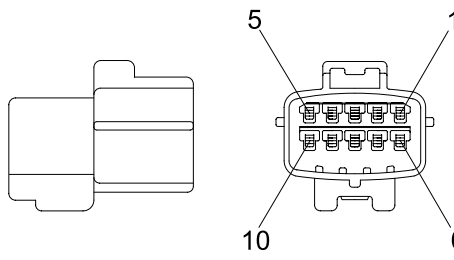
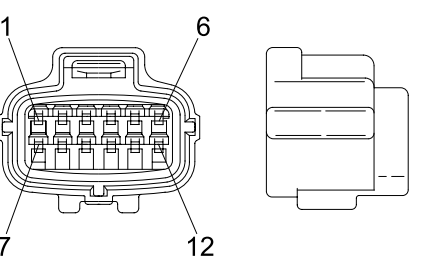
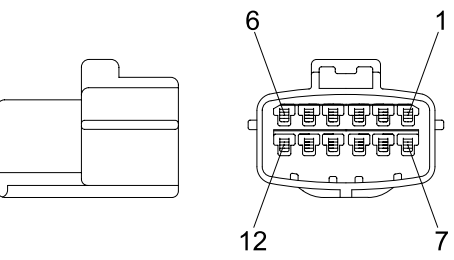
No. of pin	Receptacle connector(Female)	Plug connector(Male)
10	 <p style="text-align: right;">SWF593757</p>	

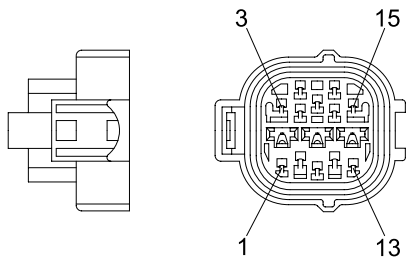
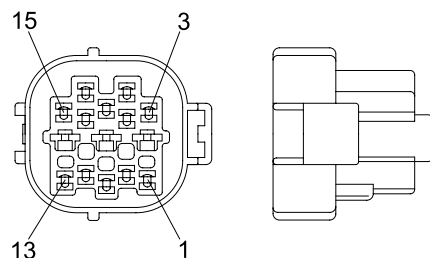
17) MWP NMWP CONNECTOR

No. of pin	Receptacle connector(Female)	Plug connector(Male)
1	 <p style="text-align: right;">NMWP01F-B</p>	

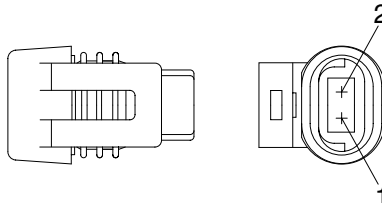
18) ECONOSEAL J TYPE CONNECTORS

No. of pin	Receptacle connector(Female)	Plug connector(Male)
1	 <p style="text-align: center;">S816-001002</p>	 <p style="text-align: center;">S816-101002</p>
2	 <p style="text-align: center;">S816-002002</p>	 <p style="text-align: center;">S816-102002</p>
3	 <p style="text-align: center;">S816-003002</p>	 <p style="text-align: center;">S816-103002</p>
4	 <p style="text-align: center;">S816-004002</p>	 <p style="text-align: center;">S816-104002</p>

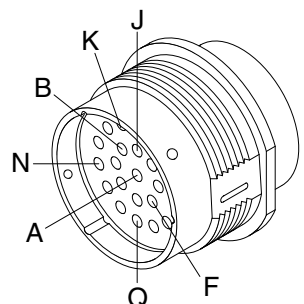
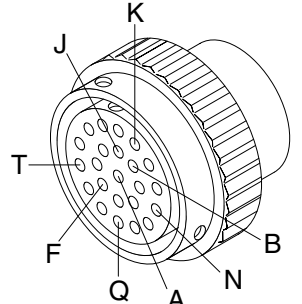
No. of pin	Receptacle connector(Female)	Plug connector(Male)
6	 <p data-bbox="686 627 837 660">S816-006002</p>	 <p data-bbox="1244 627 1396 660">S816-106002</p>
8	 <p data-bbox="686 1030 837 1064">S816-008002</p>	 <p data-bbox="1244 1030 1396 1064">S816-108002</p>
10	 <p data-bbox="686 1433 837 1467">S816-010002</p>	 <p data-bbox="1244 1433 1396 1467">S816-110002</p>
12	 <p data-bbox="686 1836 837 1870">S816-012002</p>	 <p data-bbox="1244 1836 1396 1870">S816-112002</p>

No. of pin	Receptacle connector(Female)	Plug connector(Male)
15	 <p style="text-align: center;">368301-1</p>	 <p style="text-align: center;">2-85262-1</p>

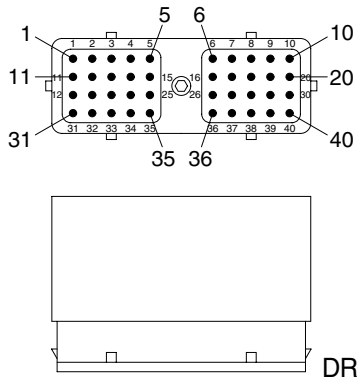
19) METRI-PACK TYPE CONNECTOR

No. of pin	Receptacle connector(Female)	Plug connector(Male)
2	 <p style="text-align: center;">12040753</p>	

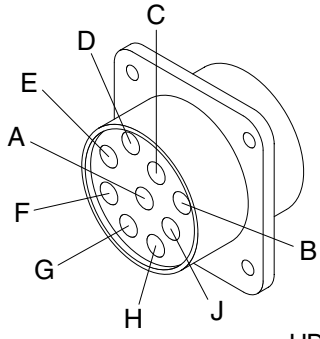
20) DEUTSCH HD30 CONNECTOR

No. of pin	Receptacle connector(Female)	Plug connector(Male)
23	 <p style="text-align: center;">HD36-24-23SN</p>	 <p style="text-align: center;">HD34-24-23PN</p>

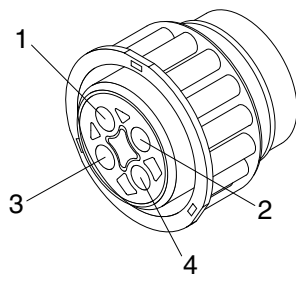
21) DEUTSCH DRC CONNECTOR

No. of pin	Receptacle connector(Female)	Plug connector(Male)
40	 <p style="text-align: right;">DRC18-40SAE</p>	

22) DEUTSCH SERVICE TOOL CONNECTOR

No. of pin	Receptacle connector(Female)	Plug connector(Male)
9	 <p style="text-align: right;">HD10-9-96P</p>	

23) DELPHI CONNECTOR

No. of pin	Receptacle connector(Female)	Plug connector(Male)
4	 <p style="text-align: right;">2-967325-3</p>	

24) DEUTSCH SERVICE TOOL CONNECTOR

No. of pin	Receptacle connector(Female)	Plug connector(Male)
64	