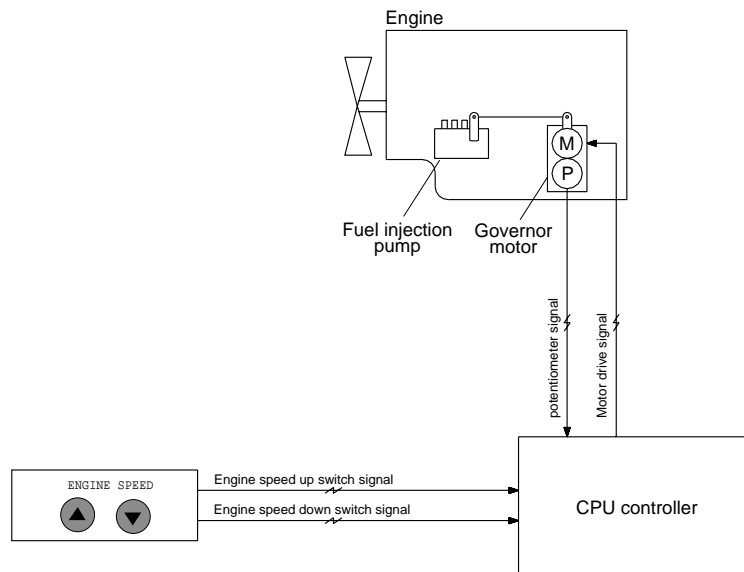


## GROUP 4 ENGINE SPEED UP/DOWN FUNCTION



### 1. FUNCTION

Increasing(speed up) or decreasing(speed down) is possible by touching the engine speed up switch or the engine speed down switch on the cluster.

When one of them is touched, CPU controller receives the signal and moves the engine governor motor lever to high or low position a little bit.

### 2. LOGIC TABLE

Description	Engine speed UP/DOWN switch	
	ON	OFF
Signal	Low	High
Voltage(V)	0 (GND)	5