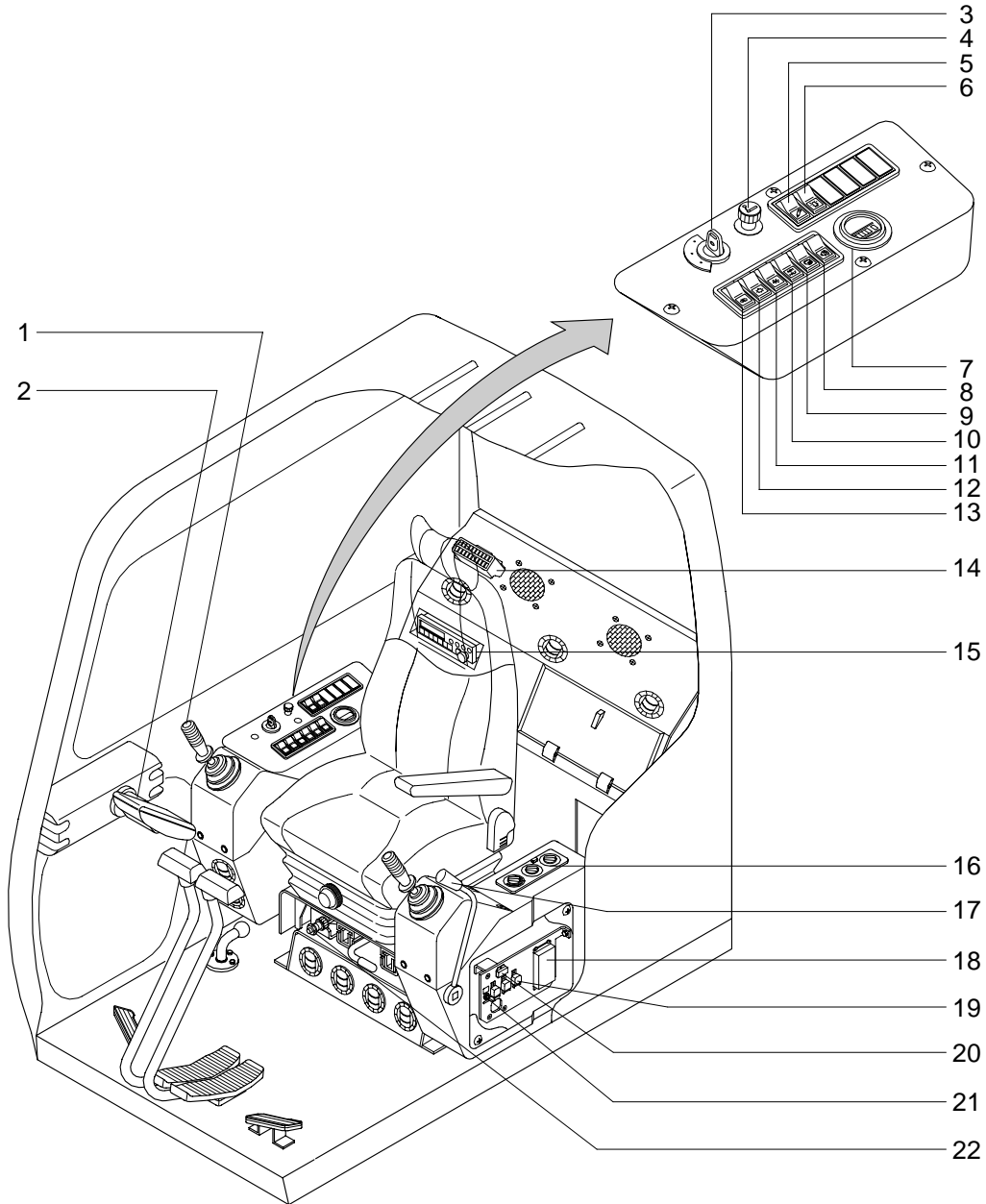


# SECTION 4 ELECTRICAL SYSTEM

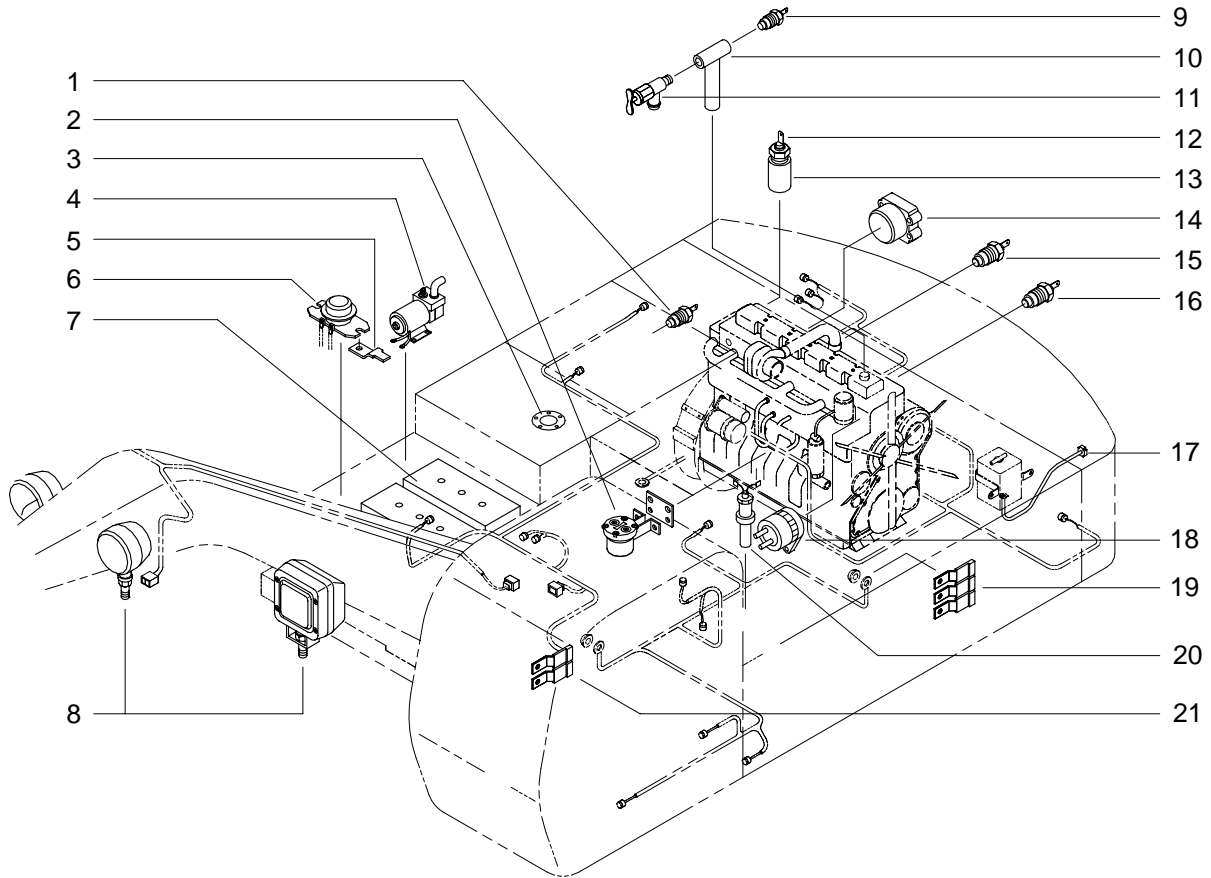
## GROUP 1 COMPONENT LOCATION

### 1. LOCATION 1



- |   |                             |    |                           |    |                                     |
|---|-----------------------------|----|---------------------------|----|-------------------------------------|
| 1 | Horn switch                 | 9  | Cold start switch(option) | 17 | Safety lever                        |
| 2 | Cluster                     | 10 | Arm half switch           | 18 | CPU controller                      |
| 3 | Starting switch             | 11 | Aircon switch             | 19 | Relay                               |
| 4 | Cigar lighter switch        | 12 | Main light switch         | 20 | Resistor                            |
| 5 | Breaker switch(option)      | 13 | Wiper & washer switch     | 21 | Prolix switch                       |
| 6 | Beacon switch(option)       | 14 | Fuse box                  | 22 | Emergency engine acceleration lever |
| 7 | Service meter               | 15 | Cassette & radio          |    |                                     |
| 8 | Travel alarm switch(option) | 16 | Aircon & heater switch    |    |                                     |

## 2. LOCATION 2



- |   |                    |    |                              |    |                            |
|---|--------------------|----|------------------------------|----|----------------------------|
| 1 | Temperature sensor | 8  | Light                        | 15 | Engine speed sensor        |
| 2 | Start relay        | 9  | Hydraulic temperature sensor | 16 | Engine oil pressure switch |
| 3 | Fuel sensor        | 10 | Heater adapter               | 17 | Coolant level sensor       |
| 4 | Fuel filler pump   | 11 | Heater valve                 | 18 | Alternator                 |
| 5 | Connector plate    | 12 | Over heat switch             | 19 | Connector plate            |
| 6 | Battery relay      | 13 | Adapter                      | 20 | Air cleaner switch         |
| 7 | Battery            | 14 | Governor motor               | 21 | Connector plate            |