

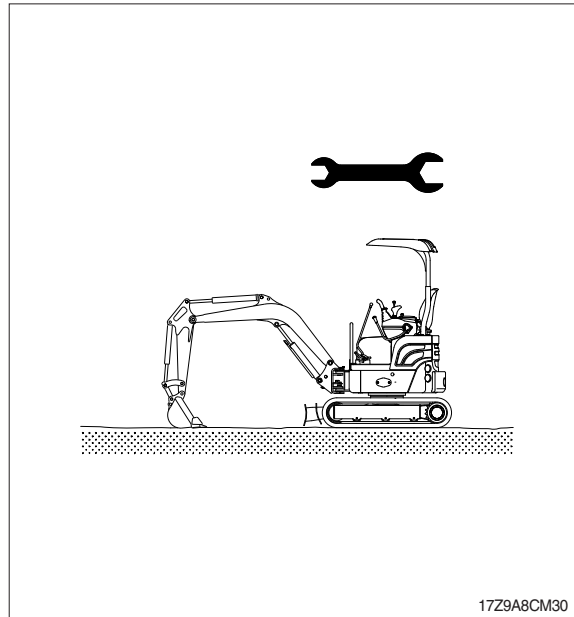
SECTION 8 COMPONENT MOUNTING TORQUE

Group 1	Introduction guide	8-1
Group 2	Engine system	8-2
Group 3	Electric system	8-4
Group 4	Hydraulic system	8-5
Group 5	Undercarriage	8-7
Group 6	Structure	8-8
Group 7	Work equipment	8-10

SECTION 8 COMPONENT MOUNTING TORQUE

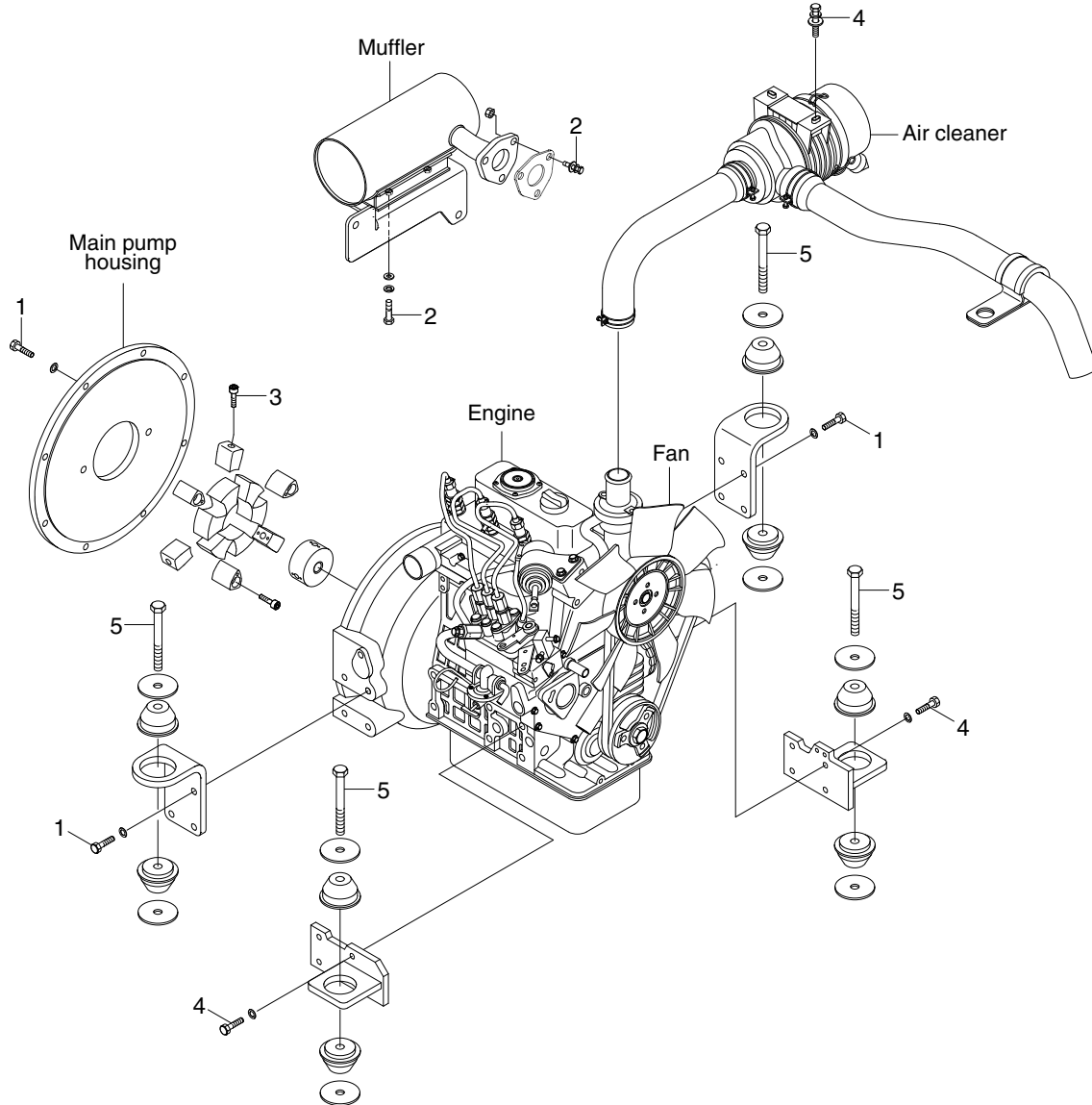
GROUP 1 INTRODUCTION GUIDE

1. This section shows bolt specifications and standard torque values needed when mounting components to the machine.
 2. Use genuine Hyundai spare parts.
We expressly point out that Hyundai will not accept any responsibility for defects resulted from non-genuine parts.
In such cases Hyundai cannot assume liability for any damage.
- ※ **Only metric fasteners can be used and incorrect fasteners may result in machine damage or malfunction.**
 - ※ **Before installation, clean all the components with a non-corrosive cleaner. Bolts and threads must not be worn or damaged.**



GROUP 2 ENGINE SYSTEM

1. ENGINE AND ACCESSORIES MOUNTING



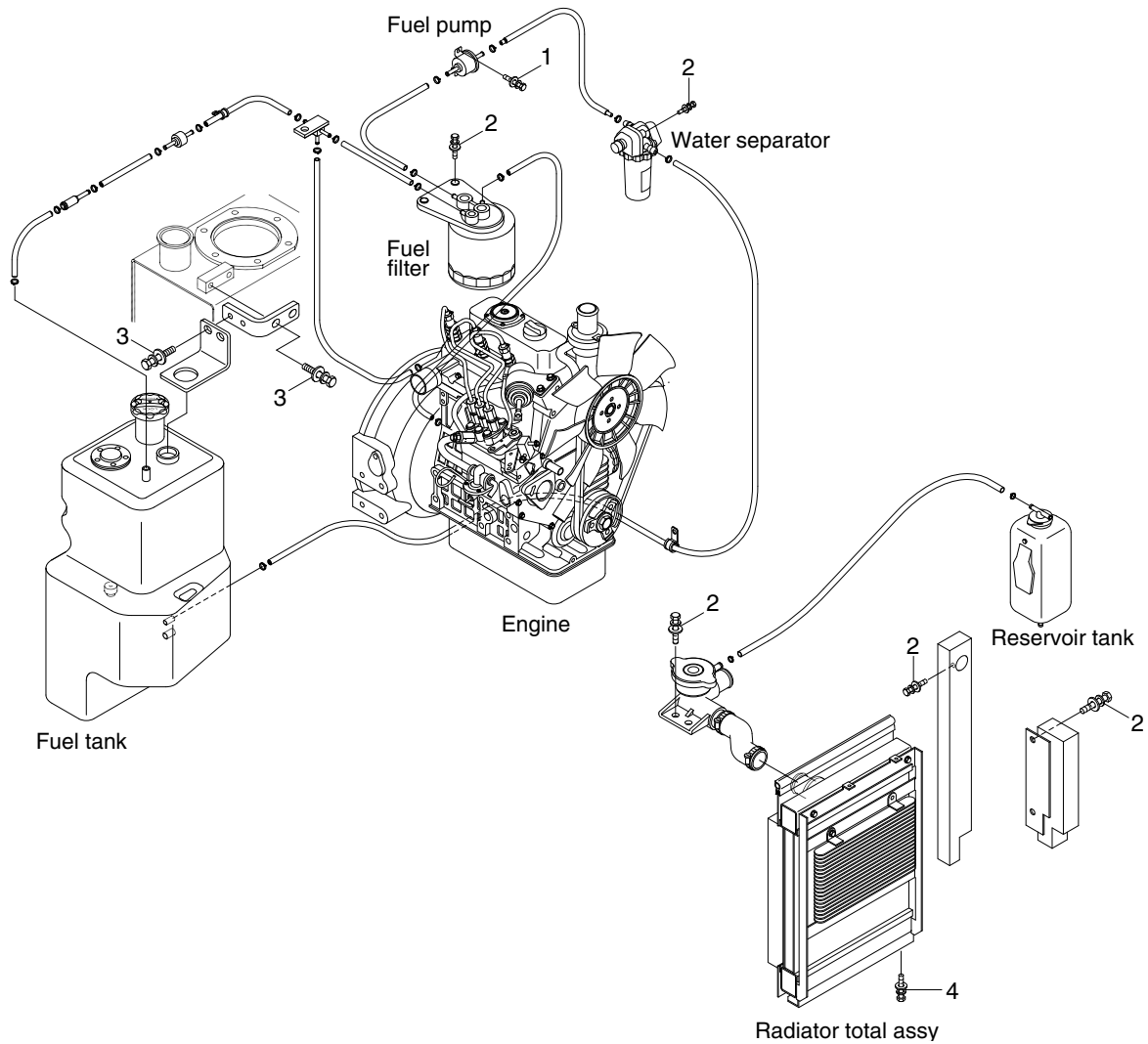
17Z9A8CM01

· Tightening torque

Item	Size	kgf · m	lbf · ft
1	M 6×1.0	1.05±0.2	7.6±1.45
2	M 8×1.25	2.5±0.5	18.1±3.6
3	M10×1.5	5.2±0.3	37.6±2.2

Item	Size	kgf · m	lbf · ft
4	M10×1.25	7.4±1.5	53.5±11.0
5	M12×1.75	12.3±1.5	88.9±11.0

2. COOLING SYSTEM AND FUEL TANK MOUNTING



17Z9A8CM02

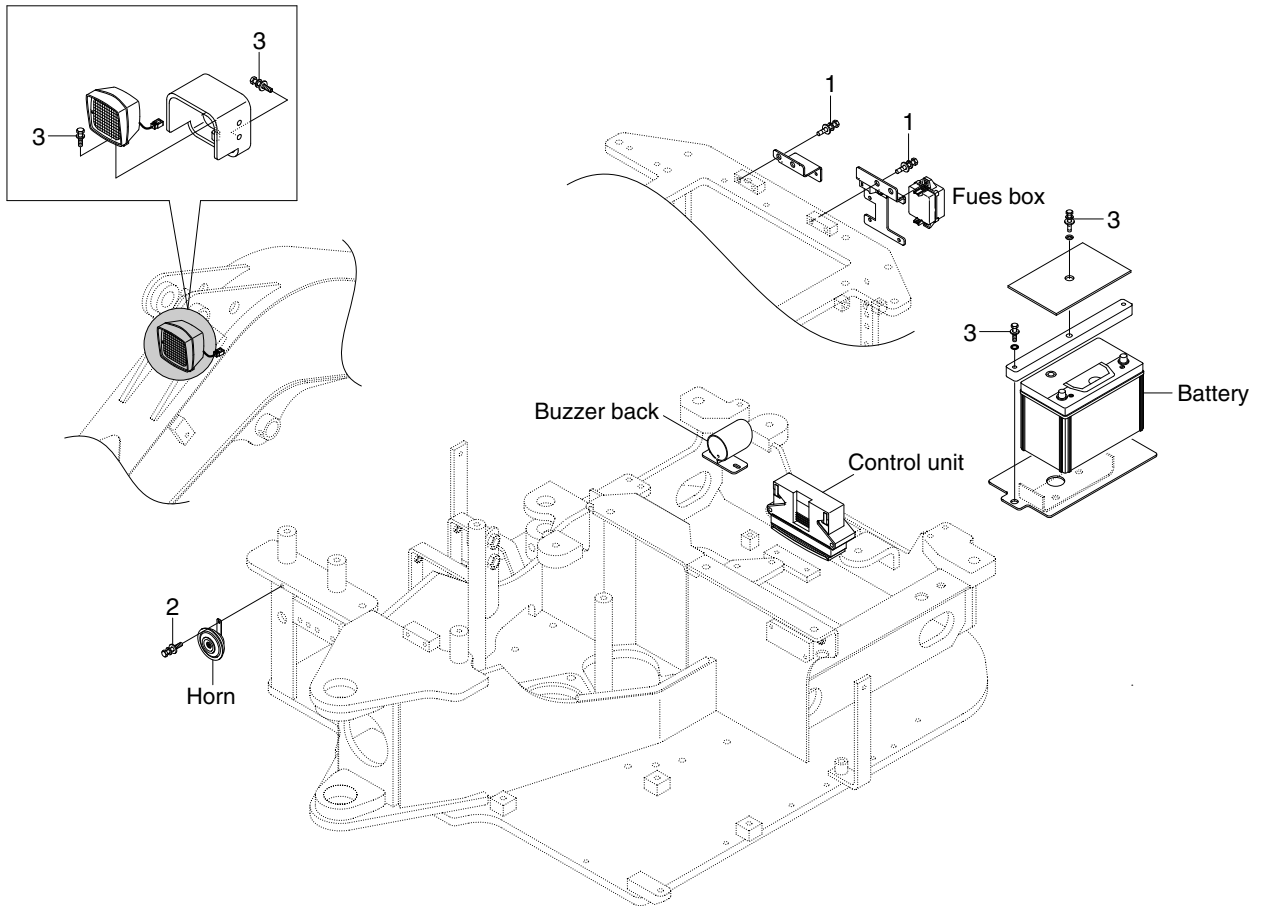
· Tightening torque

Item	Size	kgf · m	lbf · ft
1	M 6×1.0	1.05±0.2	7.6±1.45
2	M 8×1.25	2.5±0.5	18.1±3.6

Item	Size	kgf · m	lbf · ft
3	M 10×1.5	6.9±1.4	49.9±10.1
4	M 12×1.75	12.8±3.0	92.6±21.7

GROUP 3 ELECTRIC SYSTEM

1. ELECTRIC COMPONENTS MOUNTING



17Z9A8CM03

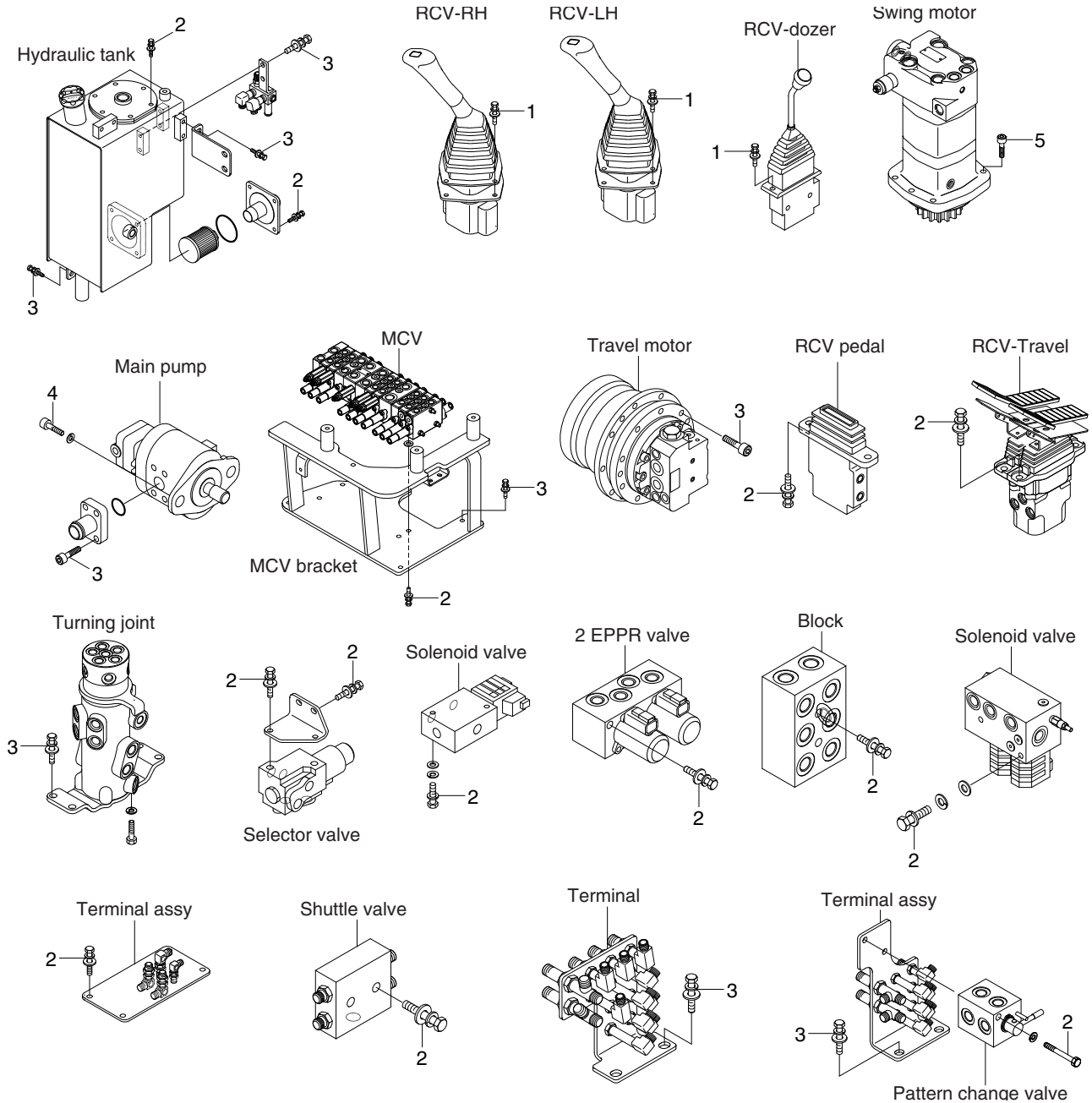
• Tightening torque

Item	Size	kgf · m	lbf · ft
1	M 6×1.0	1.05±0.2	7.6±1.45
2	M 8×1.25	2.5±0.5	18.1±3.6

Item	Size	kgf · m	lbf · ft
3	M10×1.5	6.9±1.4	49.9±10.1

GROUP 4 HYDRAULIC SYSTEM

1. HYDRAULIC COMPONENTS MOUNTING 1



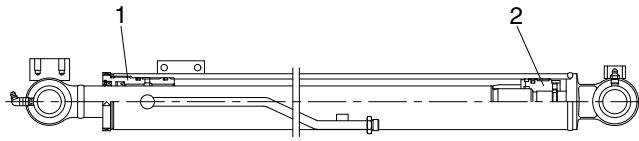
17Z9A8CM05

· Tightening torque

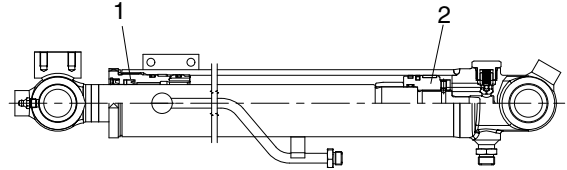
Item	Size	kgf · m	lbf · ft
1	M 6×1.0	1.05±0.2	7.6±1.45
2	M 8×1.25	2.5±0.5	18.1±3.6
3	M10×1.5	6.9±1.4	49.9±10.1

Item	Size	kgf · m	lbf · ft
4	M12×1.75	12.8±3.0	93±22.0
5	M14×2.0	21	152

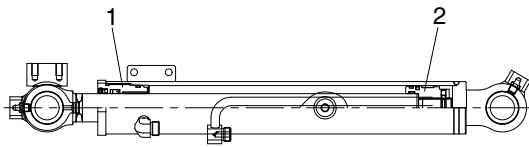
2. HYDRAULIC COMPONENTS MOUNTING 2



Boom cylinder



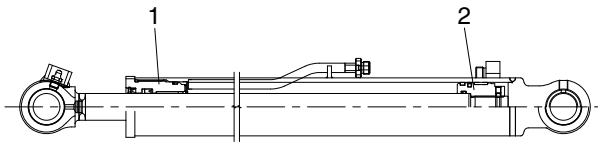
Arm cylinder



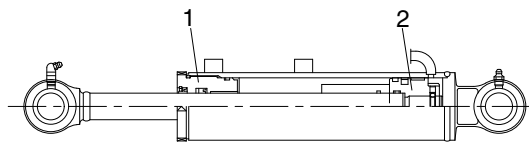
Bucket cylinder



Extension cylinder



Boom swing cylinder



Blade cylinder

17Z9A8CM07

• Tightening torque

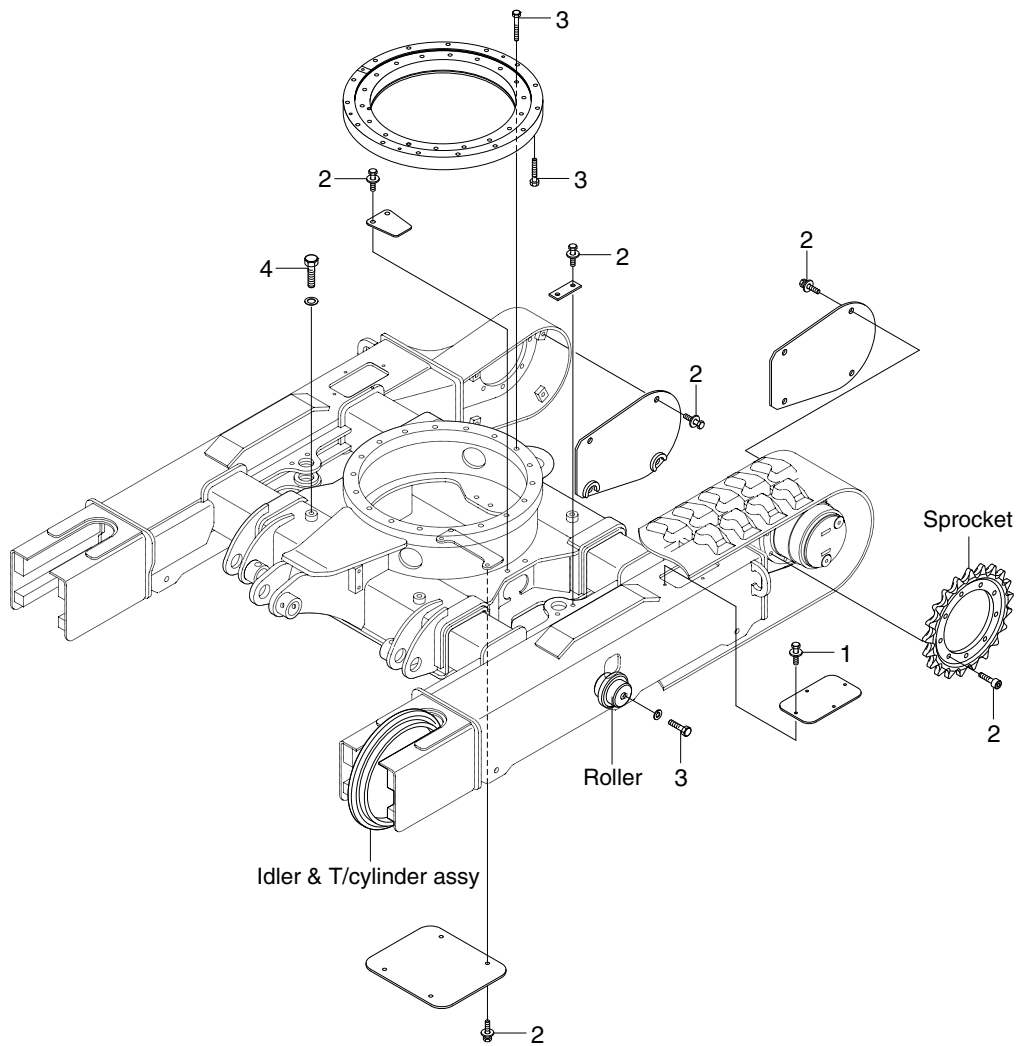
1) Gland

Item	Size	kgf · m	lbf · ft
Boom cylinder	M65	52 ± 5.0	376 ± 36.2
Arm cylinder	M65	52 ± 5.0	376 ± 36.2
Bucket cylinder	M60	48 ± 5.0	347 ± 36.2
Dozer cylinder	M70	56 ± 5.0	405 ± 36.2
Boom swing cylinder	M60	48 ± 4.8	347 ± 34.7
Extension cylinder	M60	48 ± 4.8	347 ± 34.7

2) Piston

Item	Size	kgf · m	lbf · ft
Boom cylinder	M28	70 ± 7.0	506 ± 50.6
Arm cylinder	M28	70 ± 7.0	506 ± 50.6
Bucket cylinder	M24	60 ± 6.0	434 ± 43.4
Dozer cylinder	M24	60 ± 6.0	434 ± 43.4
Boom swing cylinder	M24	60 ± 6.0	434 ± 43.4
Extension cylinder	M24	60 ± 6.0	434 ± 43.4

GROUP 5 UNDERCARRIAGE



17Z9A8CM08

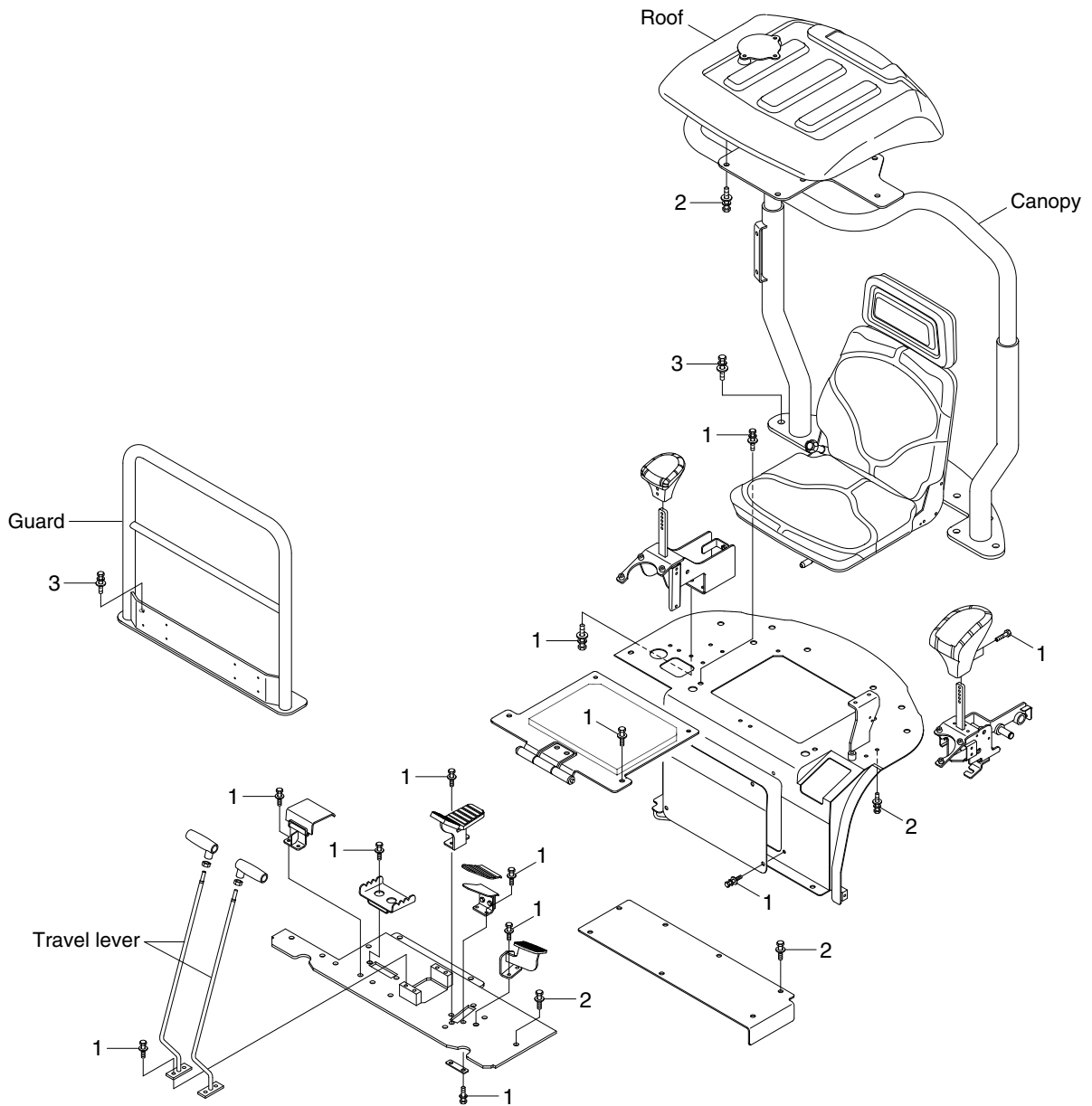
• Tightening torque

Item	Size	kgf · m	lbf · ft
1	M6×1.0	1.05±0.2	7.6±1.45
2	M10×1.5	6.9±1.4	49.9±10.1

Item	Size	kgf · m	lbf · ft
3	M12×1.75	12.8±3.0	93±22.0
4	M20×2.5	57.9±8.7	419±62.9

GROUP 6 STRUCTURE

1. CANOPY AND ACCESSORIES MOUNTING



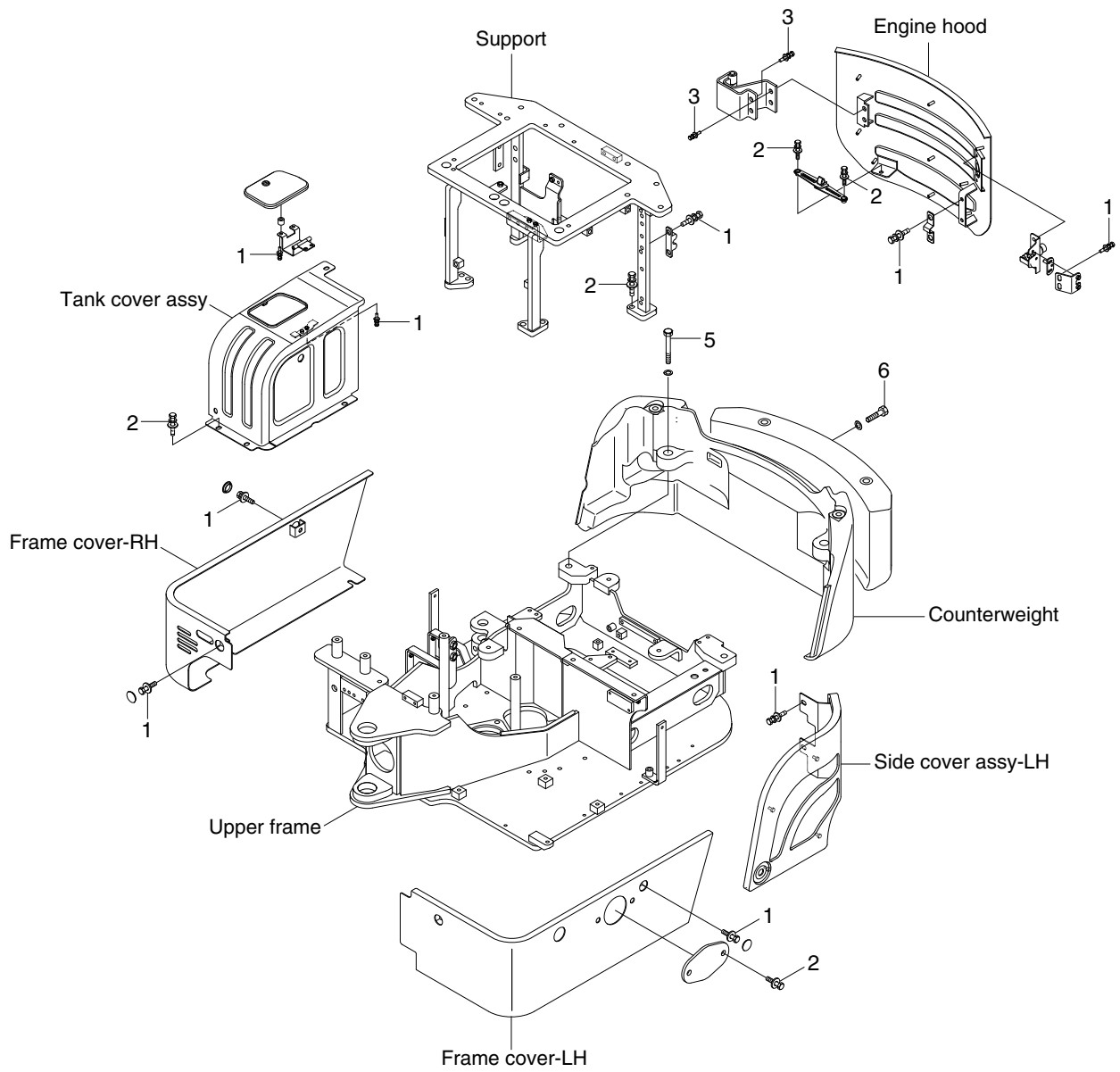
17Z9A8CM09

· Tightening torque

Item	Size	kgf · m	lbf · ft
1	M 8 × 1.25	2.5 ± 0.5	18.1 ± 3.6
2	M10 × 1.5	6.9 ± 1.4	50 ± 10

Item	Size	kgf · m	lbf · ft
3	M12 × 1.75	12.8 ± 3.0	92.6 ± 21.7

2. COWLING MOUNTING



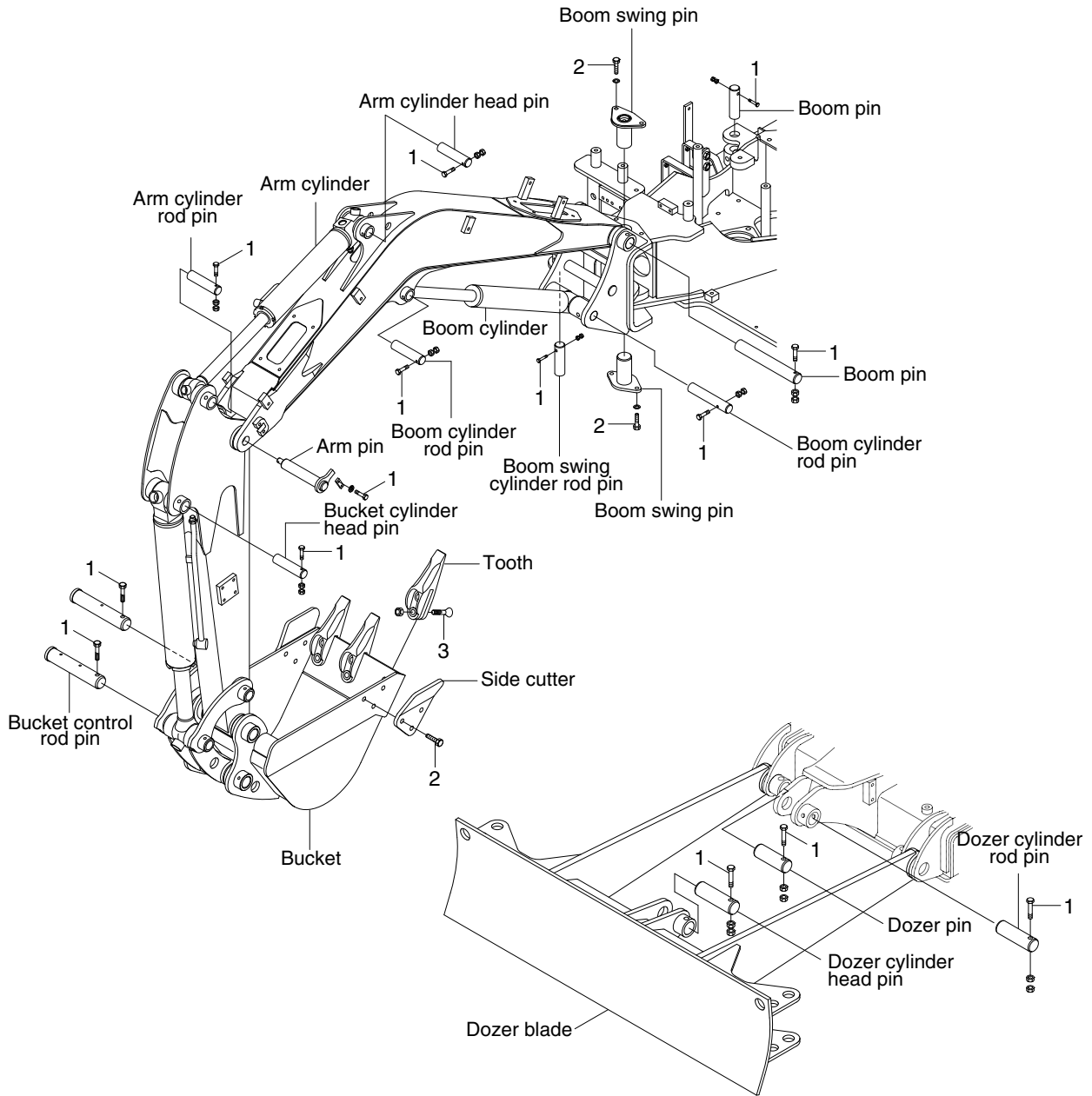
17Z9A8CM10

· Tightening torque

Item	Size	kgf · m	lbf · ft
1	M 8×1.25	2.5±0.5	18.1±3.6
2	M10×1.5	6.0±1.4	43.4±10.1
3	M12×1.75	12.8±3.0	92.6±21.7

Item	Size	kgf · m	lbf · ft
4	M16×2.0	29.7±4.5	215±32.5
5	M20×2.5	57.9±8.7	432±62.9
6	M24×3.0	100±15	723±108

GROUP 7 WORK EQUIPMENT



17Z9A8CM11

· Tightening torque

Item	Size	kgf · m	lbf · ft
1	M10×1.5	6.0±1.4	43.4±10.1
2	M12×1.75	12.8±3.0	92.6±21.7

Item	Size	kgf · m	lbf · ft
3	M16×1.5	31.3±4.7	226±34