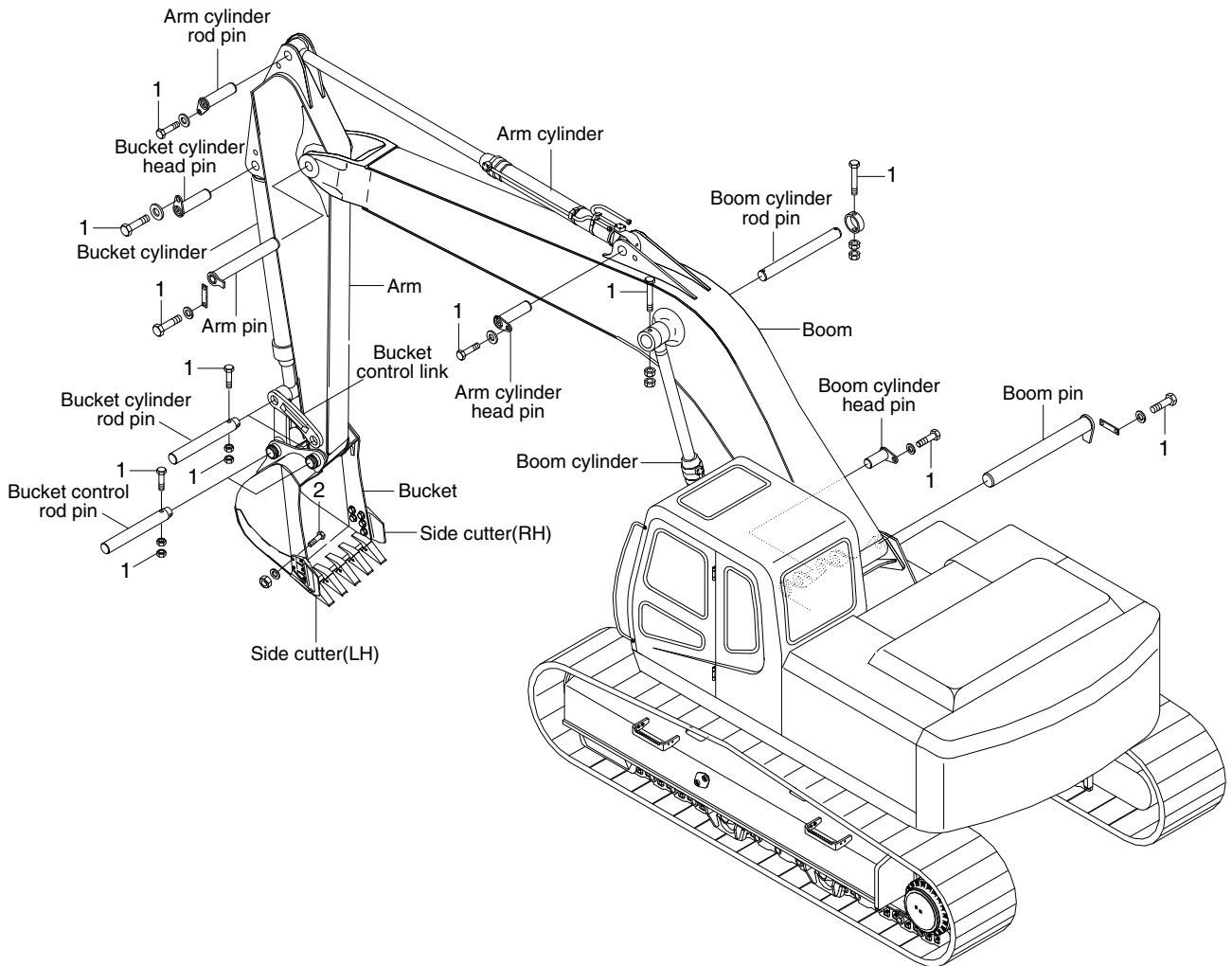


# GROUP 7 WORK EQUIPMENT



16099CM13

## Tightening torque

Item	Size	kgf·m	lbf·ft
1	M16×2.0	29.7±4.5	215±32.5
2	M20×2.5	57.9±8.7	419±62.9