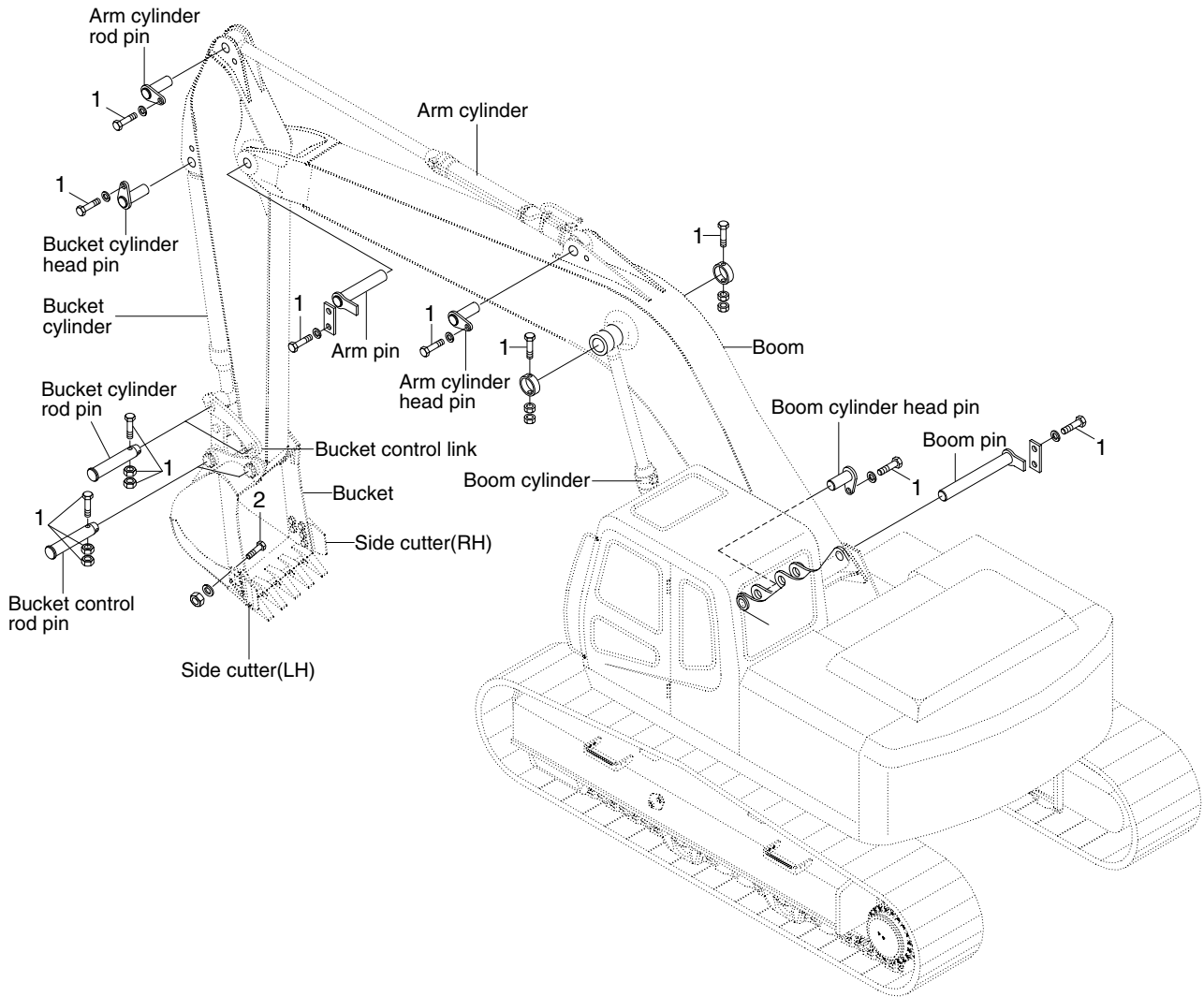


# GROUP 7 WORK EQUIPMENT



16079CM13

· Tightening torque

| Item | Size    | kgf · m  | lbf · ft |
|------|---------|----------|----------|
| 1    | M16×2.0 | 29.7±4.5 | 215±32.5 |

| Item | Size    | kgf · m  | lbf · ft |
|------|---------|----------|----------|
| 2    | M20×2.5 | 57.9±8.7 | 419±62.9 |