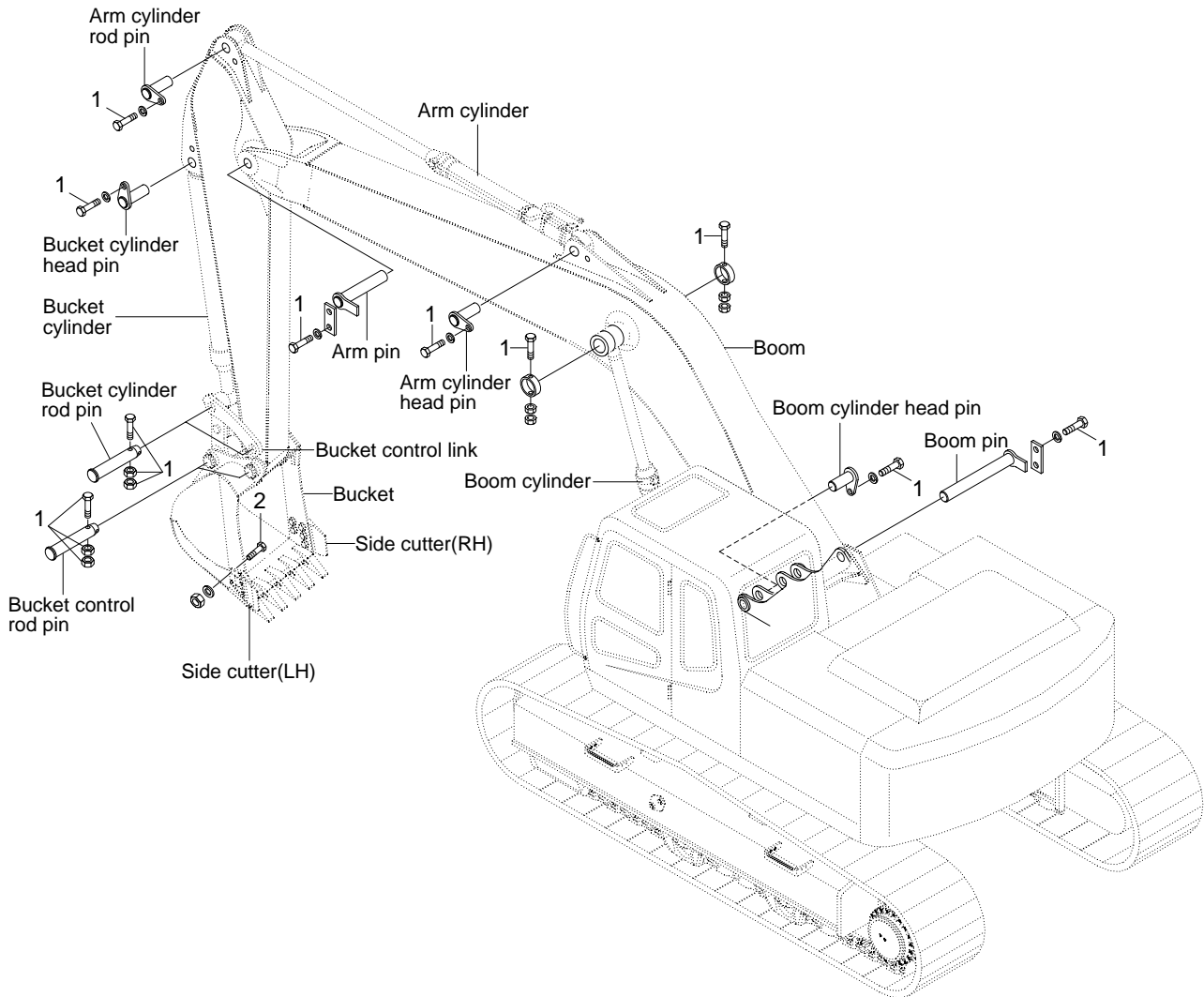


## GROUP 7 WORK EQUIPMENT



16079CM13

### · Tightening torque

Item	Size	kgf · m	lbf · ft
1	M16 × 2.0	29.7 ± 4.5	215 ± 32.5

Item	Size	kgf · m	lbf · ft
2	M20 × 2.5	57.9 ± 8.7	419 ± 62.9