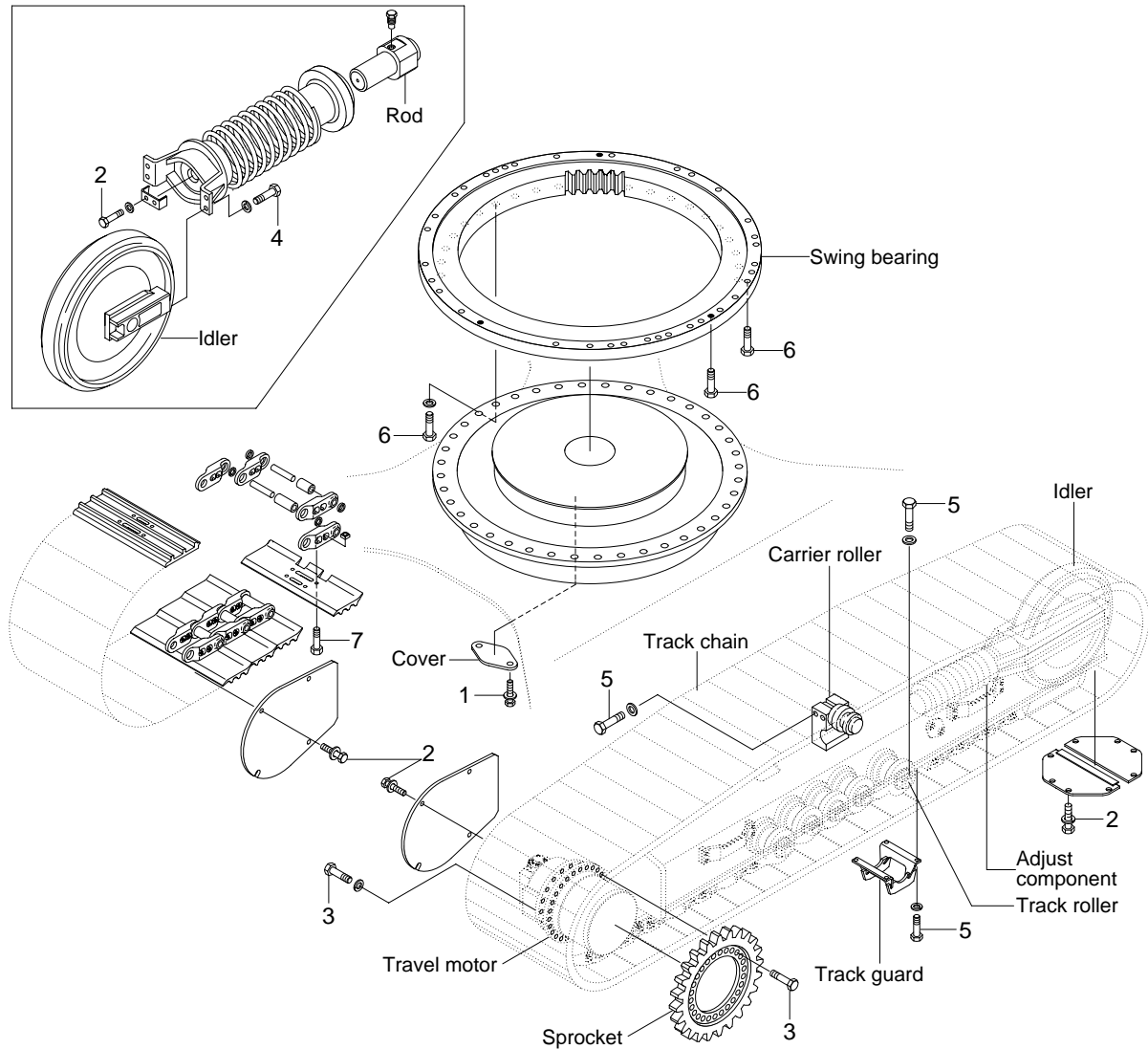


## GROUP 5 UNDERCARRIAGE

### ADJUST COMPONENT



16079CM08

### · Tightening torque

Item	Size	kgf · m	lbf · ft
1	M10 × 1.5	6.9 ± 1.4	49.9 ± 10.1
2	M12 × 1.75	12.8 ± 3.0	92.6 ± 21.7
3	M16 × 2.0	23 ± 2.5	166 ± 18.1
4	M16 × 2.0	29.7 ± 4.5	215 ± 32.5

Item	Size	kgf · m	lbf · ft
5	M20 × 2.5	54.7 ± 6.0	396 ± 43.4
6	M20 × 2.5	57.8 ± 6.4	418 ± 46.3
7	5/8"	40 ± 4.0	289 ± 43.4
-	-	-	-