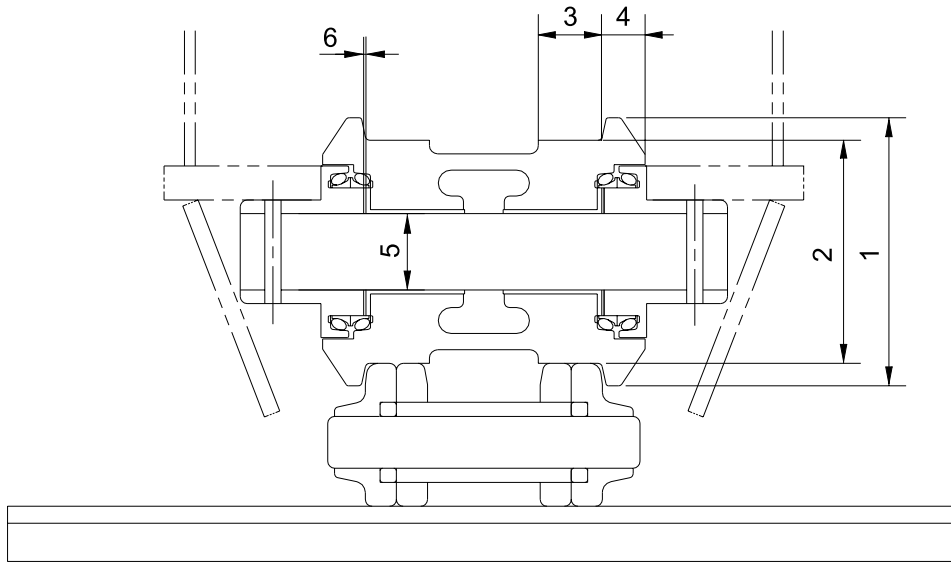


GROUP 3 TRACK AND WORK EQUIPMENT

1. TRACK

1) TRACK ROLLER

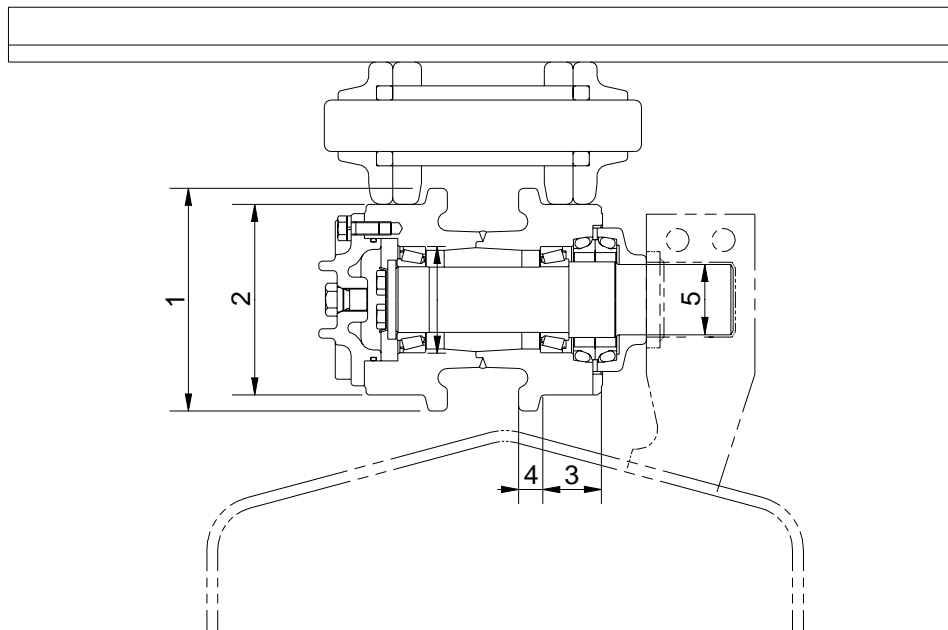


32077MS01

Unit : mm

No.	Check item	Criteria				Remedy
		Standard size		Repair limit		
1	Outside diameter of flange	Ø200		Ø188		Rebuild or replace
2	Outside diameter of tread	Ø160		Ø148		
3	Width of tread	48		54		
4	Width of flange	21.5		-		
5	Clearance between shaft and bushing	Standard size & Tolerance		Standard clearance	Clearance limit	Replace bushing
		Shaft	Hole			
		Ø70 _{-0.29} -0.33	Ø70.1 _{+0.46} 0	0.39 to 0.476	2.0	
6	Side clearance of roller (Both side)	Standard clearance		Clearance limit		Replace
		0.2 to 1.2		2.0		

2) CARRIER ROLLER

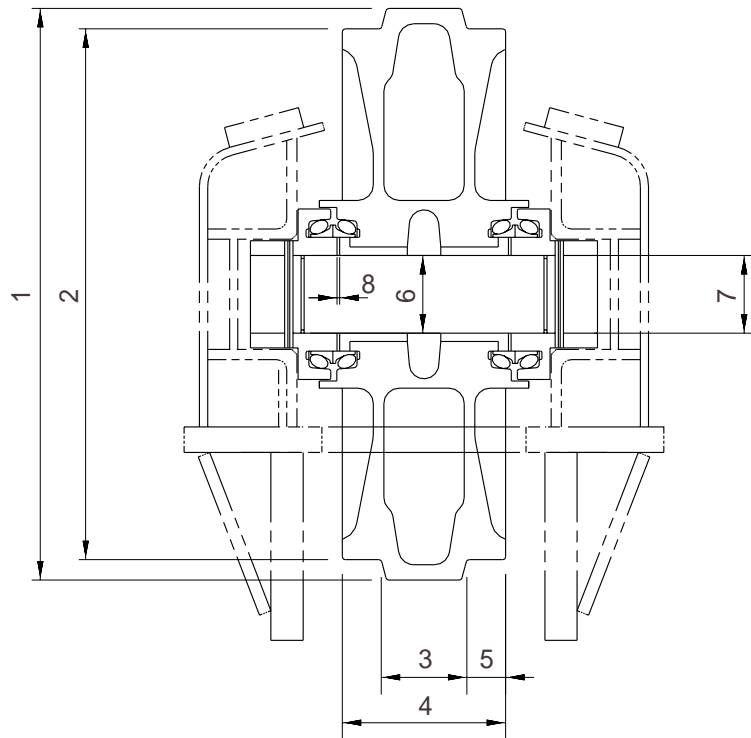


16077MS02

Unit : mm

No.	Check item	Criteria				Remedy
		Standard size		Repair limit		
1	Outside diameter of flange	Ø169		Ø155		Rebuild or replace
2	Outside diameter of tread	Ø144		Ø130		
3	Width of tread	44		51		
4	Width of flange	17		-		
5	Clearance between shaft and support	Standard size & Tolerance		Standard clearance	Clearance limit	Replace
		Shaft	Hole			
		Ø55 -0.05 -0.1	Ø55 +0.3 +0.1	0.15 to 0.4	1.2	

3) IDLER

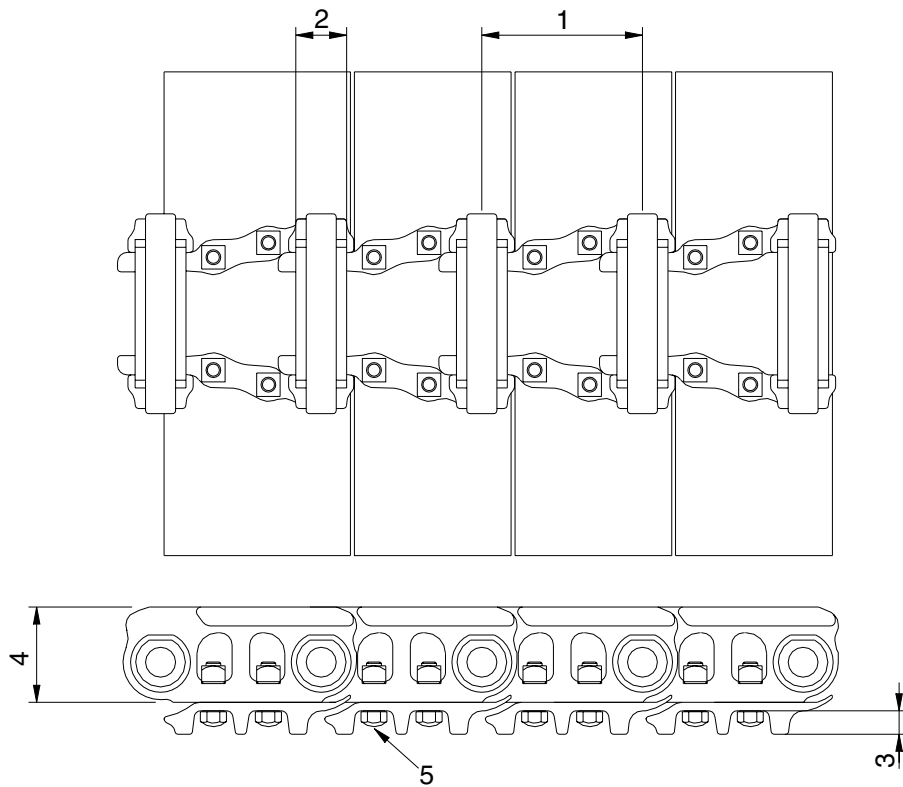


21037MS03

Unit : mm

No.	Check item	Criteria		Remedy		
		Standard size	Repair limit			
1	Outside diameter of protrusion	Ø560	Ø550	Rebuild or replace		
2	Outside diameter of tread	Ø520	Ø510			
3	Width of protrusion	84	74			
4	Total width	160	-			
5	Width of tread	38	43			
6	Clearance between shaft and bushing	Standard size & Tolerance		Standard clearance	Clearance limit	Replace bushing
		Shaft	Hole			
		Ø75 ⁰ _{-0.03}	Ø75.35 ^{+0.05} ₀	0.35 to 0.43	2.0	
7	Clearance between shaft and support	Ø75 ⁰ _{-0.03}	Ø75 ^{+0.07} _{+0.03}	0.03 to 0.1	1.2	Replace
8	Side clearance of idler (Both side)	Standard clearance		Clearance limit		Replace
		0.4 to 1.2		2.0		

4) TRACK

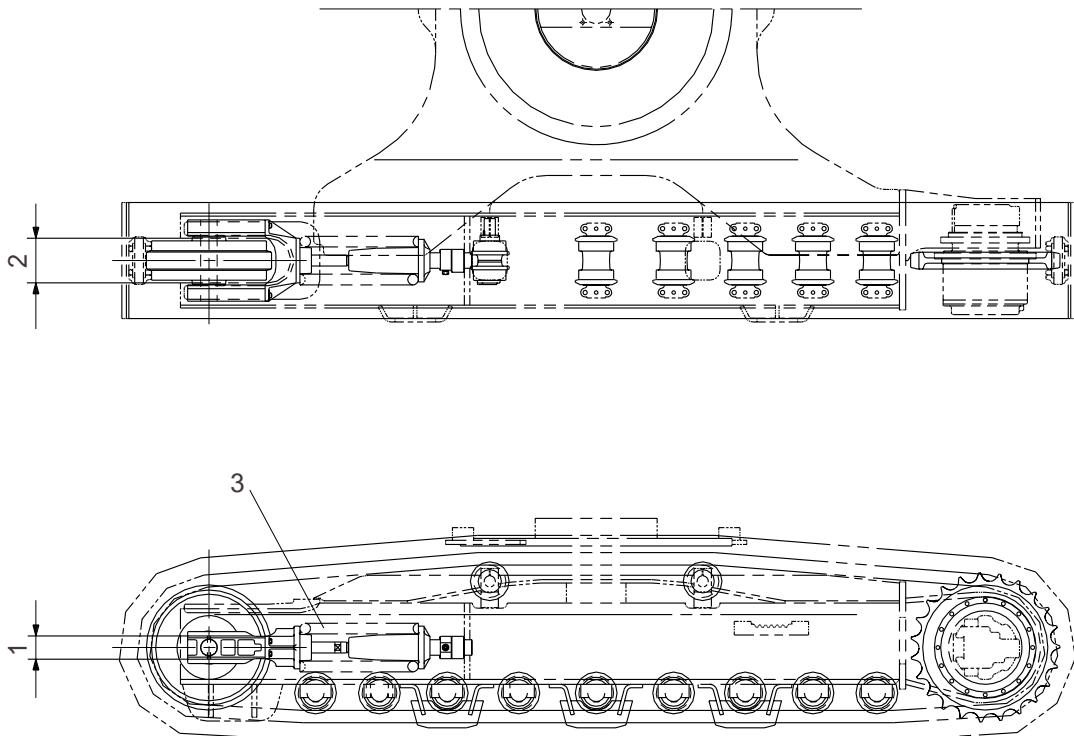


32077MS04

Unit : mm

No.	Check item	Criteria		Remedy
		Standard size	Repair limit	
1	Link pitch	171.45	175.65	Turn or replace
2	Outside diameter of bushing	∅ 54	∅ 46	
3	Height of grouser	25	16	Rebuild or replace
4	Height of link	101.6	93.6	
5	Tightening torque (Tightening angle method)	Initial tightening torque : $40 \pm 4 \text{kgf} \cdot \text{m}$		Retighten

5) TRACK FRAME AND RECOIL SPRING

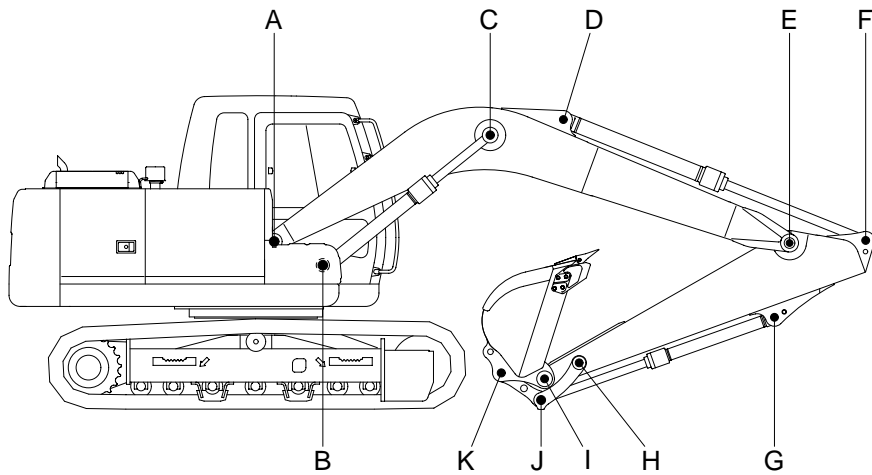


21037MS05

Unit : mm

No.	Check item	Criteria				Remedy	
			Standard size	Tolerance	Repair limit		
1	Vertical width of idler guide	Track frame	113	+2 0	117	Rebuild or replace	
		Idler support	110	-0.5 -1.0	106		
2	Horizontal width of idler guide	Track frame	272	+2 0	277		
		Idler support	270	+0.5 -0.5	267		
3	Recoil spring	Standard size			Repair limit		Replace
		Free length	Installation length	Installation load	Free length	Installation load	
		Ø225 x 525	420	11,908kg	-	9,527kg	

2. WORK EQUIPMENT



160LC7MS20

Unit : mm

Mark	Measuring point (Pin and Bushing)	Normal value	Pin		Bushing		Remedy & Remark
			Recomm. service limit	Limit of use	Recomm. service limit	Limit of use	
A	Boom Rear	75	74	73.5	75.5	76	Replace
B	Boom Cylinder Head	70	69	68.5	70.5	71	"
C	Boom Cylinder Rod	75	74	73.5	75.5	76	"
D	Arm Cylinder Head	70	69	68.5	70.5	71	"
E	Boom Front	75	74	73.5	75.5	76	"
F	Arm Cylinder Rod	70	69	68.5	70.5	71	"
G	Bucket Cylinder Head	70	69	68.5	70.5	71	"
H	Arm Link	70	69	68.5	70.5	71	"
I	Bucket and Arm Link	70	69	68.5	70.5	71	"
J	Bucket Cylinder Rod	70	69	68.5	70.5	71	"
K	Bucket Link	70	69	68.5	70.5	71	"