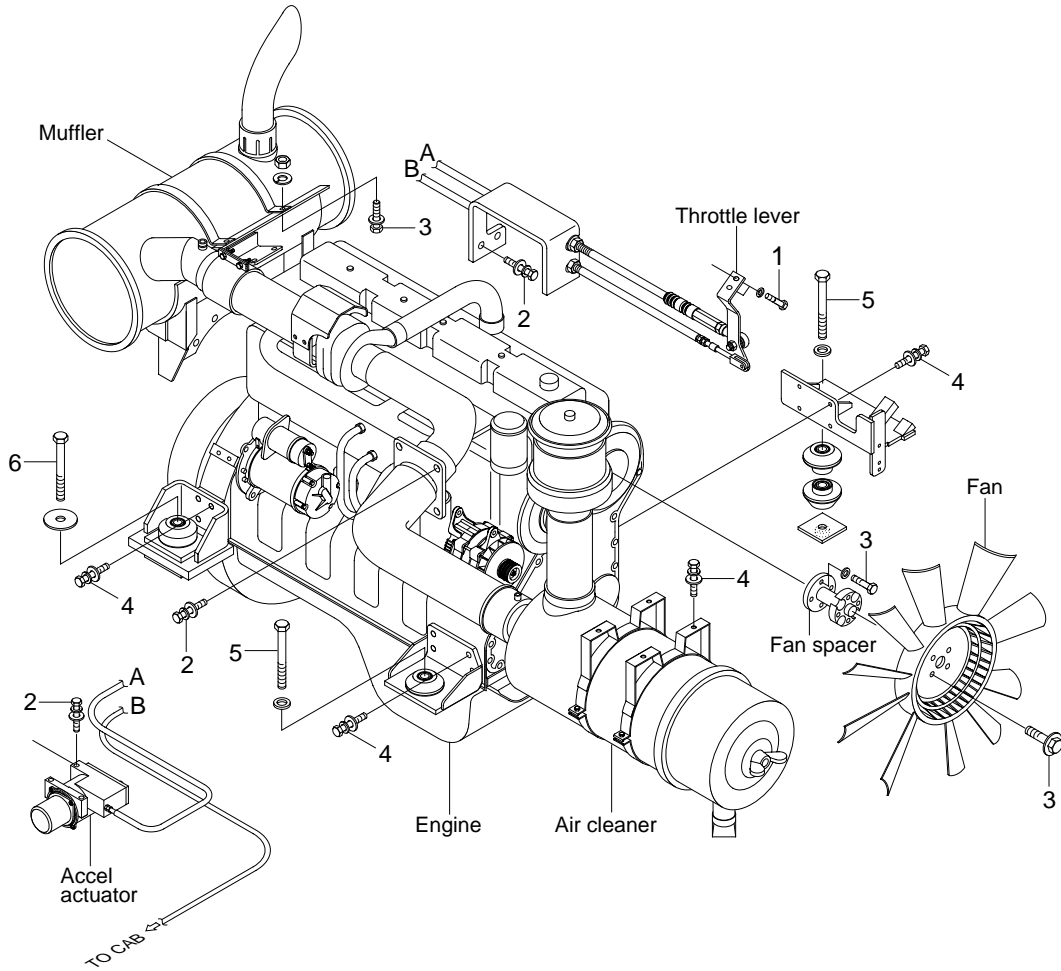


## GROUP 2 ENGINE SYSTEM

### 1. ENGINE AND ACCESSORIES MOUNTING



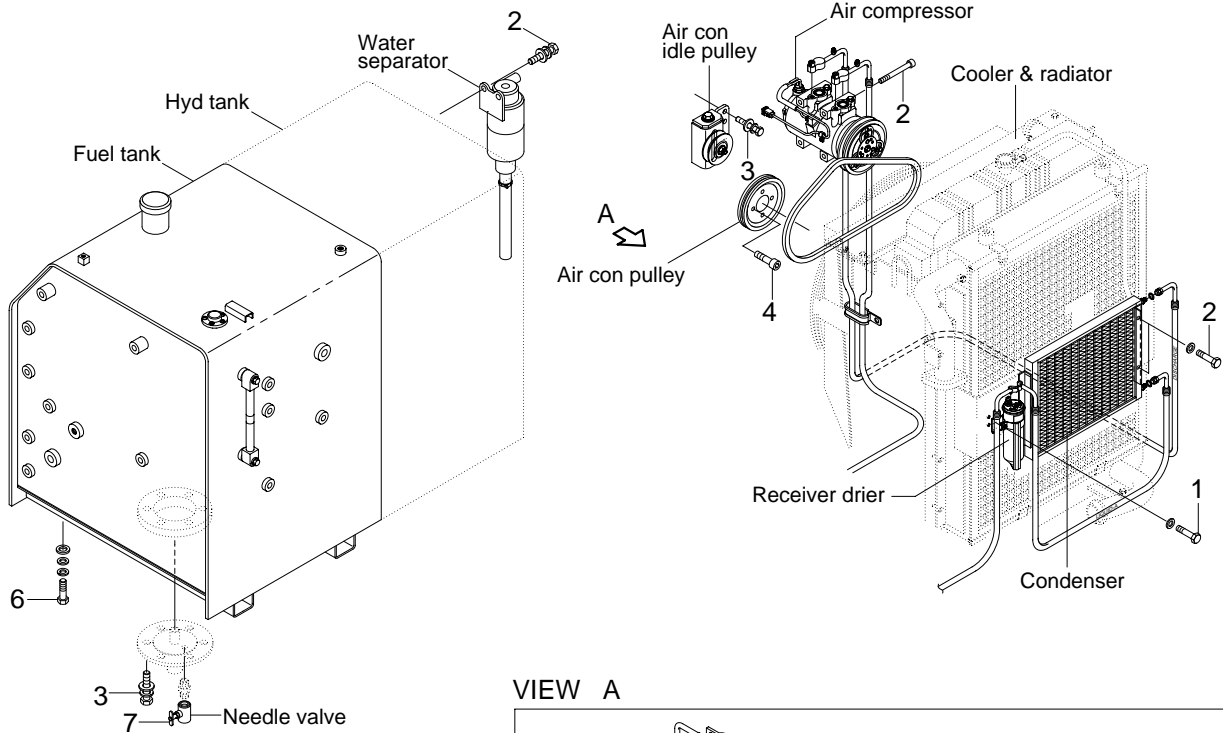
17W79CM01

#### · Tightening torque

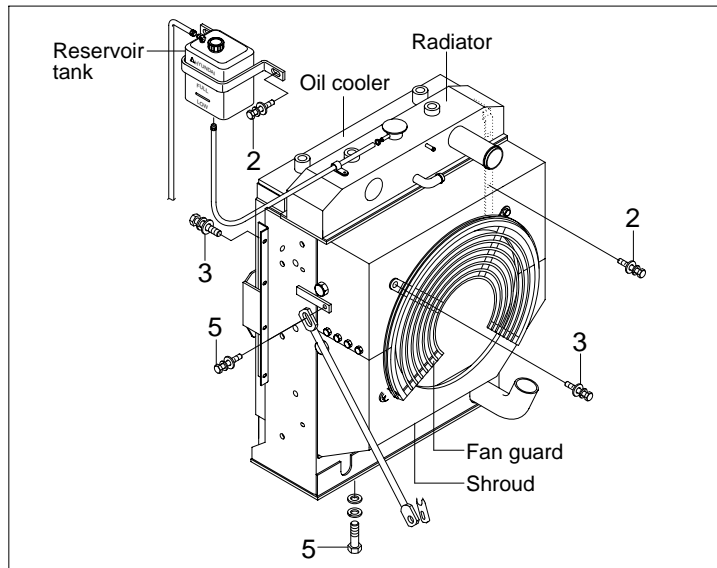
Item	Size	kgf · m	lbf · ft
1	M 6 × 1.0	1.05 ± 0.2	7.6 ± 1.4
2	M 8 × 1.25	2.5 ± 0.5	18.1 ± 3.6
3	M10 × 1.5	6.9 ± 1.4	49.9 ± 10.1

Item	Size	kgf · m	lbf · ft
4	M12 × 1.75	10.0 ± 2.0	72.3 ± 14.5
5	M12 × 1.75	30.0 ± 3.5	217 ± 25.3
6	M12 × 1.75	55 ± 3.5	398 ± 25.3

## 2. COOLING SYSTEM AND FUEL TANK MOUNTING



VIEW A



17W79CM02

### · Tightening torque

Item	Size	kgf · m	lbf · ft
1	M 6 × 1.0	1.05 ± 0.2	7.6 ± 1.45
2	M 8 × 1.25	2.5 ± 0.5	18.1 ± 3.6
3	M10 × 1.5	6.9 ± 1.4	49.9 ± 10.1
4	M10 × 1.5	8.27 ± 1.7	59.8 ± 12.3

Item	Size	kgf · m	lbf · ft
5	M12 × 1.75	12.8 ± 3.0	92.6 ± 21.7
6	M20 × 2.5	46 ± 5.1	333 ± 36.9
7	-	2.3 ± 0.6	16.6 ± 4.3
-	-	-	-