

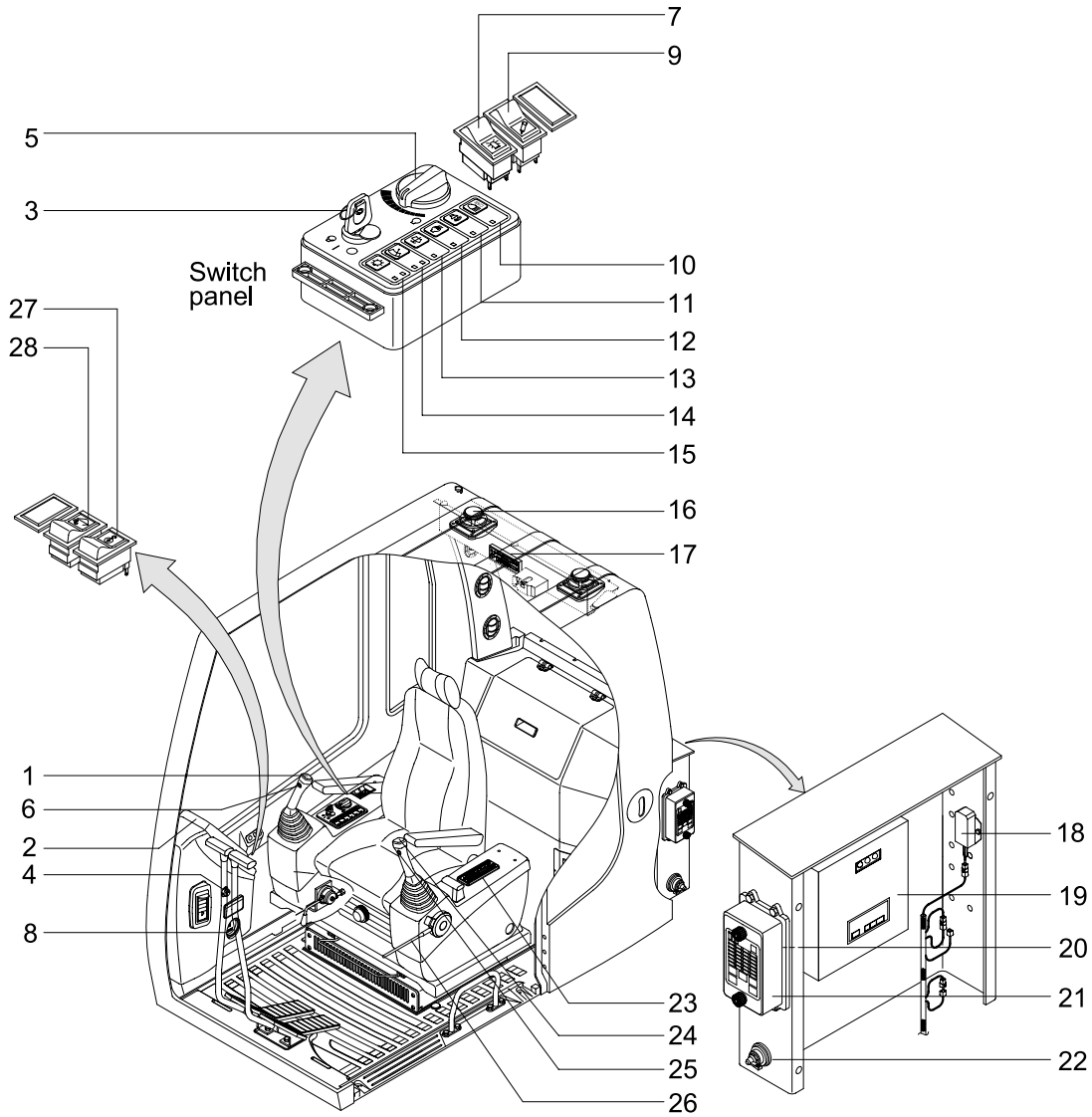
## SECTION 4 ELECTRICAL SYSTEM

Group 1 Component Location .....	4-1
Group 2 Electrical Circuit .....	4-3
Group 3 Electrical Component Specification .....	4-20
Group 4 Connectors .....	4-29

# SECTION 4 ELECTRICAL SYSTEM

## GROUP 1 COMPONENT LOCATION

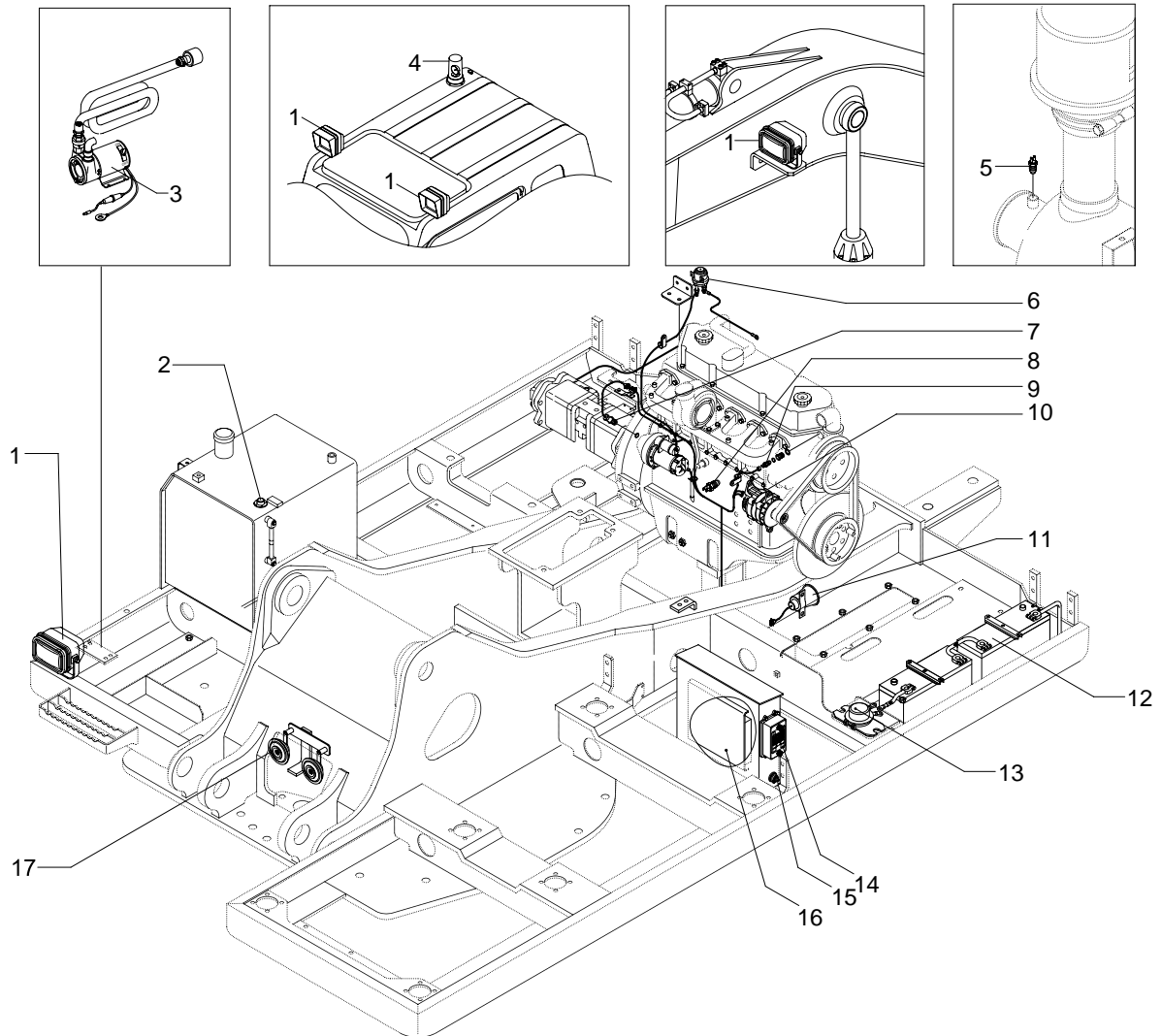
### 1. LOCATION 1



16074EL01

- |    |                          |    |                          |    |                              |
|----|--------------------------|----|--------------------------|----|------------------------------|
| 1  | Horn switch              | 11 | Travel alarm stop switch | 20 | RS232 serial port            |
| 2  | Cluster                  | 12 | Preheat switch           | 21 | Fuse box                     |
| 3  | Starting switch          | 13 | Washer switch            | 22 | Master switch                |
| 4  | Cigar lighter            | 14 | Wiper switch             | 23 | Aircon & heater switch panel |
| 5  | Accel dial               | 15 | Main light switch        | 24 | One touch decel switch       |
| 6  | Breaker switch           | 16 | Speaker                  | 25 | Power max switch             |
| 7  | Beacon switch            | 17 | Cassette & radio         | 26 | Safety lever                 |
| 8  | Service meter            | 18 | Resistor                 | 27 | Overload switch              |
| 9  | Breaker selection switch | 19 | CPU controller           | 28 | Quick coupling switch        |
| 10 | Cab light switch         |    |                          |    |                              |

## 2. LOCATION 2



16074EL02

- |   |                    |    |                            |    |                     |
|---|--------------------|----|----------------------------|----|---------------------|
| 1 | Lamp               | 6  | Heater relay               | 11 | Travel alarm buzzer |
| 2 | Fuel sender        | 7  | Speed sensor               | 12 | Battery             |
| 3 | Fuel filler pump   | 8  | Engine oil pressure switch | 13 | Battery relay       |
| 4 | Beacon lamp        | 9  | Temperature sender         | 14 | Fuse box            |
| 5 | Air cleaner switch | 10 | Alternator                 | 15 | Master switch       |
|   |                    |    |                            | 16 | CPU controller      |