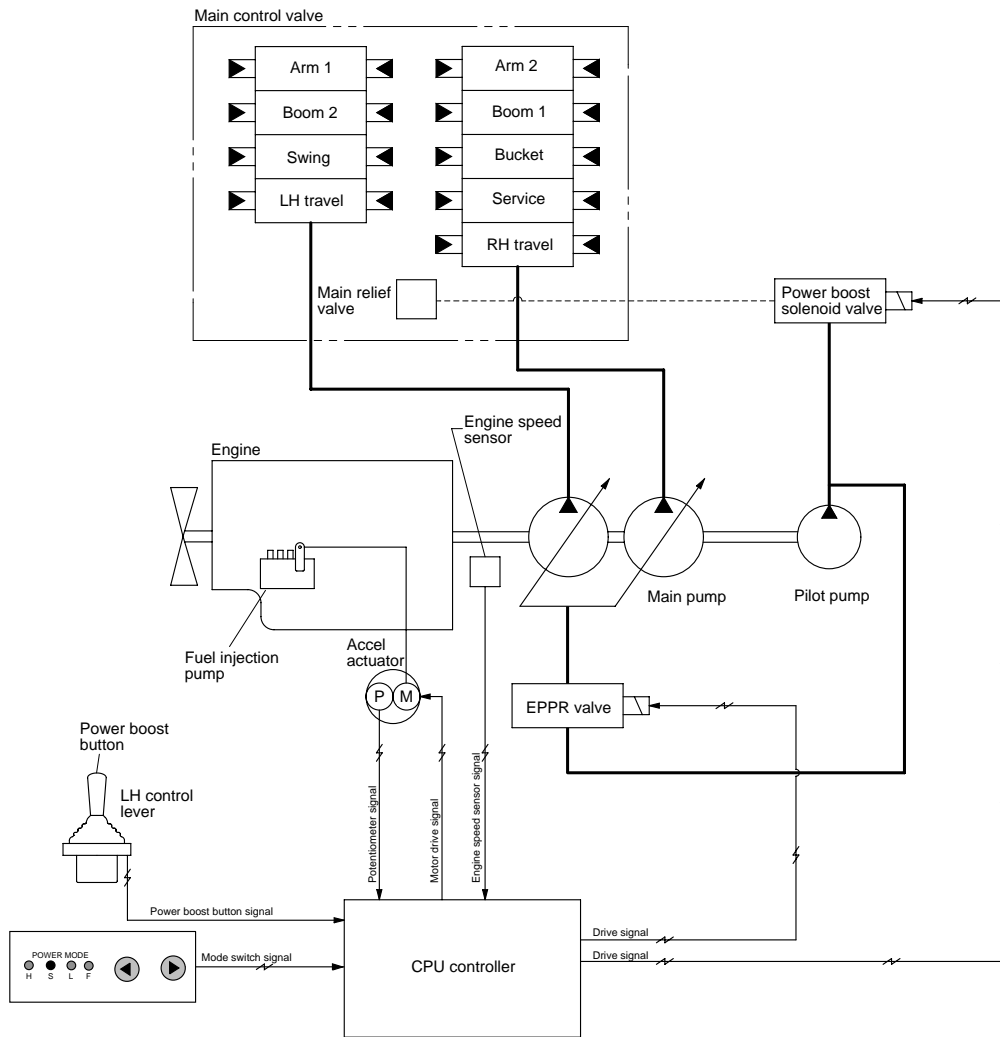


GROUP 4 POWER BOOST SYSTEM



- When the power boost switch on the left control lever knob is pushed ON, the maximum digging power is increased by 10%.
- When the power set is at H or S and the power boost function is activated, the power boost solenoid valve pilot pressure raises the set pressure of the main relief valve to increase the digging power.

| Description | Power boost switch | |
|--------------------------------|------------------------|---|
| | OFF | ON |
| Power set | H or S | H |
| Main relief valve set pressure | 320kgf/cm ² | 350kgf/cm ² |
| Time of operation | - | Even when pressed continuously, it is canceled after 8 sec. |

※ This function does not work at L and F.

※ Default — Power boost solenoid valve : OFF