

GROUP 4 CONNECTORS

1. CONNECTOR DESTINATION

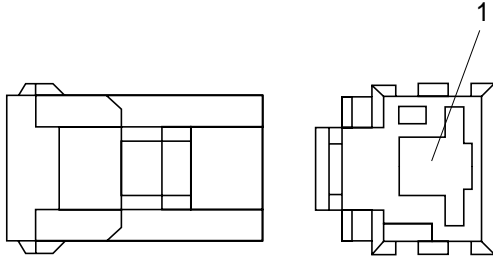
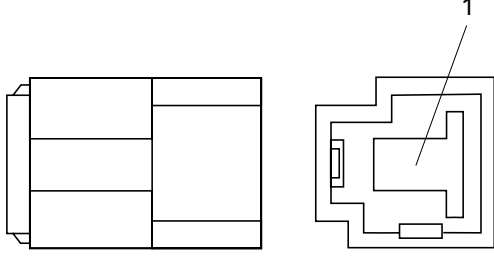
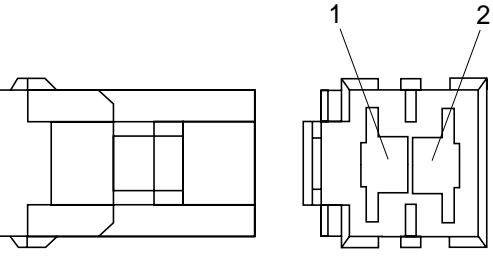
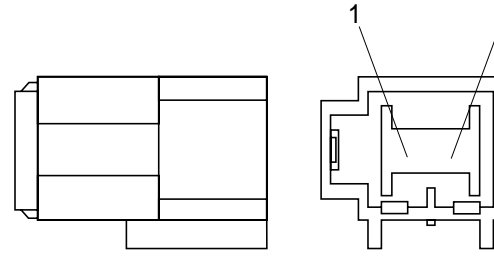
Connector number	Type	No. of pin	Destination	Destination	
				Female	Male
CN-1	DEUTSCH	23	I/conn(Frame harness-main harness)	HD36-24-23SE	HD34-24-23PE
CN-2	DEUTSCH	23	I/conn(Frame harness-main harness)	HD36-24-23SE	HD34-24-23PE
CN-3	DEUTSCH	23	I/conn(Engine harness-frame harness)	HD36-24-23SE	HD34-24-23PE
CN-4	SWP	4	I/conn(Engine harness)	S814-004001	-
CN-6	SWP	8	I/conn(Cabin harness-main harness)	S814-008001	S814-108001
CN-9	SWP	6	I/conn(Cabin harness-main harness)	S814-006001	S814-106001
CN-10	BS	2	I/conn(Boom harness-frame harness)	MG610574-4	MG640188
CN-13	CN	4	I/conn(Wiper harness-cabin harness)	S810-004503	7122-2040
CN-14	CN	4	I/conn(Cabin harness-beacon lamp)	S810-004202	-
CN-20	MARK- II	1	Horn	S819-010112	-
CN-21	CN	4	Wiper motor	S810-004202	-
CN-22	CN	2	Washer tank	MG640605	-
CN-23	KET	1	Speaker(LH)	S822-014000	S822-114000
CN-24	KET	1	Speaker(RH)	S822-014000	S822-114000
CN-25	MARK- II	1	Horn	S819-010112	-
CN-27	PA	9	Cassette & radio	S811-009003	-
CN-28	CN	2	Compressor	0297-3407	-
CN-29	AMP	2	Receiver dryer	21L7-12000	-
CN-30	AMP	13	Aircon controller	S811-013002	-
CN-31	CN	2	Blower	S810-002202	-
CN-36	SWP	20	Fuse box	21L7-00250	-
CN-45	RING-TERM	-	Start motor B ⁺	S820-406000	-
CN-47	CN	2	Resistor	S810-002202	-
CN-48	CN	2	Hour meter	S810-002202	-
CN-50	T&B	24	CPU controller	943700-52	-
CN-51	T&B	18	CPU controller		-
CN-52	T&B	10	CPU controller		-
CN-53	T&B	18	CPU controller	951400-18	-
CN-56	DEUTSCH	4	Cluster	DT04-4P-E003	-
CN-60	58-L	2	Fusible link	S813-030200	S813-130200
CN-61	KET	1	Fuel filler pump	S822-015004	S822-115001
CN-65	KET	1	Travel alarm buzzer	S822-014000	S822-114001

Connector number	Type	No. of pin	Destination	Destination	
				Female	Male
CN-66	SWP	2	Breaker solenoid	S814-002000	S814-102001
CN-68	SWP	2	Safety solenoid	S814-002000	S814-102001
CN-70	SWP	2	Travel solenoid	S814-002000	S814-102001
CN-74	RING-TERM	-	Alternator "I" term	S820-104000	-
CN-75	AMP	2	EPPR valve	174354-2	174352-2
CN-76	DEUTSCH	6	DC motor	DT06-6S-E003	-
CN-78	KET	1	Ether	S822-014000	S822-114000
CN-79	RING-TERM	3	Fuel cut-off solenoid	S818-020311	-
CN-88	SWP	2	Power boost solenoid	S814-002000	S814-102001
CN-89	SWP	2	Arm half solenoid	S814-002000	S814-102001
CN-91	CN	8	AC EVA assembly	S810-008202	-
CN-92	SWP	12	AC EVA assembly	S814-012001	-
· Relay					
CR-1	RING-TERM	-	Battery relay	S820-104000	-
CR-2	CN	4	Horn relay	S810-004202	-
CR-3	CN	4	Work lamp relay	S810-004202	-
CR-5	CN	4	Start safety	S810-004202	-
CR-23	CN	2	Start relay	S810-004202	-
· Switch					
CS-1	KET	1	Door switch	S822-004202	-
CS-2	SWP	6	Start switch	S814-006001	-
CS-3	SWF	10	Wiper & washer switch	SWF, 593757	-
CS-4	CN	3	Safety switch	S810-003202	-
CS-5	KET	1	Horn switch	S822-014000	-
CS-7	SWP	6	Prolix switch	S814-006001	-
CS-16	SWF	10	Travel alarm switch	SWF, 593757	-
CS-21	SWF	10	Light switch	SWF, 593757	-
CS-22	SWF	10	Cold start switch	SWF, 593757	-
CS-23	SWF	10	Beacon lamp switch	SWF, 593757	-
CS-26	KET	1	Pedal switch	S822-014000	S822-114000
CS-27	SWF	10	Breaker switch	SWF, 593757	-
CS-29	KET	1	Power boost switch	S822-014000	-
CS-50	SWF	10	Arm half switch	SWF, 593757	-
CS-54	SWF	10	Aircon switch	SWF, 593757	-
CS-58	CN	6	Aircon blower switch	S810-006202	-

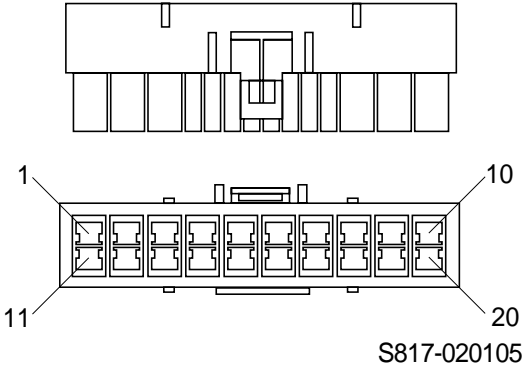
Connector number	Type	No. of pin	Destination	Destination	
				Female	Male
· Light					
CL-1	CN	2	Room lamp	MG610392	-
CL-2	KET	1	Cigar lighter	S822-014000	S822-114000
CL-3	SWP	2	Head lamp	S814-002001	S814-102001
CL-5, 6	SWP	2	Work lamp	S814-002000	S814-102000
CL-7	AMP	1	Beacon lamp	S822-014000	S822-114000
· Sensor, sendor					
CD-1	AMP	2	Hydraulic oil temp sender	85202-1	-
CD-2	SWP	2	Fuel sender	S814-002001	-
CD-6	AMP	1	Auto idle pressure switch	MG640795	-
CD-8	MARK- II	2	Water temp sender	85202-1	-
CD-10	RING-TERM	2	Air cleaner switch	S820-104000	-
CD-11	KET	1	Travel alarm pressure switch	1-150656	-
CD-12	KET	1	Travel alarm pressure switch	1-150656	-
CD-13	KET	1	Travel alarm pressure switch	1-150656	-
CD-14	KET	1	Travel alarm pressure switch	1-150656	-
CD-16	NC	2	Water level sender	S814-002001	-
CD-17	TWP	2	Tachosensor	-	S818-120221
CD-18	RING-TERM	2	Engine oil pressure switch	-	S820-104000

2. CONNECTION TABLE FOR CONNECTORS

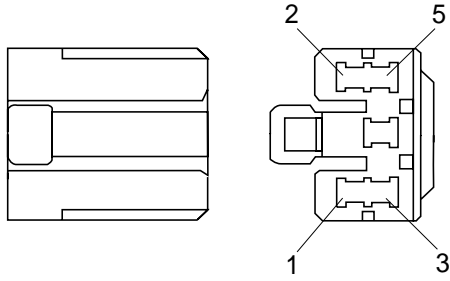
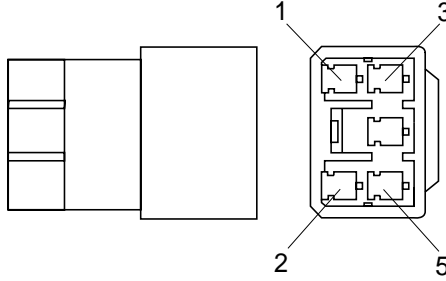
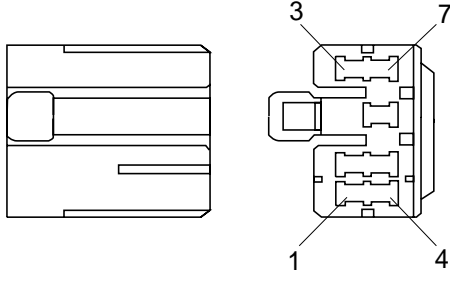
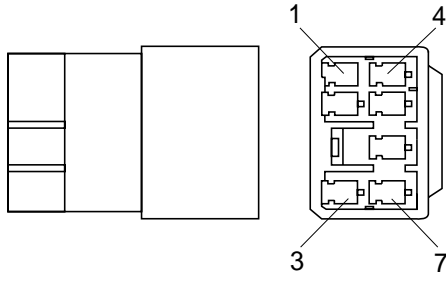
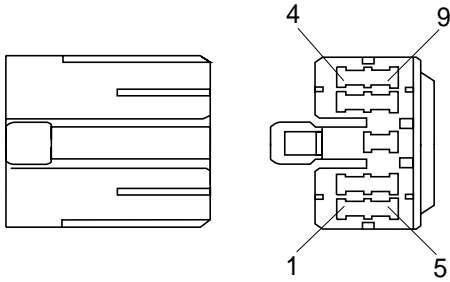
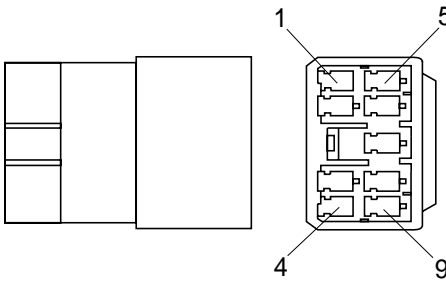
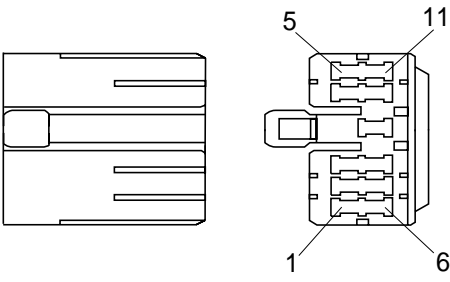
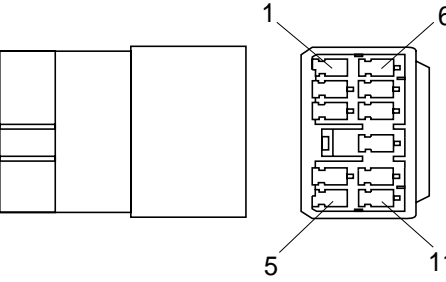
1) 58-L TYPE CONNECTOR

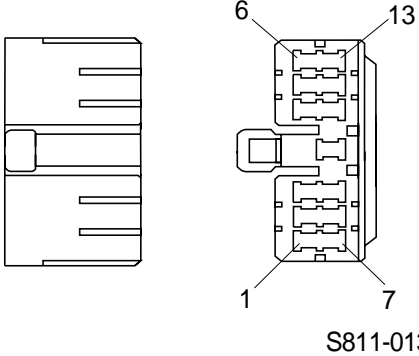
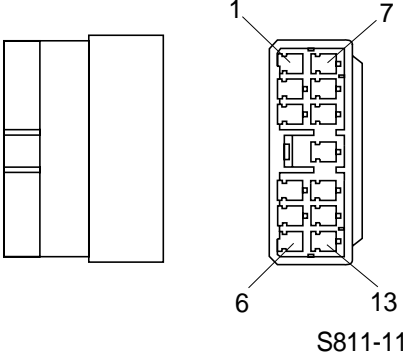
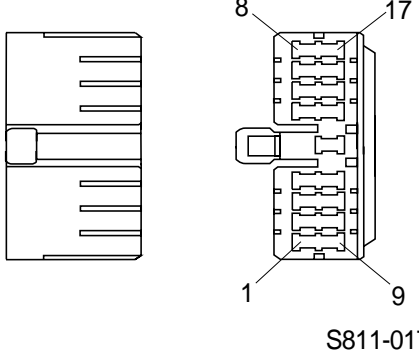
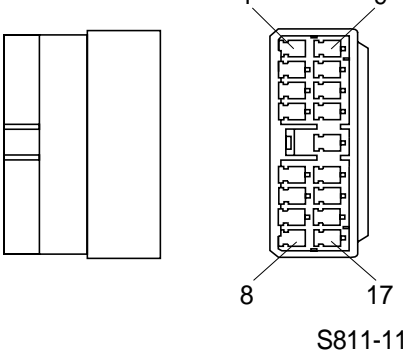
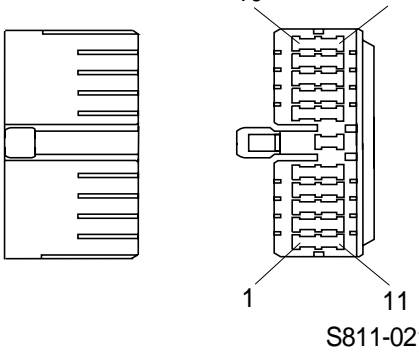
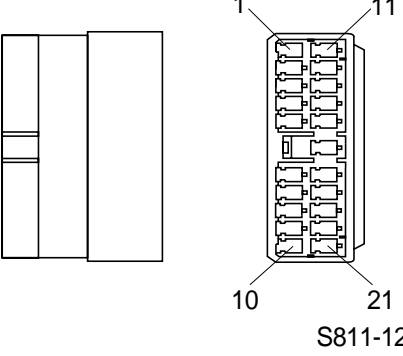
No. of pin	Receptacle connector(Female)	Plug connector(Male)
1	 <p style="text-align: center;">S813-030100</p>	 <p style="text-align: center;">S813-130100</p>
2	 <p style="text-align: center;">S813-030200</p>	 <p style="text-align: center;">S813-130200</p>

2) MULTILOCK TYPE CONNECTOR

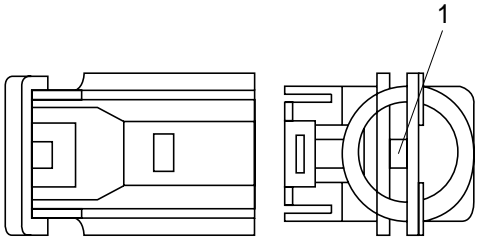
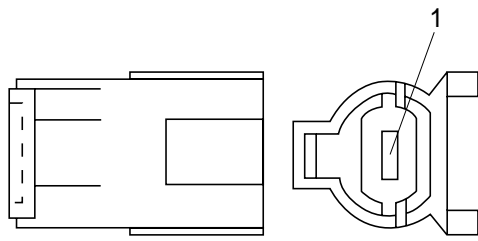
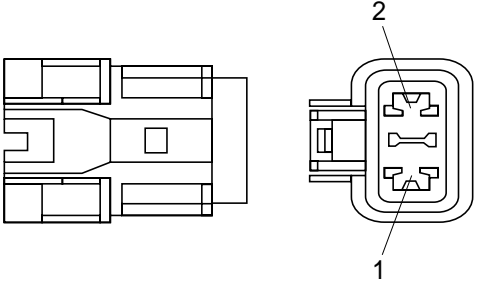
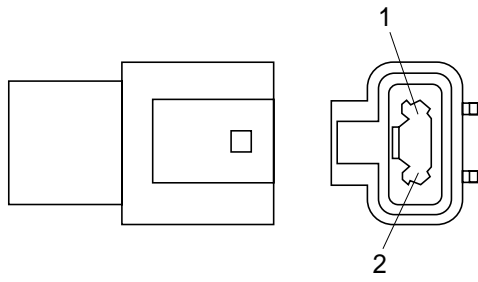
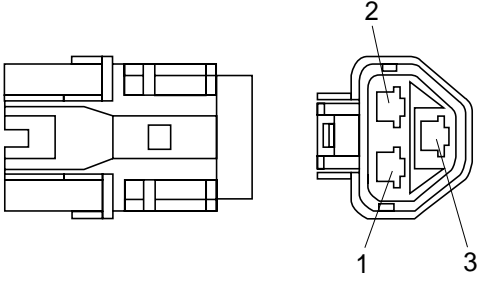
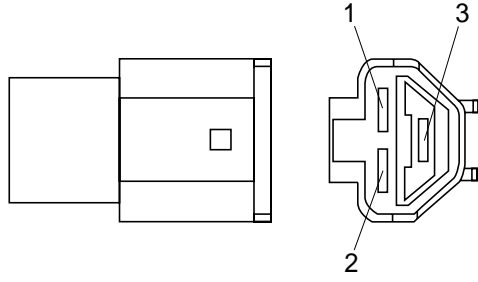
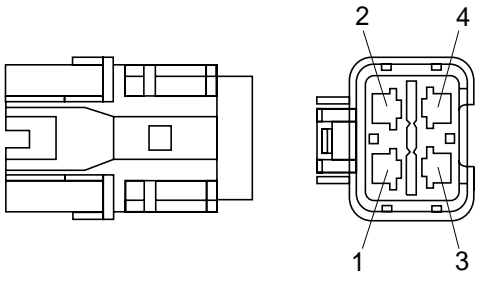
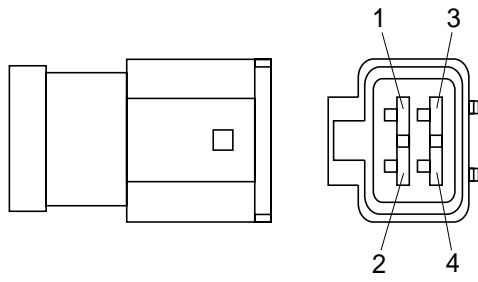
No. of pin	Receptacle connector(Female)	Plug connector(Male)
20	 <p>S817-020105</p>	

3) PA TYPE CONNECTOR

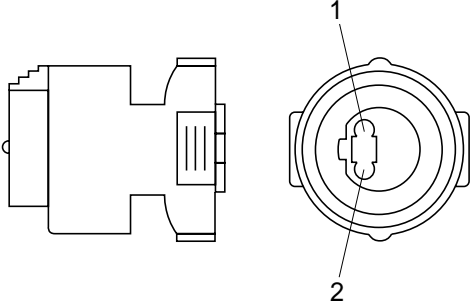
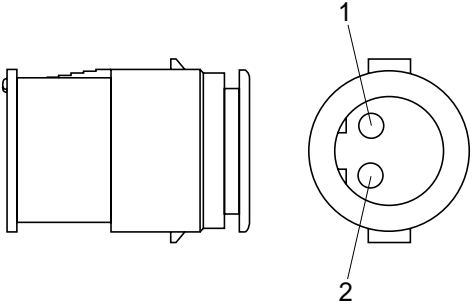
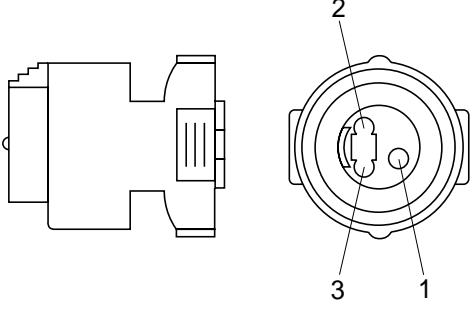
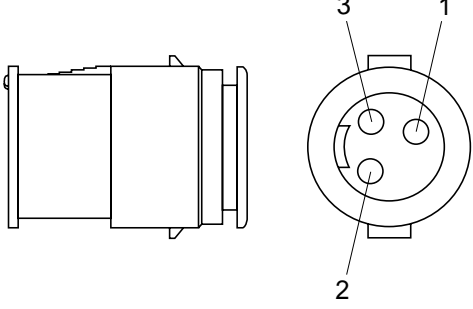
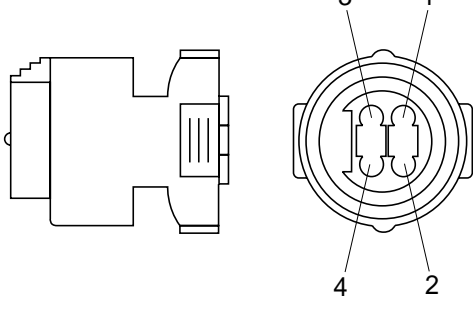
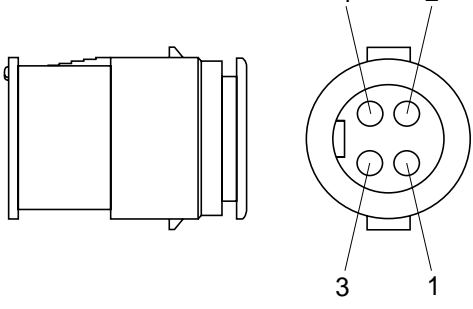
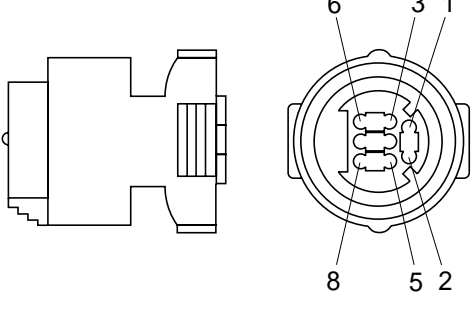
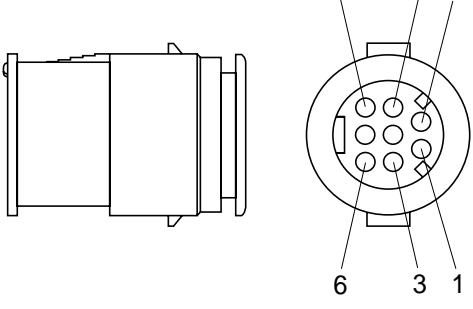
No. of pin	Receptacle connector(Female)	Plug connector(Male)
5	 <p style="text-align: center;">S811-005002</p>	 <p style="text-align: center;">S811-105002</p>
7	 <p style="text-align: center;">S811-007002</p>	 <p style="text-align: center;">S811-107002</p>
9	 <p style="text-align: center;">S811-009002</p>	 <p style="text-align: center;">3S811-109002</p>
11	 <p style="text-align: center;">S811-011002</p>	 <p style="text-align: center;">S811-111002</p>

No. of pin	Receptacle connector(Female)	Plug connector(Male)
13	 <p style="text-align: center;">S811-013002</p>	 <p style="text-align: center;">S811-113002</p>
17	 <p style="text-align: center;">S811-017002</p>	 <p style="text-align: center;">S811-117002</p>
21	 <p style="text-align: center;">S811-021002</p>	 <p style="text-align: center;">S811-121002</p>

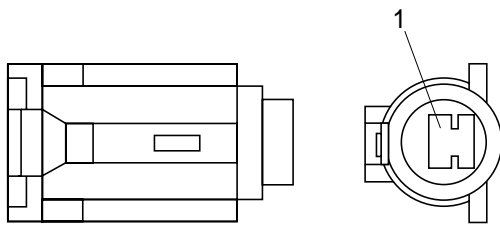
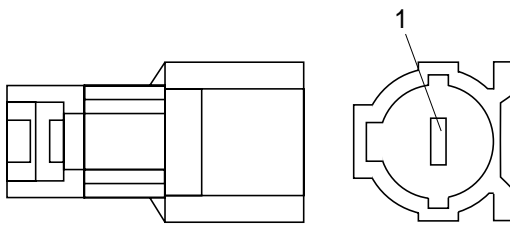
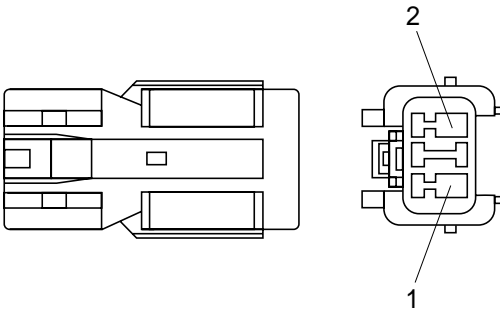
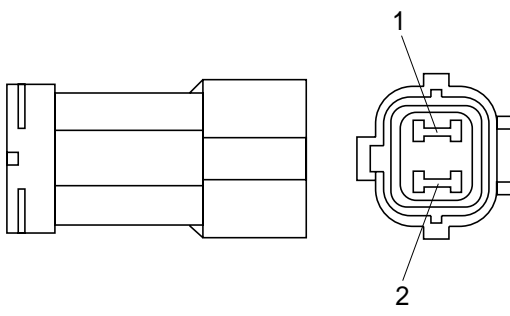
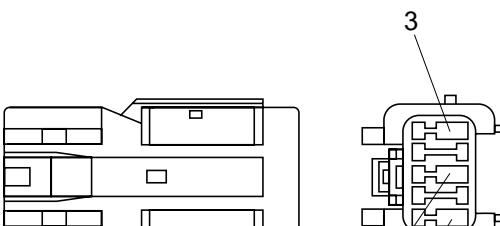
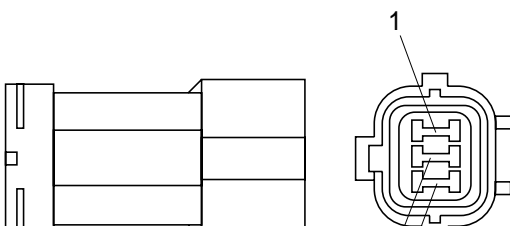
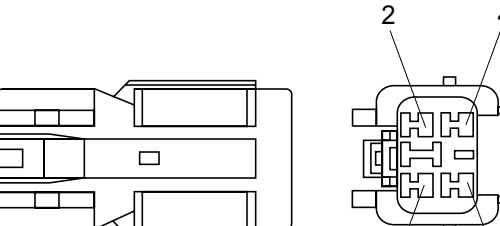
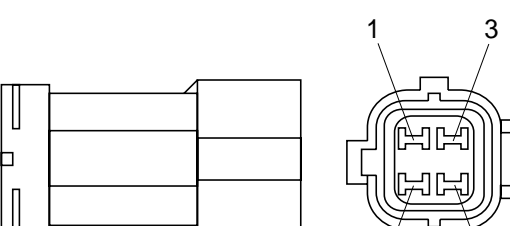
4) 58-X TYPE CONNECTOR

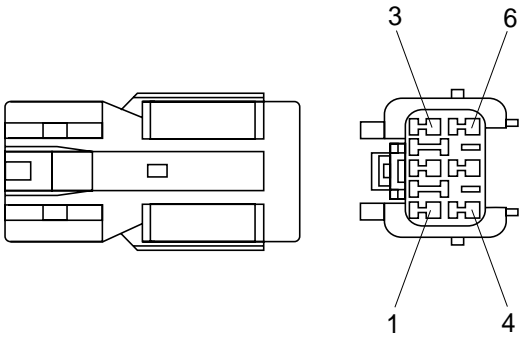
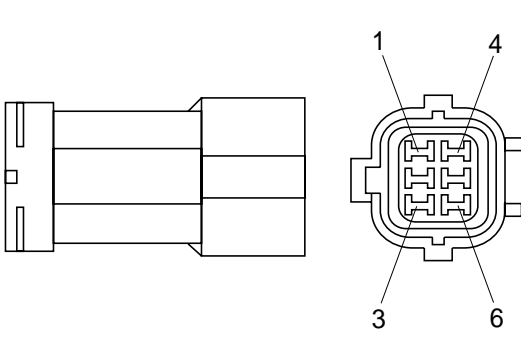
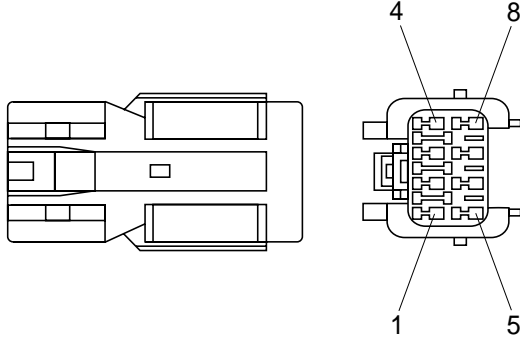
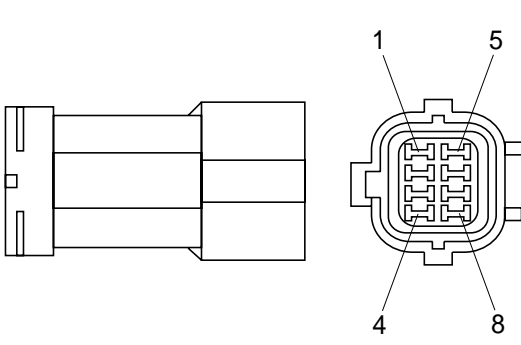
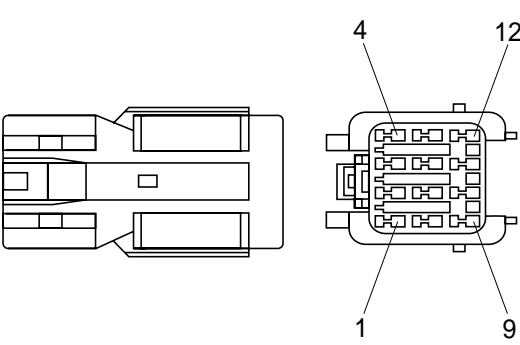
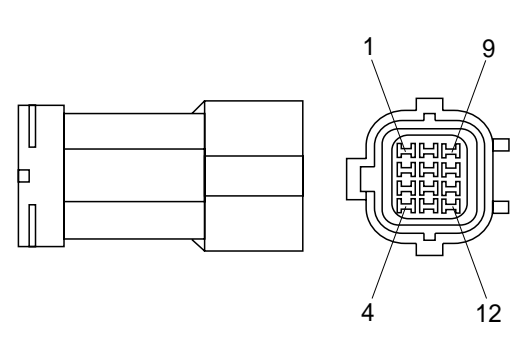
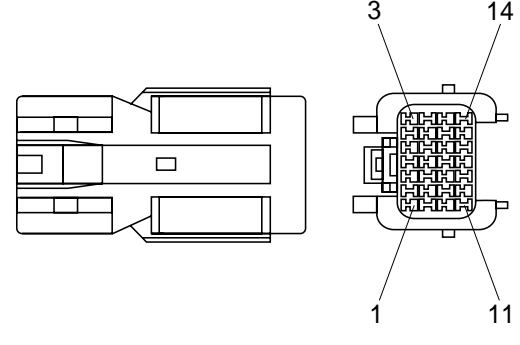
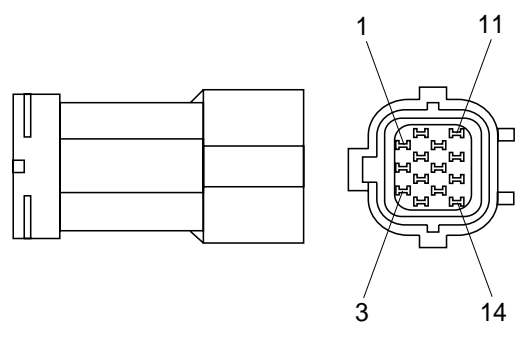
No. of pin	Receptacle connector(Female)	Plug connector(Male)
1	 <p data-bbox="686 678 837 712">S813-060100</p>	 <p data-bbox="1236 678 1388 712">S813-160100</p>
2	 <p data-bbox="686 1081 837 1115">S813-060200</p>	 <p data-bbox="1236 1081 1388 1115">S813-160200</p>
3	 <p data-bbox="686 1485 837 1518">S813-060300</p>	 <p data-bbox="1236 1485 1388 1518">S813-160300</p>
4	 <p data-bbox="686 1888 837 1921">S813-060400</p>	 <p data-bbox="1236 1888 1388 1921">S813-160400</p>

5) J TYPE CONNECTOR

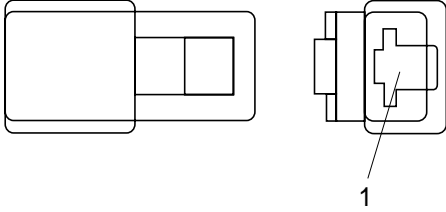
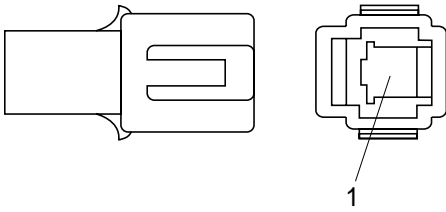
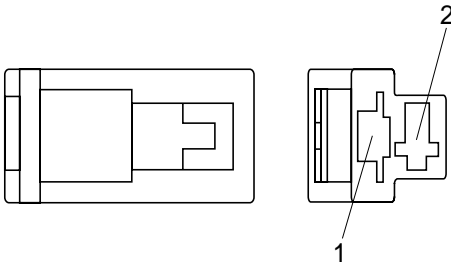
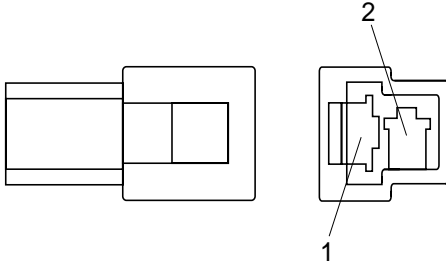
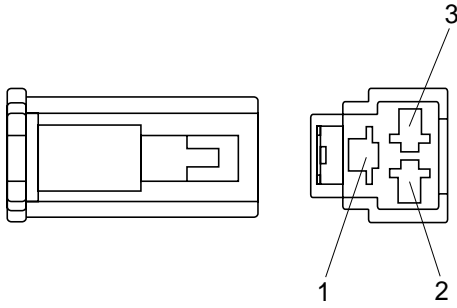
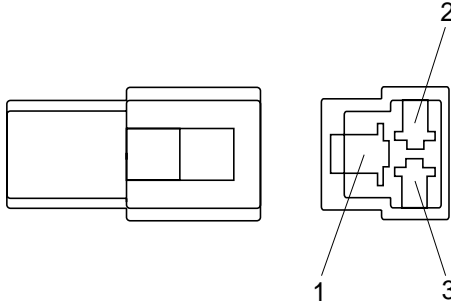
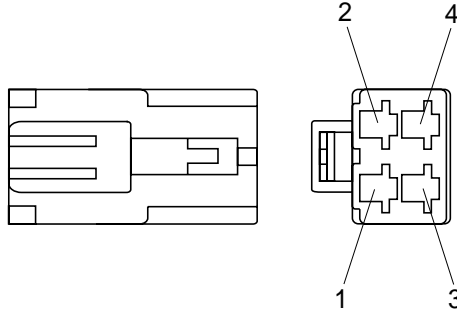
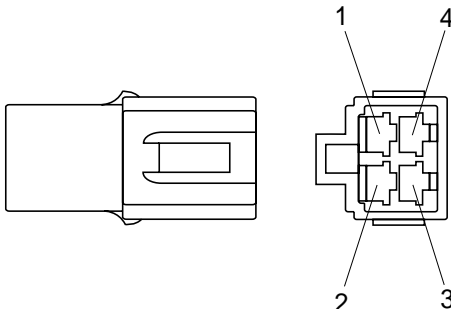
No. of pin	Receptacle connector(Female)	Plug connector(Male)
2	 <p style="text-align: center;">S816-002001</p>	 <p style="text-align: center;">S816-102001</p>
3	 <p style="text-align: center;">S816-003001</p>	 <p style="text-align: center;">S816-103001</p>
4	 <p style="text-align: center;">S816-004001</p>	 <p style="text-align: center;">S816-104001</p>
8	 <p style="text-align: center;">S816-008001</p>	 <p style="text-align: center;">S816-108001</p>

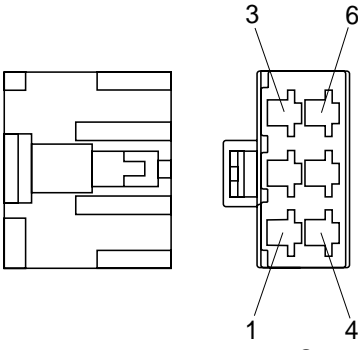
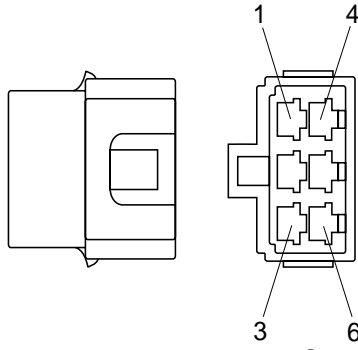
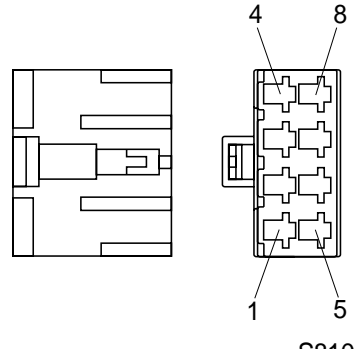
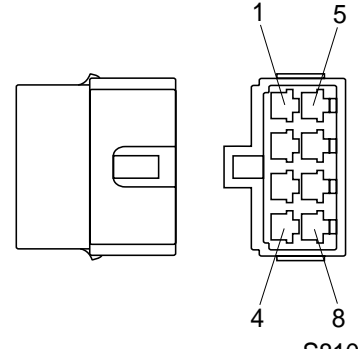
6) SWP TYPE CONNECTOR

No. of pin	Receptacle connector(Female)	Plug connector(Male)
1	 <p data-bbox="686 672 837 705">S814-001000</p>	 <p data-bbox="1236 672 1388 705">S814-101000</p>
2	 <p data-bbox="686 1075 837 1108">S814-002000</p>	 <p data-bbox="1236 1075 1388 1108">S814-102000</p>
3	 <p data-bbox="686 1478 837 1512">S814-003000</p>	 <p data-bbox="1236 1478 1388 1512">S814-103000</p>
4	 <p data-bbox="686 1881 837 1915">S814-004000</p>	 <p data-bbox="1236 1881 1388 1915">S814-104000</p>

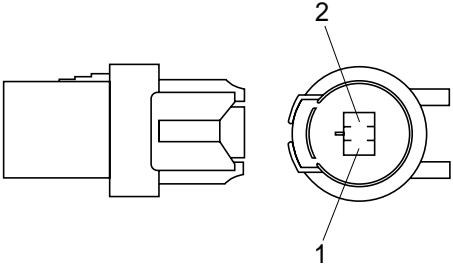
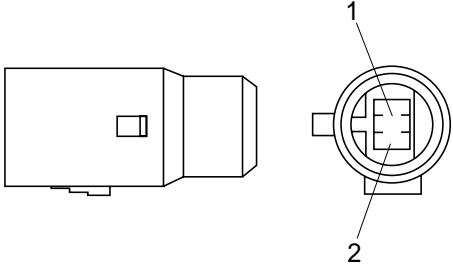
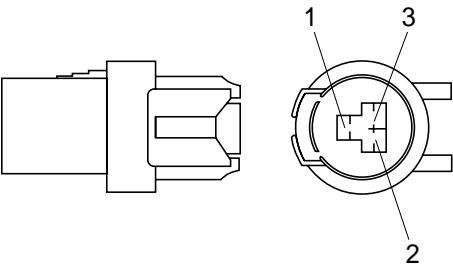
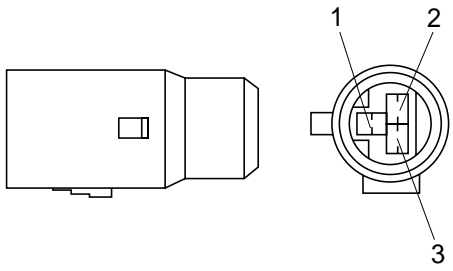
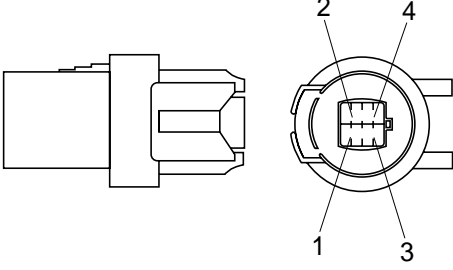
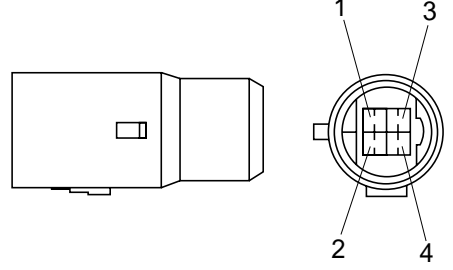
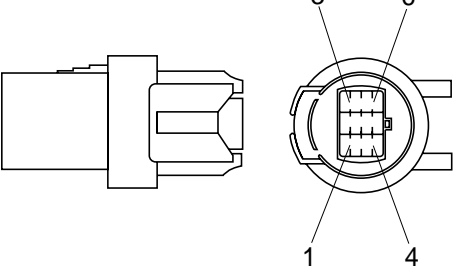
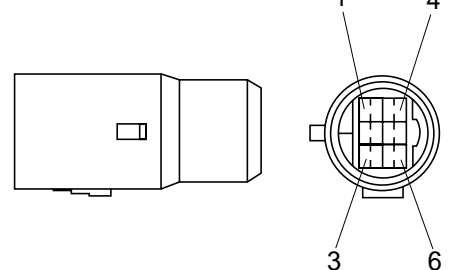
No. of pin	Receptacle connector(Female)	Plug connector(Male)
6	 <p data-bbox="687 680 831 712">S814-006000</p>	 <p data-bbox="1241 680 1385 712">S814-106000</p>
8	 <p data-bbox="687 1090 831 1122">S814-008000</p>	 <p data-bbox="1241 1090 1385 1122">S814-108000</p>
12	 <p data-bbox="687 1500 831 1532">S814-012000</p>	 <p data-bbox="1241 1500 1385 1532">S814-112000</p>
14	 <p data-bbox="687 1910 831 1942">S814-014000</p>	 <p data-bbox="1241 1910 1385 1942">S814-114000</p>

7) CN TYPE CONNECTOR

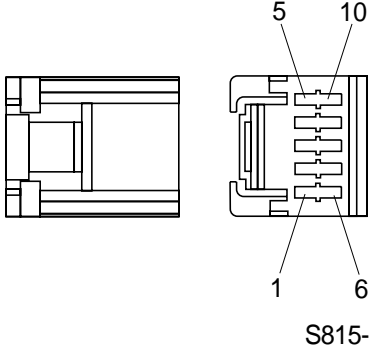
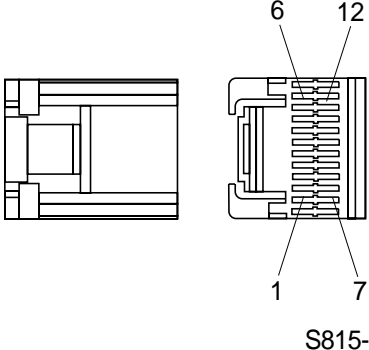
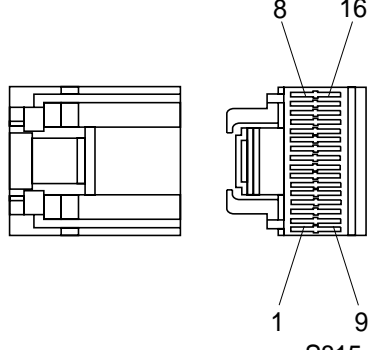
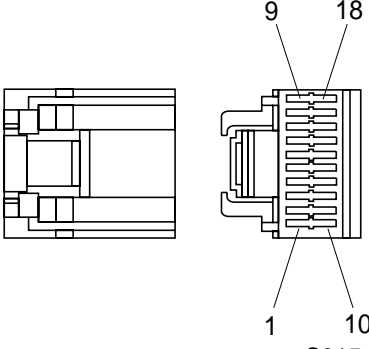
No. of pin	Receptacle connector(Female)	Plug connector(Male)
1	 <p style="text-align: center;">S810-001202</p>	 <p style="text-align: center;">S810-101202</p>
2	 <p style="text-align: center;">S810-002202</p>	 <p style="text-align: center;">S810-102202</p>
3	 <p style="text-align: center;">S810-003202</p>	 <p style="text-align: center;">S810-103202</p>
4	 <p style="text-align: center;">S810-004202</p>	 <p style="text-align: center;">S810-104202</p>

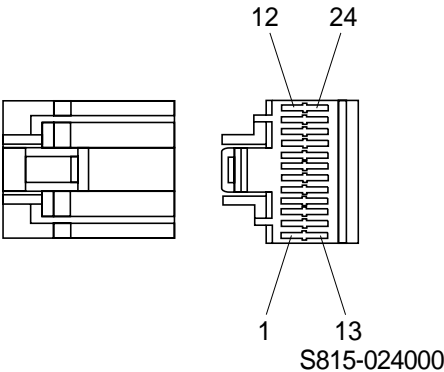
No. of pin	Receptacle connector(Female)	Plug connector(Male)
6	 <p data-bbox="686 683 837 712">S810-006202</p>	 <p data-bbox="1244 683 1396 712">S810-106202</p>
8	 <p data-bbox="686 1097 837 1126">S810-008202</p>	 <p data-bbox="1244 1097 1396 1126">S810-108202</p>

8) BS TYPE CONNECTOR

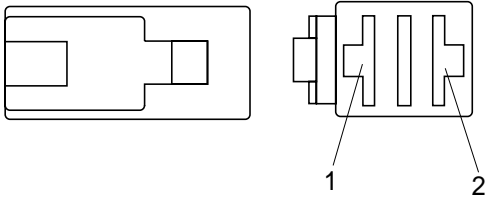
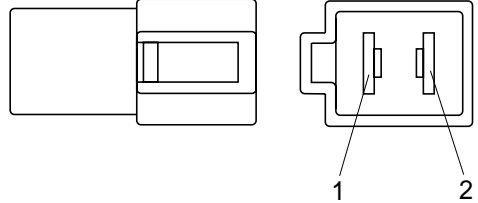
No. of pin	Receptacle connector(Female)	Plug connector(Male)
2	 <p style="text-align: center;">S812-002001</p>	 <p style="text-align: center;">S812-102001</p>
3	 <p style="text-align: center;">S812-003001</p>	 <p style="text-align: center;">S812-103001</p>
4	 <p style="text-align: center;">S812-004001</p>	 <p style="text-align: center;">S812-104001</p>
6	 <p style="text-align: center;">S812-006001</p>	 <p style="text-align: center;">S812-106001</p>

9) LC TYPE CONNECTOR

No. of pin	Receptacle connector(Female)	Plug connector(Male)
10	 <p style="text-align: center;">S815-010000</p>	
12	 <p style="text-align: center;">S815-012000</p>	
16	 <p style="text-align: center;">S815-016000</p>	
18	 <p style="text-align: center;">S815-018000</p>	

No. of pin	Receptacle connector(Female)	Plug connector(Male)
24	 <p style="text-align: center;">S815-024000</p>	

10) 375 FASTEN TYPE CONNECTOR

No. of pin	Receptacle connector(Female)	Plug connector(Male)
2	 <p data-bbox="686 683 837 712">S810-002402</p>	 <p data-bbox="1236 683 1388 712">S810-102402</p>