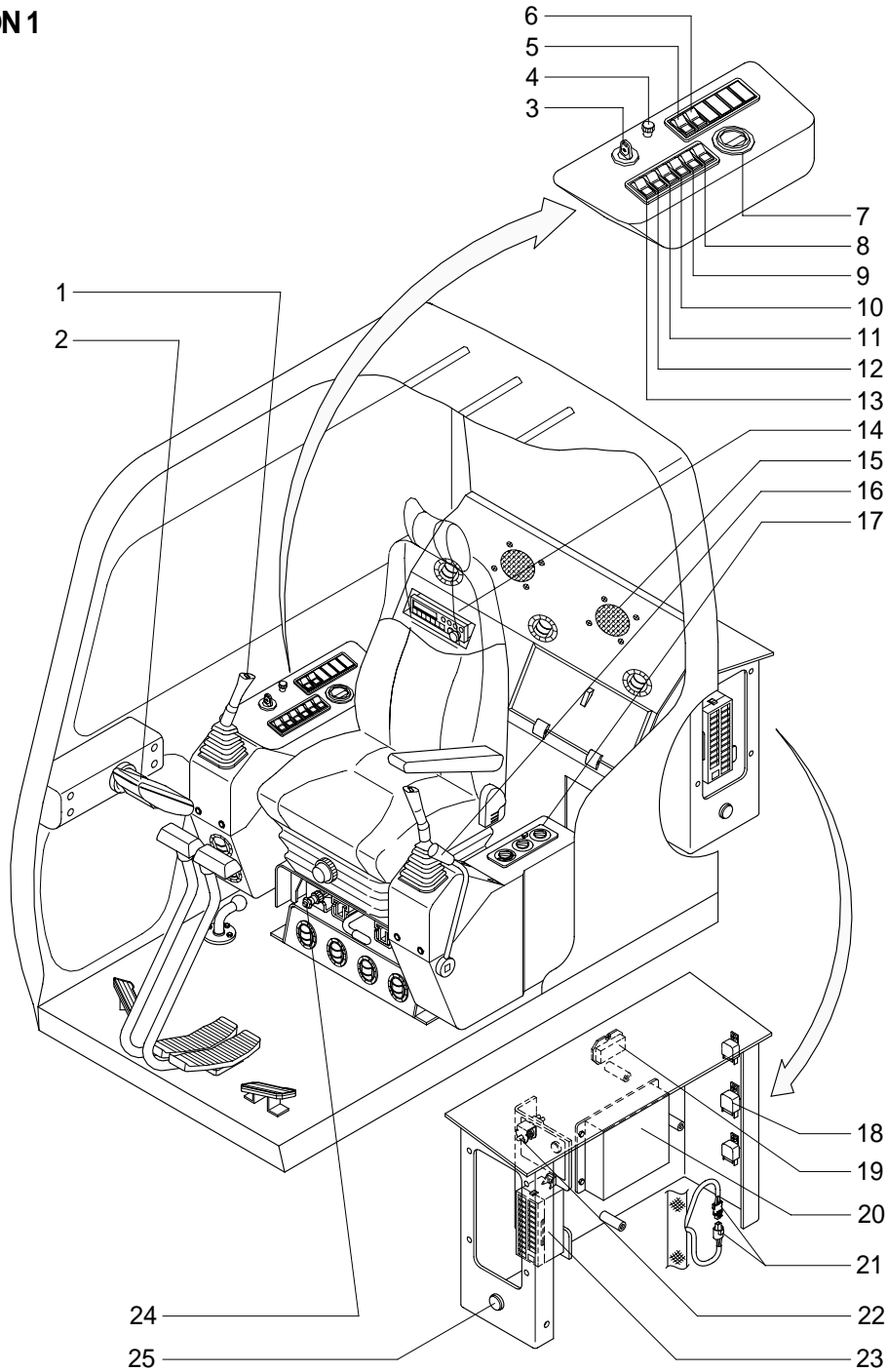


SECTION 4 ELECTRICAL SYSTEM

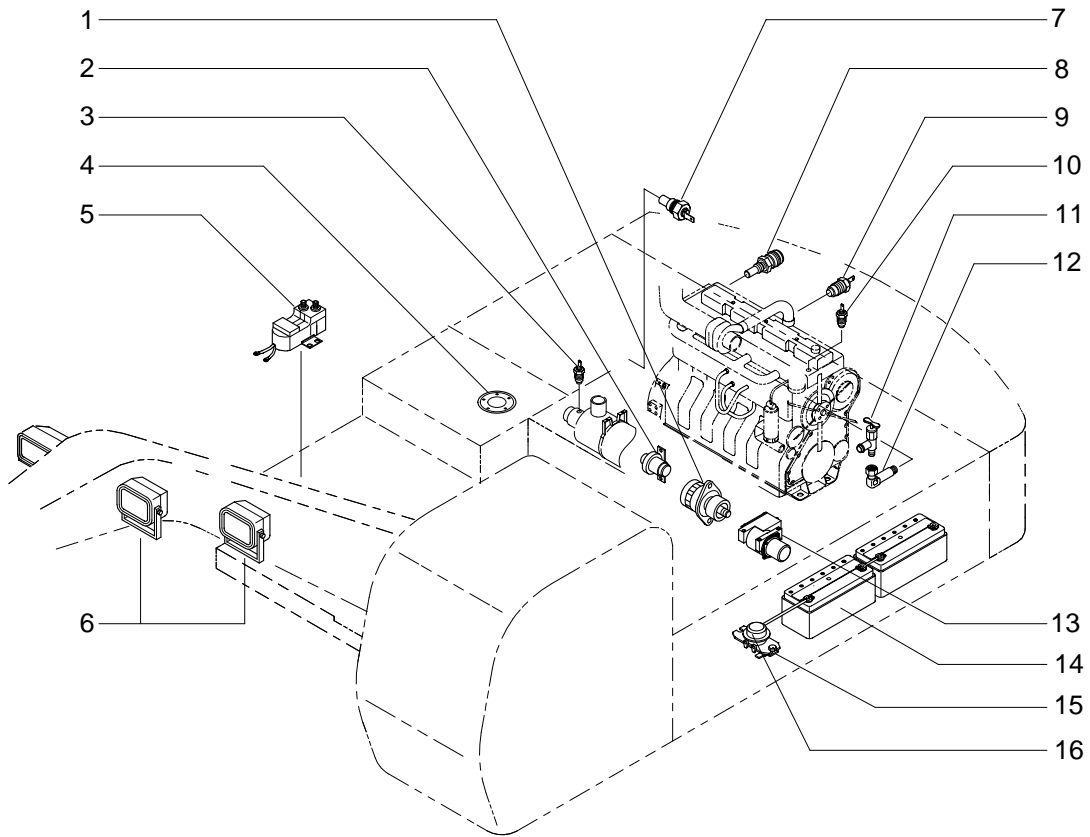
GROUP 1 COMPONENT LOCATION

1. LOCATION 1



- | | | | | | |
|---|---------------------|----|------------------------|----|---|
| 1 | Horn switch | 10 | Arm half switch | 19 | Resistor |
| 2 | Cluster | 11 | Aircon switch | 20 | CPU controller |
| 3 | Starting switch | 12 | Main light switch | 21 | Emergency engine starting connector |
| 4 | Cigar lighter | 13 | Wiper & washer switch | 22 | Prolix switch |
| 5 | Breaker switch | 14 | Cassette & radio | 23 | Fuse box |
| 6 | Beacon switch | 15 | Speaker | 24 | Emergency engine control lever
(Push pull cable) |
| 7 | Service meter | 16 | Safety lever | 25 | Master switch |
| 8 | Travel alarm switch | 17 | Aircon & heater switch | | |
| 9 | Cold start switch | 18 | Relay | | |

2. LOCATION 2



- | | | | | | |
|---|--------------------|----|----------------------------|----|-----------------|
| 1 | Alternator | 7 | Hyd temperature sender | 13 | Accel actuator |
| 2 | Start relay | 8 | Engine speed sensor | 14 | Battery |
| 3 | Air cleaner switch | 9 | Engine oil pressure switch | 15 | Connector plate |
| 4 | Fuel sender | 10 | Water temperature sender | 16 | Battery relay |
| 5 | Fuel filler pump | 11 | Heater valve | | |
| 6 | Lamp | 12 | Heater adapter | | |