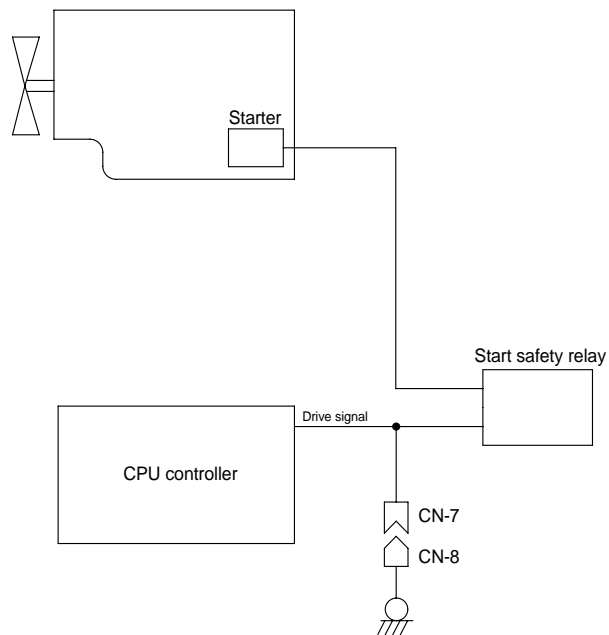


GROUP 9 ANTI-RESTART SYSTEM



1. ANTI-RESTART FUNCTION

After 10 seconds from the engine starts to run, CPU controller turns off the start safety relay to protect the starter from inadvertent restarting.

2. When a replacement or taking-off of the CPU controller is needed, connect CN-7 and CN-8 to ensure the engine start without the CPU controller.