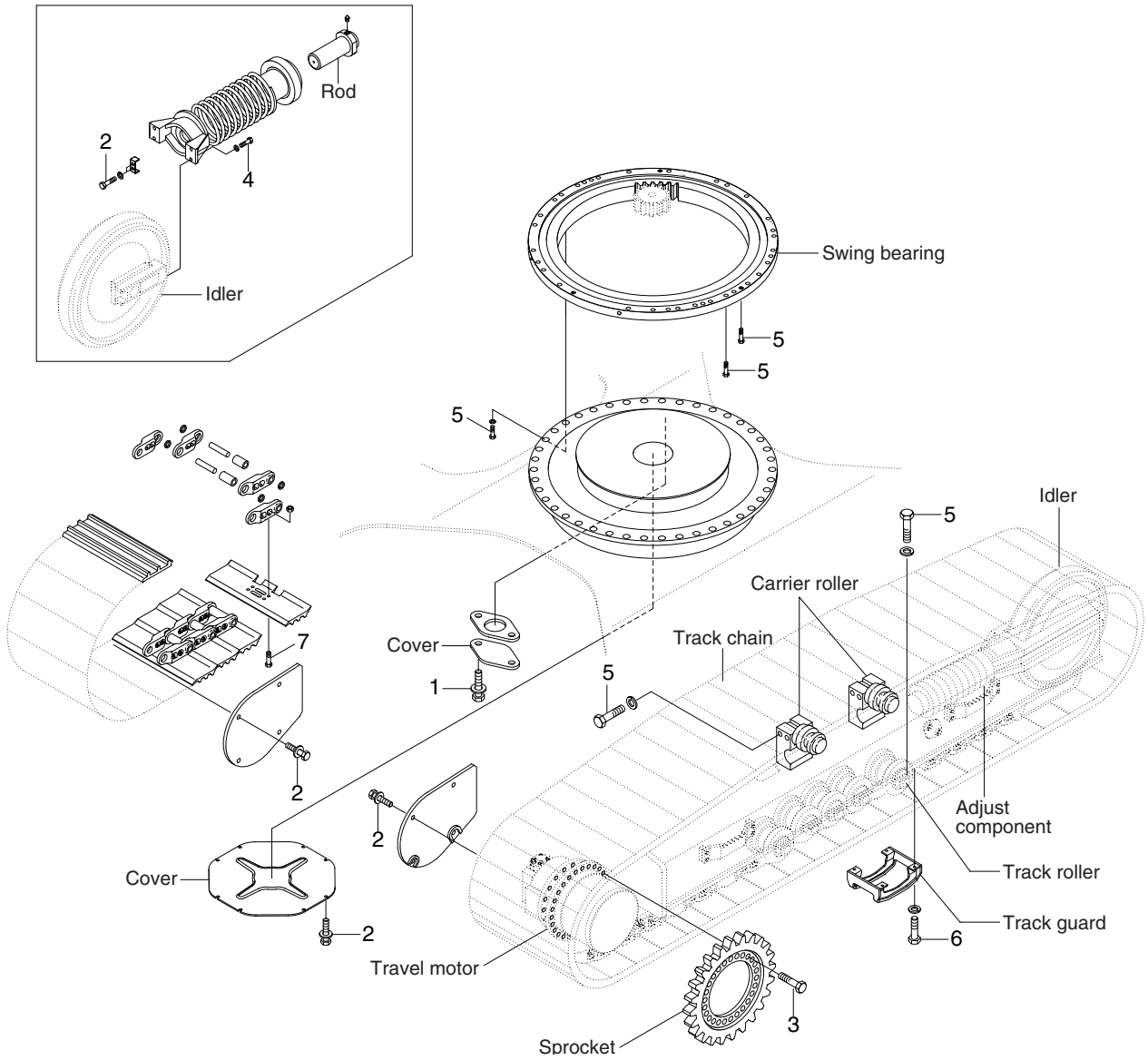


GROUP 5 UNDERCARRIAGE

ADJUST COMPONENT



1609S9CM08

·Tightening torque

Item	Size	kgf·m	lbf·ft
1	M10×1.5	6.9±1.4	49.9±10.1
2	M12×1.75	12.8±3.0	92.6±21.7
3	M16×2.0	21.9±3.3	158±23.9
4	M16×2.0	29.7±3.0	215±21.7

Item	Size	kgf·m	lbf·ft
5	M20×2.5	57.9±6.0	419±43.4
6	M20×2.5	57.9±8.7	419±62.9
7	5/8-18UNF	42±4.0	304±28.9
-	-	-	-