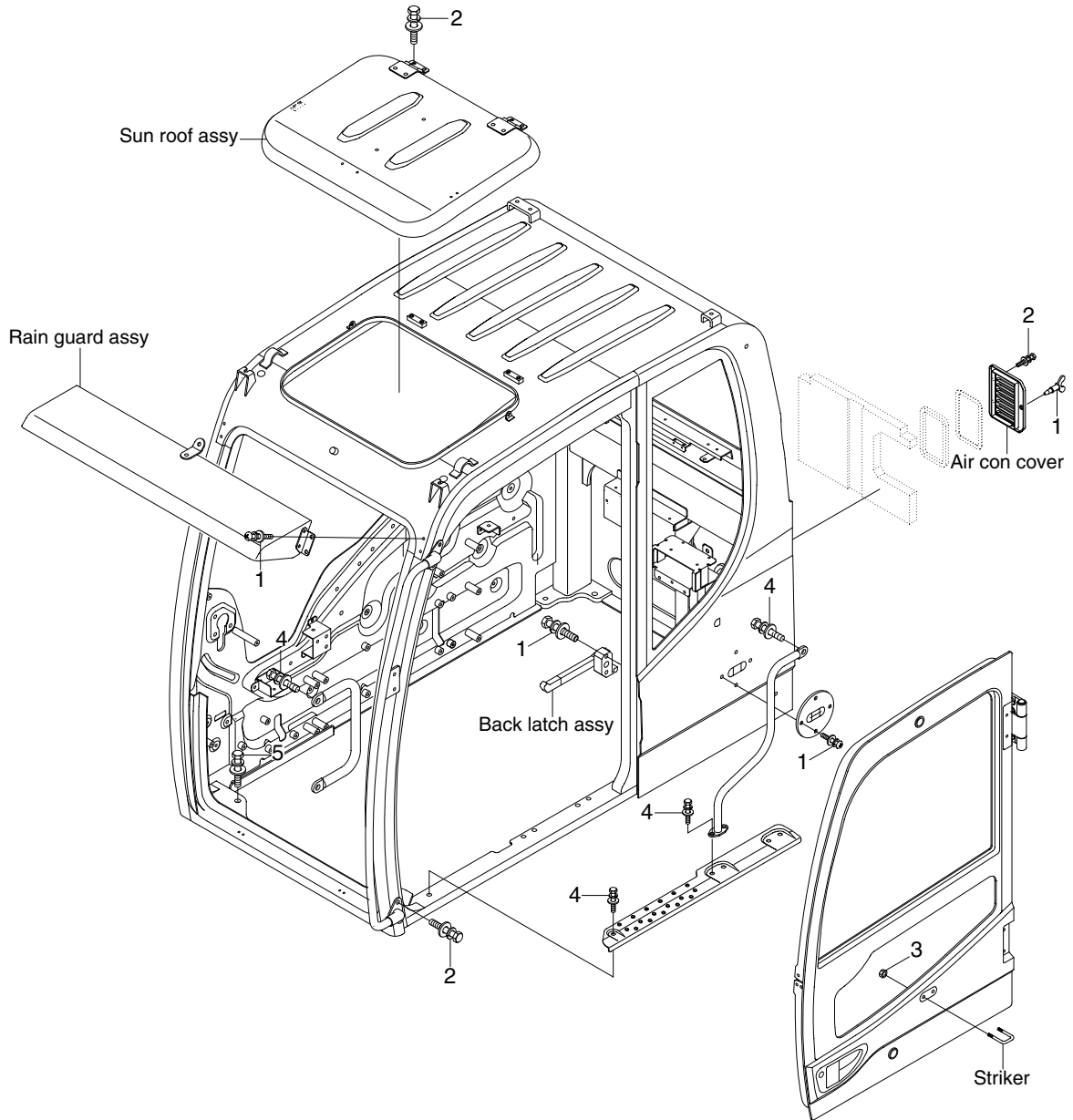


# GROUP 6 STRUCTURE

## 1. CAB AND ACCESSORIES MOUNTING



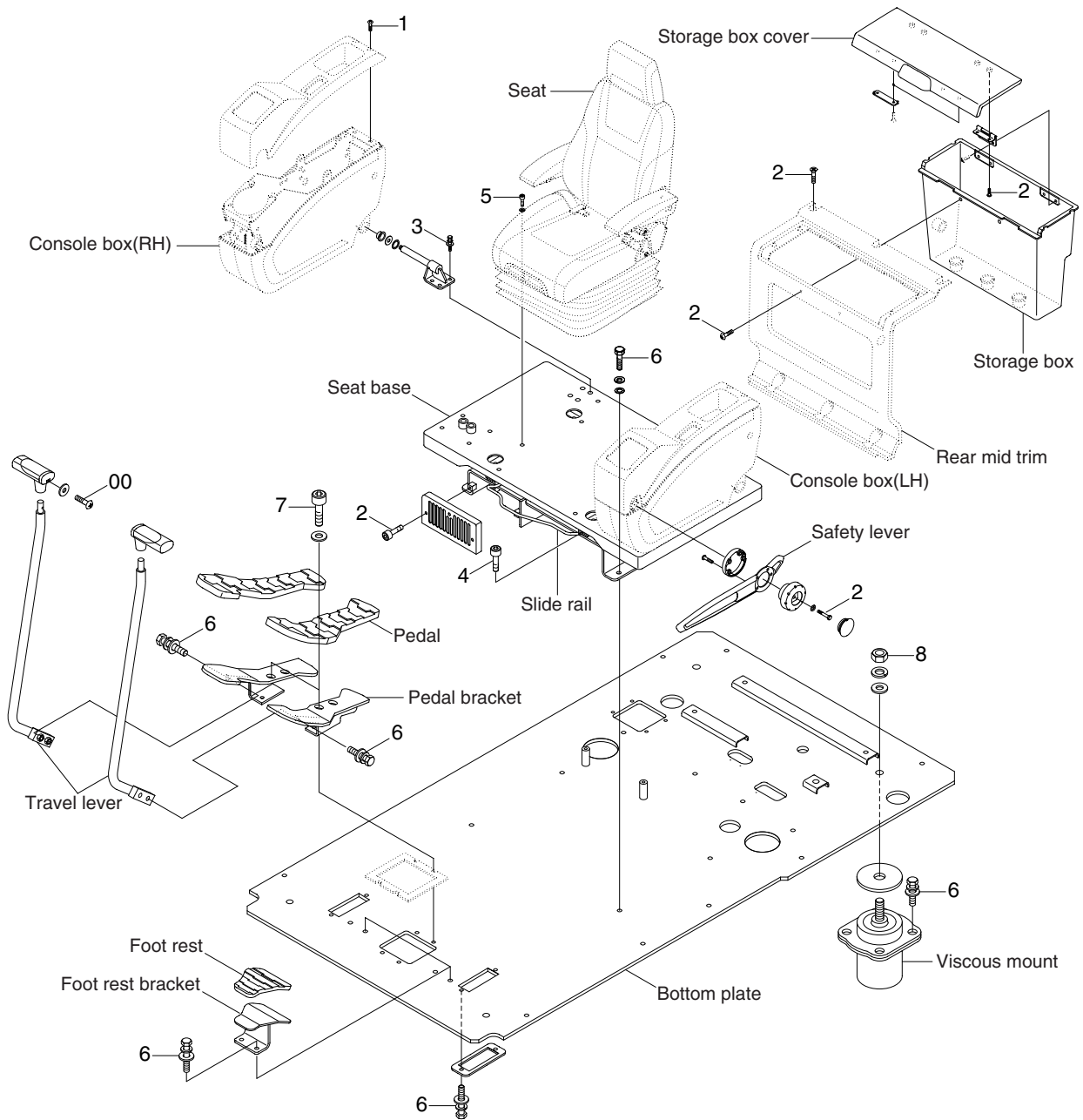
1609S9CM09

### · Tightening torque

Item	Size	kgf · m	lbf · ft
1	M 6×1.0	1.44±0.3	10.4±2.2
2	M 8×1.25	2.5±0.5	18.1±3.6
3	M10×1.5	4.7±0.9	34±6.5

Item	Size	kgf · m	lbf · ft
4	M10×1.5	6.9±1.4	49.9±10.1
5	M12×1.75	12.8±3.0	92.6±21.7
-	-	-	-

## 2. CAB INTERIOR MOUNTING



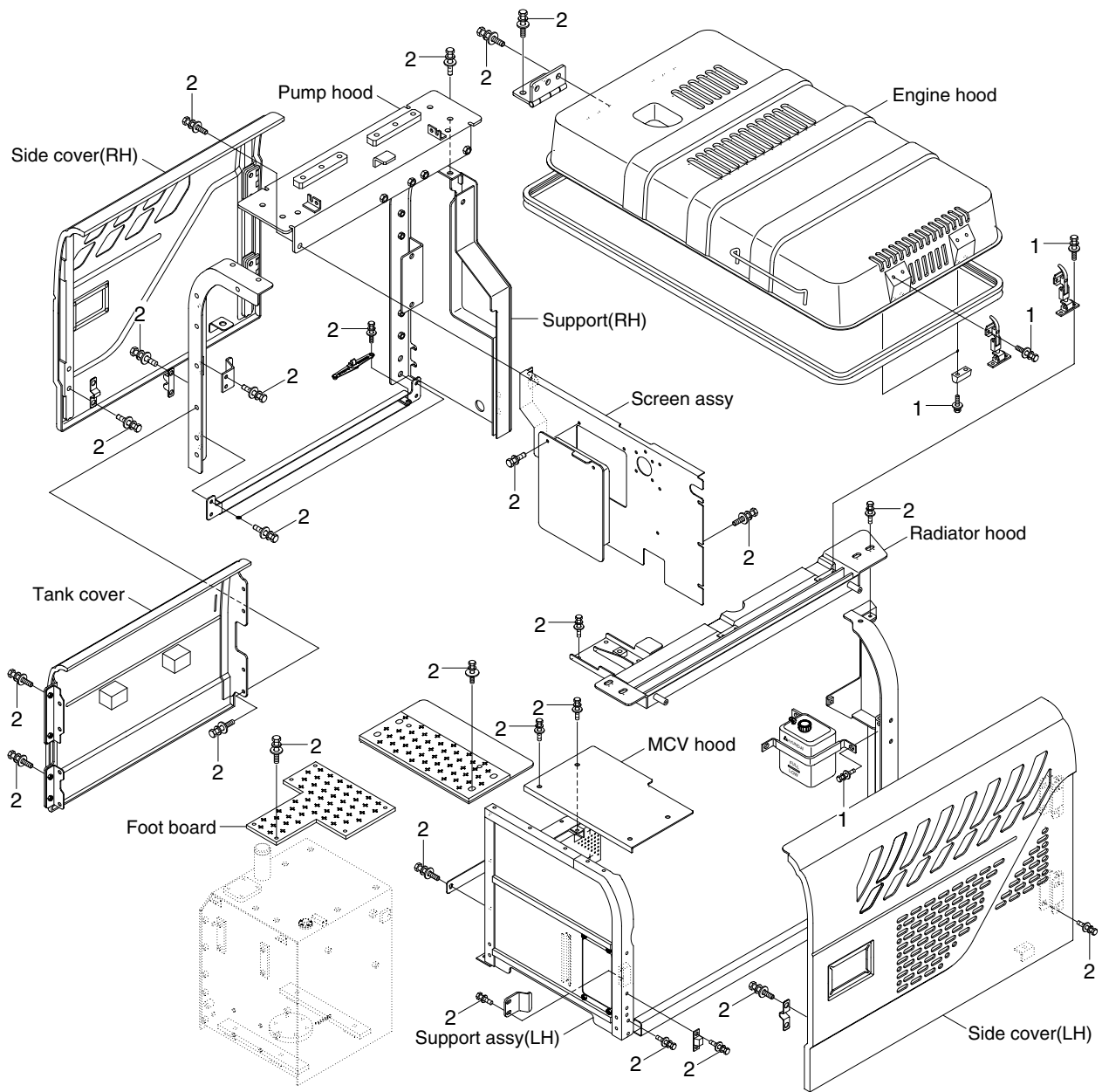
1609S9CM10

### · Tightening torque

Item	Size	kgf · m	lbf · ft
1	M 6×1.0	0.49±0.1	3.5±0.7
2	M 6×1.0	1.05±0.2	7.6±1.4
3	M 8×1.25	2.5±0.5	18.1±3.6
4	M 8×1.25	3.43±0.7	24.8±5.1

Item	Size	kgf · m	lbf · ft
5	M 8×1.25	4.05±0.8	29.3±5.8
6	M10×1.5	6.9±1.4	49.9±10.1
7	M10×1.5	8.3±1.7	60.0±12.3
8	M16×2.0	29.7±4.5	215±32.5

### 3. COWLING MOUNTING

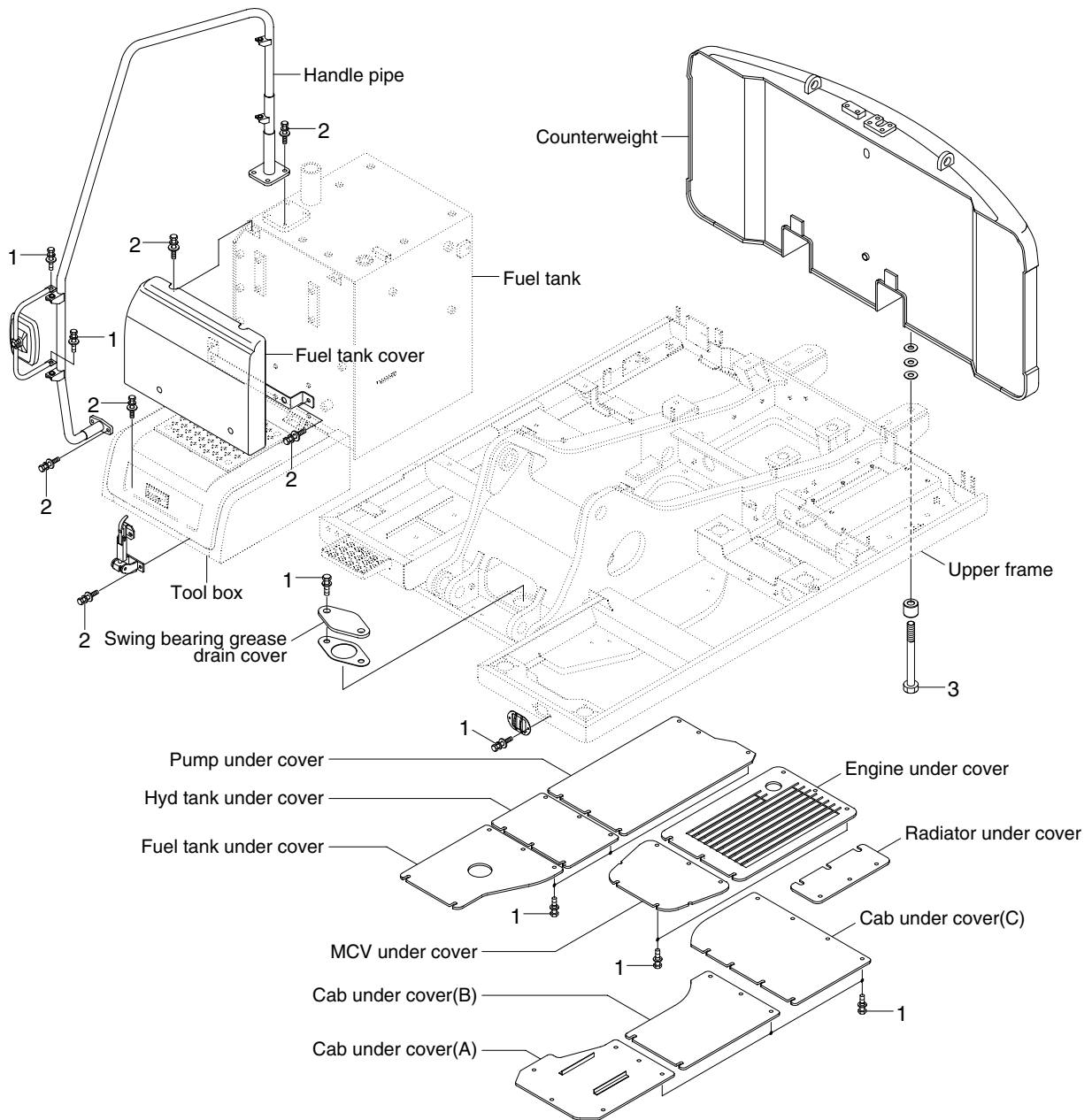


1609S9CM11

#### · Tightening torque

Item	Size	kgf · m	lbf · ft
1	M 8 × 1.25	1.05 ± 0.2	7.6 ± 1.4
2	M12 × 1.75	12.8 ± 3.0	92.6 ± 21.7

## 4. COUNTERWEIGHT AND COVERS MOUNTING



1609S9CM12

### · Tightening torque

Item	Size	kgf · m	lbf · ft
1	M10×1.5	6.9±1.4	49.9±10.1
2	M12×1.75	12.8±3.0	92.6±21.7
3	M30×3.0	199±30	1439±217