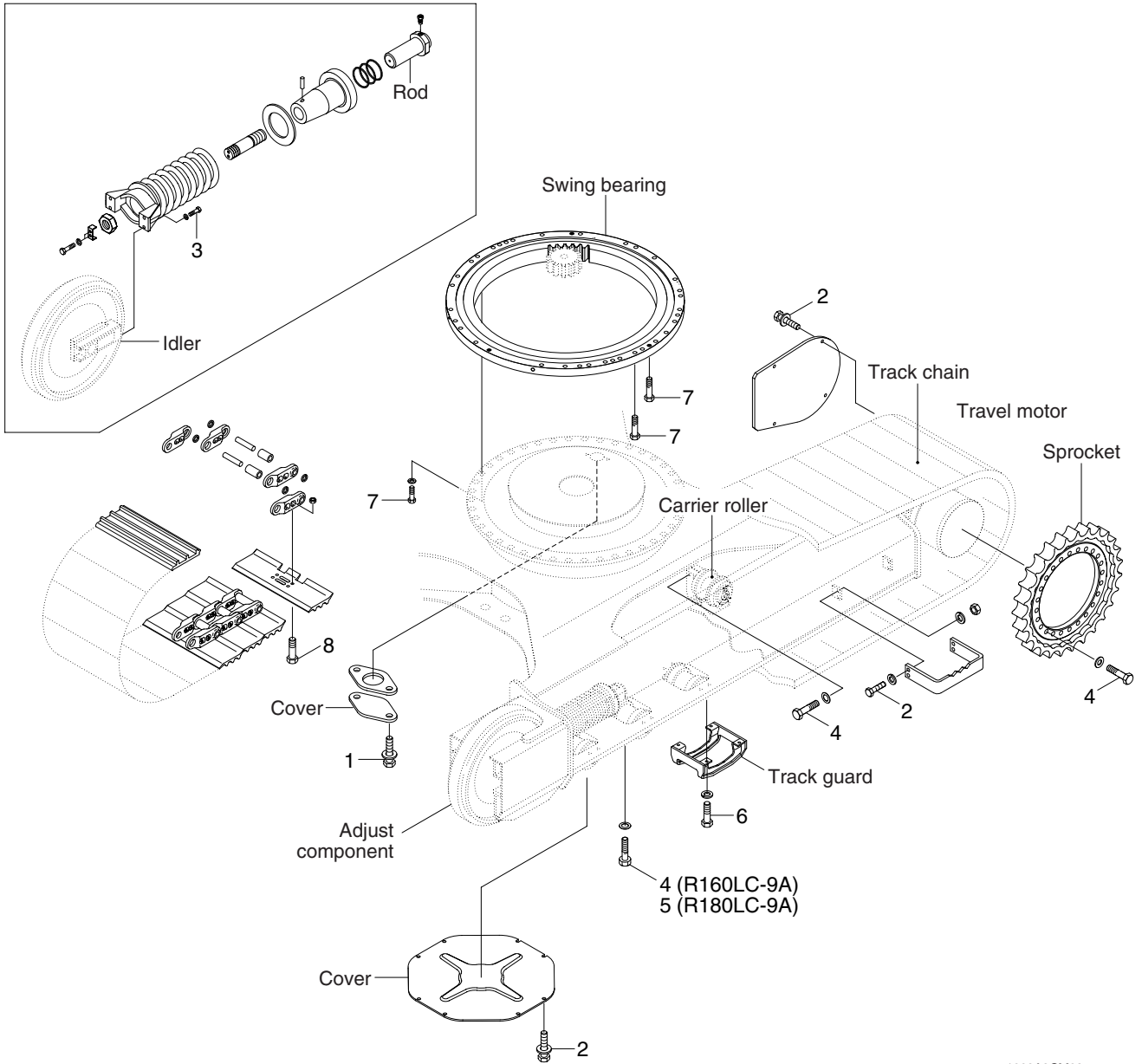


# GROUP 5 UNDERCARRIAGE

## ADJUST COMPONENT



1609A9CM08

### · Tightening torque

Item	Size	kgf · m	lbf · ft
1	M10×1.5	6.9±1.4	49.9±10.1
2	M12×1.75	12.8±3.0	92.6±21.7
3	M16×2.0	21.9±3.3	158±23.9
4	M16×2.0	29.7±3.0	215±21.7

Item	Size	kgf · m	lbf · ft
5	M20×2.5	57.9±6.0	419±43.4
6	M20×2.5	57.9±8.7	419±62.9
7	M20×2.5	58±6.3	420±45.6
8	5/8-18UNF	42±4.0	304±28.9