

GROUP 4 CONNECTORS

1. CONNECTOR DESTINATION

Connector number	Type	No. of pin	Destination	Connector part No.	
				Female	Male
CN-1	AMP	10	I/conn (Frame harness-Pump PS harness)	S816-010002	S816-110002
CN-2	AMP	20	I/conn (Frame harness-Engine harness)	936777-2	936780-2
CN-3	AMP	26	I/conn (Frame harness-Engine harness)	1897009-2	1897013-2
CN-4	AMP	16	I/conn (Console harness LH-Frame harness)	368047-1	368050-1
CN-5	DEUTSCH	60	I/conn (Side harness RH-Frame harness)	DRB16-60SAE-L018	DRB14-60PAE-L018
CN-7	AMP	16	I/conn (Console harness RH-Frame harness)	368047-1	368050-1
CN-8	AMP	12	I/conn (Console harness RH-Frame harness)	S816-012002	S816-112002
CN-10	DEUTSCH	12	I/conn (Cab harness-Side harness RH)	DT06-12S-EP06	DT04-12P-BE02
CN-11	DEUTSCH	8	I/conn (Frame harness-Aircon harness)	DT06-8S	-
CN-12	DEUTSCH	2	I/conn (Frame harness-Boom wire harness)	DT06-2S-EP06	DT04-2P-E005
CN-15	AMP	12	I/conn (Frame harness-Two way harness)	S816-012002	S816-112002
CN-16	AMP	6	Emergency engine start & speed control	S816-006002	S816-106002
CN-17	AMP	8	I/conn (Wiper harness)	S816-006002	S816-108202
CN-20	MOLEX	2	Horn	36825-0211	-
CN-21	AMP	6	Wiper motor	S816-006202	-
CN-22	KET	2	Washer pump	MG640605	-
CN-23	KET	2	Speaker-LH	MG610070	-
CN-24	KET	2	Speaker-RH	MG610070	-
CN-25	MOLEX	2	Horn	36825-0211	-
CN-27	KUM	16	Radio & USB player	PK145-16017	-
CN-27A	AMP	8	USB player	S816-008002	S816-108002
CN-28	KUM	1	Aircon compressor	NMWP01F-B	-
CN-29	KET	2	Receiver dryer	MG640795	-
CN-36	-	-	Fuse box	21Q7-10920	-
CN-45	RING-TERM	-	Starter motor B ⁺	S820-308000	-
CN-48	KET	1	Service meter	2-520193-2	-
CN-51	DEUTSCH	40	MCU	DRC26-40SA	-
CN-52	DEUTSCH	40	MCU	DRC26-40SB	-
CN-53	DEUTSCH	40	MCU	DRC26-40SC	-
CN-56	AMP	8	Cluster	-	S816-108002
CN-60	YAZAKI	2	Circuit breaker	-	S813-130201
CN-61	DEUTSCH	2	Fuel filler pump	DT06-2S-EP06	-
CN-66	DEUTSCH	2	Breaker solenoid	DT06-2S-EP06	-
CN-68	DEUTSCH	2	Safety solenoid	DT06-2S-EP06	-
CN-70	DEUTSCH	2	Travel high solenoid	DT06-2S-EP06	-
CN-74	RING-TERM	-	Alternator "L" terminal	-	S820-105000

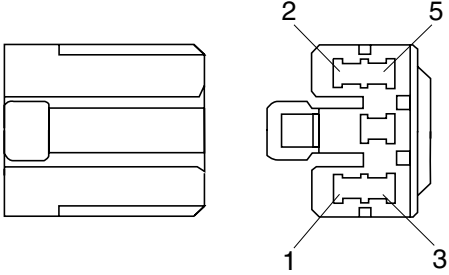
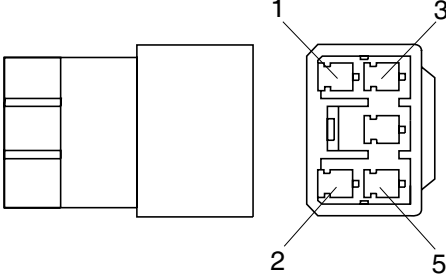
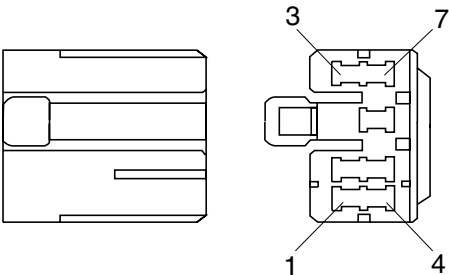
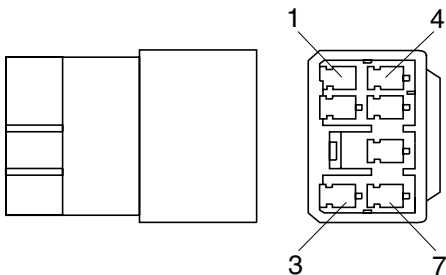
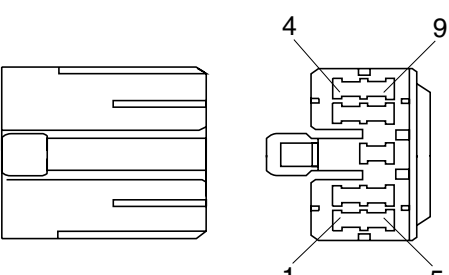
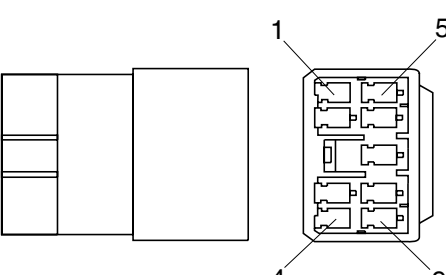
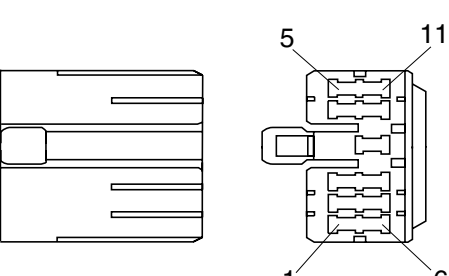
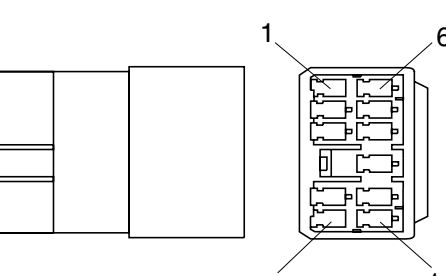
Connector number	Type	No. of pin	Destination	Connector part No.	
				Female	Male
CN-75	AMP	2	Pump EPPR	S816-002002	-
CN-80	RING-TERM	-	Glow plug	S820-306000	-
CN-81	DEUTSCH	2	Travel buzzer solenoid	DT06-2S-EP06	-
CN-88	DEUTSCH	2	Power max solenoid	DT06-2S-EP06	-
CN-93	DEUTSCH	64	Engine ECM	776469-1	-
CN-95	AMP	2	Circuit breaker	-	S813-130201
CN-96	AMP	4	Fuel warmer	15300027	-
CN-113	KET	2	Buzzer	MG651205-5	-
CN-116	AMP	12	Switch panel	176116	-
CN-125	Econoseal J	4	GPS connector	S816-004002	S816-104002
CN-126	AMP	10	Service tool	S816-010002	S816-110002
CN-133	DEUTSCH	2	Boom priority solenoid	DT06-2S-EP06	-
CN-135	DEUTSCH	2	Arm regeneration solenoid	DT06-2S-EP06	-
CN-138	FASTEN	3	DC/DC Converter	S810-003202	-
CN-139	FASTEN	2	12V socket	172434-2	-
CN-140	DEUTSCH	2	Quick clamp solenoid	DT06-2S-EP06	DT04-2P-E005
CN-141	AMP	13	Wiper motor controller	172498-1	DT04-3P-EP10
CN-142	DEUTSCH	3	Accel dial	DT06-3S-EP06	-
CN-144	KET	20	Handsfree	MG610240	-
CN-145	DEUTSCH	2	Fuel pump	DT06-2S-EP06	-
CN-149	DEUTSCH	2	Attach safety solenoid	DT06-2S-EP06	-
CN-156	DEUTSCH	2	Air seat	DT04-2S-E005	DT06-2P-EP06
CN-157	AMP	1	Antena power	S822-014002	-
CN-170	AMP	2	Heated seat	S816-002002	S816-102002
CN-173	AMP	2	Resistor	S816-002002	-
CN-231	DEUTSCH	2	I/conn (Master switch-Fuse box)	S813-030201	
CN-236	DEUTSCH	2	Attach pressure solenoid	DT06-2S-EP06	-
CN-237	DEUTSCH	2	Attach conflux solenoid	DT06-2S-EP06	-
CN-242	DEUTSCH	2	Attach flow solenoid	DT06-2S-EP06	DT04-2P-E005
CN-244	DEUTSCH	3	CAN 2	-	DT04-3P-EP06
CN-245	AMP	12	Remote controller assy	368542-1	-
CN-246	AMP	12	USB & Socket assy	174045-2	-
CN-249	AMP	4	Rear view camera	S816-004002	S816-104002
CN-255	AMP	12	PTC power	S813-030201	-
CN-259	AMP	6	Camera	S816-006002	-
CN-262	DEUTSCH	2	Straight travel solenoid	DT06-2S-EP06	-
CN-263	DEUTSCH	2	Adjust boom solenoid	DT06-2S-EP06	-
CN-279	AMP	2	Accel dial LED	S816-002002	S816-102002

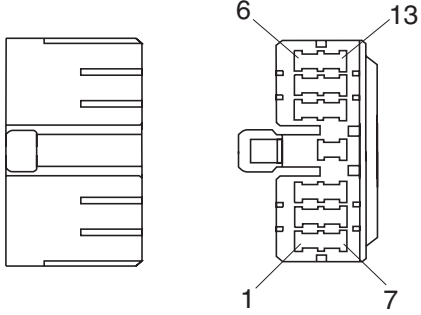
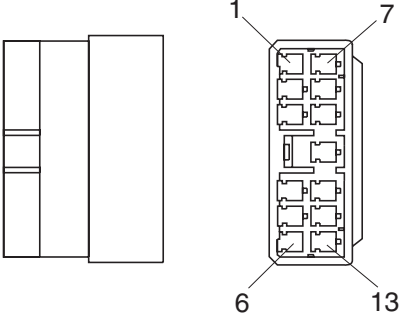
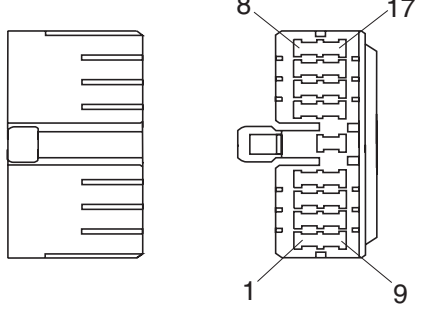
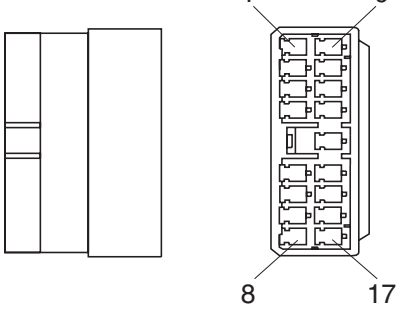
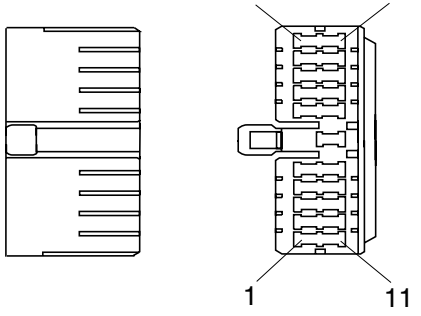
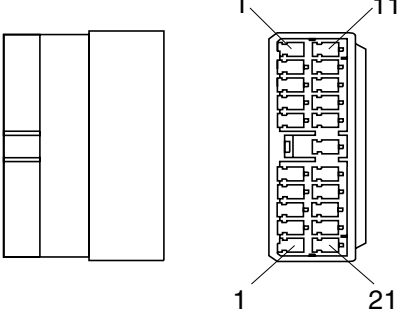
Connector number	Type	No. of pin	Destination	Connector part No.	
				Female	Male
· Relay					
CR-1	RING-TERM	-	Battery relay	ST710285-2	-
CR-2	-	5	Horn relay	-	-
CR-4	-	5	Work lamp relay	BJA003526-001	-
CR-5	-	5	Anti restart relay	-	-
CR-7	-	5	Aircon compressor relay	BJA003526-001	-
CR-9	-	5	Cabin lamp relay	BJA003526-001	-
CR-13	-	5	Head lamp relay	BJA003526-001	-
CR-23	RING TERM	-	Start relay	S814-002001	S814-102001
CR-24	RING TERM	-	Preheat relay	S822-014000	-
CR-35	-	5	Power relay	-	-
CR-36	-	5	Preheat relay	-	-
CR-45	AMP	5	ECM power relay	BJA003526-001	24L1-05100
CR-46	-	5	Fuel warmer relay	BJA003526-001	-
CR-62	-	5	Breaker relay	BJA003526-001	-
· Switch					
CS-1	SHUR	1	Door switch	S822-014002	S822-114002
CS-2	WP	6	Start key switch	S816-006100	-
CS-4	DEUTSCH	3	Safety switch	DT06-3S-EP06	-
CS-5	DEUTSCH	2	Horn switch	-	DT04-2P-E005
CS-19	DEUTSCH	2	One touch decel switch	-	DT04-2P-E005
CS-23	SWF	12	Beacon lamp switch	SWF589790	-
CS-26	DEUTSCH	2	Breaker switch	DT06-2S-EP06	-
CS-26A	AMP	2	Breaker pedal switch	S816-002002	S816-102002
CS-33	AMP	6	Emergency engine stop switch	S816-006002	S816-106002
CS-29	DEUTSCH	2	Power max switch	DT06-2S-EP06	-
CS-50	SWF	12	Overload switch	SWF589790	-
CS-52	SWF	12	Econo switch	SWF589790	-
CS-53	AMP	1	Wiper cut switch	S822-014002	-
CS-67	SWF	12	Quick clamp switch	SWF 589790	-
CS-73	SWF	12	Reverse fan	SWF 589790	-
CS-74A	DEUTSCH	2	Master switch	DT06-2S-EP06	-
CS-74B	AMP	2	Master switch	S813-030201	-
CS-82	SWF	12	Heated seat switch	SWF 589790	-
CS-83	SWF	12	Spare switch	SWF 589790	-
CS-99	SWF	12	Air compressor switch	SWF 589790	-
CS-100	SWF	12	Spare switch	SWF 589790	-

Connector number	Type	No. of pin	Destination	Connector part No.	
				Female	Male
· Light					
CL-1	KET	3	Room lamp	MG651032	-
CL-2	AMP	1	Cigar light	S822-014002	S822-114002
CL-3	DEUTSCH	2	Head lamp-LH	DT06-2S-EP06	DT04-2P-E005
CL-4	DEUTSCH	2	Head lamp-RH	DT06-2S-EP06	DT04-2P-E005
CL-5	AMP	2	Work lamp-LH	180923-0	-
CL-6	AMP	2	Work lamp-RH	180923-0	-
CL-7	SHUR	1	Beacon lamp	S822-014002	S822-114002
CL-8	DEUTSCH	2	Front cab light-LH	DT06-2S-EP06	DT04-2P
CL-9	DEUTSCH	2	Front cab light-RH	DT06-2S-EP06	DT04-2P
CL-10	DEUTSCH	2	Rear cab light-LH	DT06-2S-EP06	DT04-2P
CL-24	DEUTSCH	2	Work lamp-rear	DT06-2S-EP06	DT04-2P-E005
· Sensor, sensor					
CD-1	AMP	2	Hydraulic oil temp sender	85202-1	-
CD-2	DEUTSCH	2	Fuel level sender	DT06-2S-EP06	-
CD-6	DEUTSCH	3	Travel pressure sensor	DT06-3S-EP06	-
CD-7	DEUTSCH	3	Working pressure sensor	DT06-3S-EP06	-
CD-10	AMP	4	DPF inlet temp sensor	776487-2	-
CD-10A	AMP	2	Air cleaner switch	85202-1	-
CD-16	DELPHI	3	Water level sensor	12110293	-
CD-24	DEUTSCH	3	Swing sensor	DT06-3S-EP06	-
CD-31	DEUTSCH	3	Overload sensor	DT06-3S-EP06	-
CD-32	DEUTSCH	3	Boom up sensor	DT06-3S-EP06	-
CD-35	DEUTSCH	3	Arm & bucket in sensor	DT06-3S-EP06	-
CD-42	DEUTSCH	3	Pump pressure 1	DT06-3S-EP06	-
CD-43	DEUTSCH	3	Pump pressure 2	DT06-3S-EP06	-
CD-44	DEUTSCH	3	Pump pressure 3	DT06-3S-EP06	-
CD-45	AMP	3	WIF sensor	776429-3	-
CD-50	KET	2	Dozer pressure switch	MG640795	-
CD-69	DEUTSCH	3	Attach pressure sensor	DT06-3S-EP06	-
CD-70	DEUTSCH	3	N1 pressure sensor	DT06-3S-EP06	-
CD-71	DEUTSCH	3	N2 pressure sensor	DT06-3S-EP06	-
CD-97	AMP	6	Aftertreatment	776433-3	-
CD-98	AMP	2	Air intake temp sensor	776427-1	-
CD-107	AMP	6	DPF soot sensor	776433-3	-

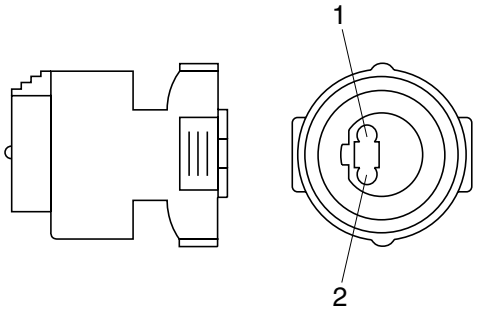
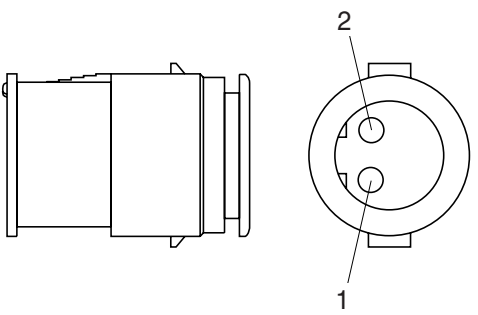
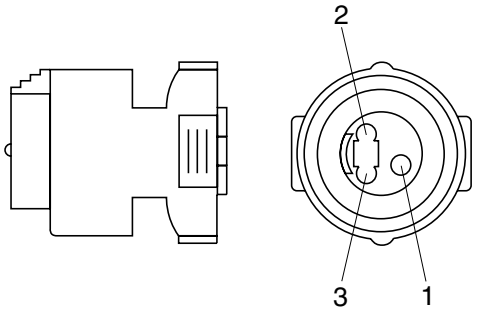
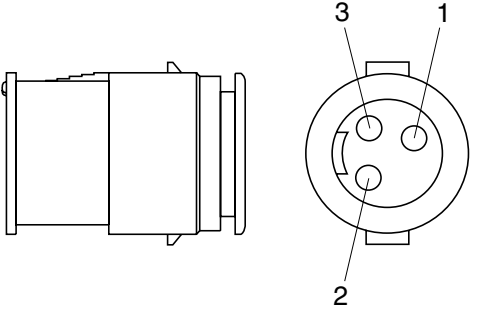
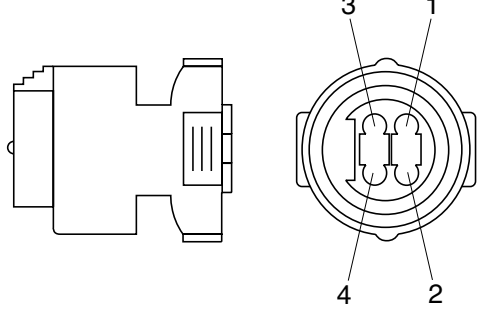
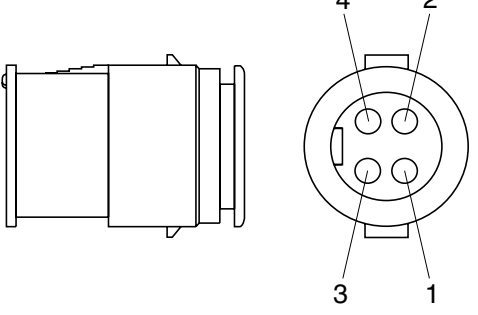
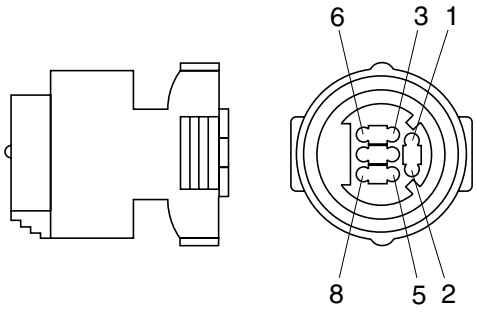
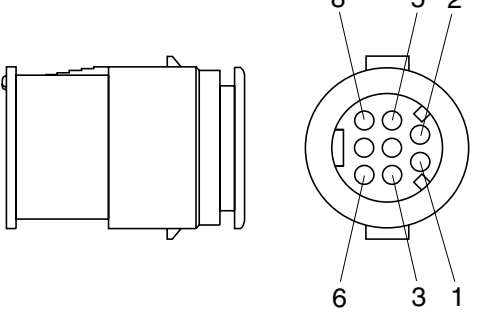
2. CONNECTION TABLE FOR CONNECTORS

1) PA TYPE CONNECTOR

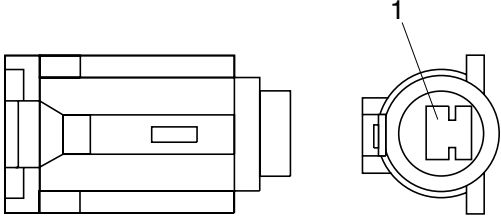
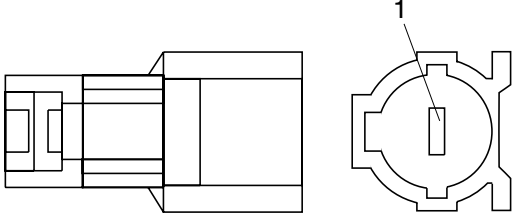
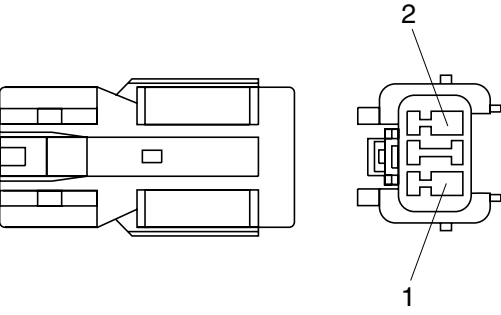
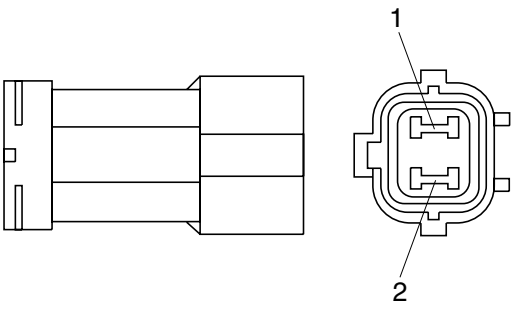
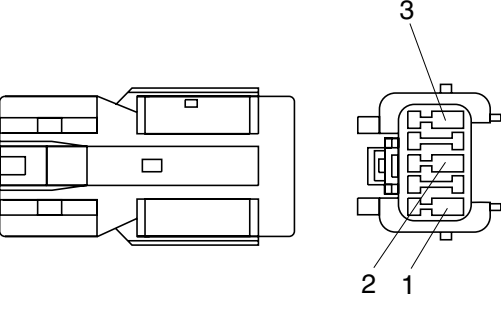
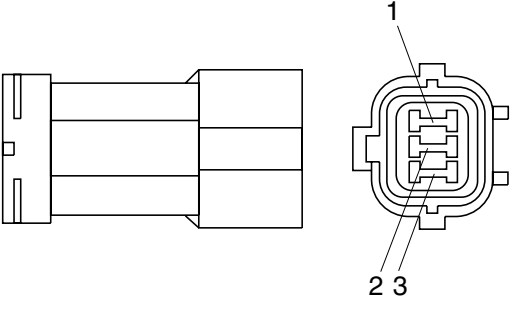
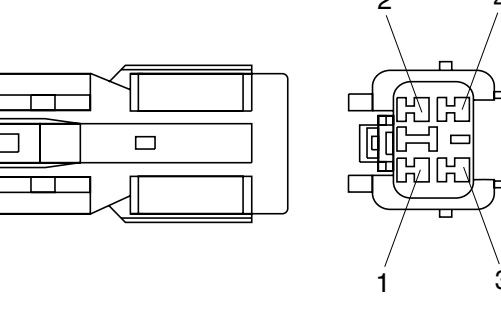
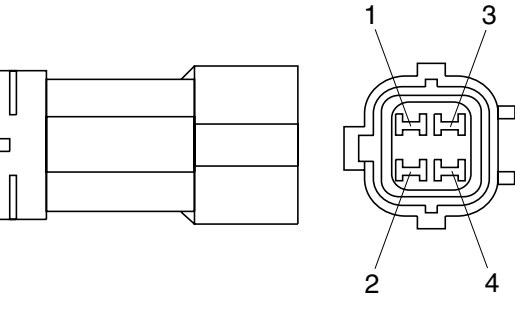
No. of pin	Receptacle connector (female)	Plug connector (male)
5	 <p style="text-align: center;">S811-005002</p>	 <p style="text-align: center;">S811-105002</p>
7	 <p style="text-align: center;">S811-007002</p>	 <p style="text-align: center;">S811-107002</p>
9	 <p style="text-align: center;">S811-009002</p>	 <p style="text-align: center;">3S811-109002</p>
11	 <p style="text-align: center;">S811-011002</p>	 <p style="text-align: center;">S811-111002</p>

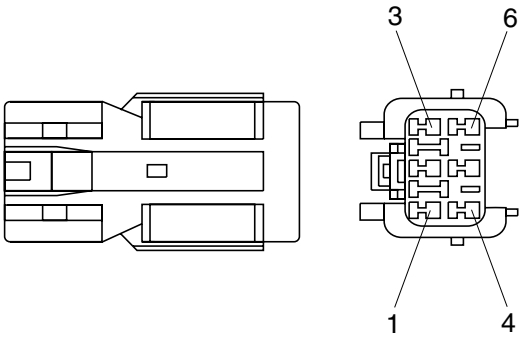
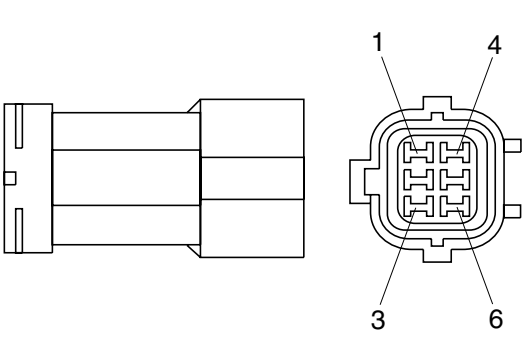
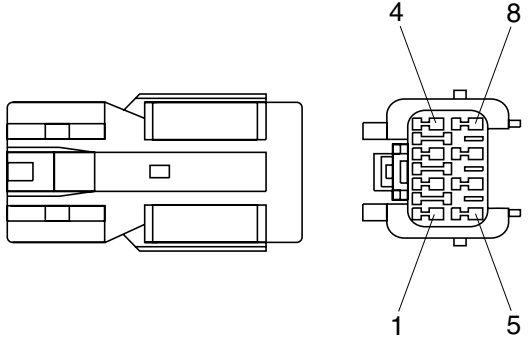
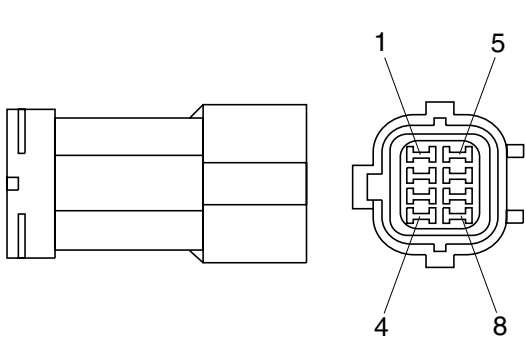
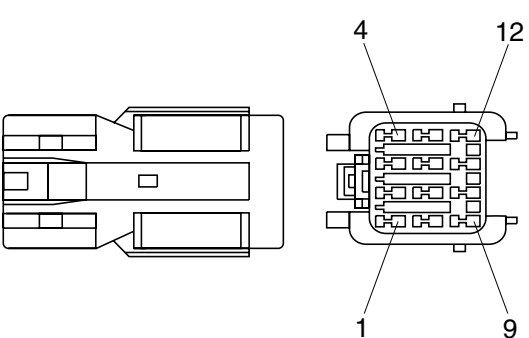
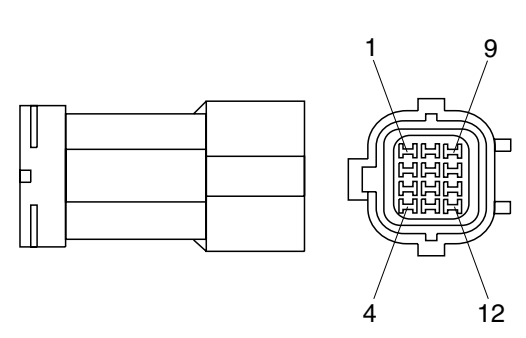
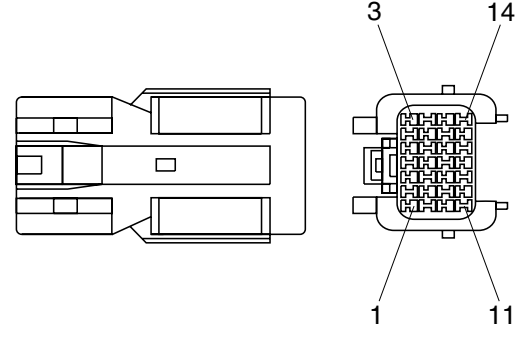
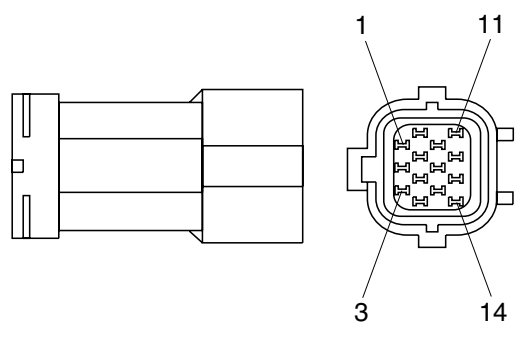
No. of pin	Receptacle connector (female)	Plug connector (male)
13	 <p style="text-align: center;">S811-013002</p>	 <p style="text-align: center;">S811-113002</p>
17	 <p style="text-align: center;">S811-017002</p>	 <p style="text-align: center;">S811-117002</p>
21	 <p style="text-align: center;">S811-021002</p>	 <p style="text-align: center;">S811-121002</p>

2) J TYPE CONNECTOR

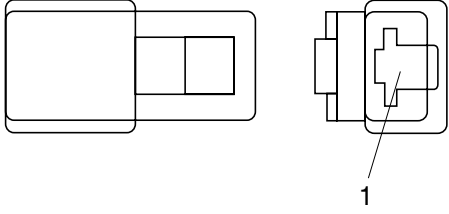
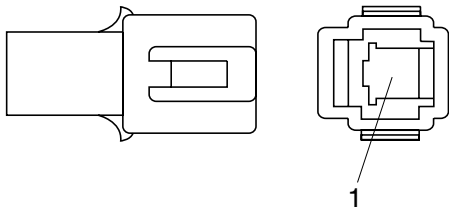
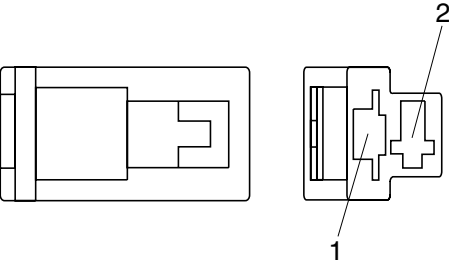
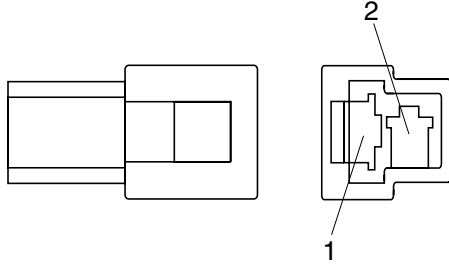
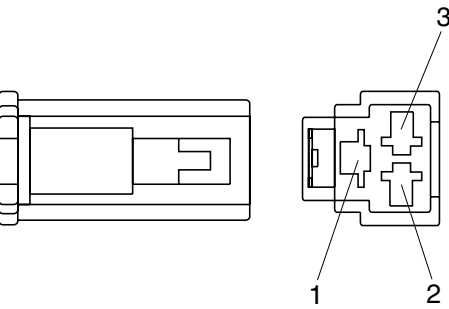
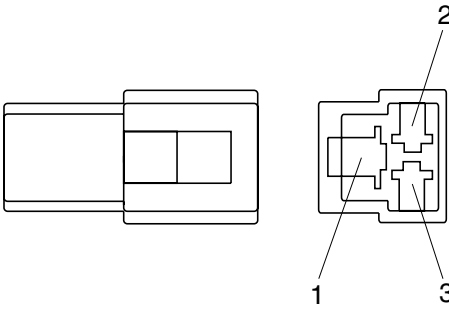
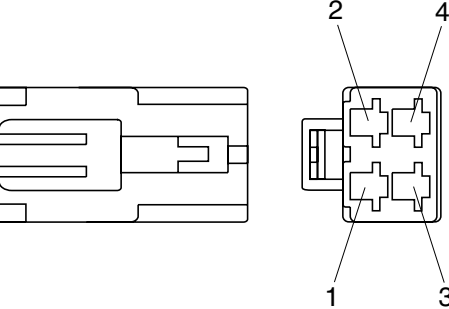
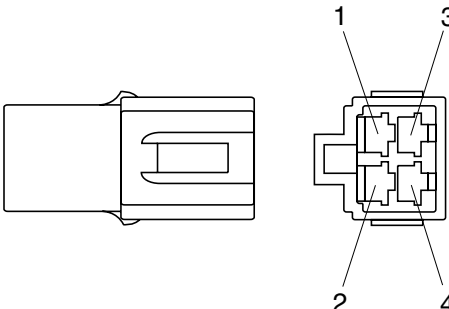
No. of pin	Receptacle connector (female)	Plug connector (male)
2	 <p style="text-align: center;">S816-002001</p>	 <p style="text-align: center;">S816-102001</p>
3	 <p style="text-align: center;">S816-003001</p>	 <p style="text-align: center;">S816-103001</p>
4	 <p style="text-align: center;">S816-004001</p>	 <p style="text-align: center;">S816-104001</p>
8	 <p style="text-align: center;">S816-008001</p>	 <p style="text-align: center;">S816-108001</p>

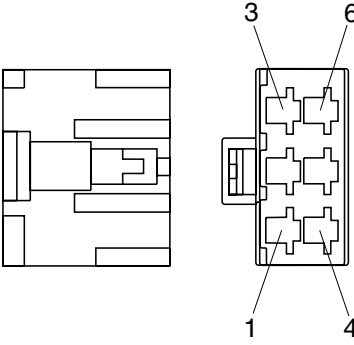
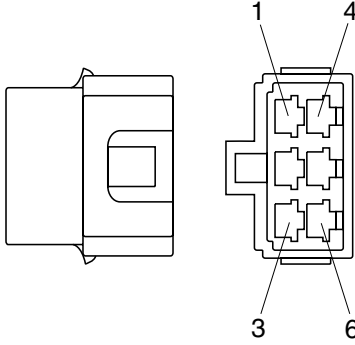
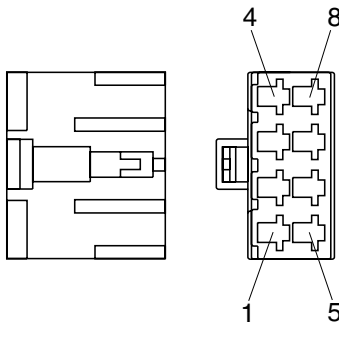
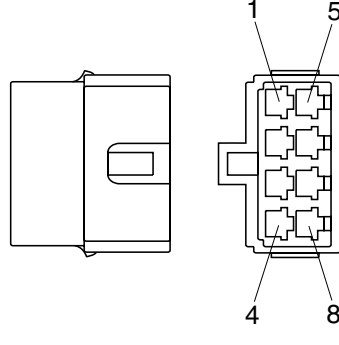
3) SWP TYPE CONNECTOR

No. of pin	Receptacle connector (female)	Plug connector (male)
1	 <p data-bbox="687 685 836 712">S814-001000</p>	 <p data-bbox="1241 685 1390 712">S814-101000</p>
2	 <p data-bbox="687 1088 836 1115">S814-002000</p>	 <p data-bbox="1241 1088 1390 1115">S814-102000</p>
3	 <p data-bbox="687 1498 836 1525">S814-003000</p>	 <p data-bbox="1241 1498 1390 1525">S814-103000</p>
4	 <p data-bbox="687 1908 836 1935">S814-004000</p>	 <p data-bbox="1241 1908 1390 1935">S814-104000</p>

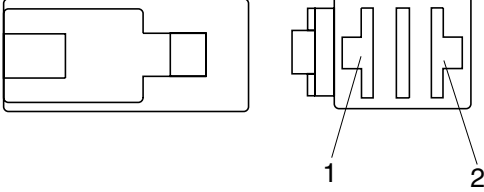
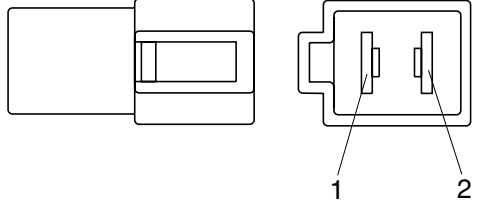
No. of pin	Receptacle connector (female)	Plug connector (male)
6	 <p data-bbox="686 638 837 672">S814-006000</p>	 <p data-bbox="1236 638 1388 672">S814-106000</p>
8	 <p data-bbox="686 1048 837 1081">S814-008000</p>	 <p data-bbox="1236 1048 1388 1081">S814-108000</p>
12	 <p data-bbox="686 1458 837 1491">S814-012000</p>	 <p data-bbox="1236 1458 1388 1491">S814-112000</p>
14	 <p data-bbox="686 1868 837 1901">S814-014000</p>	 <p data-bbox="1236 1868 1388 1901">S814-114000</p>

4) CN TYPE CONNECTOR

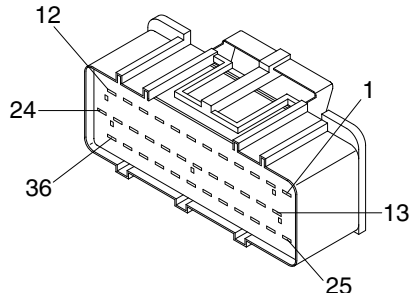
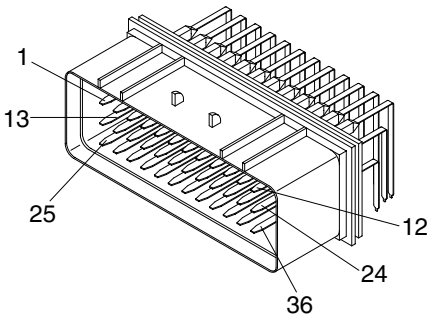
No. of pin	Receptacle connector (female)	Plug connector (male)
1	 <p style="text-align: center;">S810-001202</p>	 <p style="text-align: center;">S810-101202</p>
2	 <p style="text-align: center;">S810-002202</p>	 <p style="text-align: center;">S810-102202</p>
3	 <p style="text-align: center;">S810-003202</p>	 <p style="text-align: center;">S810-103202</p>
4	 <p style="text-align: center;">S810-004202</p>	 <p style="text-align: center;">S810-104202</p>

No. of pin	Receptacle connector (female)	Plug connector (male)
6	 <p data-bbox="687 638 837 674">S810-006202</p>	 <p data-bbox="1241 638 1391 674">S810-106202</p>
8	 <p data-bbox="687 1048 837 1084">S810-008202</p>	 <p data-bbox="1241 1048 1391 1084">S810-108202</p>

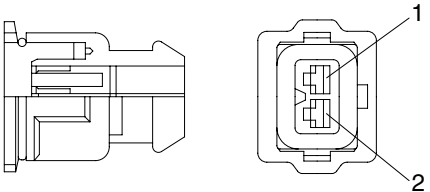
5) 375 FASTEN TYPE CONNECTOR

No. of pin	Receptacle connector (female)	Plug connector (male)
2	 <p data-bbox="686 683 837 712">S810-002402</p>	 <p data-bbox="1236 683 1388 712">S810-102402</p>

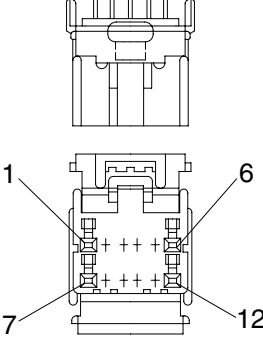
6) AMP ECONOSEAL CONNECTOR

No. of pin	Receptacle connector (female)	Plug connector (male)
36	 <p data-bbox="726 1288 837 1323">344111-1</p>	 <p data-bbox="1284 1288 1396 1323">344108-1</p>

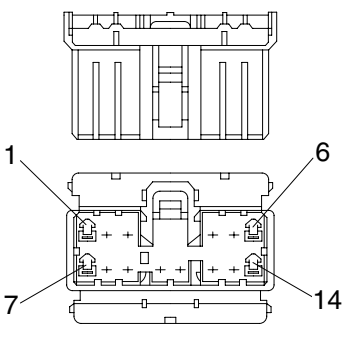
7) AMP TIMER CONNECTOR

No. of pin	Receptacle connector (female)	Plug connector (male)
2	 <p data-bbox="742 1892 837 1924">85202-1</p>	

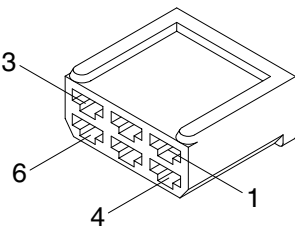
8) AMP 040 MULTILOCK CONNECTOR

No. of pin	Receptacle connector (female)	Plug connector (male)
12	 <p style="text-align: right;">174045-2</p>	

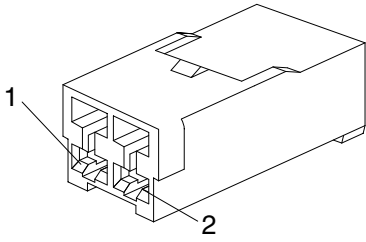
9) AMP 070 MULTILOCK CONNECTOR

No. of pin	Receptacle connector (female)	Plug connector (male)
14	 <p style="text-align: right;">173852</p>	

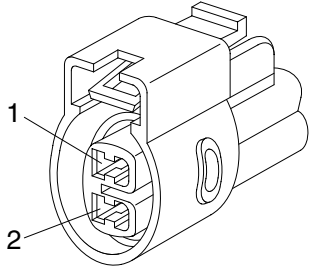
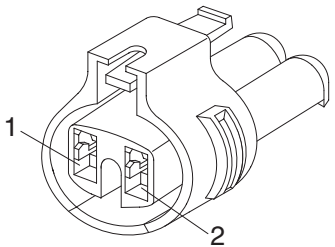
10) AMP FASTIN - FASTON CONNECTOR

No. of pin	Receptacle connector (female)	Plug connector (male)
6	 <p style="text-align: right;">925276-0</p>	

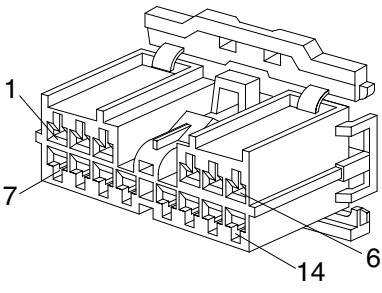
11) KET 090 CONNECTOR

No. of pin	Receptacle connector (female)	Plug connector (male)
2	 <p style="text-align: right;">MG610070</p>	

12) KET 090 WP CONNECTORS

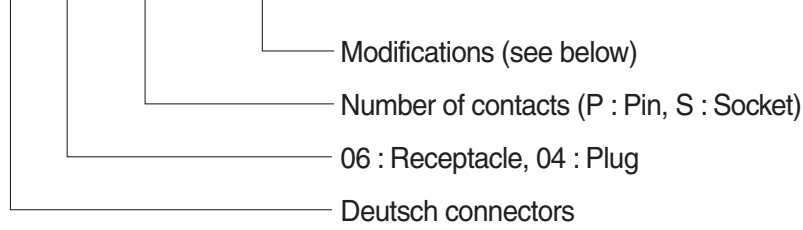
No. of pin	Receptacle connector (female)	Plug connector (male)
2	 <p style="text-align: right;">MG640605</p>	
2	 <p style="text-align: right;">MG640795</p>	

13) KET SDL CONNECTOR

No. of pin	Receptacle connector (female)	Plug connector (male)
14	 <p>MG610406</p>	

14) DEUTSCH DT CONNECTORS

DT 06 - 3S - ★★★★★



※ Modification

E003 : Standard end cap - gray

E004 : Color of connector to be black

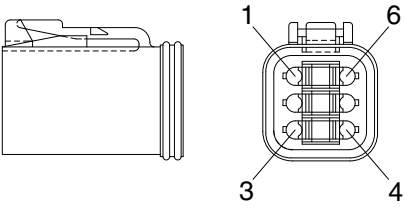
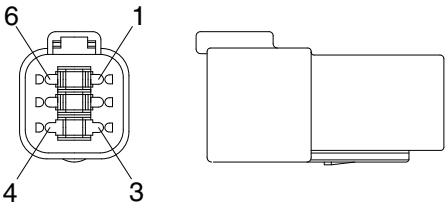
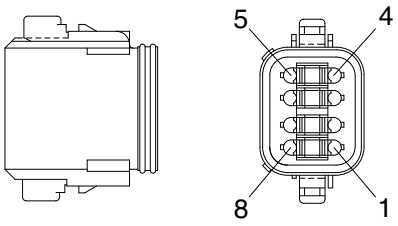
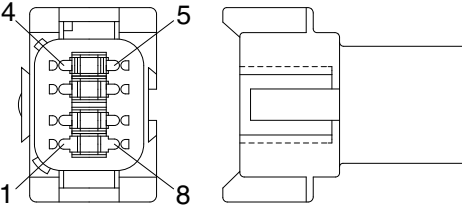
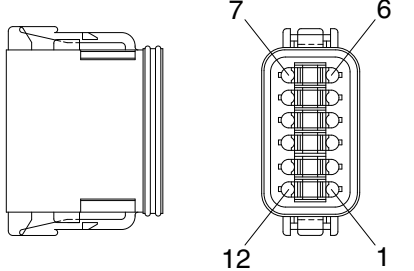
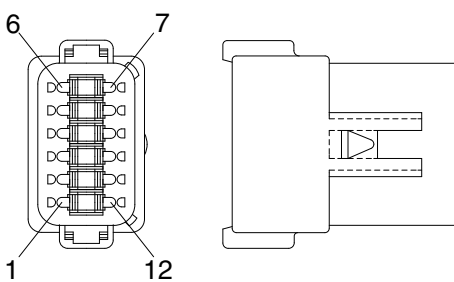
E005 : Combination - E004 & E003

EP04 : End cap

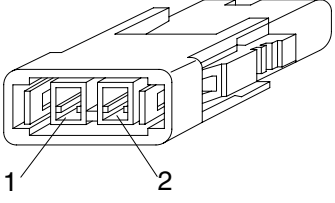
EP06 : Combination P012 & EP04

P012 : Front seal enhancement - connectors color to black for 2, 3, 4 & 6pin

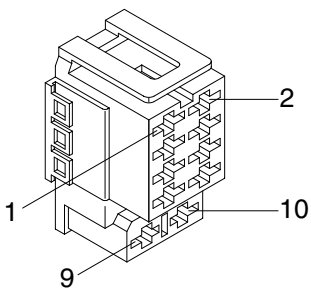
No. of pin	Receptacle connector (female)	Plug connector (male)
2	<p>DT06-2S</p>	<p>DT04-2P</p>
3	<p>DT06-3S</p>	<p>DT04-3P</p>
4	<p>DT06-4S</p>	<p>DT04-4P</p>

No. of pin	Receptacle connector (female)	Plug connector (male)
6	 <p style="text-align: center;">DT06-6S</p>	 <p style="text-align: center;">DT04-6P</p>
8	 <p style="text-align: center;">DT06-8S</p>	 <p style="text-align: center;">DT04-8P</p>
12	 <p style="text-align: center;">DT06-12S</p>	 <p style="text-align: center;">DT04-12P</p>

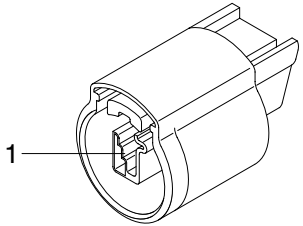
15) MOLEX 2CKTS CONNECTOR

No. of pin	Receptacle connector (female)	Plug connector (male)
2	 <p data-bbox="702 683 837 712">35215-0200</p>	

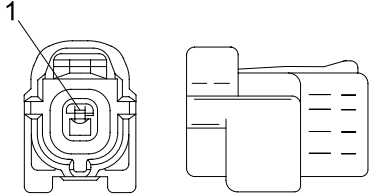
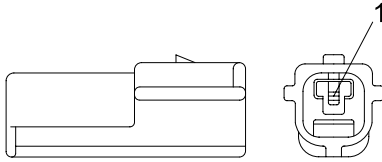
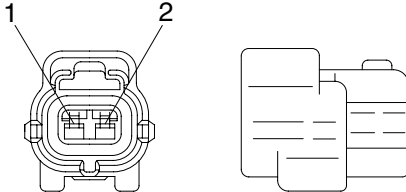
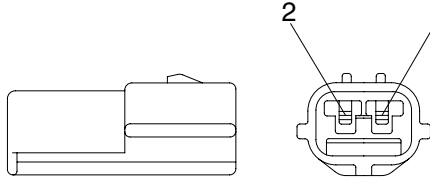
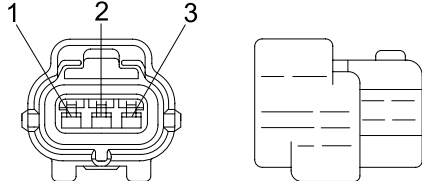
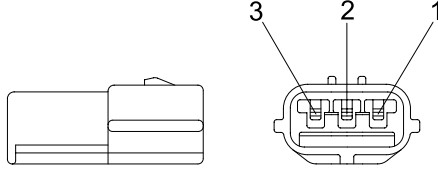
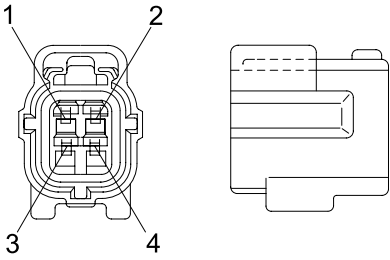
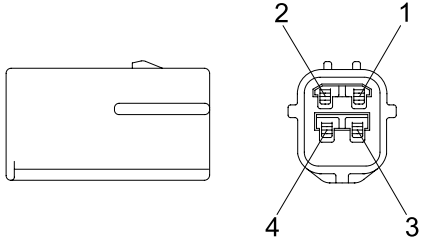
16) ITT SWF CONNECTOR

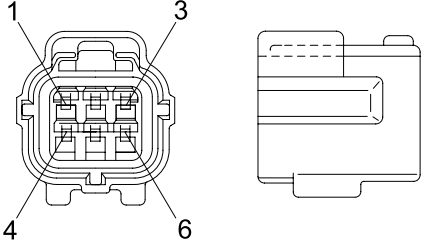
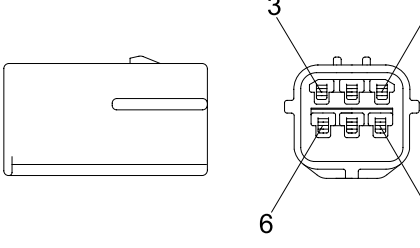
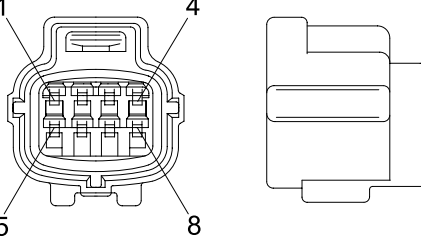
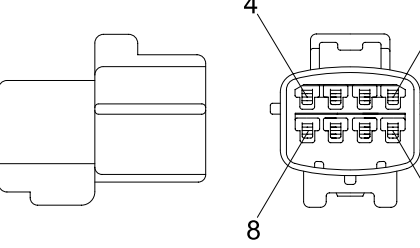
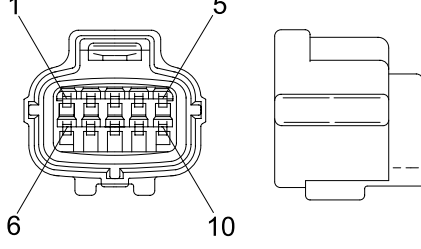
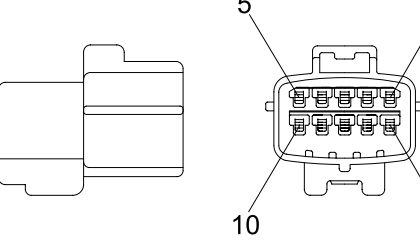
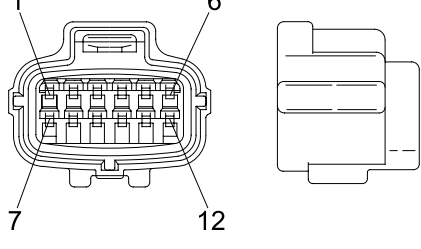
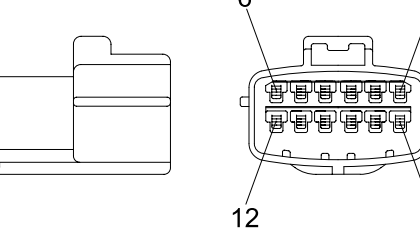
No. of pin	Receptacle connector (female)	Plug connector (male)
10	 <p data-bbox="694 1288 837 1317">SWF593757</p>	

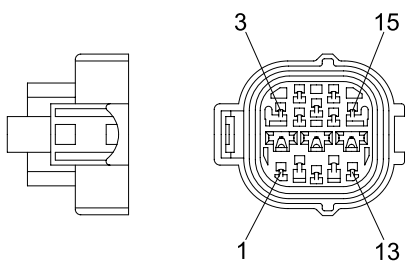
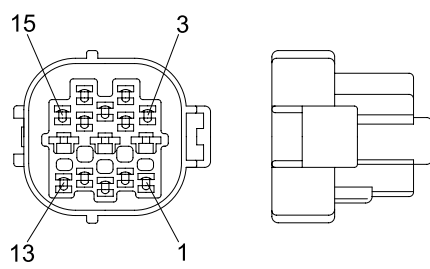
17) MWP NMWP CONNECTOR

No. of pin	Receptacle connector (female)	Plug connector (male)
1	 <p data-bbox="686 1892 837 1921">NMWP01F-B</p>	

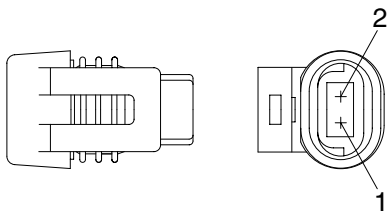
18) ECONOSEAL J TYPE CONNECTORS

No. of pin	Receptacle connector (female)	Plug connector (male)
1	 <p style="text-align: right;">S816-001002</p>	 <p style="text-align: left;">S816-101002</p>
2	 <p style="text-align: right;">S816-002002</p>	 <p style="text-align: left;">S816-102002</p>
3	 <p style="text-align: right;">S816-003002</p>	 <p style="text-align: left;">S816-103002</p>
4	 <p style="text-align: right;">S816-004002</p>	 <p style="text-align: left;">S816-104002</p>

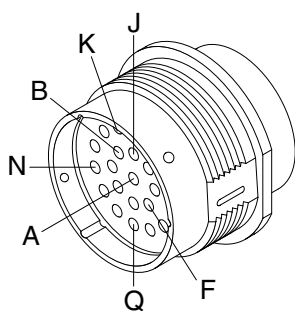
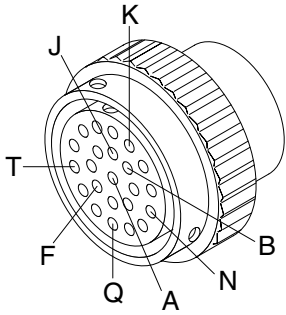
No. of pin	Receptacle connector (female)	Plug connector (male)
6	 <p data-bbox="692 640 839 674">S816-006002</p>	 <p data-bbox="1241 640 1388 674">S816-106002</p>
8	 <p data-bbox="692 1050 839 1084">S816-008002</p>	 <p data-bbox="1241 1050 1388 1084">S816-108002</p>
10	 <p data-bbox="692 1458 839 1491">S816-010002</p>	 <p data-bbox="1241 1458 1388 1491">S816-110002</p>
12	 <p data-bbox="692 1868 839 1901">S816-012002</p>	 <p data-bbox="1241 1868 1388 1901">S816-112002</p>

No. of pin	Receptacle connector (female)	Plug connector (male)
15	 <p data-bbox="730 638 837 672">368301-1</p>	 <p data-bbox="1276 638 1383 672">2-85262-1</p>

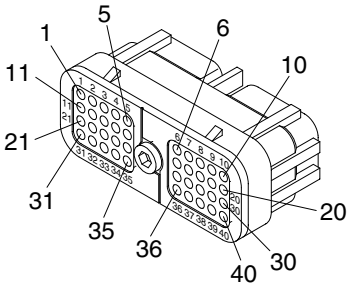
19) METRI-PACK TYPE CONNECTOR

No. of pin	Receptacle connector (female)	Plug connector (male)
2	 <p data-bbox="726 1243 833 1276">12040753</p>	

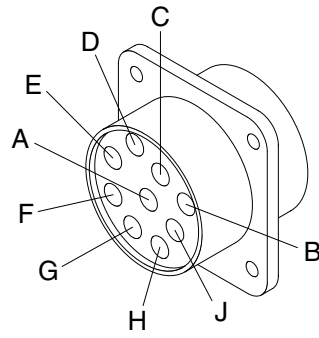
20) DEUTSCH HD30 CONNECTOR

No. of pin	Receptacle connector (female)	Plug connector (male)
23	 <p data-bbox="662 1848 837 1881">HD36-24-23SN</p>	 <p data-bbox="1220 1848 1396 1881">HD34-24-23PN</p>

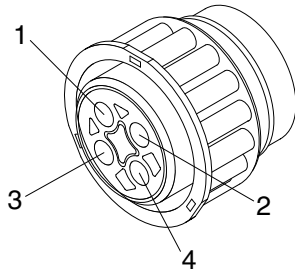
21) DEUTSCH MCU CONNECTOR

No. of pin	Receptacle connector (female)	Plug connector (male)
40	 <p style="text-align: right;">DRC26-40SA/B</p>	

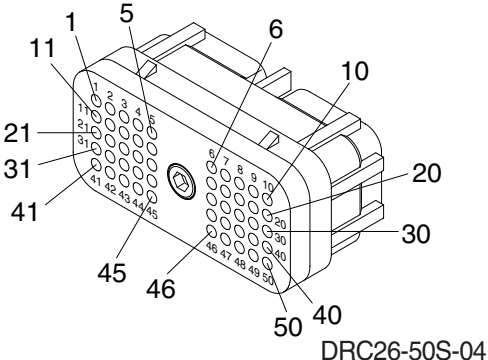
22) DEUTSCH SERVICE TOOL CONNECTOR

No. of pin	Receptacle connector (female)	Plug connector (male)
9	 <p style="text-align: right;">HD10-9-96P</p>	

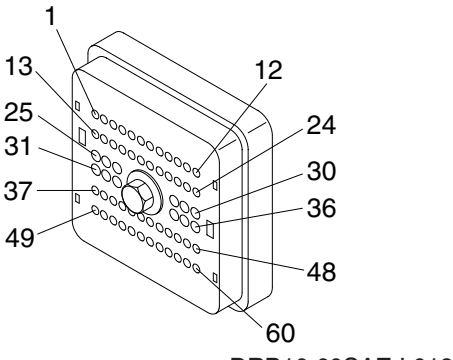
23) AMP FUEL WARMER CONNECTOR

No. of pin	Receptacle connector (female)	Plug connector (male)
4	 <p style="text-align: right;">2-967325-3</p>	

24) DEUTSCH ENGINE ECM CONNECTOR

No. of pin	Receptacle connector (female)	Plug connector (male)
50	 <p style="text-align: right;">DRC26-50S-04</p>	

25) DEUTSCH INTERMEDIATE CONNECTOR

No. of pin	Receptacle connector (female)	Plug connector (male)
60	 <p style="text-align: right;">DRB16-60SAE-L018</p>	