

SECTION 2 STRUCTURE AND FUNCTION

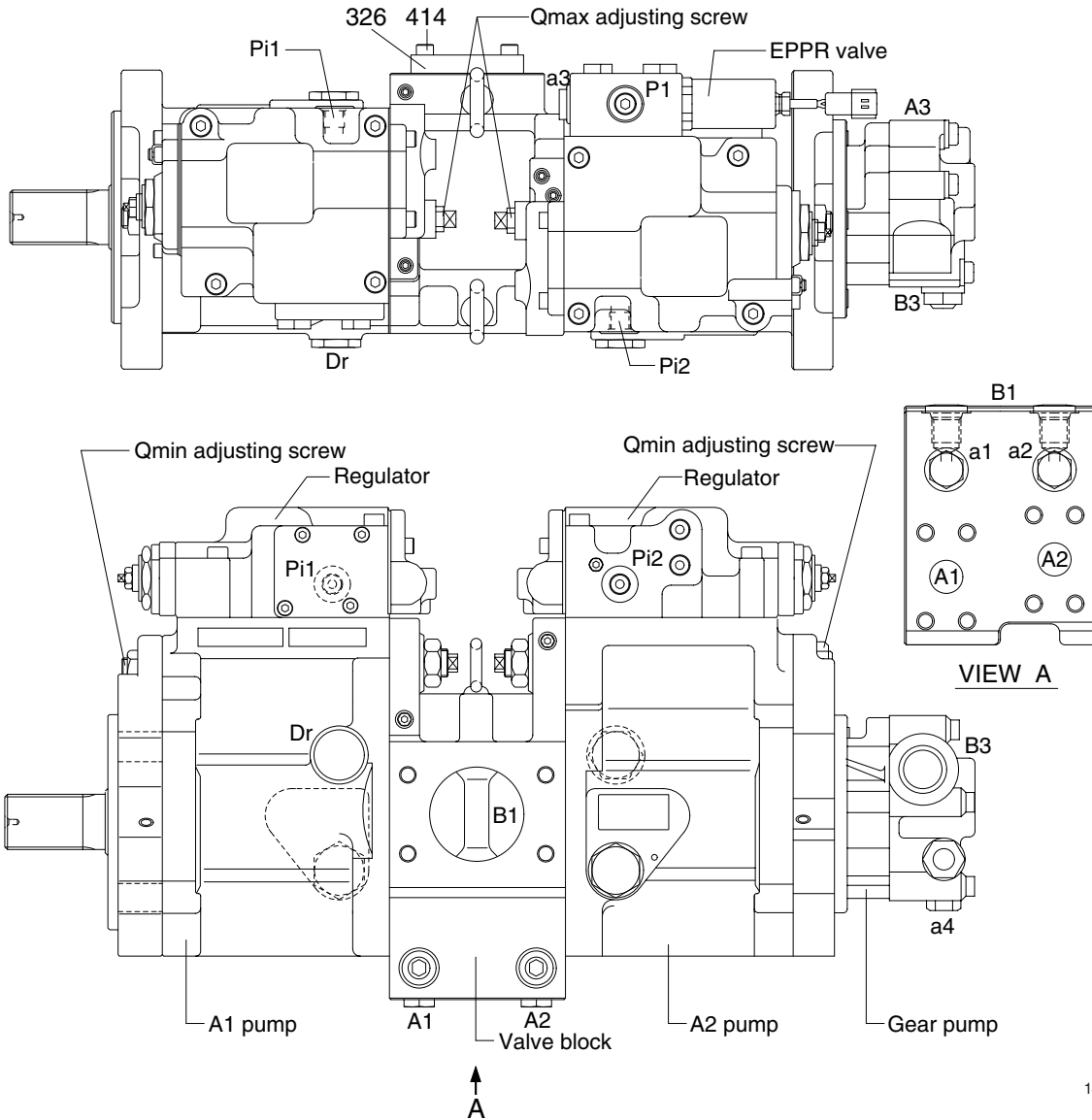
Group 1 Pump Device	2-1
Group 2 Main Control Valve	2-19
Group 3 Swing Device	2-46
Group 4 Travel Device	2-57
Group 5 RCV Lever	2-65
Group 6 RCV Pedal	2-72

SECTION 2 STRUCTURE AND FUNCTION

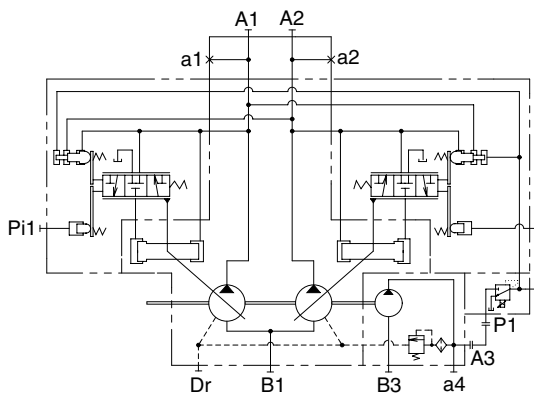
GROUP 1 PUMP DEVICE

1. STRUCTURE

The pump device consists of main pump, regulator and gear pump.



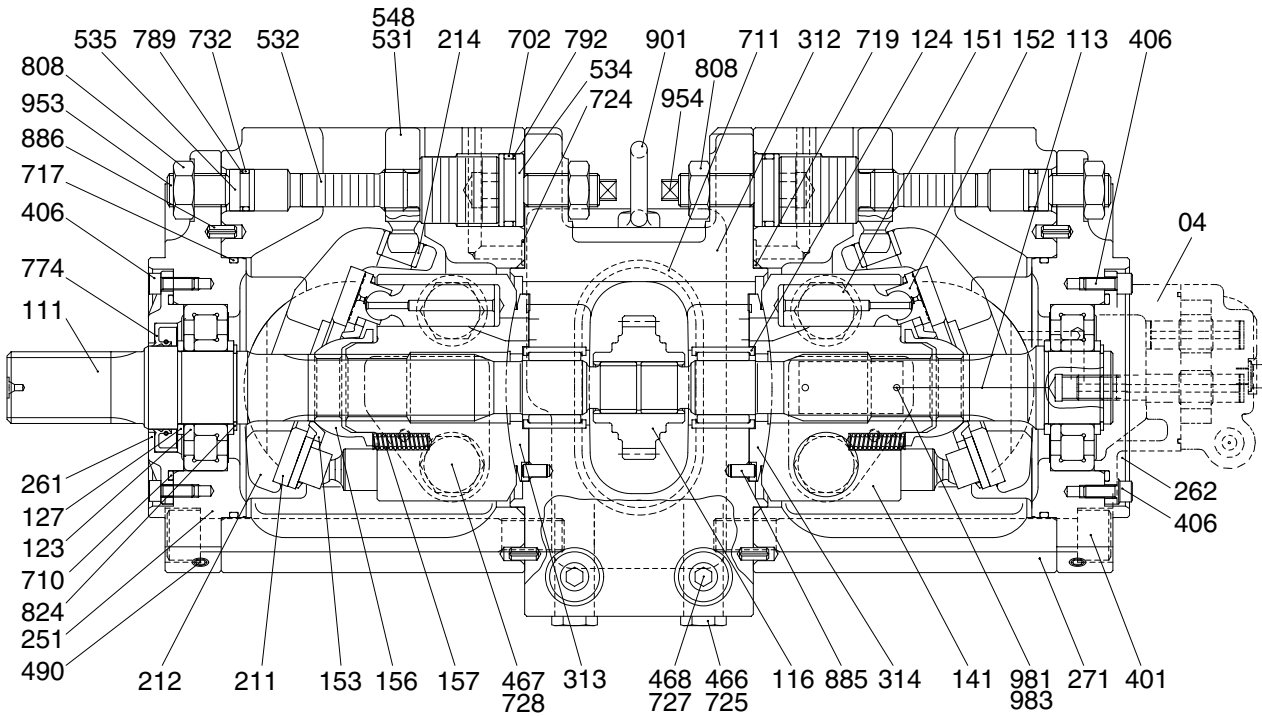
14092MP01



Port	Port name	Port size
A1, A2	Delivery port	SAE6000 psi 3/4"
B1	Suction port	SAE2500 psi 2 1/2"
Dr	Drain port	PF 1/2 - 19
Pi1, Pi2	Pilot port	PF 1/4 - 15
P1	EPPR port	PF 1/4 - 15
a1, a2, a3	Gauge port	PF 1/4 - 15
a4	Gauge port	PF 1/4-14
A3	Gear pump delivery port	PF 1/2 - 19
B3	Gear pump suction port	PF 3/4 - 20.5

1) MAIN PUMP (1/2)

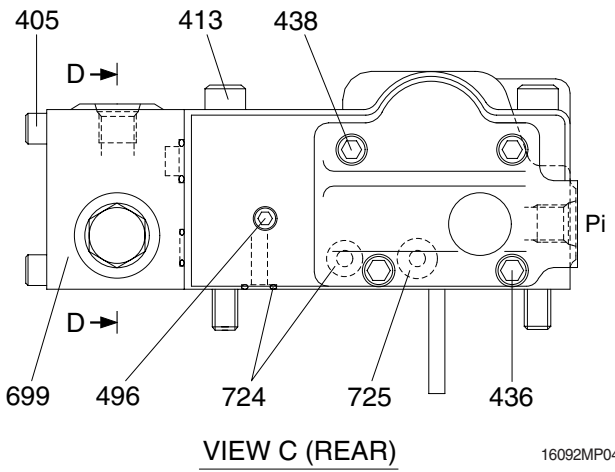
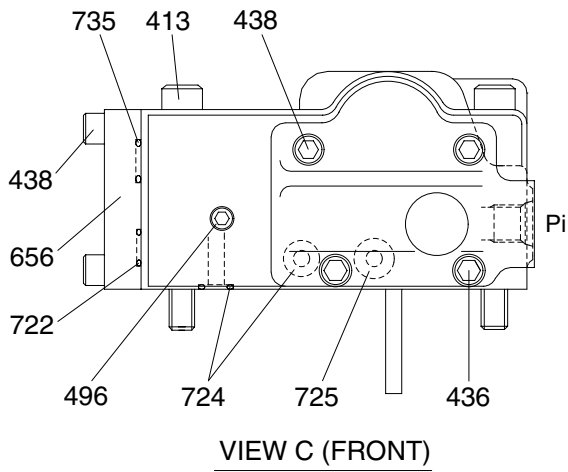
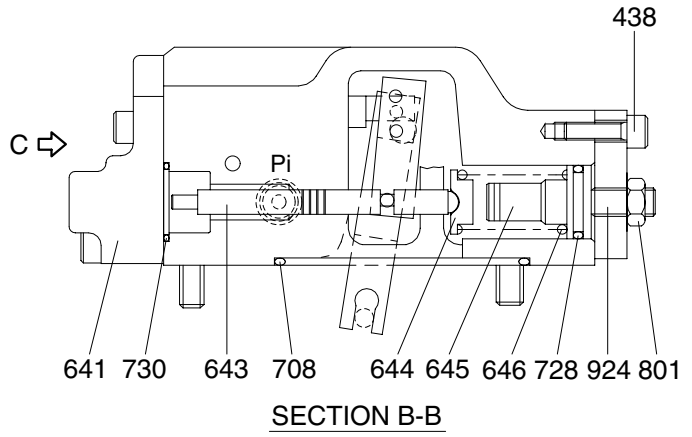
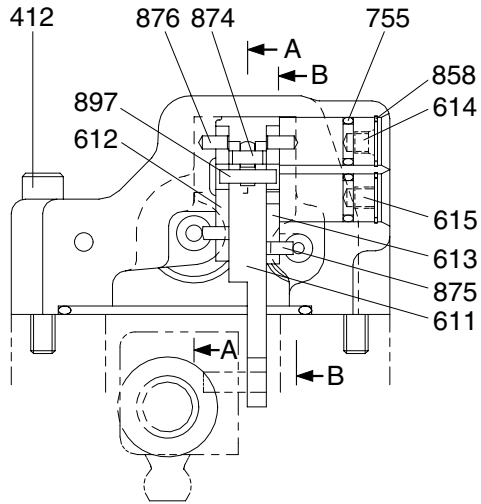
The main pump consists of two piston pumps (front & rear) and valve block.



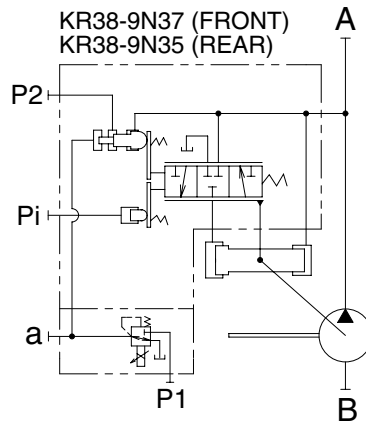
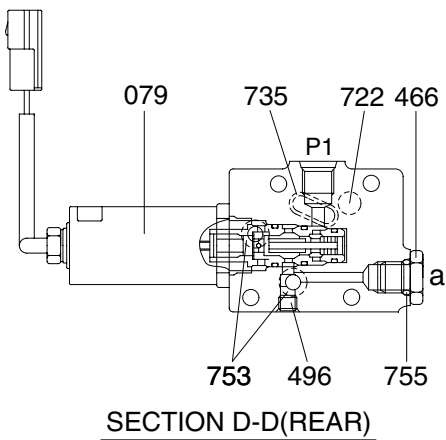
14092MP02

04	Gear pump	312	Valve block	717	O-ring
111	Drive shaft (F)	313	Valve plate (R)	719	O-ring
113	Drive shaft (R)	314	Valve plate (L)	724	O-ring
116	1st Gear	326	Cover	725	O-ring
123	Roller bearing	401	Hexagon socket bolt	727	O-ring
124	Needle bearing	406	Hexagon socket bolt	728	O-ring
127	Bearing spacer	414	Hexagon socket bolt	732	O-ring
141	Cylinder block	466	Plug	774	Oil seal
151	Piston	467	plug	789	Back up ring
152	Shoe	468	Plug	792	Back up ring
153	Set plate	490	Plug	808	Hexagon head nut
156	Bushing	531	Tilting pin	824	Snap ring
157	Cylinder spring	532	Servo piston	885	Pin
211	Shoe plate	534	Stopper (L)	886	Spring pin
212	Swash plate	535	Stopper (S)	901	Eye bolt
214	Bushing	548	Pin	953	Set screw
251	Support	702	O-ring	954	Set screw
261	Seal cover (F)	710	O-ring	981	Plate
271	Pump casing	711	O-ring	983	Pin

2) REGULATOR (1/2)

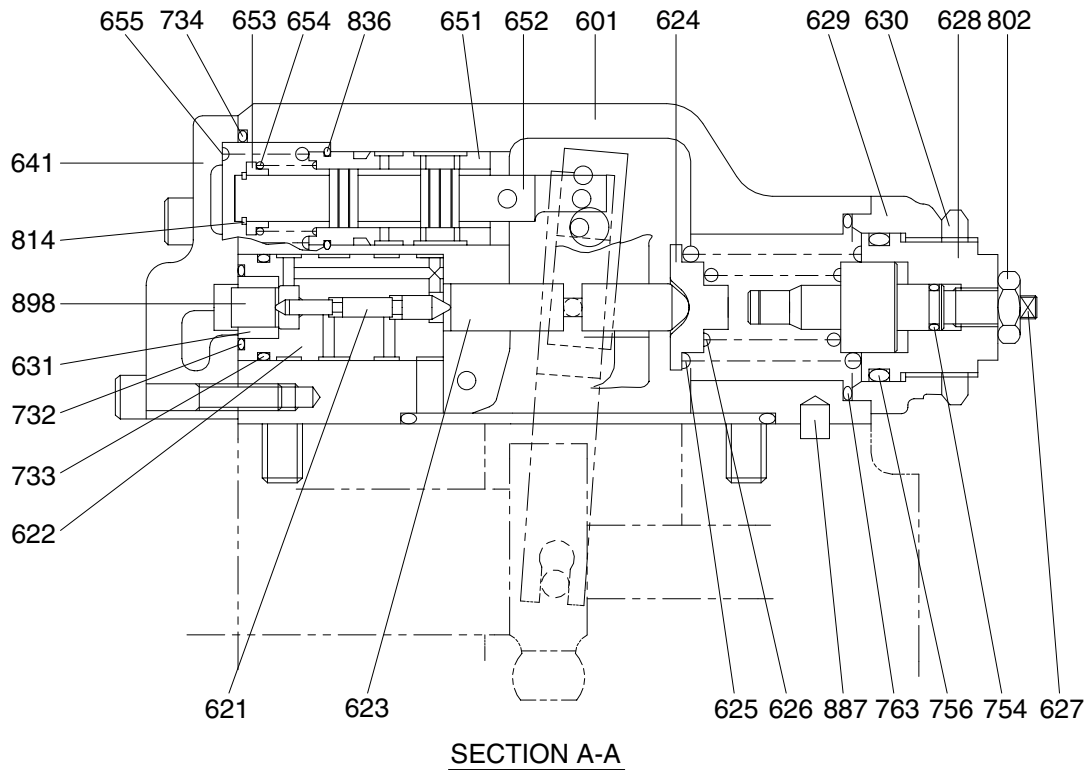


16092MP04



Port	Port name	Port size
A	Delivery port	SAE6000 psi 3/4"
B	Suction port	SAE2500 psi 2 1/2"
Pi	Pilot port	PF 1/4-15

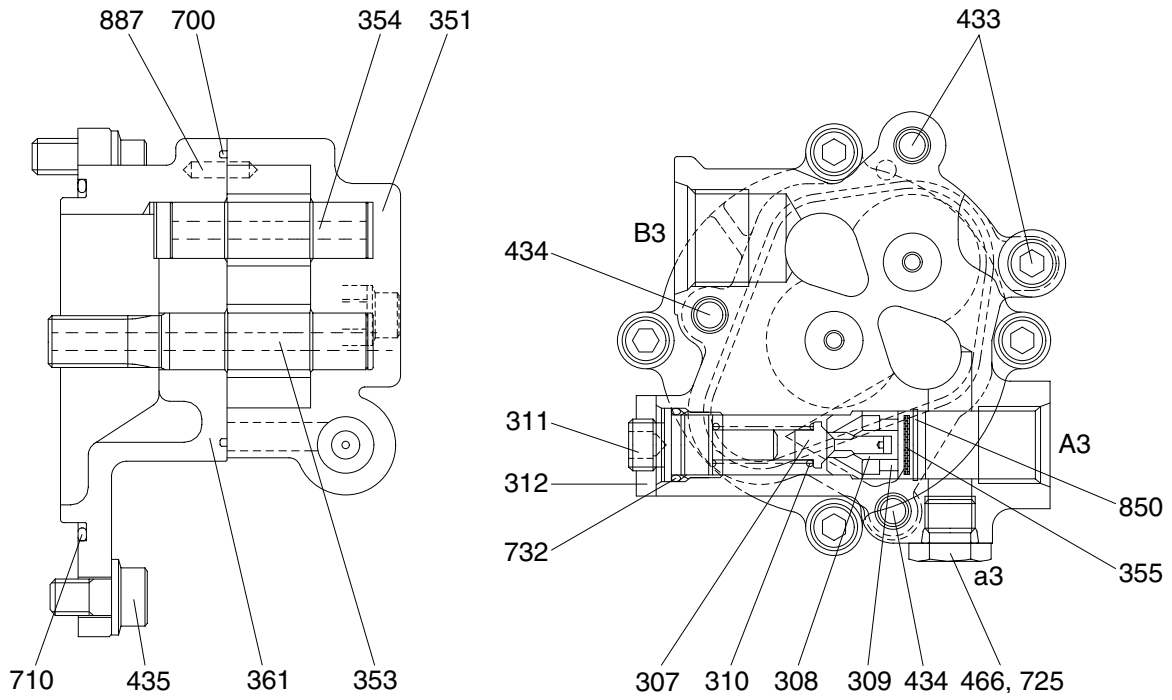
REGULATOR (2/2)



14W92MP05

079	EPPR valve assembly	629	Cover (C)	733	O-ring
405	Hexagon socket screw (R)	630	Lock nut	734	O-ring
412	Hexagon socket screw	631	Sleeve, Pf	735	O-ring
413	Hexagon socket screw	641	Pilot cover	753	O-ring (R)
436	Hexagon socket screw	643	Pilot piston	754	O-ring
438	Hexagon socket screw	644	Spring seat (Q)	755	O-ring
466	Plug (R)	645	Adjust stem (Q)	756	O-ring
496	Plug	646	Pilot spring	763	O-ring
601	Casing	651	Sleeve	801	Nut
611	Feed back lever	652	Spool	802	Nut
612	Lever (1)	653	Spring seat	814	Snap ring
613	Lever (2)	654	Return spring	836	Snap ring
614	Center plug	655	Set spring	858	Snap ring
615	Adjust plug	656	Block cover (F)	874	Pin
621	Compensator piston	699	Valve casing (R)	875	Pin
622	Piston case	708	O-ring	876	Pin
623	Compensator rod	722	O-ring	887	Pin
624	Spring seat (C)	724	O-ring	897	Pin
625	Outer spring	725	O-ring	898	Pin
626	Inner spring	728	O-ring	924	Set screw
627	Adjust stem (C)	730	O-ring		
628	Adjust screw (C)	732	O-ring		

3) GEAR PUMP



14092MP06

307 Poppet
 308 Seat
 309 Ring
 310 Spring
 311 Screw
 312 Nut
 351 Gear case

353 Drive gear
 354 Driven gear
 355 Filter
 361 Front case
 433 Flange socket
 434 Flange socket
 435 Flange socket

466 Plug
 700 Ring
 710 O-ring
 725 O-ring
 732 O-ring
 850 Snap ring
 887 Pin

2. FUNCTION

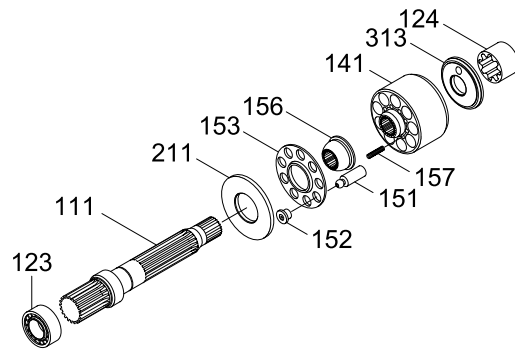
1) MAIN PUMP

The pumps may be classified roughly into the rotary group performing a rotary motion and working as the major part of the whole pump function: the swash plate group that varies the delivery rates: and the valve cover group that changes over oil suction and discharge.

(1) Rotary group

The rotary group consists of drive shaft (F) (111), cylinder block (141), piston shoes (151,152), set plate (153), spherical bushing (156) and cylinder spring (157). The drive shaft is supported by bearing (123,124) at its both ends.

The shoe is caulked to the piston to form a spherical coupling. It has a pocket to relieve thrust force generated by loading pressure and to take hydraulic balance so that it slides lightly over the shoe plate (211). The sub group composed by a piston and a shoe is pressed against the shoe plate by the action of the cylinder spring via a retainer and a spherical bush. Similarly, the cylinder block is pressed against valve plate (313) by the action of the cylinder spring.



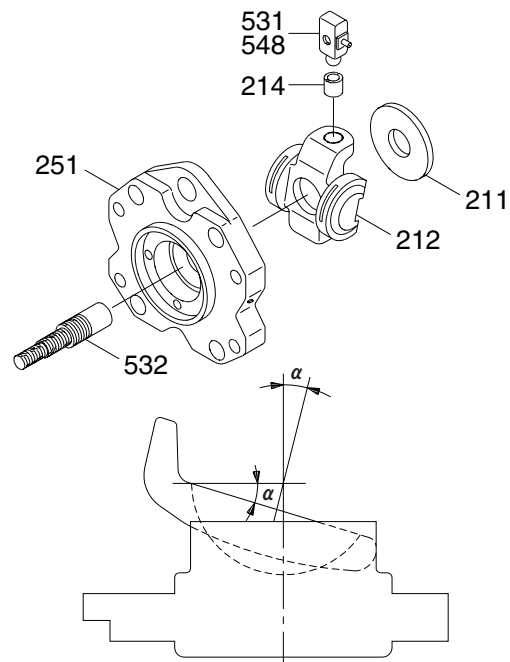
21092MP06

(2) Swash plate group

The swash plate group consists of swash plate (212), shoe plate (211), swash plate support (251), tilting bush (214), tilting pin (531) and servo piston (532).

The swash plate is a cylindrical part formed on the opposite side of the sliding surface of the shoe and is supported by the swash support.

If the servo piston moves to the right and left as hydraulic force controlled by the regulator is admitted to hydraulic chamber located on both sides of the servo piston, the swash plate slides over the swash plate support via the spherical part of the tilting pin to change the tilting angle (α)



2507A2MP14

(3) Valve block group

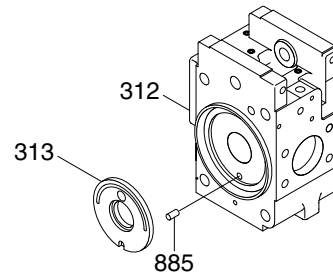
The valve block group consists of valve block (312), valve plate (313) and valve plate pin(885).

The valve plate having two melon-shaped ports is fixed to the valve block and feeds and collects oil to and from the cylinder block.

The oil changed over by the valve plate is connected to an external pipeline by way of the valve block.

Now, if the drive shaft is driven by a prime mover (electric motor, engine, etc), it rotates the cylinder block via a spline linkage at the same time. If the swash plate is tilted as in Fig (previous page) the pistons arranged in the cylinder block make a reciprocating motion with respect to the cylinder block, while they revolve with the cylinder block.

If you pay attention to a single piston, it performs a motion away from the valve plate (oil sucking process) within 180 degrees, and makes a motion towards the valve plate (or oil discharging process) in the rest of 180 degrees. When the swash plate has a tilting angle of zero, the piston makes no stroke and discharges no oil.



21092MP07

2) REGULATOR

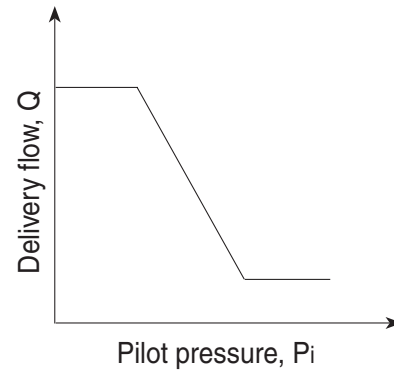
Regulator consists of the negative flow control, total horse power control and power shift control function.

(1) Negative flow control

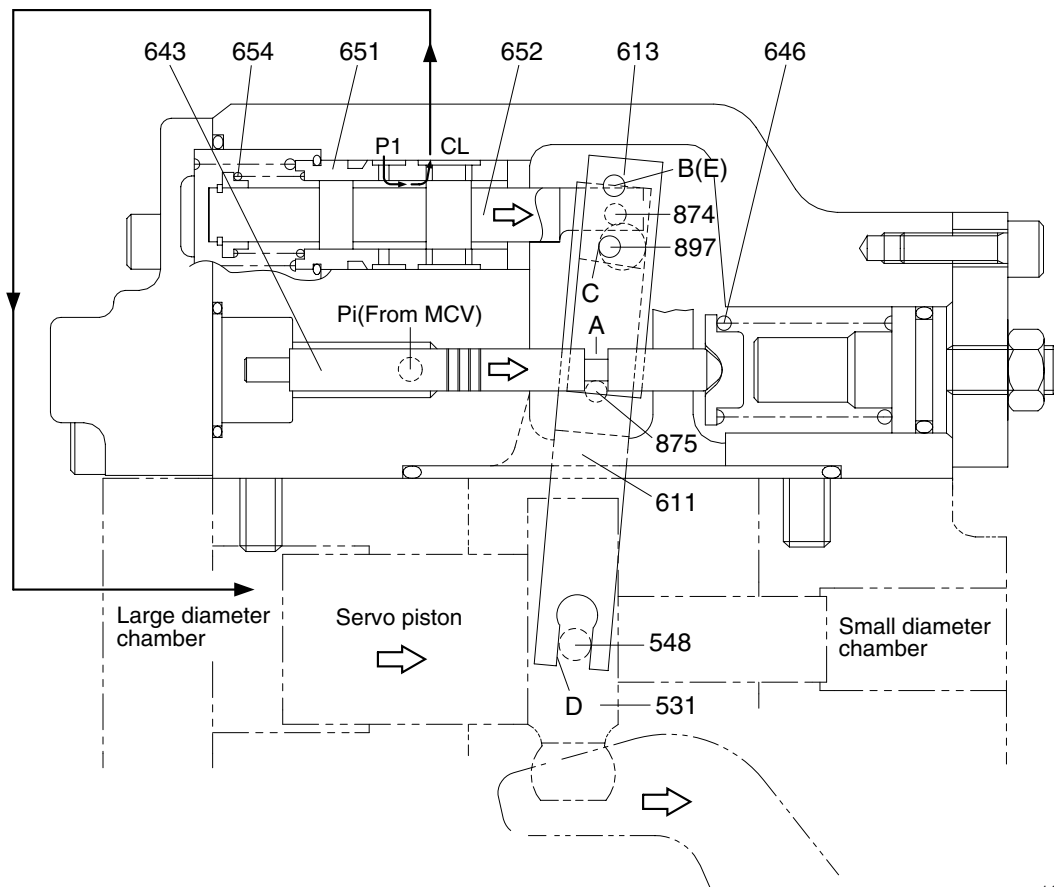
By changing the pilot pressure P_i , the pump tilting angle (delivery flow) is regulated arbitrarily, as shown in the figure.

This regulator is of the negative flow control in which the delivery flow Q decreases as the pilot pressure P_i rises.

With this mechanism, when the pilot pressure corresponding to the flow required for the work is commanded, the pump discharges the required flow only, and so it does not consume the power uselessly.



① Flow reducing function



14W92MP12

As the pilot pressure P_i rises, the pilot piston (643) moves to the right to a position where the force of the pilot spring (646) balances with the hydraulic force.

The groove (A) in the pilot piston is fitted with the pin (875) that is fixed to lever 2 (613). Therefore, when the pilot piston moves, lever 2 rotates around the fulcrum of point B [fixed by the fulcrum plug (614) and pin (875)]. Since the large hole section (C) of lever 2 contains a protruding pin (897) fixed to the feedback lever (611), the pin (897) moves to the right as lever 2 rotates. Since the opposing-flat section (D) of the feedback lever is fitted with the pin (548) fixed by the tilting pin (531) that swings the swash plate, the feedback lever rotates around the fulcrum of point D, as the pin (897) moves.

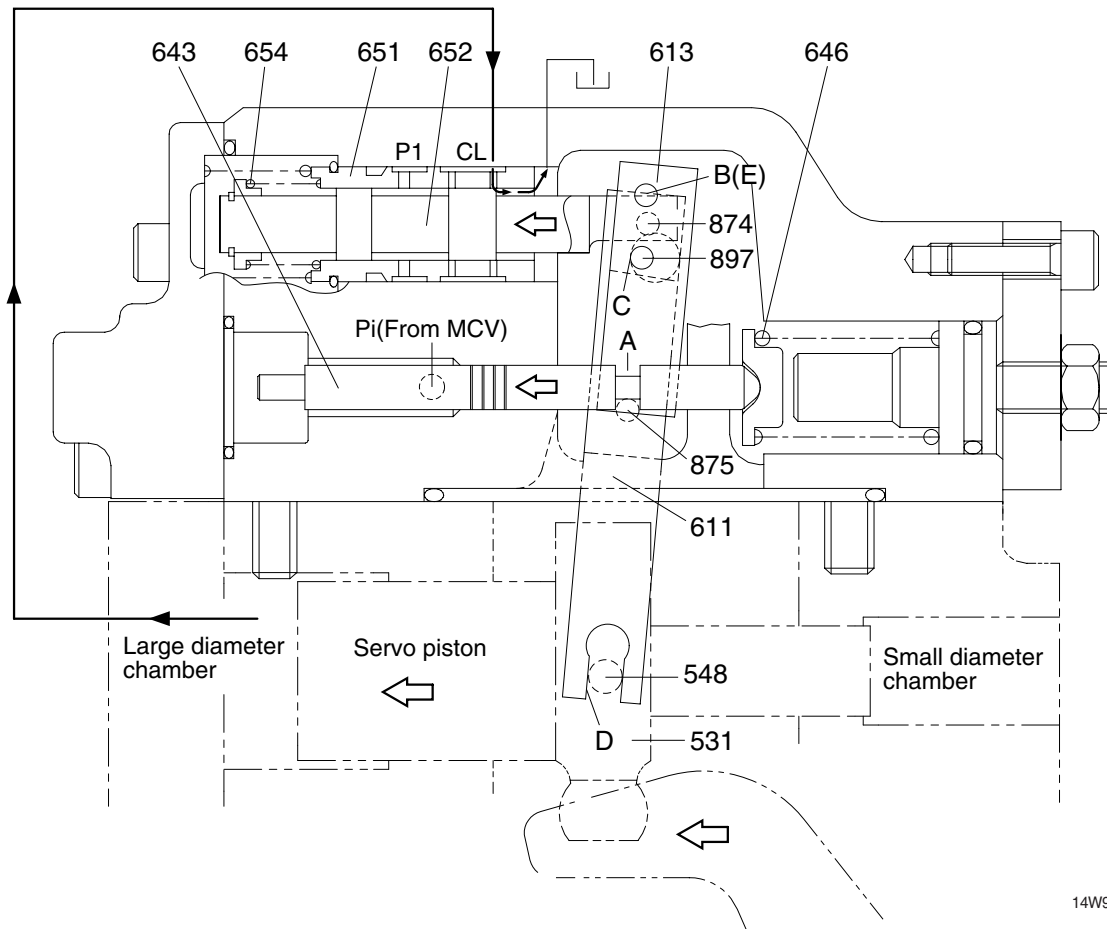
Since the feedback lever is connected with the spool (652) via the pin (874), the spool moves to the right.

The movement of the spool causes the delivery pressure P_1 to connect to port CL through the spool and to be admitted to the large diameter section of the servo piston. The delivery pressure P_1 that is constantly admitted to the small diameter section of the servo piston moves the servo piston to the right due to the area difference, resulting in decrease of the tilting angle.

When the servo piston moves to the right, point D also moves to the right. The spool is fitted with the return spring (654) and is tensioned to the left at all times, and so the pin (897) is pressed against the large hole section (C) of lever 2.

Therefore, as point D moves, the feedback lever rotates around the fulcrum of point C, and the spool is shifted to the left. This causes the opening between the sleeve (651) and spool (652) to close slowly, and the servo piston comes to a complete stop when it closes completely.

② Flow increasing function



14W92MP13

As the pilot pressure P_i decreases, the pilot piston (643) moves to the left by the action of the pilot spring (646) and causes lever 2 (613) to rotate around the fulcrum of point B. Since the pin (897) is pressed against the large hole section (C) of lever 2 by the action of the return spring (654) via the spool (652), pin (874), and feedback lever (611), the feedback lever rotates around the fulcrum of point D as lever 2 rotates, and shifts the spool to the left. Port CL opens a way to the tank port as the spool moves. This deprives the large diameter section of the servo piston of pressure, and shifts the servo piston to the left by the discharge pressure P1 in the small diameter section, resulting in an increase in the flow rate.

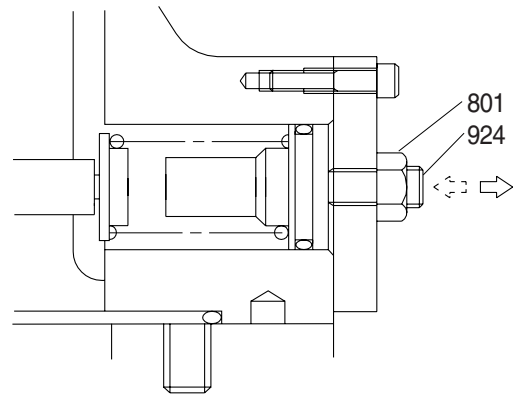
As the servo piston moves, point D also moves to the left, the feedback lever rotates around the fulcrum of point C, and the spool moves to the right till the opening between the spool and sleeve is closed.

③ Adjustment of flow control characteristic

The flow control characteristic can be adjusted with the adjusting screw.

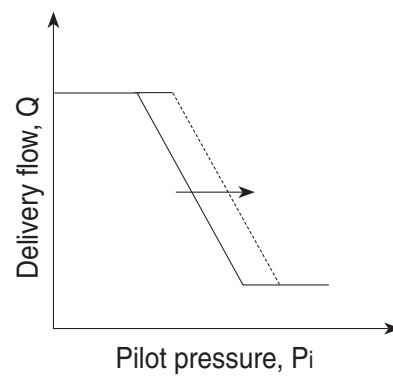
Adjust it by loosening the hexagon nut (801) and by tightening (or loosening) the hexagonal socket head screw (924).

Tightening the screw shifts the control chart to the right as shown in the figure.



※ Adjusting value

Speed	Adjustment of flow control characteristic		
	Tightening amount of adjusting screw (924)	Flow control starting pressure change amount	Flow change amount
(min ⁻¹)	(Turn)	(kgf/cm ²)	(l /min)
2000	+1/4	+1.5	+9.5



(2) Total horsepower control

The regulator decreases the pump tilting angle (delivery flow) automatically to limit the input torque within a certain value with a rise in the delivery pressure P_1 of the self pump and the delivery pressure P_2 of the companion pump.

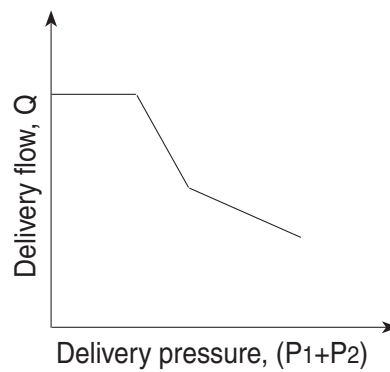
(The input horsepower is constant when the speed is constant.)

Since the regulator is of the simultaneous total horsepower type that operates by the sum of load pressures of the two pumps in the tandem double-pump system, the prime mover is automatically prevented from being overloaded, irrespective of the load condition of the two pumps, when horsepower control is under way.

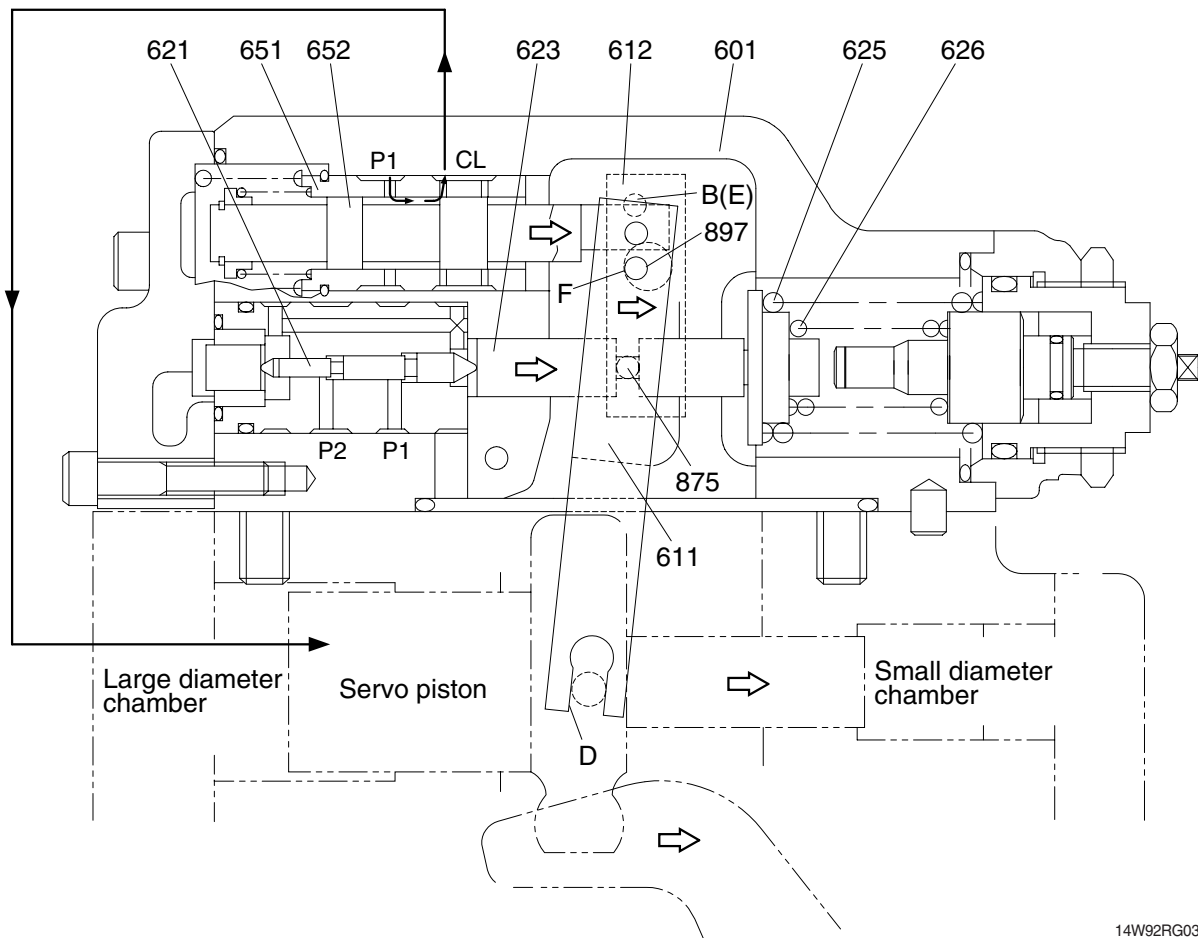
Since this regulator is of the simultaneous total horsepower type, it controls the tilting angles (displacement volumes) of the two pumps to the same value as represented by the following equation :

$$\begin{aligned} T_{in} &= P_1 \times q/2\pi + P_2 \times q/2\pi \\ &= (P_1+P_2) \times q/2\pi \end{aligned}$$

The horsepower control function is the same as the flow control function and is summarized in the following. (For detailed behaviors of respective parts, refer to the section of flow control).



① Overload preventive function



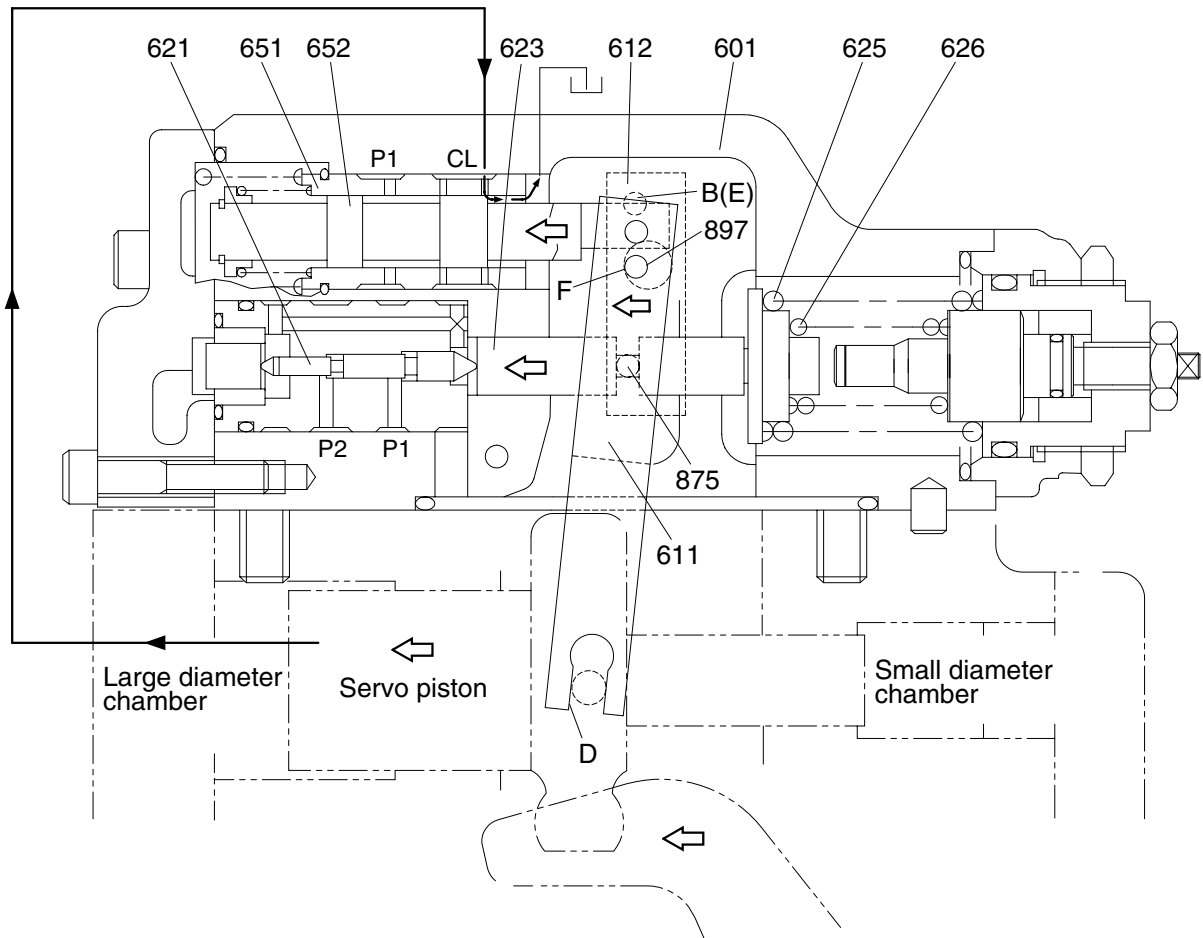
14W92RG03

When the self pump delivery pressure P1 or the companion pump delivery pressure P2 rises, it acts on the stepped part of the compensating piston (621). It presses the compensating rod (623) to the right till the force of the outer spring (625) and inner spring (626) balances with the hydraulic force. The movement of the compensating rod is transmitted to lever 1 (612) via pin (875).

Lever 1 rotates around the pin (875) (E) fixed to the casing (601).

Since the large hole section (F) of lever 1 contains a protruding pin (897) fixed to the feedback lever (611), the feedback lever rotates around the fulcrum of point D as lever 1 rotates, and then the spool (652) is shifted to the right. As the spool moves, the delivery pressure P1 is admitted to the large diameter section of the servo piston via port CL, causes the servo piston move to the right, reduces the pump delivery, flow rate, and prevents the prime mover from being overloaded. The movement of the servo piston is transmitted to the feedback lever via point D. Then the feedback lever rotates around the fulcrum of point F and the spool is shifted to the left. The spool moves till the opening between the spool (652) and sleeve (651) is closed.

② Flow reset function



14W92RG04

As the self pump delivery pressure P1 or the companion pump delivery pressure P2 decreases, the compensating rod (623) is pushed back by the action of the springs (625 & 626) to rotate lever 1 (612) around point E. Rotating of lever 1 causes the feedback lever (611) to rotate around the fulcrum of point D and then the spool (652) to move to the left. As a result, port CL opens a way to the tank port.

This causes the servo piston to move to the left and the pump's delivery rate to increase.

The movement of the servo piston is transmitted to the spool by the action of the feedback mechanism to move it till the opening between the spool and sleeve is closed.

③ **Low tilting angle (low flow) command preferential function**

As mentioned above, flow control and horsepower control tilting angle commands are transmitted to the feedback lever and spool via the large-hole sections (C & F) of levers 1 and 2. However, since sections C and F have the pins ($\varnothing 4$) protruding from the large hole ($\varnothing 8$), only the lever lessening the tilting angle contacts the pin (897); the hole ($\varnothing 8$) in the lever of a larger tilting angle command is freed without contacting the pin (897). Such a mechanical selection method permits preference of the lower tilting angle command of the flow control and horsepower control.

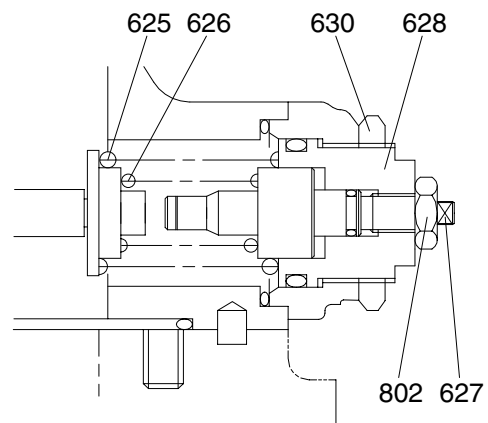
④ **Adjustment of input horsepower**

Since the regulator is of total cumulative horsepower type, adjust the adjusting screws of both the front and rear pumps, when changing the horsepower set values. The pressure change values by adjustment are based on two pumps pressurized at the same time, and the values will be doubled when only one pump is loaded.

a. **Adjustment of outer spring**

Adjust it by loosening the hexagon nut (630) and by tightening (or loosening) the adjusting screw C (628).

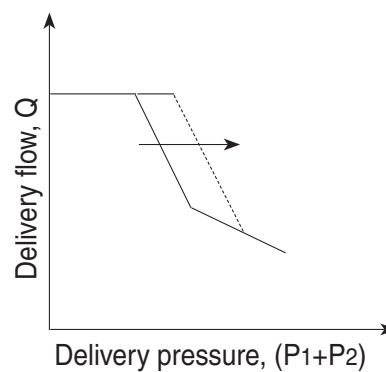
Tightening the screw shifts the control chart to the right and increases the input horsepower as shown in the figure. Since turning the adjusting screw C (628) by N turns changes the setting of the inner spring (626), return the adjusting stem C (627) by $N \times A$ turns at first. ($A=1.85$)



2107A2MP07A

※ **Adjusting value**

Speed (min ⁻¹)	Adjustment of input horsepower		
	Tightening amount of adjusting screw (C) (628) (Turn)	Compensating control starting pressure change amount (kgf/cm ²)	Input torque change amount (kgf · m)
2000	+1/4	+17.7	+3.5



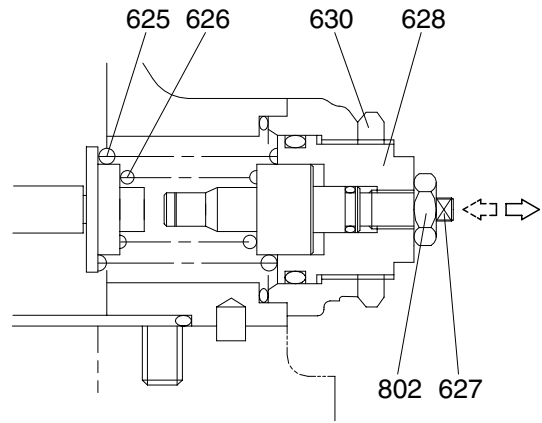
b. Adjustment of inner spring

Adjust it by loosening the hexagon nut (802) and by tightening (or loosening) the adjusting stem C (627).

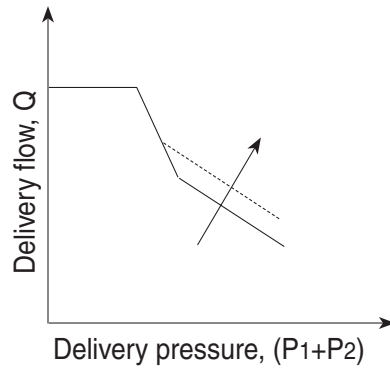
Tightening the screw increases the flow and then the input horsepower as shown in the figure.

※ **Adjusting value**

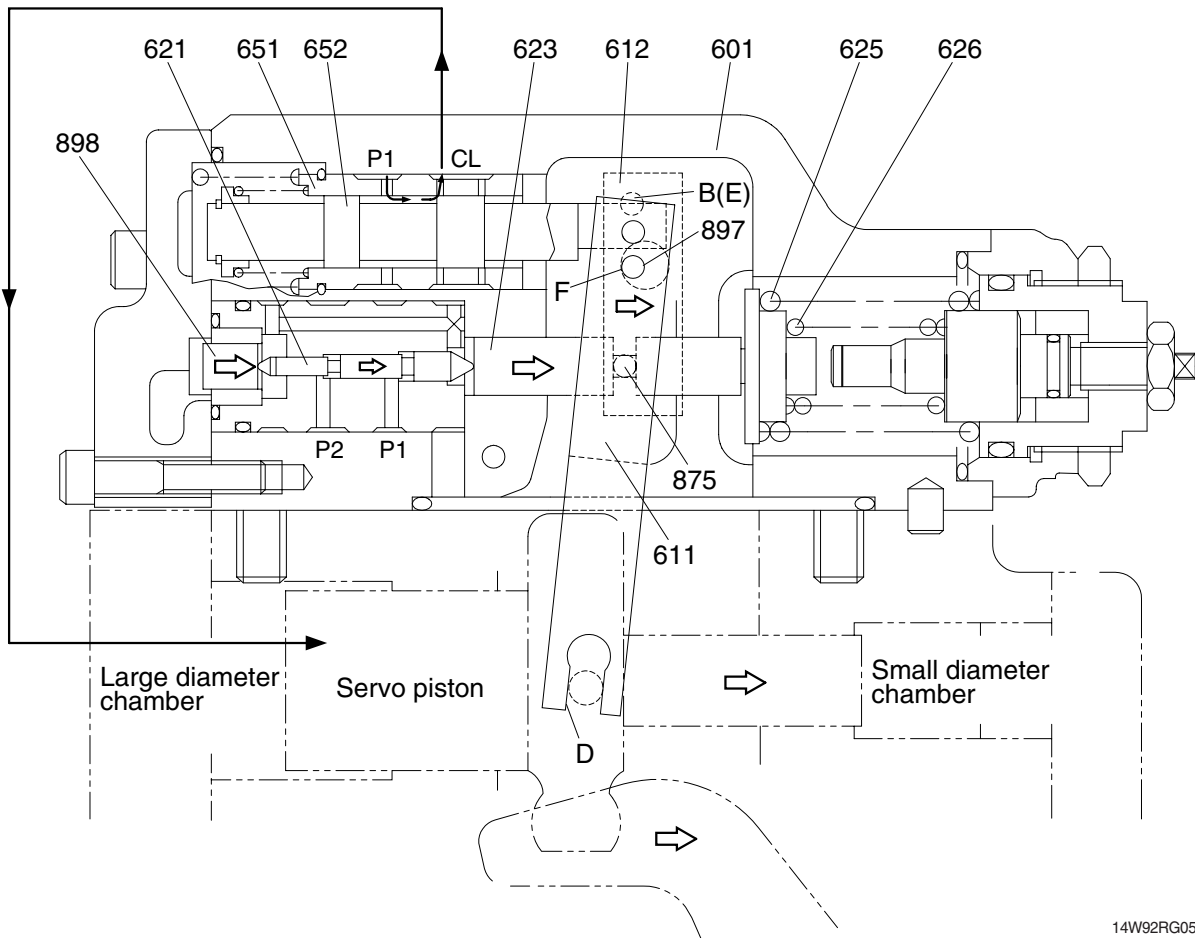
Speed	Adjustment of input horsepower		
	Tightening amount of adjusting stem (C) (627)	Flow change amount	Input torque change amount
(min ⁻¹)	(Turn)	(l /min)	(kgf · m)
2000	+1/4	+8.4	+3.8



2107A2MP08



(3) Power shift control



14W92RG05

The set horsepower valve is shifted by varying the command current level of the proportional pressure reducing valve attached to the pump.

Only one proportional pressure reducing valve is provided.

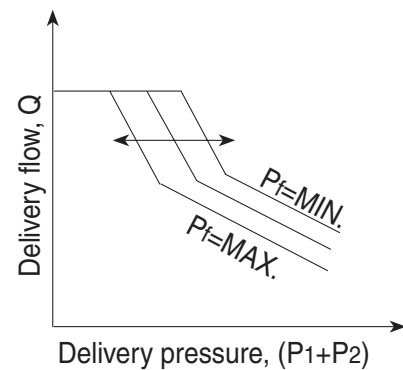
However, the secondary pressure P_f (power shift pressure) is admitted to the horsepower control section of each pump regulator through the pump's internal path to shift it to the same set horsepower level.

This function permits arbitrary setting of the pump output power, thereby providing the optimum power level according to the operating condition.

The power shift pressure P_f controls the set horsepower of the pump to a desired level, as shown in the figure.

As the power shift pressure P_f rises, the compensating rod (623) moves to the right via the pin (898) and compensating piston (621).

This decreases the pump tilting angle and then the set horsepower in the same way as explained in the overload preventive function of the horsepower control. On the contrary, the set horsepower rises as the power shift pressure P_f falls.



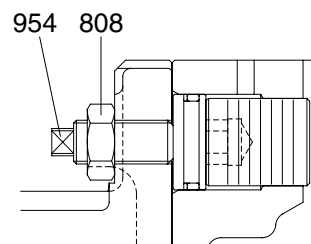
(4) Adjustment of maximum and minimum flows

① Adjustment of maximum flow

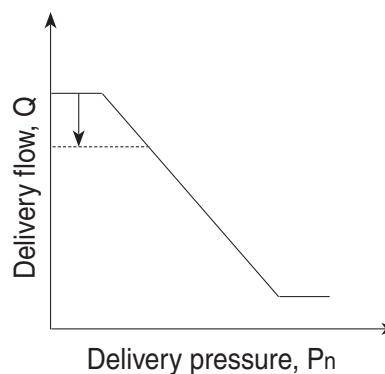
Adjust it by loosening the hexagon nut (808) and by tightening (or loosening) the set screw (954).

The maximum flow only is adjusted without changing other control characteristics.

Speed (min ⁻¹)	Adjustment of max flow	
	Tightening amount of adjusting screw (954) (Turn)	Flow change amount (l/min)
2000	+1/4	-3.2



14W92MP23

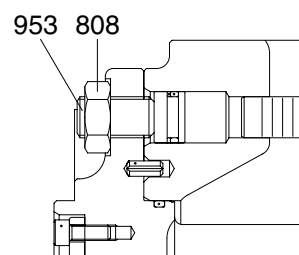


② Adjustment of minimum flow

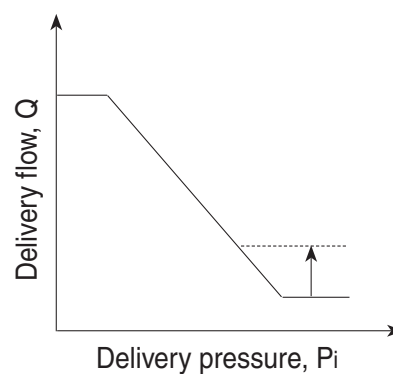
Adjust it by loosening the hexagon nut (808) and by tightening (or loosening) the hexagonal socket head set screw (953). Similarly to the adjustment of the maximum flow, other characteristics are not changed.

However, remember that, if tightened too much, the required horsepower during the maximum delivery pressure (or during relieving) may increase.

Speed (min ⁻¹)	Adjustment of min flow	
	Tightening amount of adjusting screw (953) (Turn)	Flow change amount (l/min)
2000	+1/4	+3.2

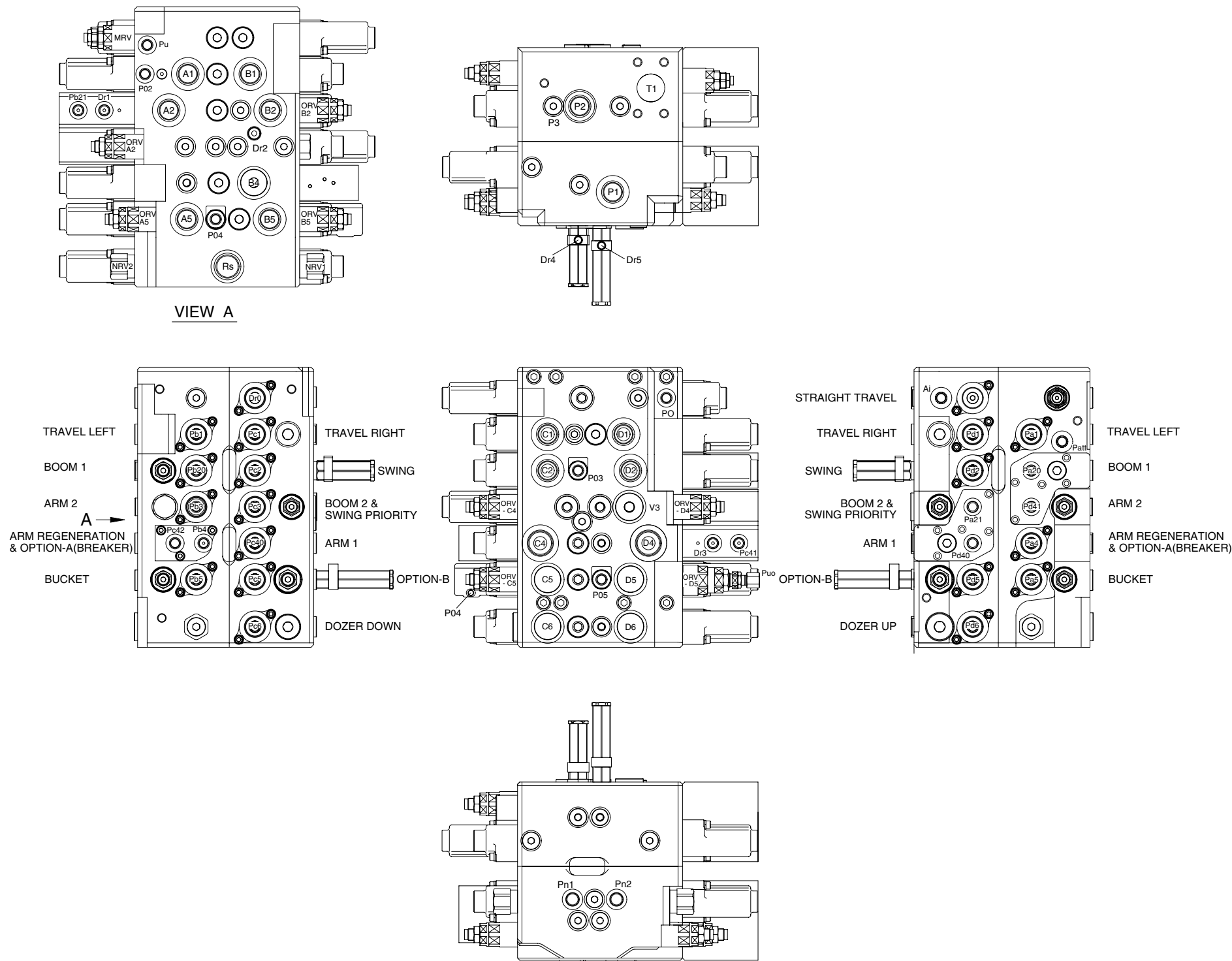


14W92MP24



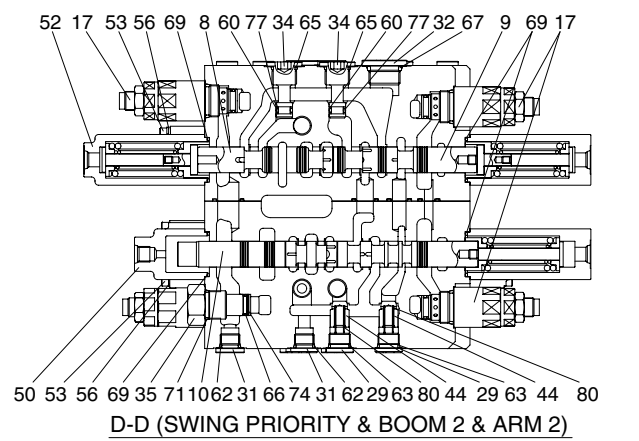
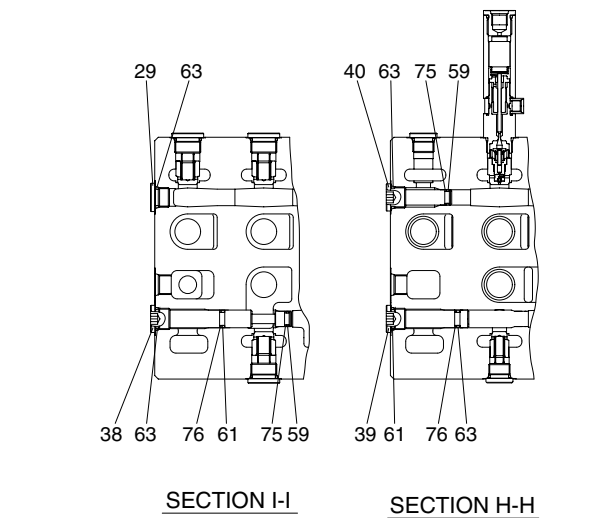
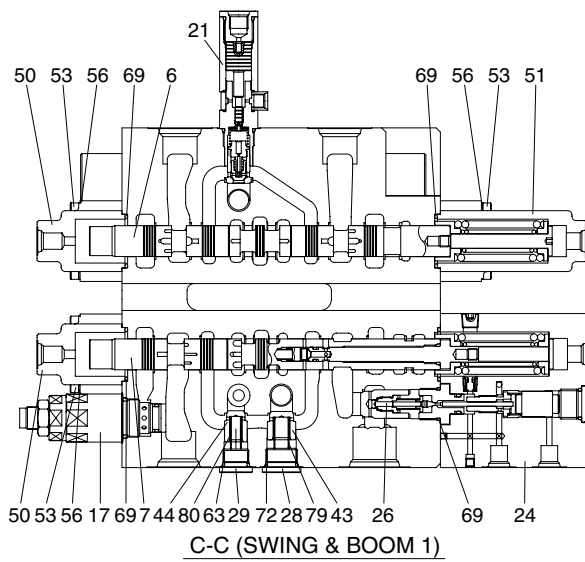
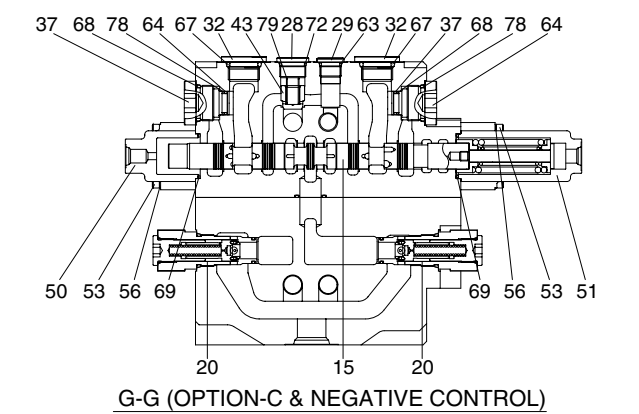
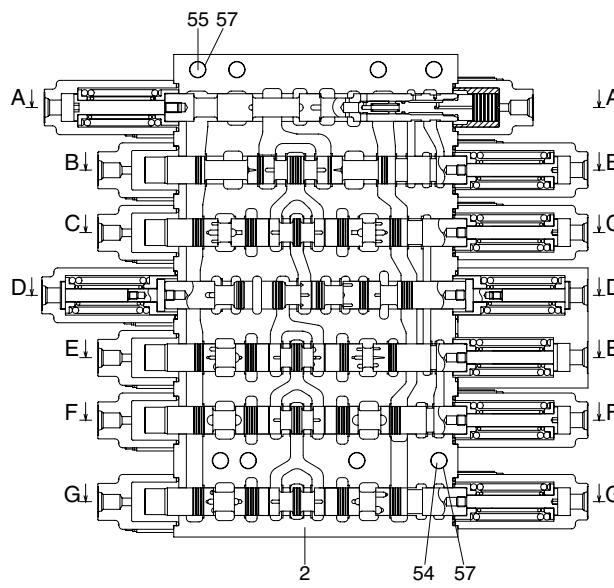
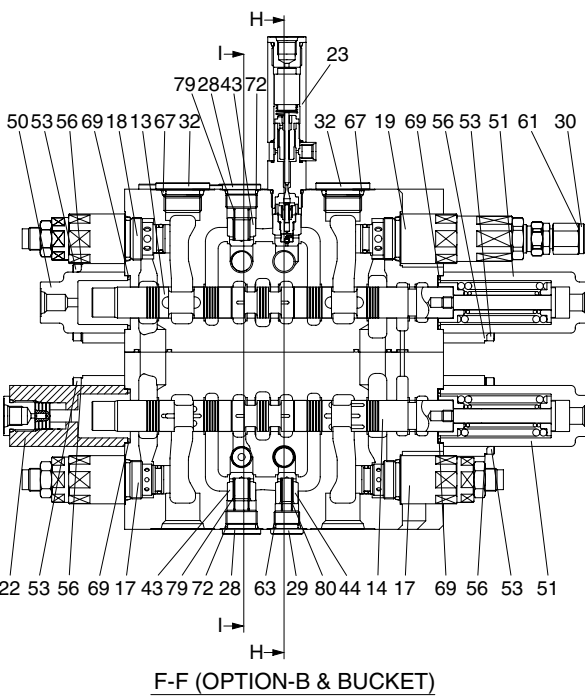
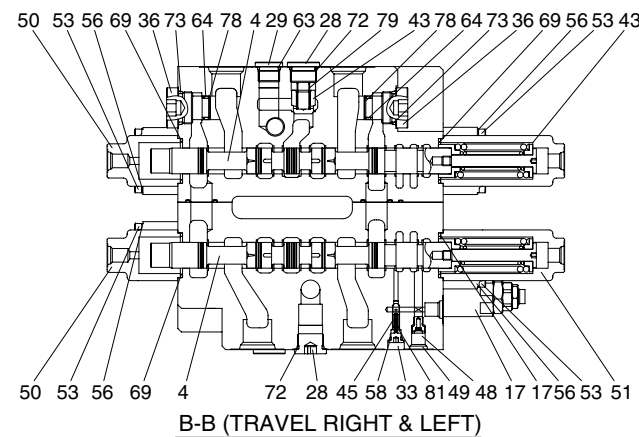
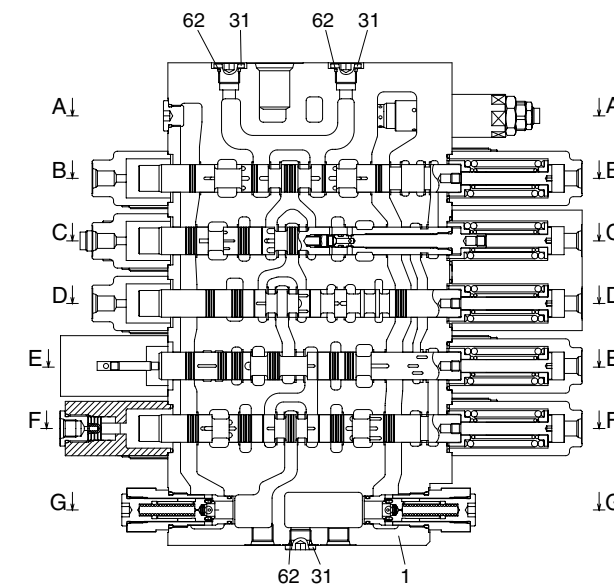
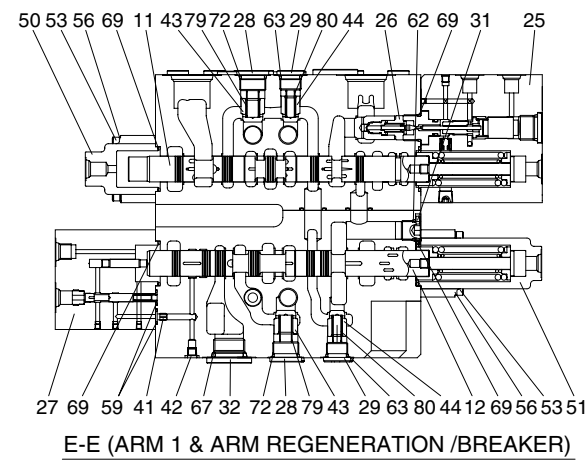
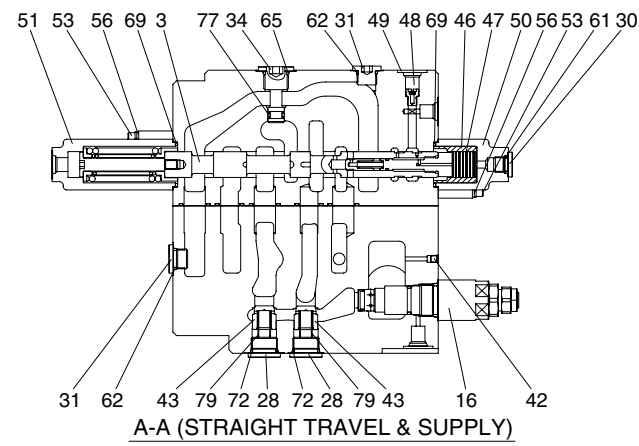
GROUP 2 MAIN CONTROL VALVE

1. STRUCTURE



Mark	Port name	Port size	Tightening torque
Rs	Make up for swing motor	UNF 1 3/16	18 kgf · m (130 lbf · ft)
Pa1	Travel left pilot port (BW)	PF 1/4	3.5~3.9 kgf · m (25.3~28.2 lbf · ft)
Pb1	Travel left pilot port (FW)		
Pc1	Travel right pilot port (FW)		
Pd1	Travel right pilot port (BW)		
Pa20	Boom up pilot port		
Pa21	Boom up confluence pilot port		
Pb20	Boom down pilot port		
Pb21	Lock valve pilot port (boom)		
Pc2	Swing pilot port (RH)		
Pd2	Swing pilot port (LH)		
Pb3	Arm in confluence pilot port		
Pc3	Swing priority pilot port		
Pa4	Option A pilot port (breaker)		
Pb4	Arm in regeneration cut port		
Pc40	Arm in pilot port		
Pc41	Lock valve pilot port (arm)		
Pc42	Arm in regen-cut signal selector port		
Pd40	Arm out pilot port		
Pd41	Arm out confluence pilot port		
Pa5	Bucket in pilot port		
Pb5	Bucket out pilot port		
Pc5	Option B pilot port		
Pd5	Option B pilot port		
Pc6	Option C pilot port (dozer blade down)		
Pd6	Option C pilot port (dozer blade up)		
P0	Pilot pressure port	PF 3/8	7~8 kgf · m (50.6~57.8 lbf · ft)
Pu	Main relief pressure up pilot port		
Ai	Auto idle signal port		
Patt	Auto idle signal-attachment		
P02	Pilot signal port		
P03	Boom priority pilot port		
P04	Boom parallel orifice pilot port		
P05	Breaker summation pilot port		
P3	Quick clamp port		
Puo	Pilot pressure port		
Dr0	Drain port (travel straight)	PF 3/4	15~18 kgf · m (109~130 lbf · ft)
Dr1	Drain port (boom holding valve)		
Dr2	Drain port (boom 2 & swing priority)		
Dr3	Drain port (arm holding valve)		
Pn1	Negative control signal port (P1 port side)		
Pn2	Negative control signal port (P2 port side)		
A1	Travel motor left side port (BW)	PF 1	20~25 kgf · m (115~180 lbf · ft)
B1	Travel motor left side port (FW)		
C1	Travel motor right side port (FW)		
D1	Travel motor right side port (BW)		
B2	Boom rod side port		
C2	Swing motor port (RH)		
D2	Swing motor port (LH)	PF 1/8	1.5~1.9 kgf · m (10.8~13.7 lbf · ft)
B4	Option A port (breaker)		
A5	Bucket head side port		
B5	Bucket rod side port		
C5	Option B port		
D5	Option B port		
C6	Option C pilot port (dozer down port)	SAE3000, 1 1/2 (M12 × 1.75)	8.5~11.5 kgf · m (61.5~83.1 lbf · ft)
D6	Option C pilot port (dozer up port)		
P1	Pump port (P1 side)	PF 1	20~25 kgf · m (115~180 lbf · ft)
P2	Pump port (P2 side)		
A2	Boom head side port	PF 1	20~25 kgf · m (115~180 lbf · ft)
C4	Arm head side port		
D4	Arm rod side port		
Dr4	Drain port (swing logic valve)	PF 1/8	1.5~1.9 kgf · m (10.8~13.7 lbf · ft)
Dr5	Drain port (flow summation)		
T1	Return port	SAE3000, 1 1/2 (M12 × 1.75)	8.5~11.5 kgf · m (61.5~83.1 lbf · ft)

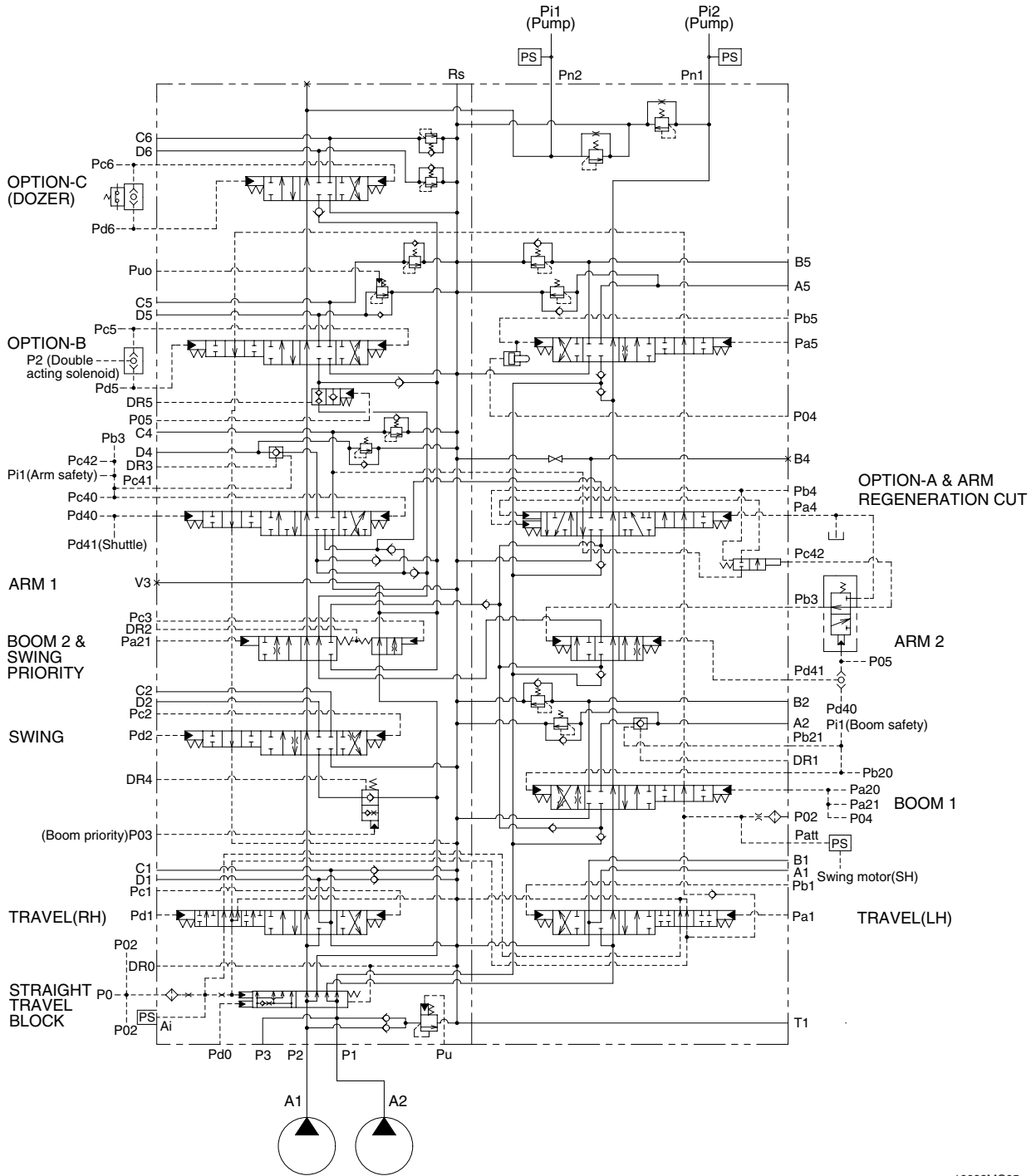
16092MC01



- | | |
|---------------------------|---------------------------|
| 1 Housing-P1 | 43 Load check-poppet |
| 2 Housing-P2 | 44 Load check-poppet |
| 3 Spool-straight travel | 45 Signal-poppet |
| 4 Spool-travel (LH, RH) | 46 Travel straight-sleeve |
| 6 Spool-swing | 47 Travel straight-piston |
| 7 Spool-boom 1 | 48 Orifice signal |
| 8 Spool-swing priority | 49 Coin type filter |
| 9 Spool-boom 2 | 50 Pilot cap |
| 10 Spool-arm 2 | 51 Pilot cap |
| 11 Spool-arm 1 | 52 Pilot cap |
| 12 Spool-arm regeneration | 53 Socket bolt |
| 13 Spool-option B | 54 Socket bolt |
| 14 Spool-bucket | 55 Socket bolt |
| 15 Spool-option C (dozer) | 56 Washer |
| 16 Main relief valve | 57 Spring washer |
| 17 Overload relief valve | 58 O-ring |
| 18 Overload relief valve | 59 O-ring |
| 19 Overload relief valve | 60 O-ring |
| 20 Negacon relief valve | 61 O-ring |
| 21 Swing logic valve | 62 O-ring |
| 22 Bucket logic valve | 63 O-ring |
| 23 Option on-off valve | 64 O-ring |
| 24 Holding valve kit A1 | 65 O-ring |
| 25 Holding valve kit A2 | 66 O-ring |
| 26 Holding valve kit B | 67 O-ring |
| 27 Regeneration block | 68 O-ring |
| 28 Plug | 69 O-ring |
| 29 Plug | 70 O-ring |
| 30 Plug | 71 O-ring |
| 31 Plug | 72 O-ring |
| 32 Plug | 73 O-ring |
| 33 Plug | 74 Backup-ring |
| 34 Plug-parallel | 75 Backup-ring |
| 35 Plug-relief cat | 76 Backup-ring |
| 36 Plug-relief cat | 77 Backup-ring |
| 37 Plug-relief cat | 78 Backup-ring |
| 38 Plug-bucket | 79 Load check spring |
| 39 Plug-bucket parallel | 80 Load check spring |
| 40 Plug-option | 81 Poppet signal spring |
| 41 Plug-orifice | 82 Pin |
| 42 Plug | |

16092MC02

2. HYDRAULIC CIRCUIT



16092MC05

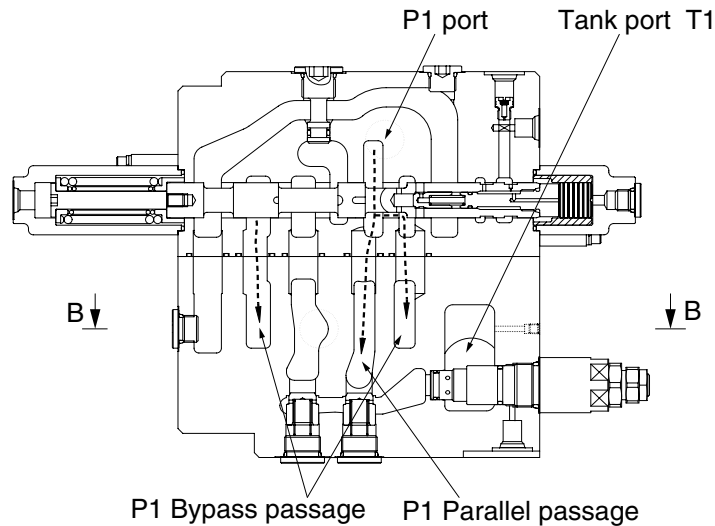
3. FUNCTION

1) CONTROL IN NEUTRAL

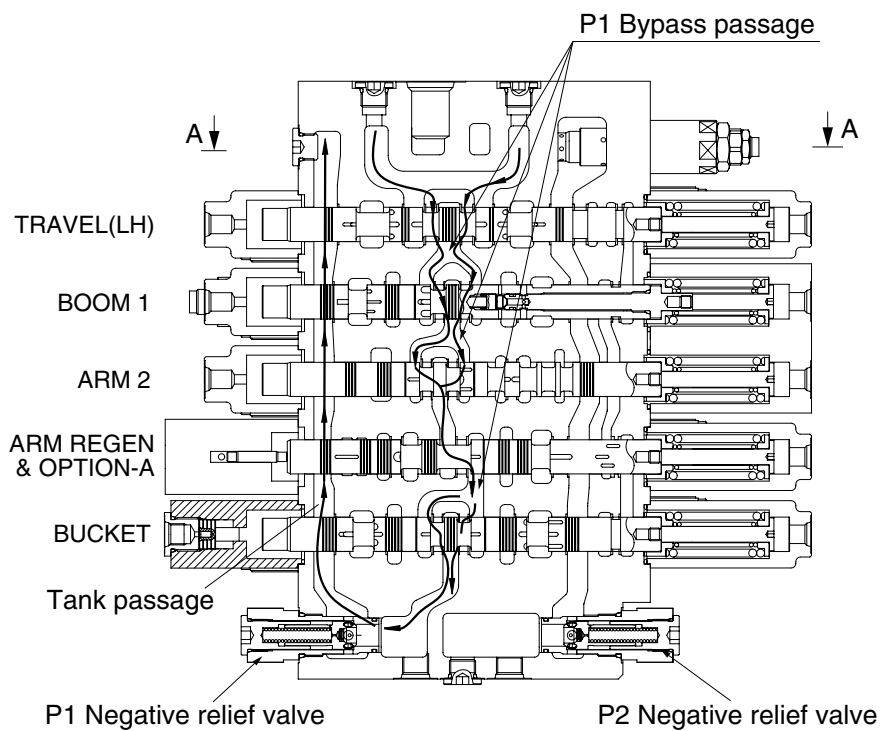
(1) P1 SIDE

The hydraulic fluid from pump A2 flows into the main control valve through the inlet port "P1", pass the straight travel spool into the P1 bypass passage and P1 parallel passage.

The hydraulic fluid from the pump A2 is directed to the tank through the bypass passage of spools : travel left, boom 1, arm 2, arm regeneration & option A and bucket, the negative relief valve of P1, tank passage, and the tank port "T1"



SECTION A-A



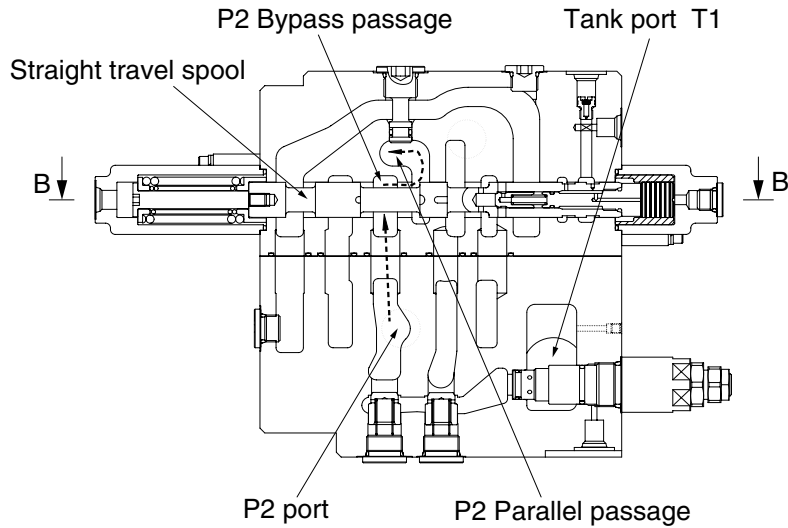
SECTION B-B

16092MC11

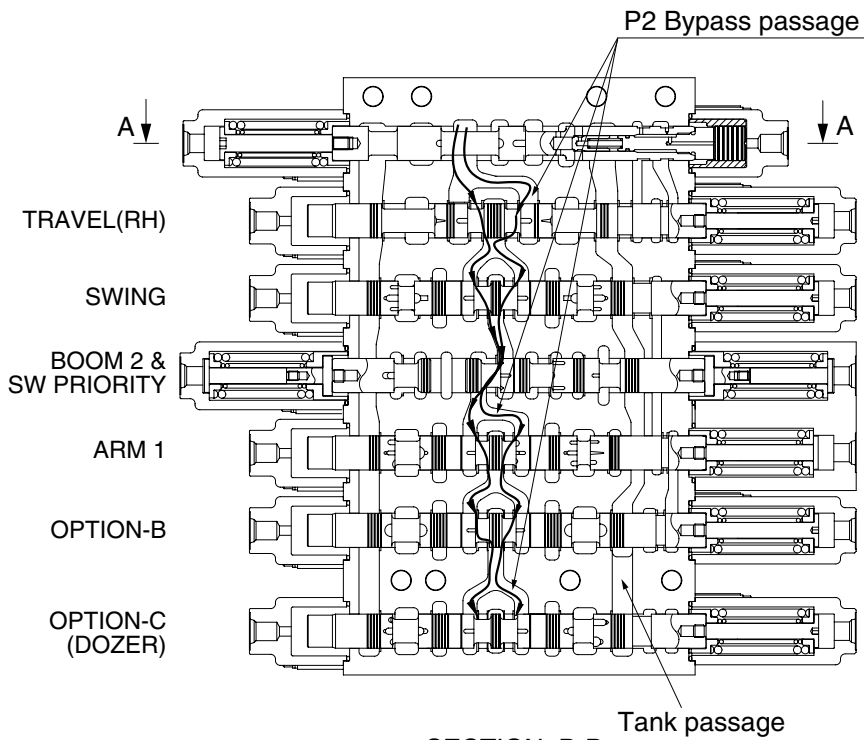
(2) P2 SIDE

The hydraulic fluid from pump A1 flows into the main control valve through the inlet port "P2", into the P2 bypass passage and P2 parallel passage.

The hydraulic fluid from the pump A1 is directed to the tank through the bypass passage of spools : travel right, swing, boom 2 & swing priority, arm 1, option "B" and option "C" (dozer), the negative relief valve of P2, tank passage and the tank port "T1".



SECTION A-A

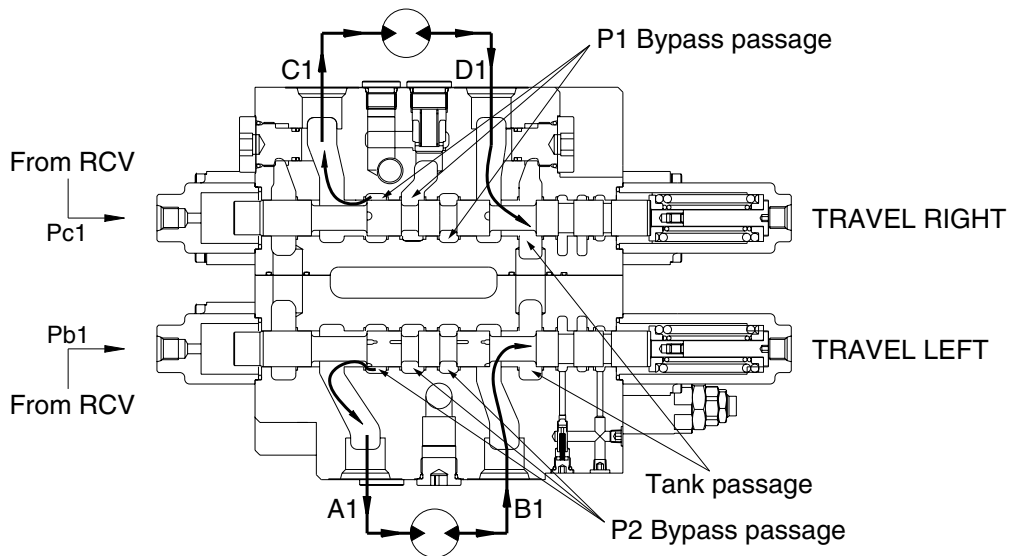


SECTION B-B

14092MC12

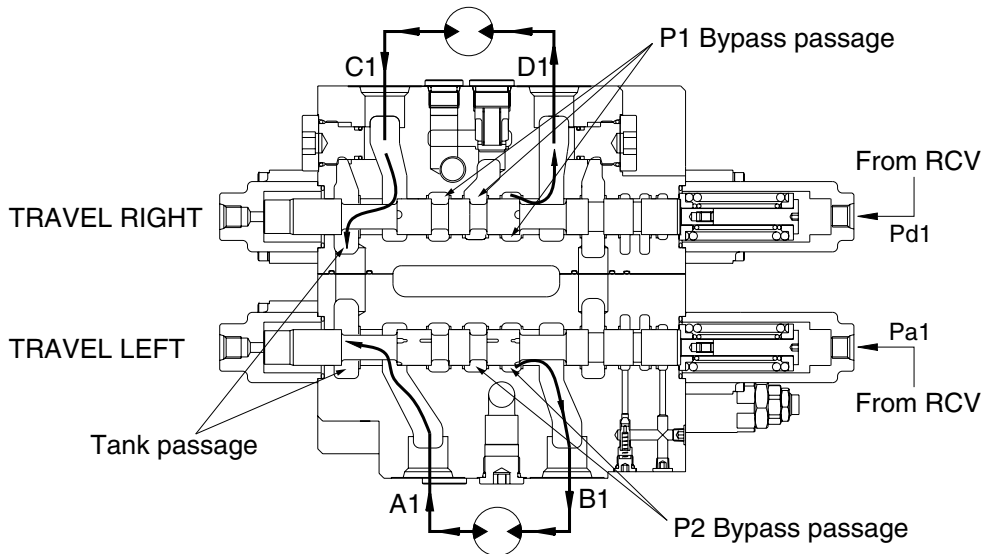
2) TRAVEL OPERATION

(1) TRAVEL FORWARD OPERATION



14092MC18

(2) TRAVEL BACKWARD OPERATION



14092MC17

During the travel forward operation, the hydraulic fluid of the pump A2 is supplied to the travel left motor and the hydraulic fluid of the pump A1 is supplied to the other travel right motor.

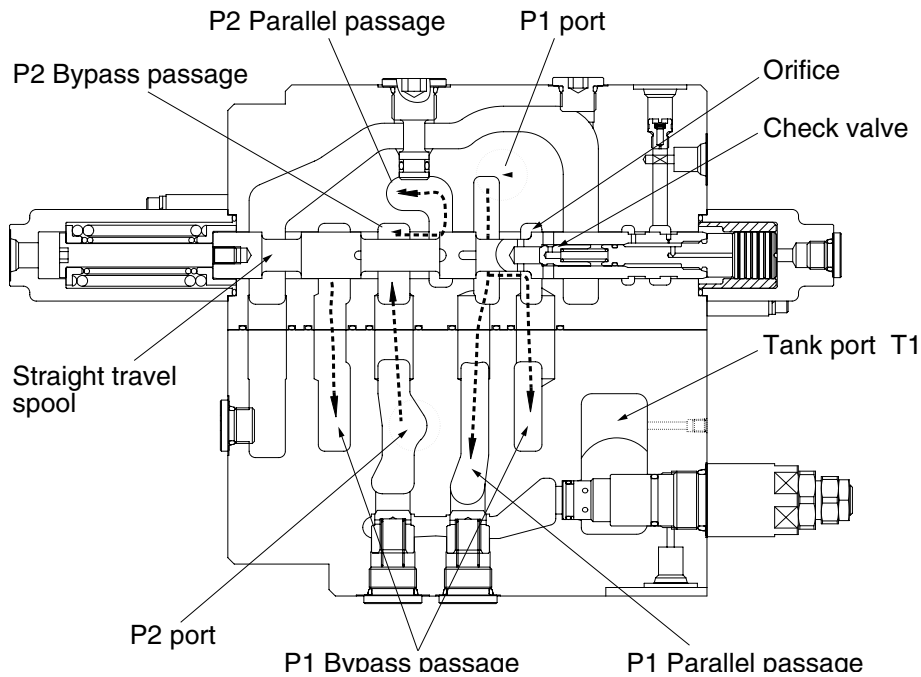
The pilot pressure from the pilot control valve is supplied to the spring side of pilot port (pb1, pc1).

And it shifts travel right and left spools in the left direction against springs. Hydraulic fluid from the pump A1 flow into the travel right spool through the bypass passage and hydraulic fluid from the pump A2 flow into the travel left spool through the bypass passage.

Then they are directed to the each travel motor through port A1 and C1. As a result, the travel motors turn and hydraulic fluid returns to the tank passage through the travel spools.

In case of the reverse operation, the operation is similar.

(3) TRAVEL STRAIGHT FUNCTION



14092MC19

This function keeps straight travel in case of simultaneous operation of other actuators (boom, arm, bucket, swing) during a straight travel.

① **During travel only :**

The hydraulic fluid of the pump A1 is supplied to the travel right motor and the pump A2 is supplied to the travel left motor.

Thus, the machine keep travel straight.

② **The other actuator operation during straight travel operation :**

When the other actuator spool (s) is selected under straight travel operation, the straight travel spool is moved.

The hydraulic fluid from pump A2 is supplied actuator through P2 and P1 parallel pass and travel motors through orifice at side of straight travel spool.

The hydraulic oil fluid from pump A1 is supplied to travel motors (left/right).

Therefore, the other actuator operation with straight travel operation, hydraulic oil fluid from pump A2 is mainly supplied to actuator, and the hydraulic oil fluid form pump A1 is mainly supplied to travel motors (left/right).

Then the machine keeps straight travel.

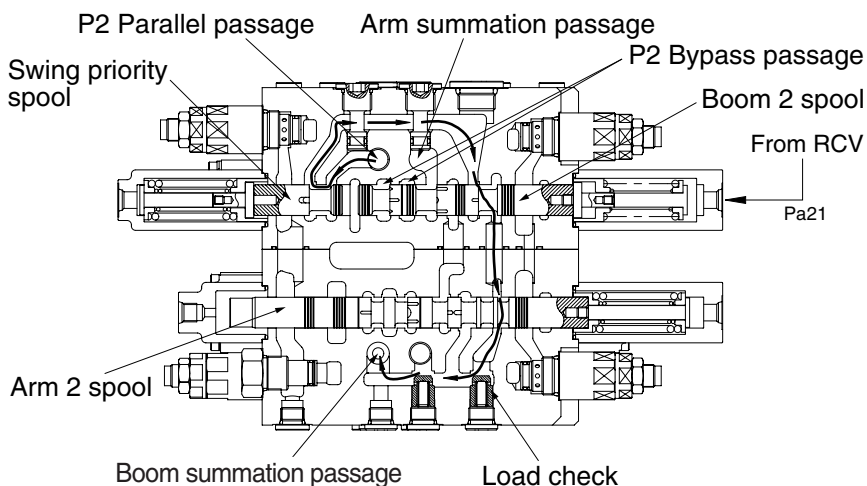
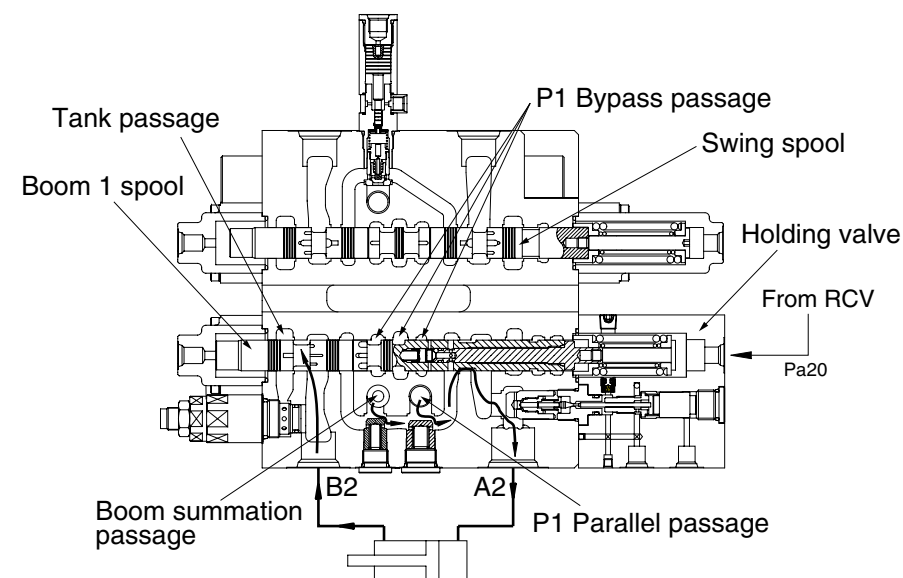
3) BOOM OPERATION

(1) BOOM UP OPERATION

During boom up operation, the pilot secondary pressure from RCV is supplied to the port Pa20 of the spring side and shifts the boom 1 spool in the left direction. The bypass passage is shut off by the movement of the boom 1 spool and the hydraulic oil fluid from pump A2 is entered P1 parallel passage and then passes through the load check, bridge passage and boom holding valve then flows into the port A2. Following this it flows into the head side of the boom cylinder. (In this case, the boom holding valve is free flow condition)

At the same time, the pilot pressure from RCV is supplied to the port Pa21 of the spring side of boom 2 and shifts the boom 2 spool. The bypass passage is shut off by the movement of the boom 2 spool and the hydraulic oil fluid from pump A1 entered boom summation passage via the P2 parallel passage, the land of the swing priority spool, notch of the boom 2 spool, arm 2 spool and the check. The flows combine in passage and are directed to port A2 and head side of boom cylinder.

At the same time, the flow from rod side of the boom cylinder return to the boom 1 spool through the port B2. Thereafter it is directed to the hydraulic oil tank through the tank passage.



(2) BOOM DOWN OPERATION

During the boom lowering operation, the pilot pressure from RCV is supplied to the port Pb20 of the spring opposite side and shifts the boom 1 spool in the right direction.

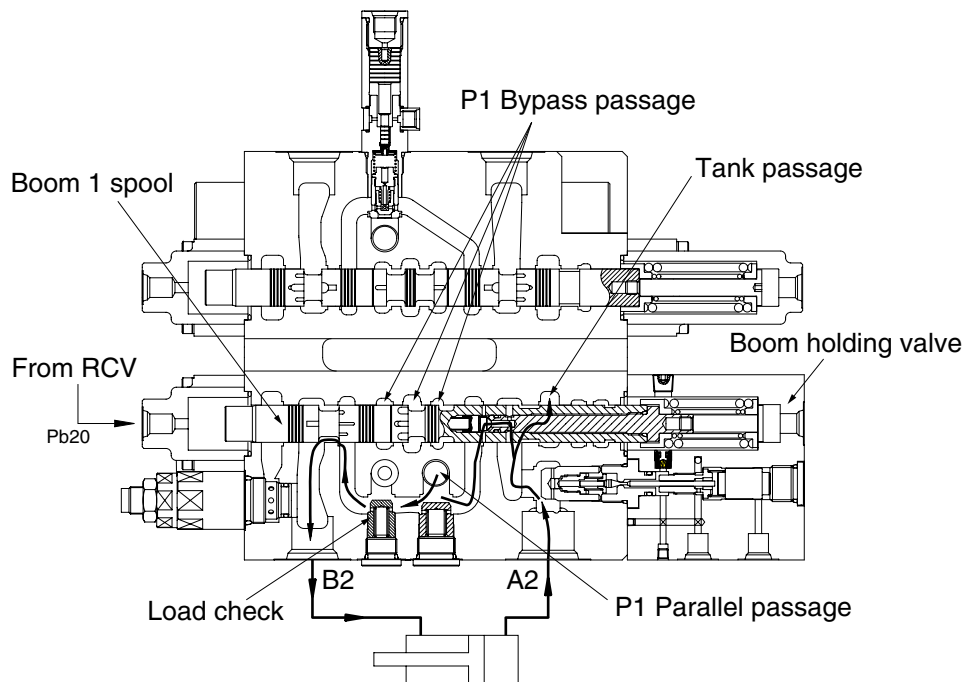
The bypass passage is shut off by the movement of the boom 1 spool and the hydraulic fluid from the pump A2 enters the parallel passage and is directed to the port B2 through the load check. Following this, it flows into the rod side of the boom cylinder.

At the same time, the return flow from the head side of the boom cylinder returns to the port A2 and boom holding valve. And it is directed to the hydraulic oil tank through opened tank passage by movement of the boom 1 spool.

Meanwhile some of return flow is directed to P1 parallel passage through the internal passage of the boom 1 spool. (boom regeneration)

In this case, the holding valve is open condition, for details of the boom holding valve, see page following page.

During the boom lowering operation, the fluid from A1 pump is not summation.



14W92MC26

4) HOLDING VALVE OPERATION

(1) HOLDING OPERATION

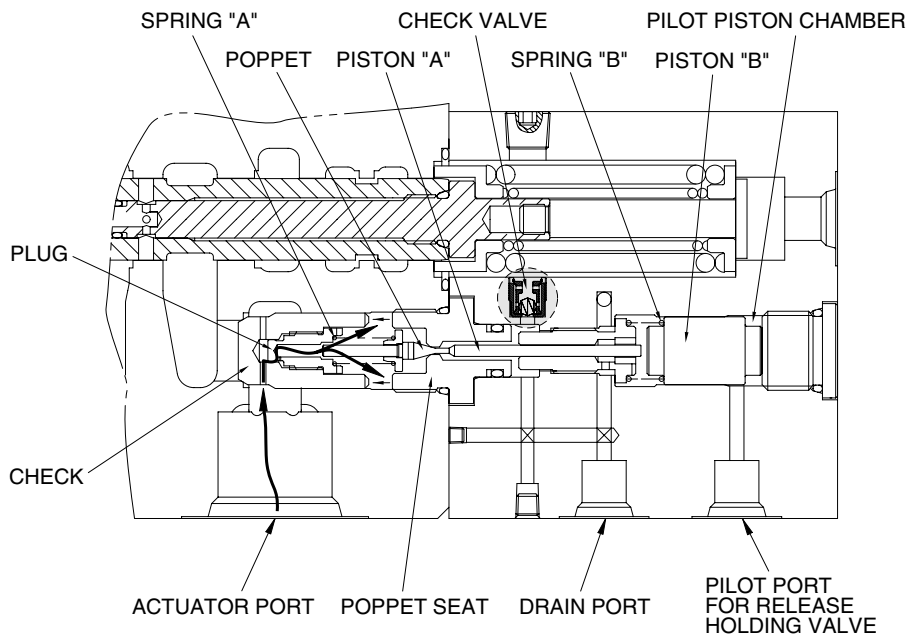
At neutral condition, the pilot piston chamber is connected to drain port through the pilot port.

And the piston "B" is supported with spring "B".

Also, the pressured fluid from actuator entered to inside of the holding valve through the periphery hole of check, crevice of the check and the plug and the periphery hole of plug.

Then, this pressured oil pushed the poppet to the poppet seat and the check to the seat of body.

So the hydraulic fluid from actuator is not escaped and the actuator is not moved.



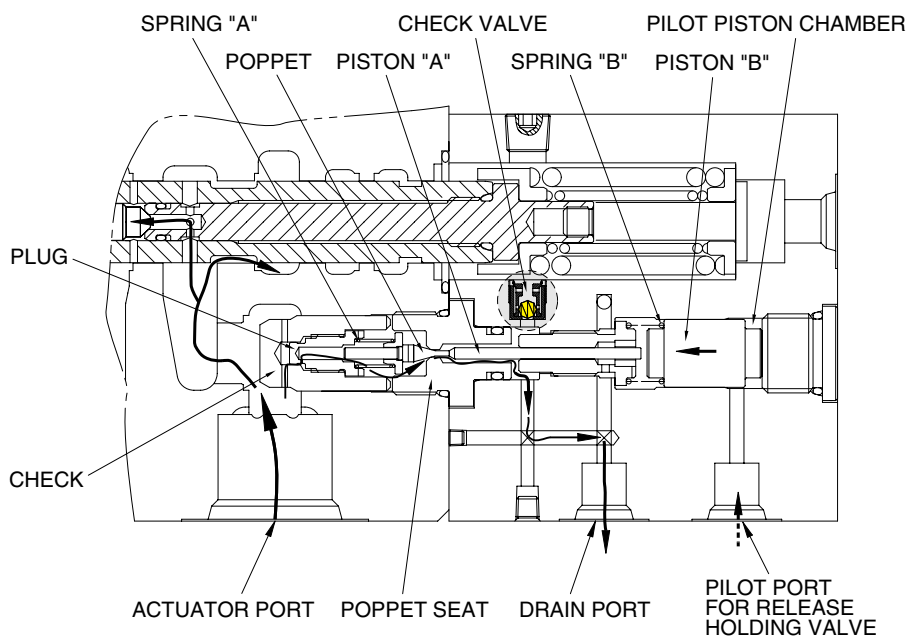
14W92MC15

(2) RELEASE HOLDING OPERATION

The pilot pressure is supplied to the pilot port for release holding valve and shifts the piston "B" in the left direction against the spring "B", and shifts the poppet in the left direction through piston "B" and piston "A" against spring "B" and shifts the spool in the left side.

At same time, the return fluid from actuator returns to the drain port through the periphery hole of check, crevice of the check and the plug, the periphery hole of the plug, in side of holding valve, crevice of the poppet and the poppet seat, the periphery hole of the poppet seat, crevice of socket and spool and internal passage of spool.

When the poppet is opened, pressure of inside of holding valve is decreased and the return fluid from actuator returns to the tank passage through the notch of spool.



14W92MC16

5) BUCKET OPERATION

(1) BUCKET IN OPERATION

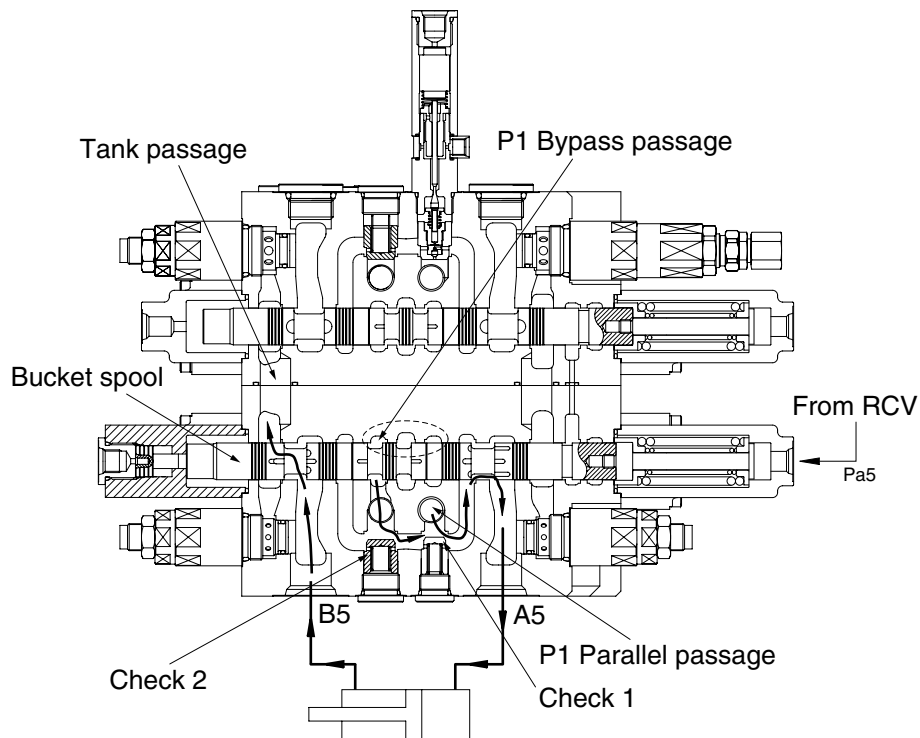
During the bucket in operation, the pilot secondary pressure from RCV is supplied to port Pa5 of the spring side and shifts the bucket spool in the left direction.

The bypass passage is shut off by the movement of the bucket spool and the hydraulic fluid from pump A2 entered P1 parallel passage and is directed to the port A5 through the check 1.

At the same time, the hydraulic fluid from P1 bypass passage is directed to the port A5 through the check 2.

Following this it flows into the head side of the bucket cylinder.

The return flow from the rod side of the bucket cylinder returns to the bucket spool through the port B5. Thereafter it is directed to the hydraulic oil tank through the tank passage.



16092MC34

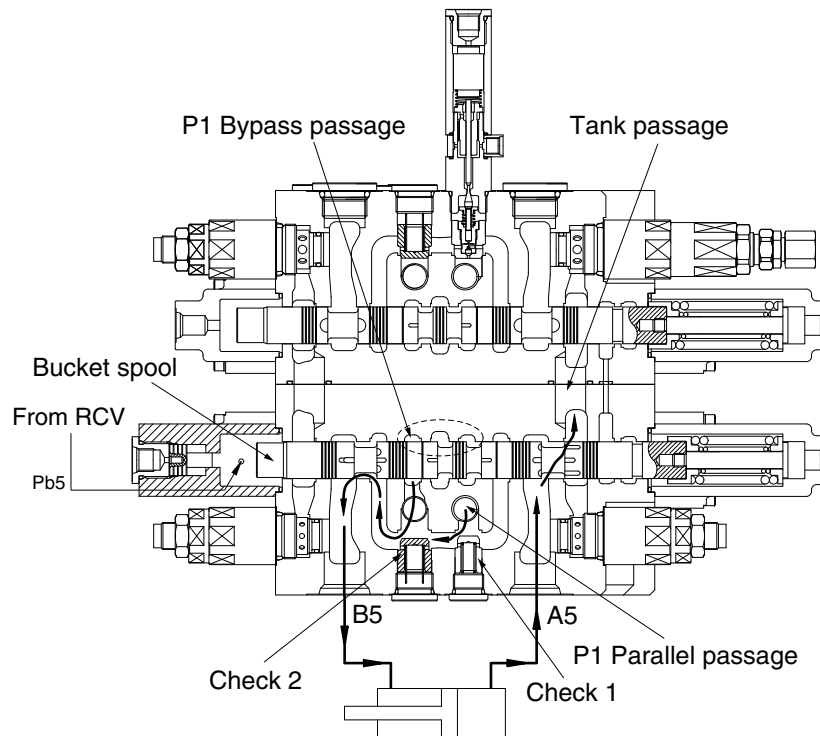
(2) BUCKET OUT OPERATION

During the bucket out operation, the pilot secondary pressure from RCV is supplied to port Pb5 of the spring opposite side and shifts the bucket spool in the right direction.

The bypass passage is shut off by the movement of the bucket spool and the hydraulic fluid from pump A2 entered P1 parallel passage and is directed to the port B5 through the check 1.

At the same time, the hydraulic fluid from P1 bypass passage is directed to the port B5 through the check 2.

The return flow from the head side of the bucket cylinder returns to the hydraulic oil tank through the port A5 and the tank passage.



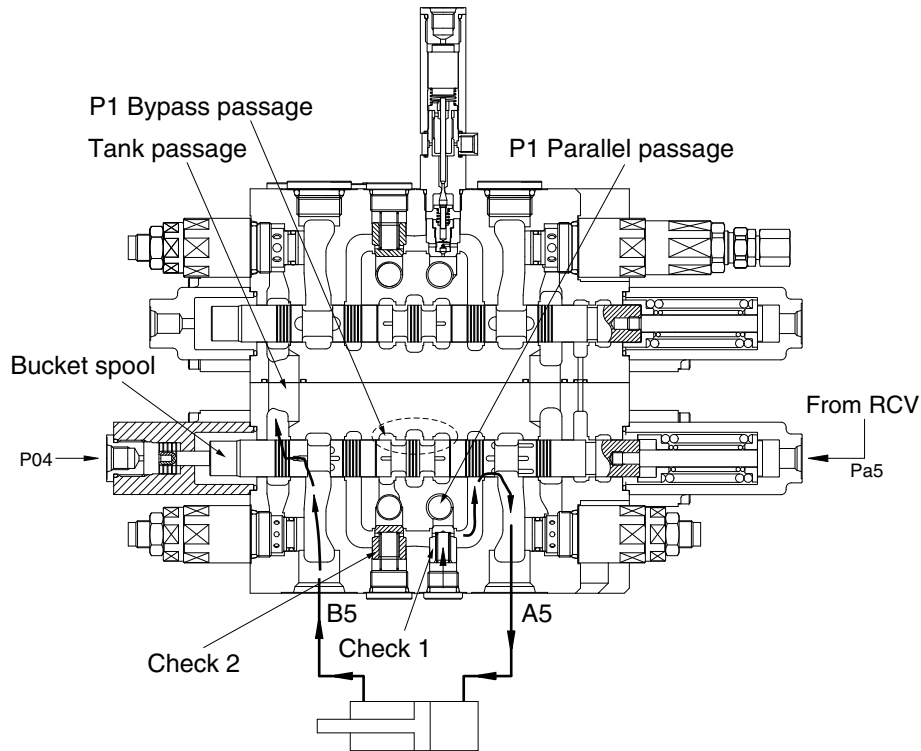
140W9A2MC35

(3) BUCKET IN OPERATION WITH BOOM UP OPERATION

When combined operation, mostly same as previous page.

When bucket in operation with boom up operation, the boom up pilot pressure is supplied the pilot port of bucket spool stroke limit and piston is shifted to the right and then the bucket spool stroke is limited and the open of bucket spool is reduced.

Accordingly, the oil of bucket spool is reduced and boom speed up.



140W9A2MC29

6) SWING OPERATION

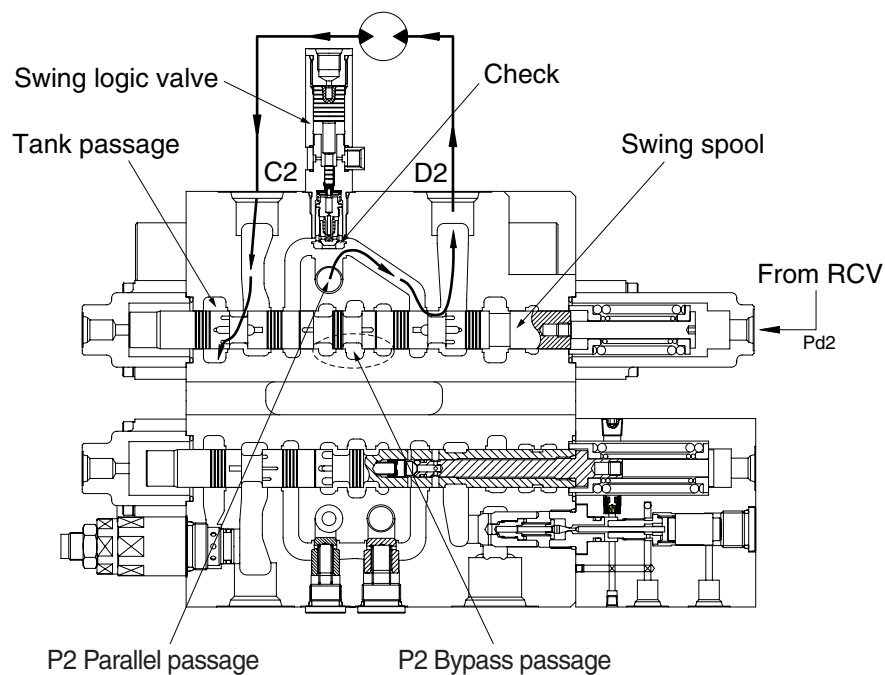
(1) SWING LEFT & RIGHT OPERATION

During the swing left operation, the pilot secondary pressure from the RCV is supplied to the port Pd2 of the spring side and shift the swing spool in left direction. The bypass passage is shut off by the movement of the swing spool and the hydraulic fluid from pump A1 flows into swing spool through the P2 parallel passage. Then it is directed to swing motor through the port D2.

As the result, swing motor turns and flow from the swing motor returns to the hydraulic oil tank through the port C2, swing spool and the tank passage.

In case of swing right operation, the operation is similar to swing left operation but the pilot secondary pressure from the RCV is supplied to the port Pc2 of the spring opposite side.

Accordingly, the hydraulic fluid from pump A1 flows into swing motor through the port C2 and returns to the hydraulic oil tank through the port D2 and the tank passage.

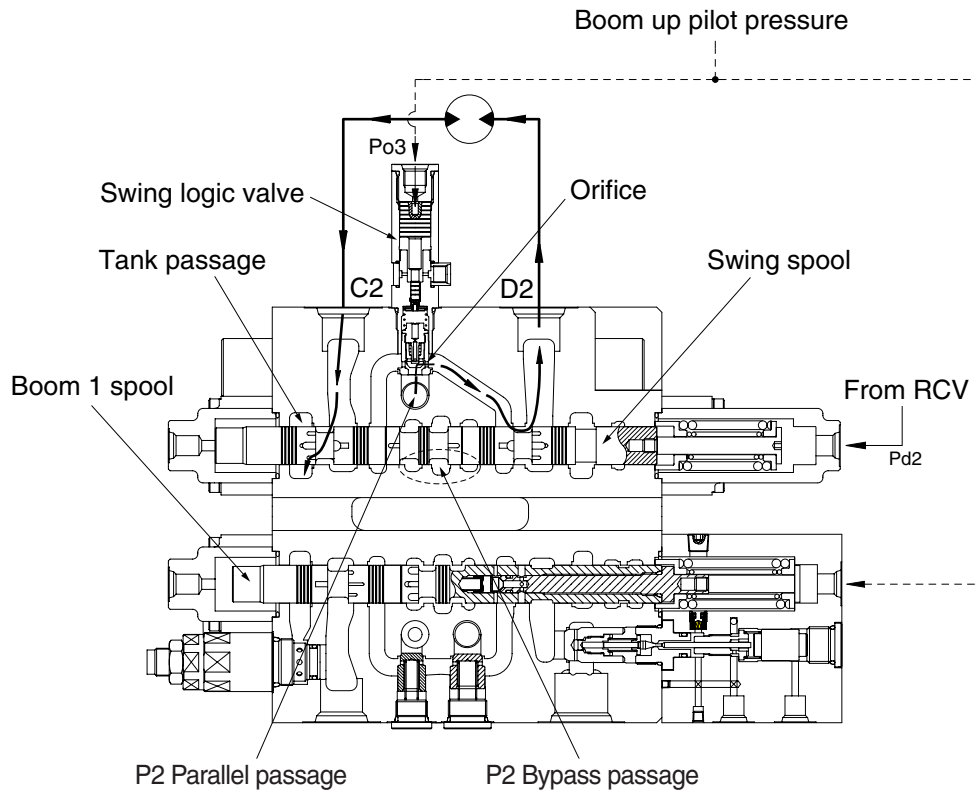


14W92MC32

(2) SWING LEFT OPERATION WITH ARM OR BOOM OPERATION

When combined operation, mostly same as previous page but the fluid from P2 bypass passage is empty.

So only the fluid from parallel passage is supplied to the swing motor. Also, parallel passage is installed the orifice of swing logic valve for supplying the fluid from pump A1 to the boom or the arm operation prior to the swing operation. In case of the swing right operation with arm or boom



14W92MC20

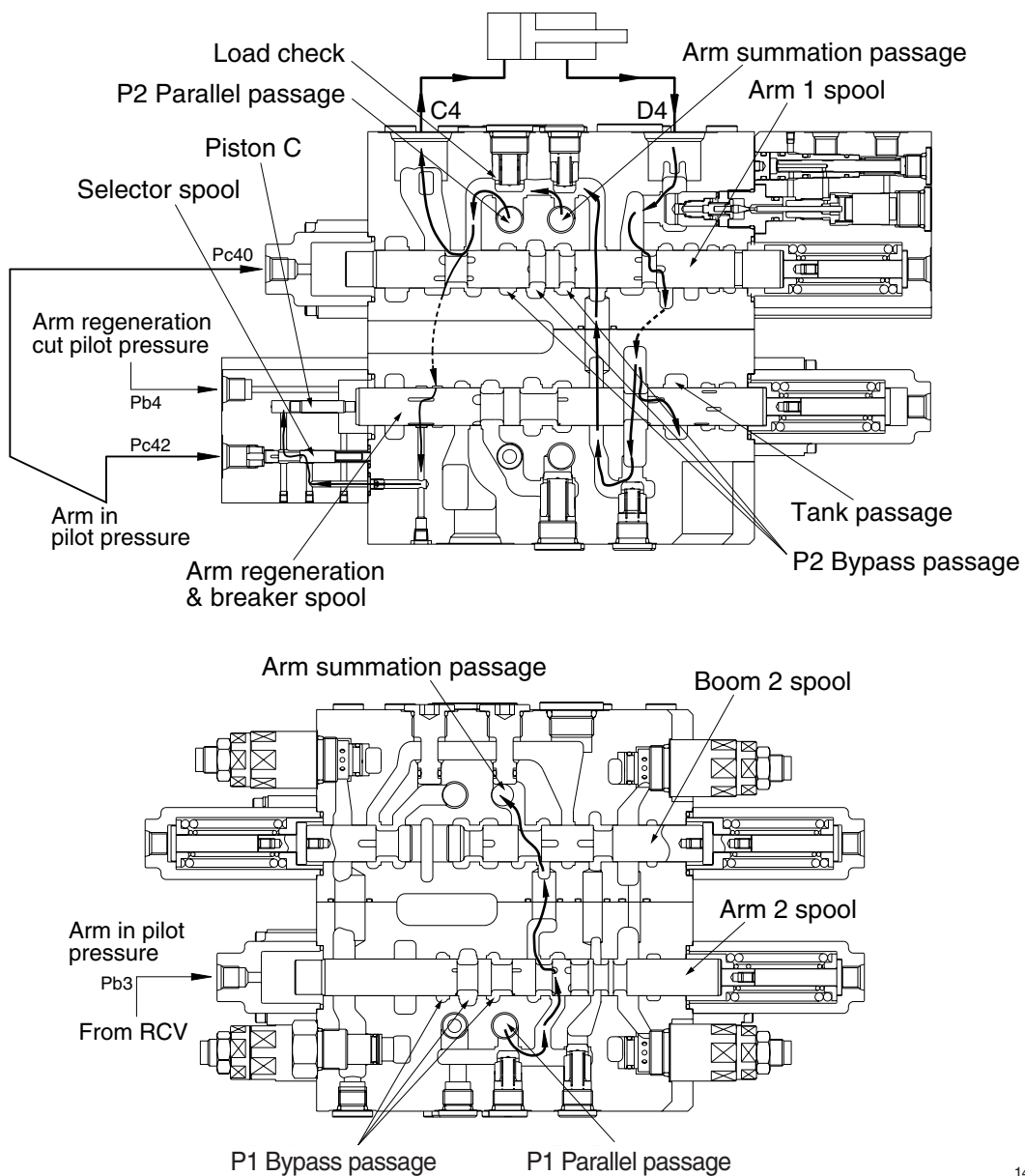
7) ARM OPERATION

(1) ARM IN OPERATION

During arm in operation, the pilot secondary pressure from the RCV is supplied to the port Pc40 of spring opposite side and shifts arm 1 spool in the right direction.

The bypass passage is shut off by the movement of the arm 1 spool and the hydraulic oil from the pump A1 flows into the arm cylinder head side through P2 parallel passage, the load check valve, bridge passage and the port C4.

At same time, the pilot secondary pressure from the RCV is supplied to the port Pb3 of spring opposite side and shifts arm 2 spool in the right direction. The bypass passage is shut off by the movement of the arm 2 spool and the hydraulic fluid from the pump A2 flows into the arm summation passage through P1 parallel passage, the check valve, the arm 2 spool and the boom 2 spool. Then it entered the arm cylinder head side with hydraulic fluid from arm 1 spool.



14W92MC21

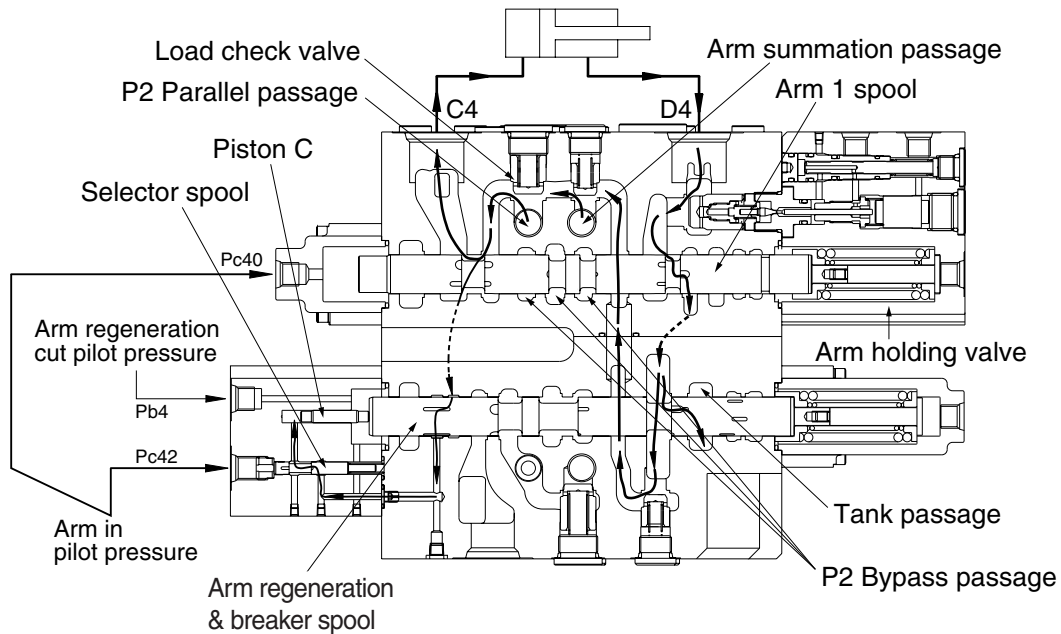
ARM REGENERATION

The return flow from the arm cylinder rod side is pressurized by self weight of arm and so, returns to port D4. The pressurized oil returning to port D4 enters the arm regeneration & breaker spool through the arm holding valve and the arm 1 spool. It is supplied the arm cylinder head through internal passage. This is called the arm regeneration function.

The amount of regeneration fluid is changed by movement of the arm regeneration spool. A few fluids after P2 parallel passage is push piston "C" through the notch of arm regeneration spool and selector spool. At this time, the selector spool is opened by pilot pressure from RCV.

Then, the arm regeneration spool shifts to right side and flow to tank pass increases and regeneration flow decreases. Therefore, pressure of arm cylinder head increases, then, arm regeneration flow decreases.

Furthermore, the arm regeneration cut pressure is supplied to the port Pb4 of spring opposite side and arm regeneration spool is move into the right direction fully. The flow from the arm cylinder rod is returned to the hydraulic oil tank and regeneration function is not activated. (The return fluid is maximum condition)



14W92MC22

(2) ARM OUT OPERATION

During arm out operation, the pilot secondary pressure from RCV is supplied to the port Pd40 of spring side and shifts arm 1 spool in the left direction.

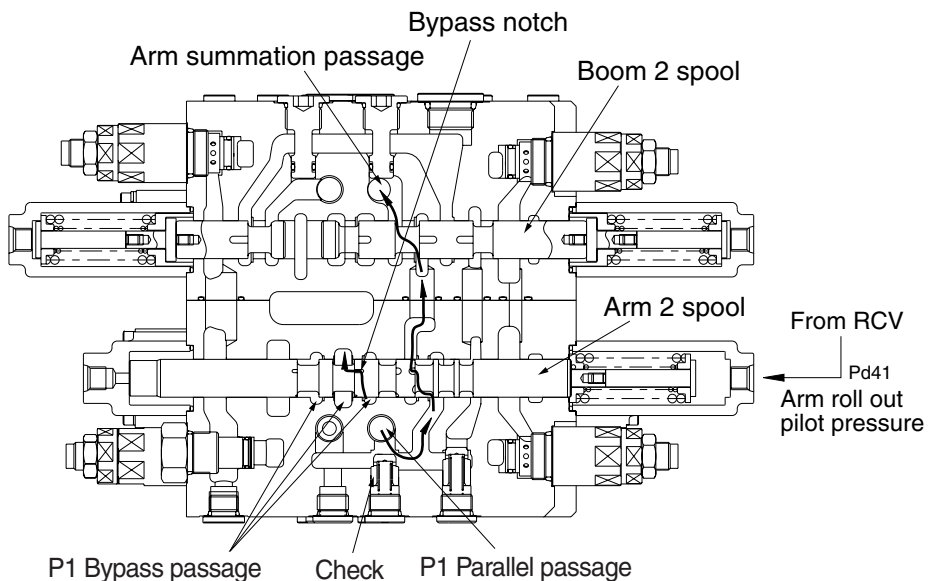
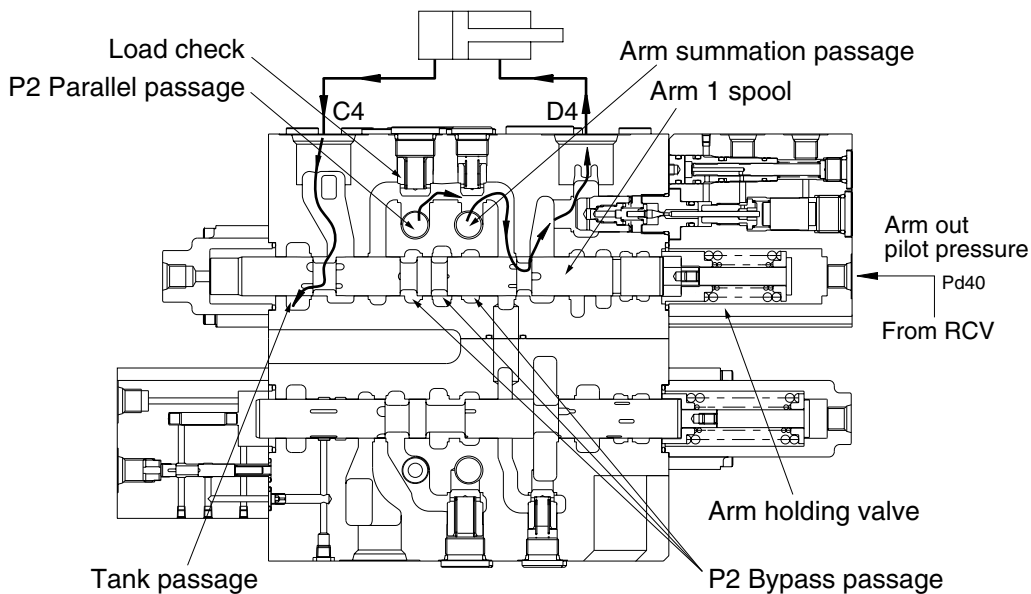
The bypass passage is shut off by the movement of the arm 1 spool and the hydraulic fluid from pump A1 flows into arm 1 spool through the P2 parallel passage. Then it enters into the arm cylinder rod side through the load check, bridge passage, arm holding valve and the port D4.

Also, the pilot secondary pressure from RCV is supplied to the port Pd41 of spring side and shifts arm 2 spool in the left direction.

The bypass passage is shut off by the movement of the arm 2 spool and some of the hydraulic fluid from pump A2 bypassed through bypass notch. The rest of hydraulic fluid from pump A2 flows into the arm summation passage through P1 parallel passage, the check valve, arm 2 spool and boom 2 spool.

Then it enters into the arm cylinder rod side with the fluid from the arm 1 spool.

The return flow from the arm cylinder head side returns to the hydraulic tank through the port C4, the arm 1 spool and tank passage.



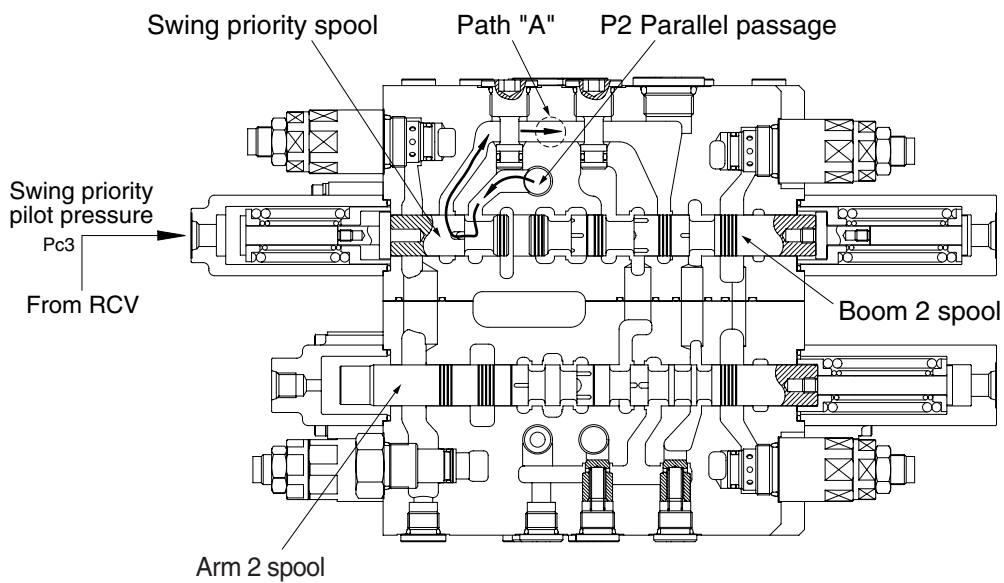
14W92MC23

8) SWING PRIORITY FUNCTION

During swing priority operation, the pilot secondary pressure is supplied to the port Pc3 of the spring side of the swing priority spool and shift swing priority spool in the right direction.

The hydraulic fluid from P2 parallel passage flows into the parallel passage of arm 1 side through swing priority spool and the path "A" and also flows into the boom 2 spool.

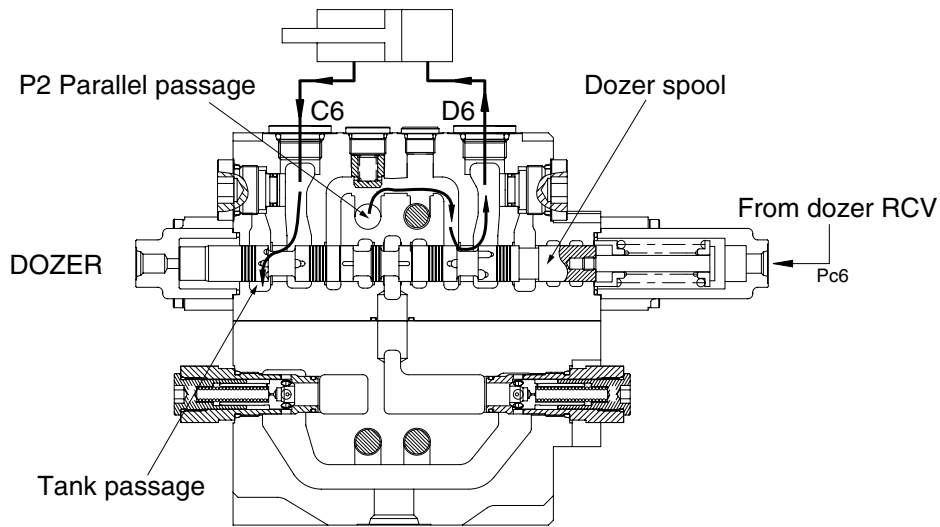
When the swing priority spool is neutral condition, the passage is same as normal condition. But due to shifting of the swing priority spool, the fluid from pump A1 flows to swing side more then the boom 2, arm 1, option B and dozer spools to make the swing operation most preferential.



14W92MC27

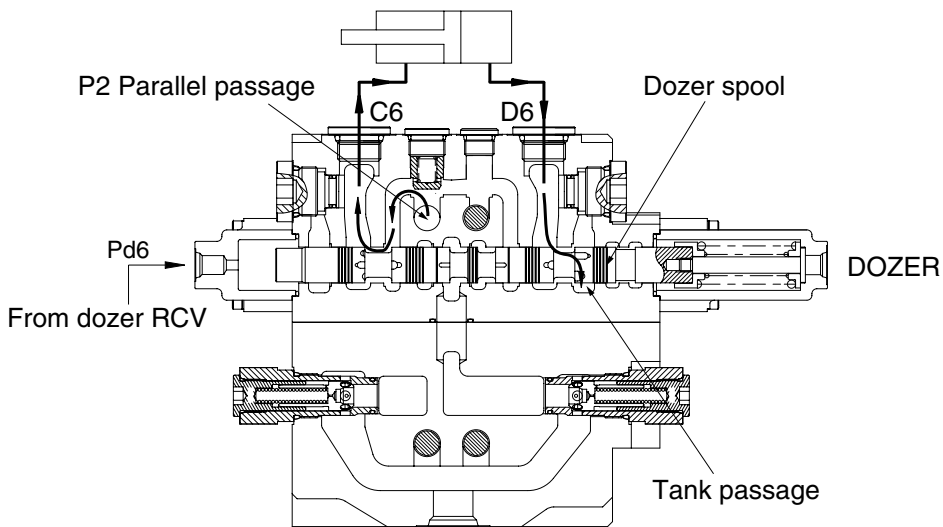
9) DOZER OPERATION

(1) Dozer down operation



14W92MC30

(2) Dozer up operation



14W92MC31

During the dozer down operation, the pilot pressure from the dozer control valve is supplied into the port Pc6 of the spring side and it shifts the dozer spool in the left direction.

The hydraulic fluid from the pump A1 enters the parallel passage and is direction to the head side of the dozer cylinder through port D6.

The return flow from the rod side of the dozer cylinder returns to the dozer spool through C6 port. Thereafter it is directed to the hydraulic tank through tank passage.

In case of the dozer up operation, operation is similar.

10) NEGATIVE RELIEF VALVE OPERATION

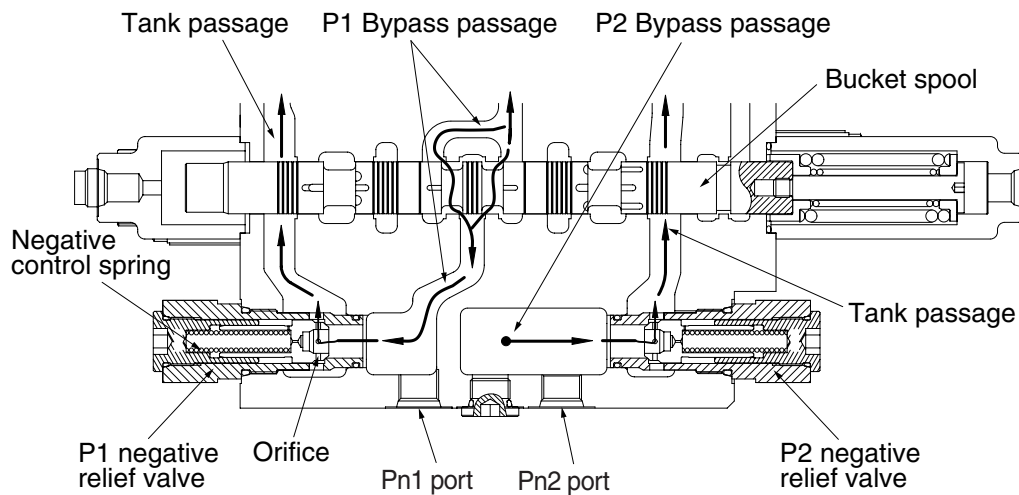
When no function is being actuated on P1 side, the hydraulic fluid from the pump A2, flows into the tank passage through the P1 bypass passage and orifice. The restriction caused by this orifice thereby pressurizes. This pressure is transferred as the negative control signal pressure Pn1 to the pump A2 regulator.

It controls the pump regulator so as to minimize the discharge of the pump A2.

The bypass passage is shut off when the shifting of one or more spools and the flow through bypass passage became zero. The pressure of negative control signal becomes zero and the discharge of the pump A2 becomes maximum.

The negative control pressure reaches to the set level, the hydraulic fluid in the passage pushes open negative control valve and escapes into the return passage.

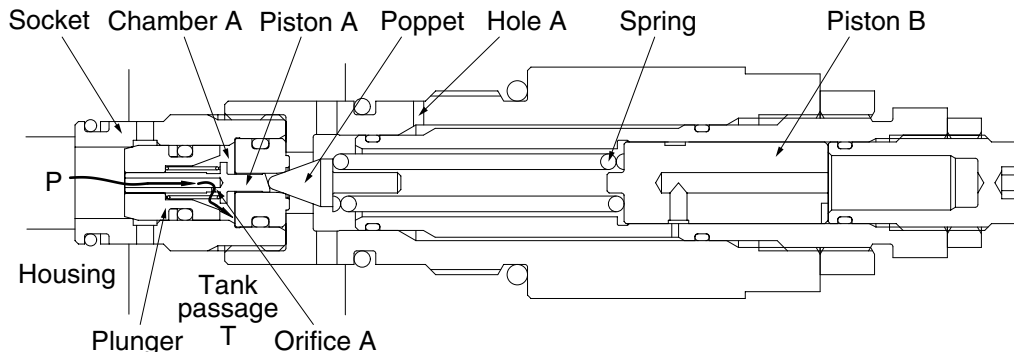
For the pump A1 the same negative control principle.



14W92MC28

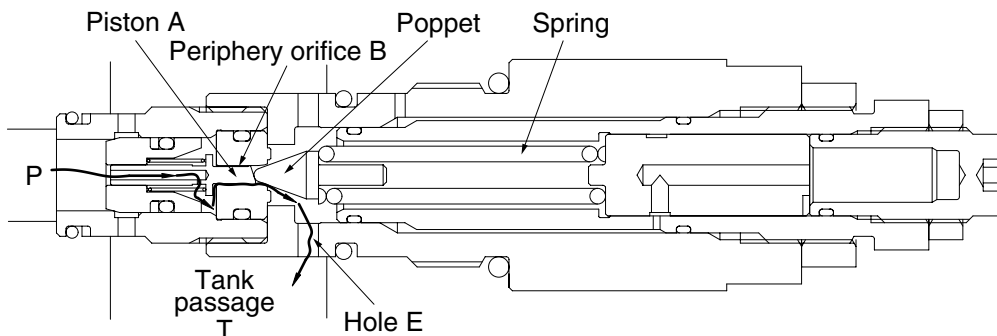
11) OPERATION OF MAIN RELIEF VALVE

- (1) The pressurized oil passes through the orifice (A) of the plunger is filled up in chamber A of the inside space, and seats the plunger against the housing securely.



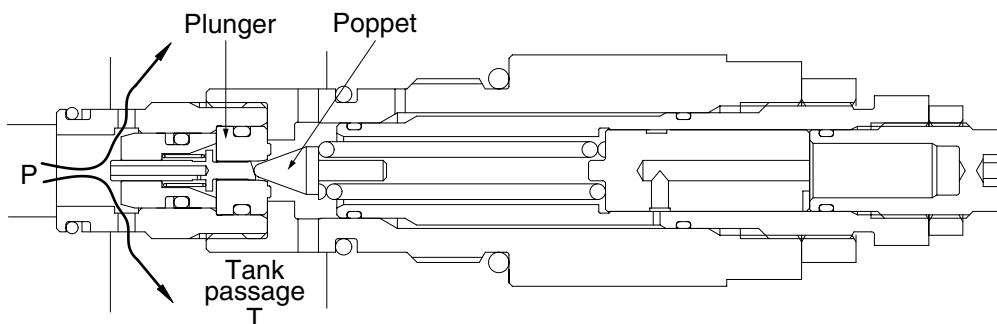
14W92MC36

- (2) When the pressure at (P) becomes equal to the set pressure of the spring the hydraulic oil passes through the piston (A) pushes open the poppet and flows to tank passage (T) through the plunger internal passage, periphery orifice A, chamber A, periphery orifice B and the hole (E).



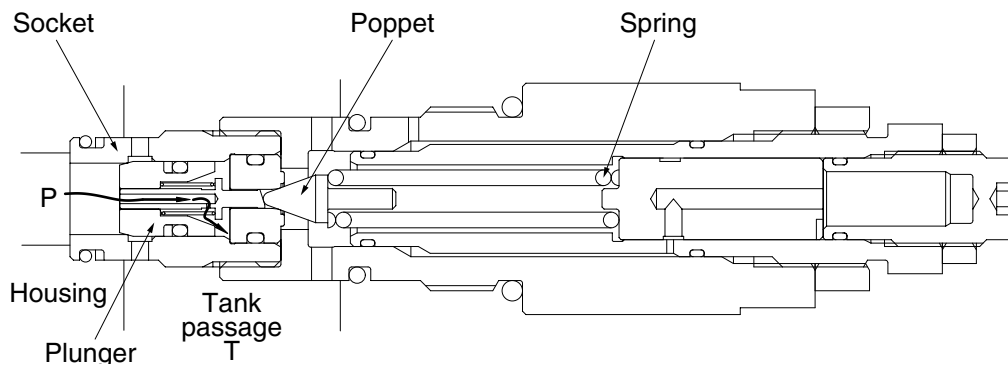
14W92MC37

- (3) Opening the poppet causes the pressure in chamber A to fall and the plunger to open. As the result the pressurized oil at port P runs into tank passage (T).



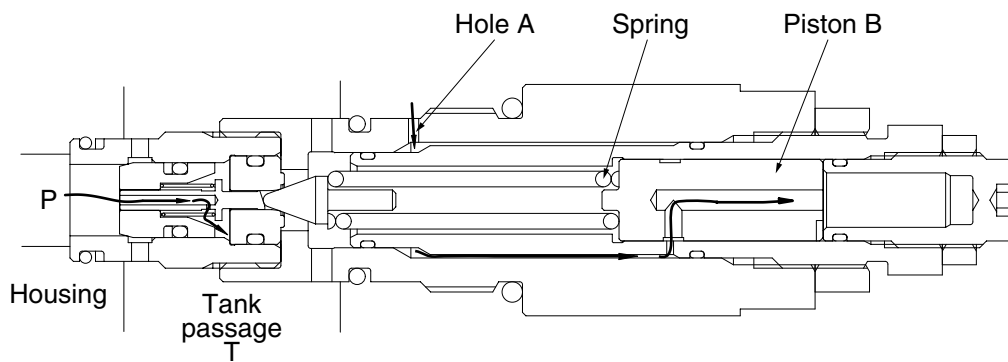
14W92MC38

- (4) The pressure at port P becomes lower than set pressure of the spring, the poppet is seated by spring force. Then the pressure at port P becomes equal to set pressure of the spring and the plunger is seated to the socket.



14W92MC39

- (5) When the power boost switch is ON, the pilot pressure enters through hole A. It pushes the piston (B) in the left direction to increase the force of the spring and change the relief set pressure to the high pressure.

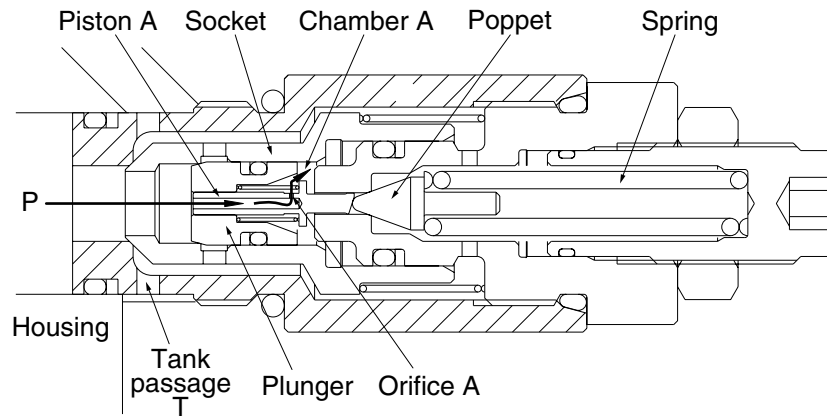


14W92MC40

12) OPERATION OF OVERLOAD RELIEF VALVE

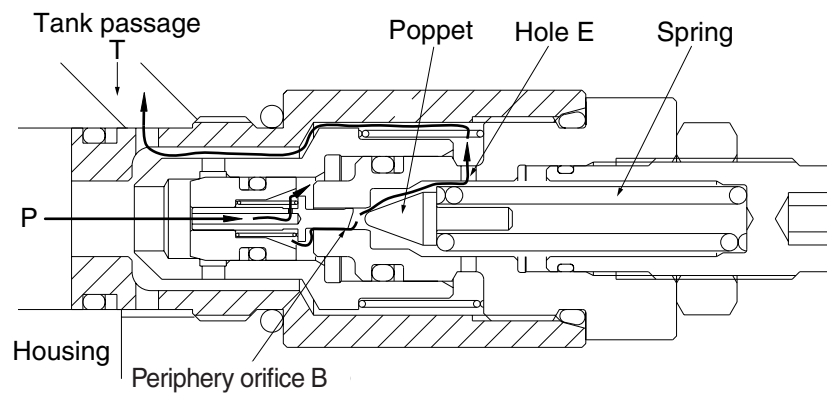
FUNCTION AS RELIEF VALVE

- (1) The pressurized oil passes through the piston A and orifice A is filled up in chamber A of the inside space and seat the plunger against the socket and the socket against the housing securely.



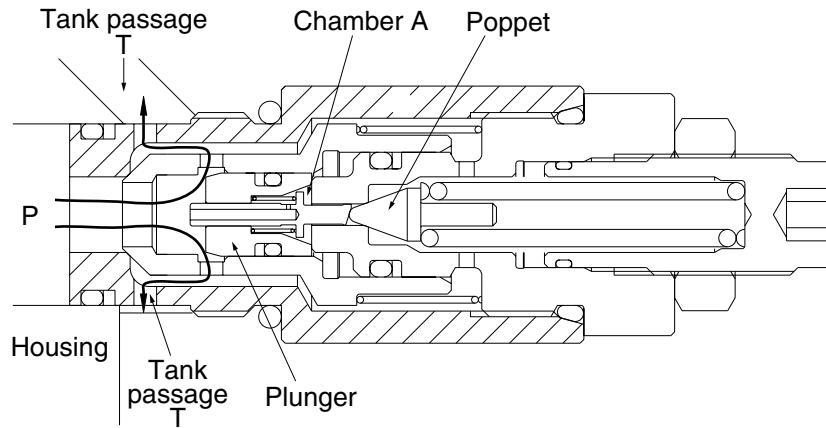
14W92MC41

- (2) When the pressure at port P becomes equal to the set pressure of the spring, the pressurized oil pushes open the poppet and flows to tank passage (T) through the plunger internal passage, orifice A, chamber A, periphery orifice B and hole E.



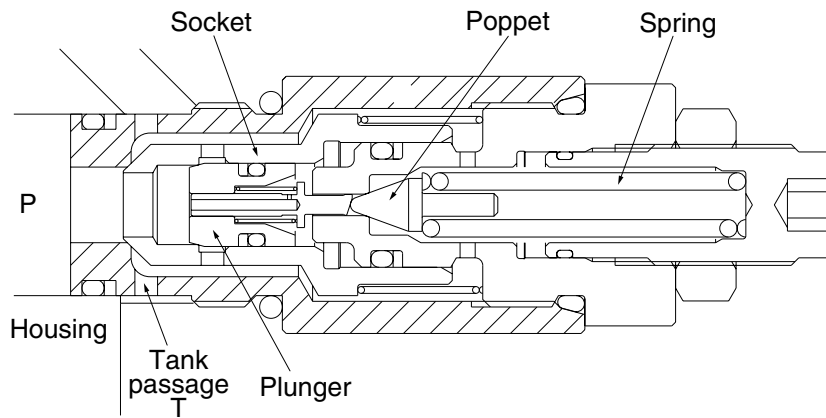
14W92MC42

- (3) Opening of the poppet causes the pressure in chamber A to fall and the plunger to open. As the result the pressurized oil at port P runs into tank passage (T).



14W92MC43

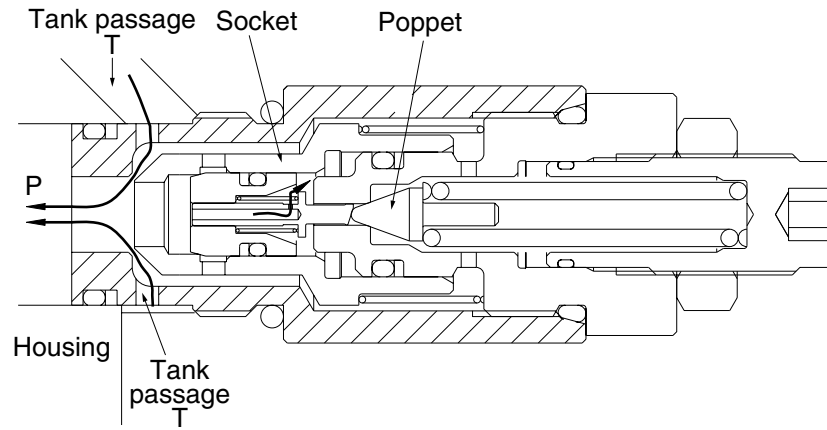
- (4) The pressure at port P becomes lower than set pressure of the spring, the poppet is seated by spring force. Then the pressure at port P becomes equal to set pressure of the spring and the plunger is seated to the socket.



14W92MC44

MAKE-UP FUNCTION

- (5) When negative pressure exists at port P, the oil is supplied through tank passage (T). When the pressure at tank passage (T) becomes higher than that of at port P, the socket moves in the right direction. Then, sufficient oil passes around the socket from tank passage (T) to port P and fills up the space.



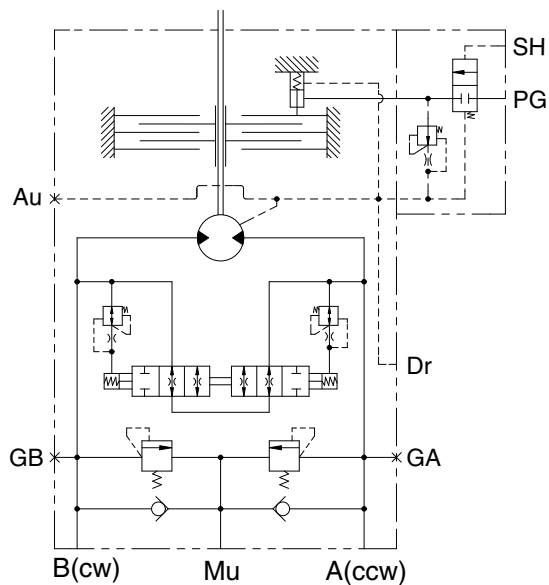
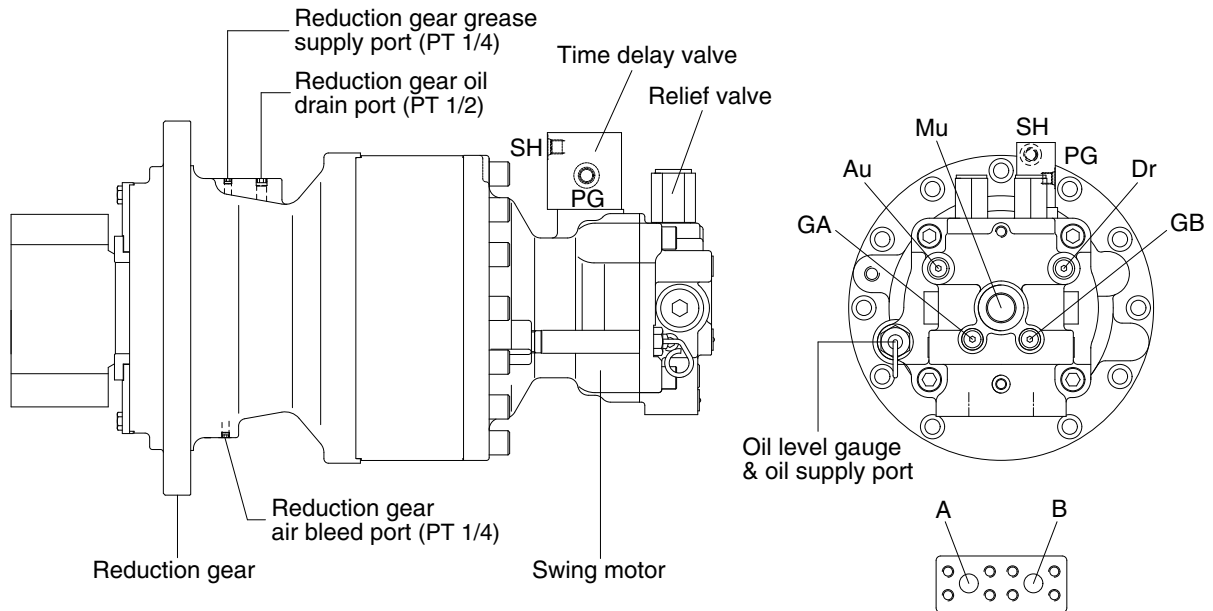
14W92MC45

GROUP 3 SWING DEVICE

1. STRUCTURE

Swing device consists swing motor, swing reduction gear.

Swing motor include mechanical parking valve, relief valve, make up valve and time delay valve.

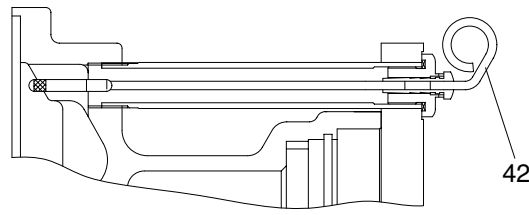


Hydraulic circuit

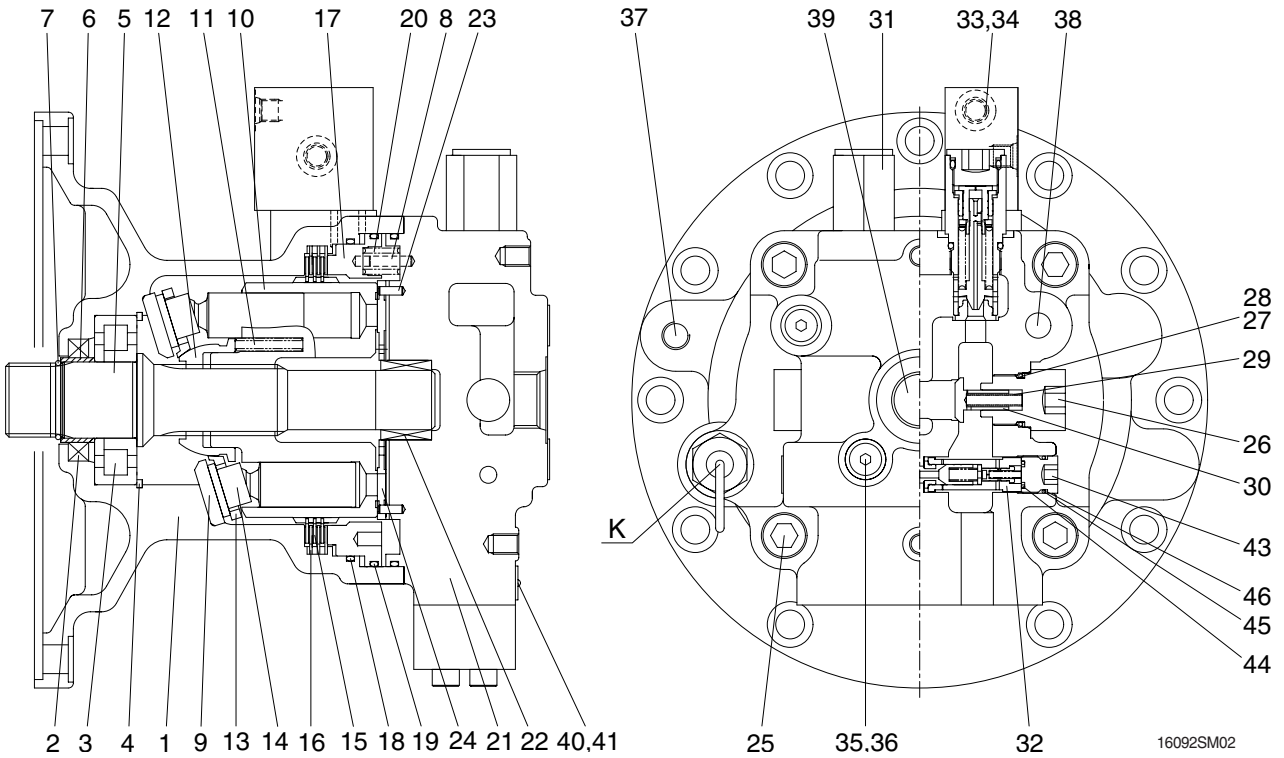
Port	Port name	Port size
A	Main port	∅ 20
B	Main port	∅ 20
Dr	Drain port	PF 1/2
Mu	Make up port	PF 1
PG	Brake release stand by port	PF 1/4
SH	Brake release pilot by port	PF 1/4
GA, GB	Gauge port	PF 1/4
Au	Air vent port	PF 1/4

16092SM01

1) SWING MOTOR

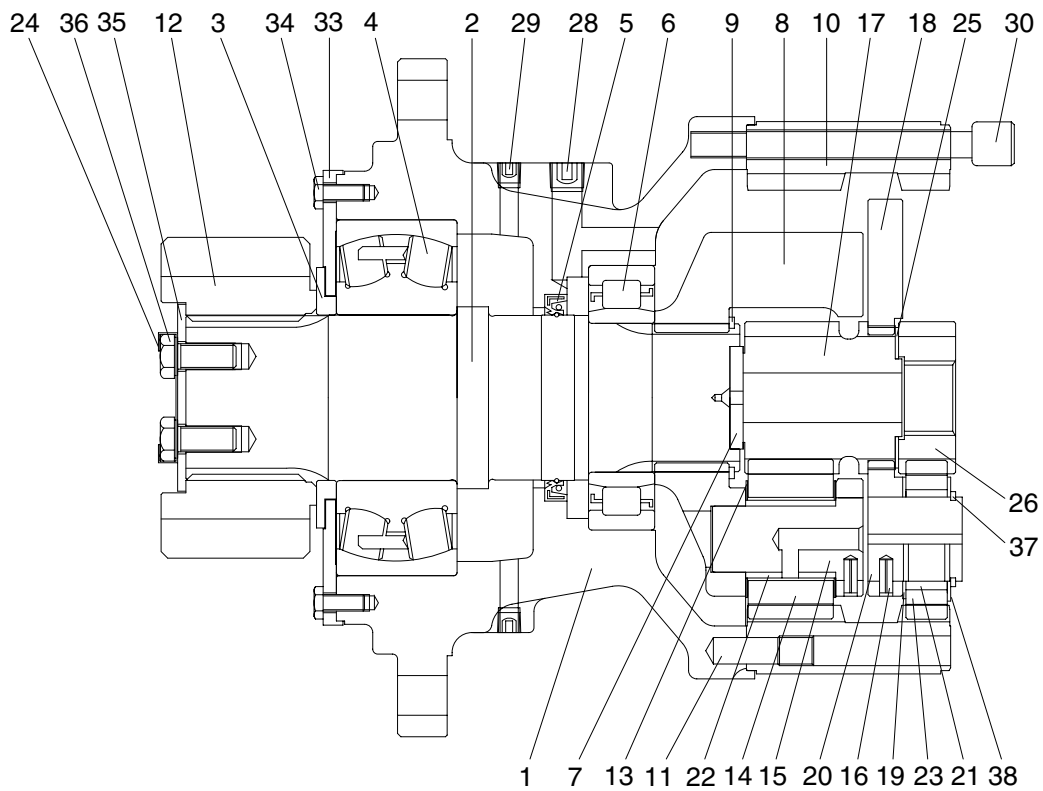


DETAIL K



- | | | |
|-------------------|-------------------------|---------------------|
| 1 Body | 17 Brake piston | 33 Time delay valve |
| 2 Oil seal | 18 O-ring | 34 Wrench bolt |
| 3 Roller bearing | 19 O-ring | 35 Plug |
| 4 Snap ring | 20 Brake spring | 36 O-ring |
| 5 Shaft | 21 Rear cover | 37 Plug |
| 6 Bushing | 22 Needle bearing | 38 Plug |
| 7 Stop ring | 23 Pin | 39 Plug |
| 8 Pin | 24 Valve plate | 40 Name plate |
| 9 Shoe plate | 25 Wrench bolt | 41 Rivet |
| 10 Cylinder block | 26 Plug | 42 Level gauge |
| 11 Spring | 27 Back up ring | 43 Plug |
| 12 Ball guide | 28 O-ring | 44 O-ring |
| 13 Set plate | 29 Spring | 45 O-ring |
| 14 Piston assy | 30 Check | 46 Back up ring |
| 15 Friction plate | 31 Relief valve | |
| 16 Separate plate | 32 Anti-inversion valve | |

2) REDUCTION GEAR



16092SM03

1	Casing	13	Thrust washer	25	Side plate 3
2	Drive shaft	14	Planet gear 2	26	Sun gear 1
3	Spacer	15	Pin & bushing	28	Plug
4	Roller bearing	16	Spring pin	29	Plug
5	Oil seal	17	Sun gear 2	30	Socket bolt
6	Roller bearing	18	Carrier 1	33	Cover plate
7	Thrust plate	19	Side plate 1	34	Hexagon bolt
8	Carrier 2	20	Pin 1	35	Lock plate
9	Stop ring	21	Needle cage	36	Hexagon bolt
10	Ring gear	22	Bushing 2	37	Stop ring
11	Knock pin	23	Planet gear 1	38	Side plate 2
12	Pinion gear	24	Lock washer		

2. PRINCIPLE OF DRIVING

2.1 Generating the turning force

The high hydraulic supplied from a hydraulic pump flows into a cylinder (10) through valve casing of motor (21), and valve plate (24).

The high hydraulic is built as flowing on one side of Y-Y line connected by the upper and lower sides of piston (14).

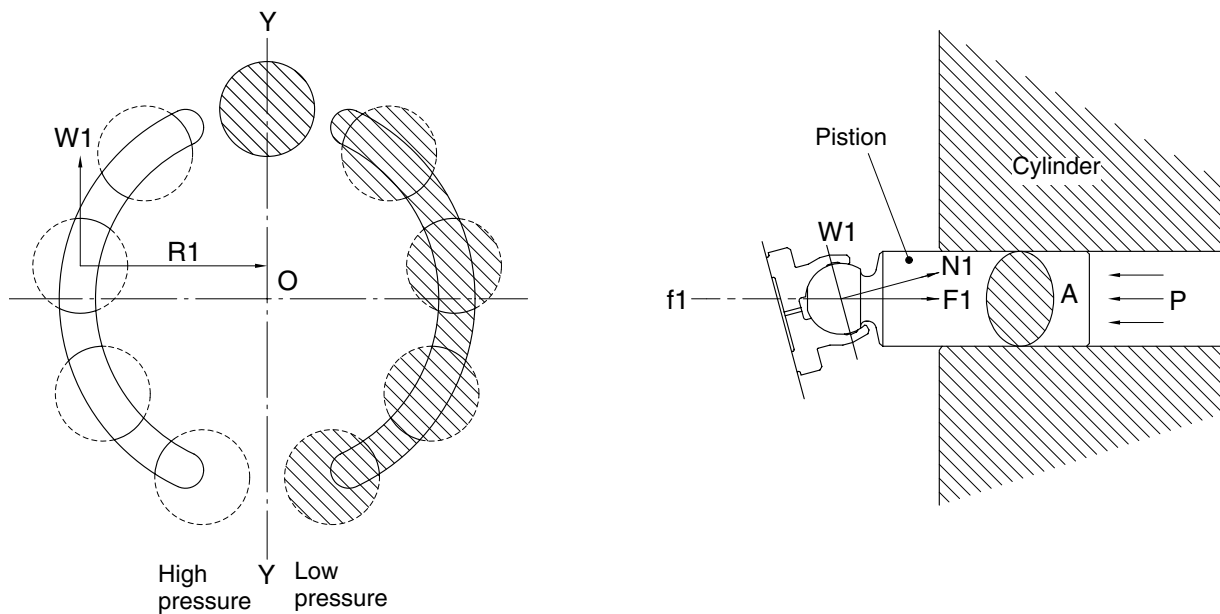
The high hydraulic can generate the force, $F1 = P \times A$ (P : supplied pressure, A : water pressure area), like following pictures, working on a piston.

This force, $F1$, is divided as $N1$ thrust partial pressure and $W1$ radial partial pressure, in case of the plate of a tilt angle, α .

$W1$ generates torque, $T = W1 \times R1$, for Y-Y line connected by the upper and lower sides of the piston as following pictures.

The sum of torque ($\sum W1 \times R1$), generated from each piston (4~5 pieces) on the side of a high hydraulic, generates the turning force.

This torque transfers the turning force to a cylinder (10) through a piston; because a cylinder is combined with a turning axis and spline, a turning axis rotates and a turning force is sent.



21078TM05

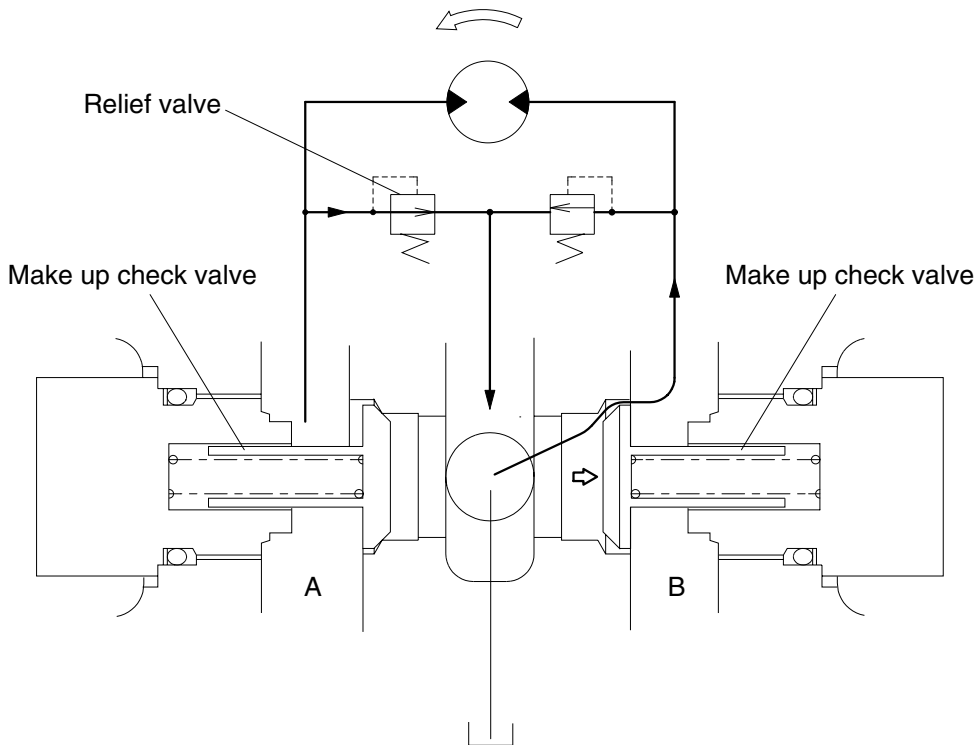
2) MAKE UP VALVE

In the system using this type of motor, there is no counter balance functioning valve and there happens the case of revolution exceeding hydraulic supply of motor. To prevent the cavitation caused by insufficient oil flow there is a make up valve to fill up the oil insufficiency.

A make up valve is provided immediately before the port leading to the hydraulic oil tank to secure feed pressure required when the hydraulic motor makes a pumping action. The boost pressure acts on the hydraulic motor's feed port via the make up valve.

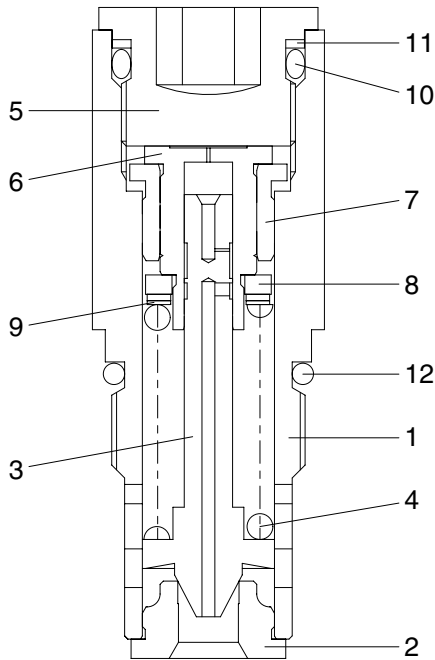
Pressurized oil into the port B, the motor rotate counterclockwise.

If the plunger of MCV moves neutral position, the oil in the motor is drain via left relief valve, the drain oil run into motor via right make up valve, which prevent the cavitation of motor.



21092SM04

3) RELIEF VALVE



- 1 Body
- 2 Seat
- 3 Plunger
- 4 Spring
- 5 Adjusting screw
- 6 Piston
- 7 Bushing
- 8 Spring seat
- 9 Shim
- 10 O-ring
- 11 Back up ring
- 12 O-ring

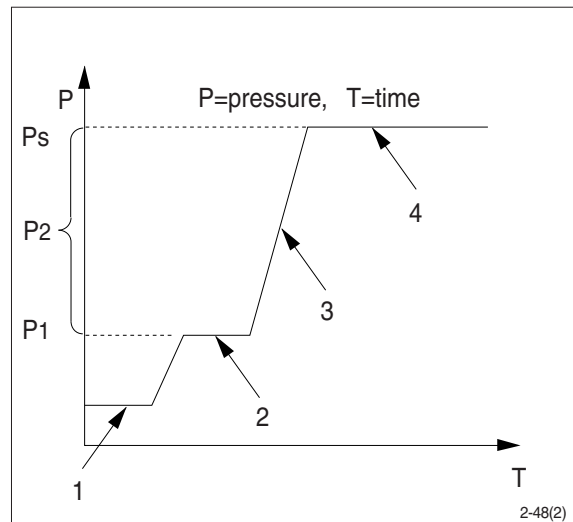
14007A2SM05

(1) Construction of relief valve

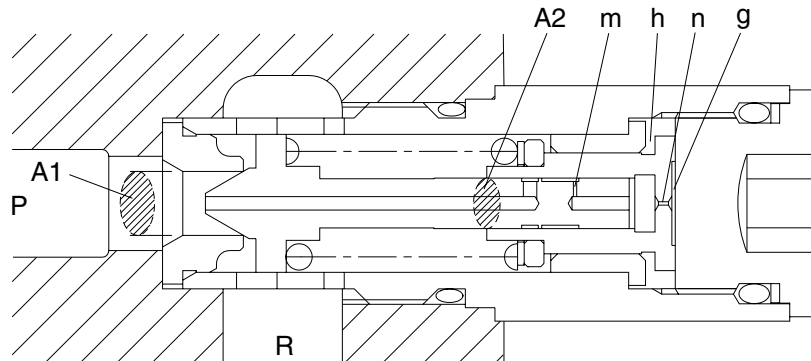
The valve casing contains two cartridge type relief valves that stop the regular and reverse rotations of the hydraulic motor. The relief valves relieve high pressure at start or at stop of swing motion and can control the relief pressure in two steps, high and low, in order to insure smooth operation.

(2) Function of relief valve

Figure illustrates how the pressure acting on the relief valve is related to its rising process. Here is given the function, referring to the figure following page.



① Ports (P,R) at tank pressure.

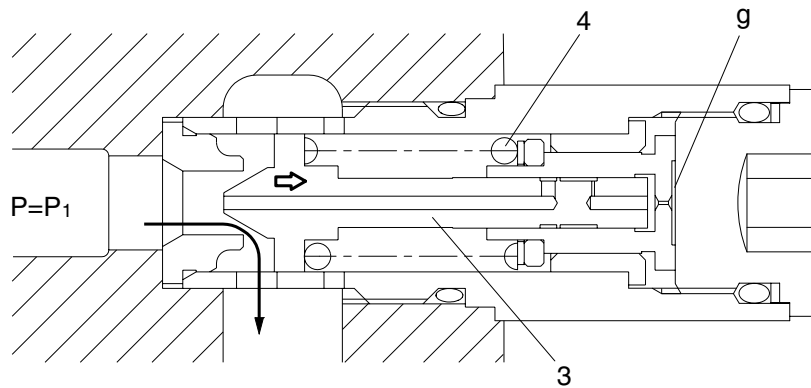


14007A2SM06

② When hydraulic oil pressure ($P \times A_1$) reaches the preset force (F_{SP}) of spring (4), the plunger (3) moves to the right as shown.

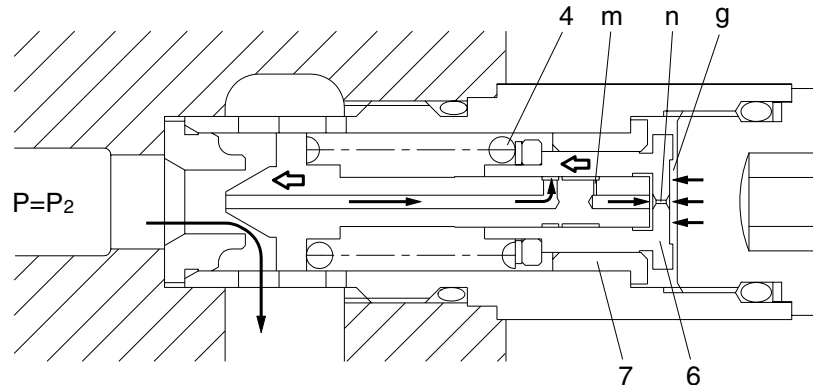
$$P_1 \times A_1 = F_{sp} + P_g \times A_2$$

$$P_1 = \frac{F_{sp} + P_g \times A_2}{A_1}$$



14007A2SM07

- ③ The oil flow chamber g via orifice m and n. When the pressure of chamber g reaches the preset force (FSP) of spring (4), the piston (6) moves left and stop the piston (6) hits the bottom of bushing (7).

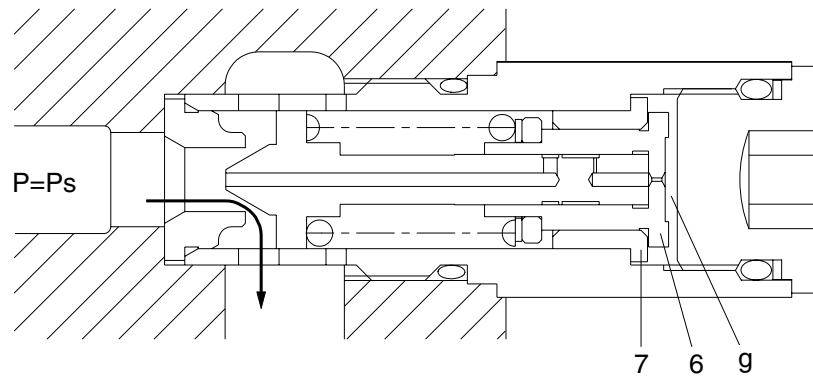


14007A2SM08

- ④ When piston (6) hits the bottom of bushing (7), it stops moving to the left any further. As the result, the pressure in chamber (g) equals (Ps).

$$P_s \times A_1 = F_{sp} + P_s \times A_2$$

$$P_s = \frac{F_{sp}}{A_1 - A_2}$$



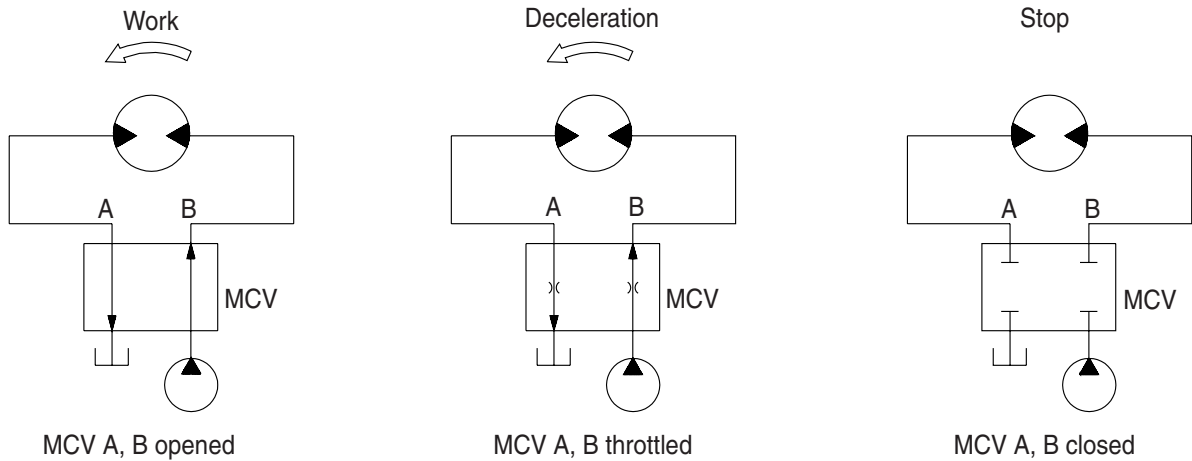
14007A2SM09

4) BRAKE SYSTEM

(1) Control valve swing brake system

This is the brake system to stop the swing motion of the excavator during operation.

In this system, the hydraulic circuit is throttled by the swing control valve, and the resistance created by this throttling works as a brake force to slow down the swing motion.



2-48(1)

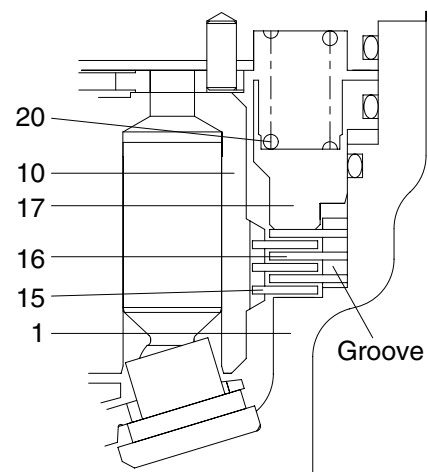
(2) Mechanical swing parking brake system

This is function as a parking brake only when all of the RCV lever (except travel pedal) are not operated.

① Brake assembly

Circumferential rotation of separate plate (16) is constrained by the groove located at housing (1). When housing is pressed down by brake spring (20) through friction plate (15), separate plate (16) and brake piston (17), friction force occurs there.

Cylinder block (10) is constrained by this friction force and brake acts, while brake releases when hydraulic force exceeds spring force.

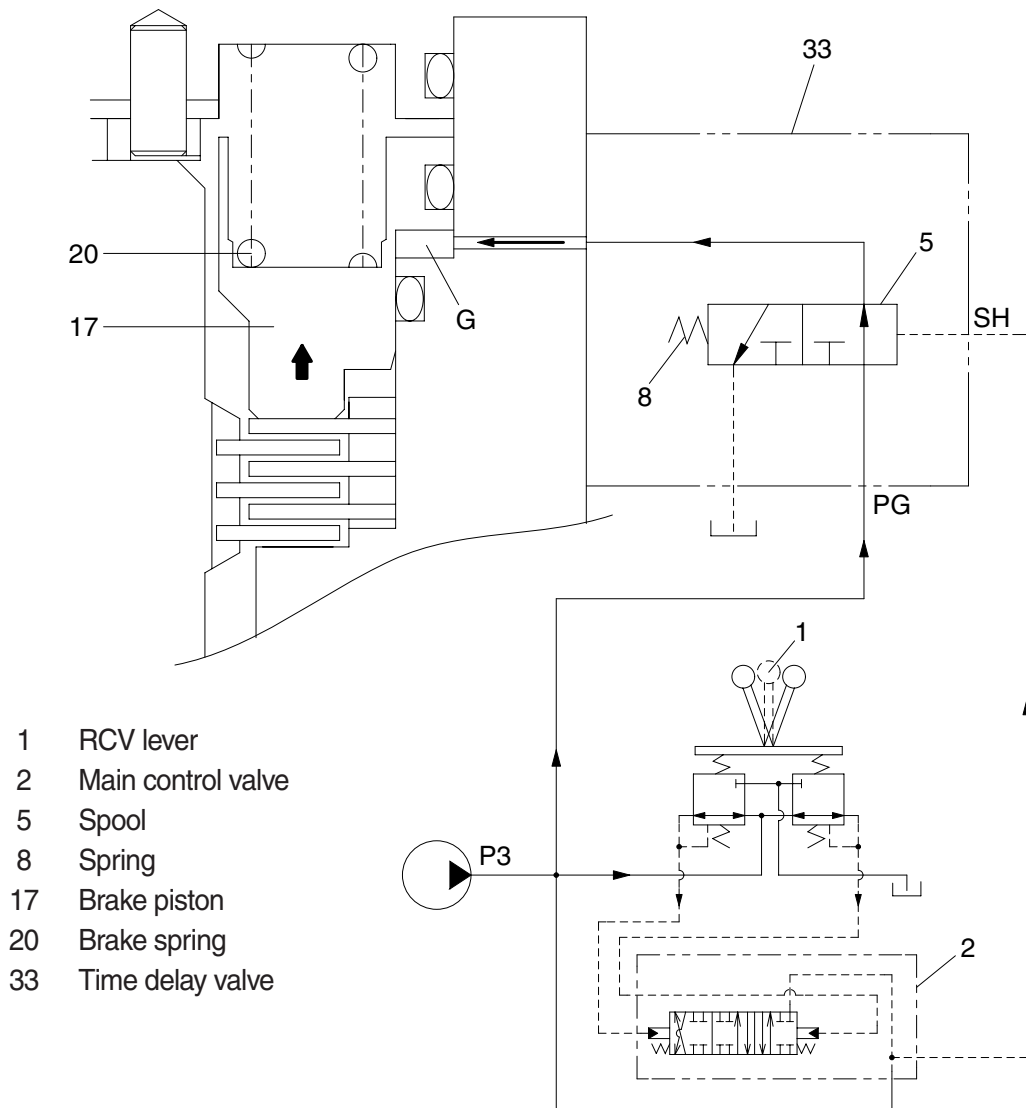


21092SM15

1	Housing	16	Separate plate
10	Cylinder block	17	Brake piston
15	Friction plate	20	Spring

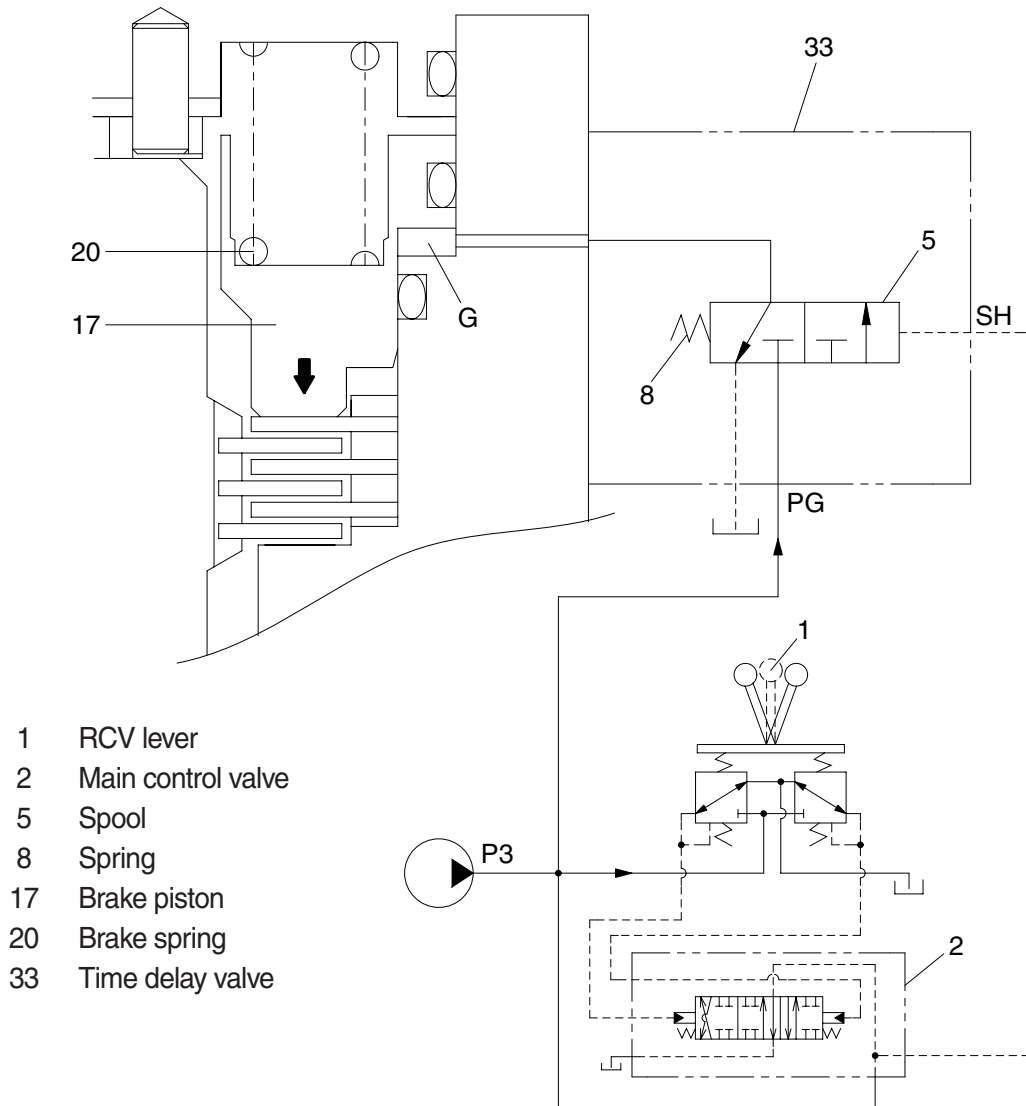
② **Operating principle**

- a. When one of the RCV lever (1) is set to the operation position, the each spool is shifted to left or right and the pilot oil flow is blocked. Then the pilot oil go to SH of the time delay valve (33). This pressure moves spool (5) to the leftward against the force of the spring(8), so pilot pump charged oil (P3) goes to the chamber G through port PG. This pressure is applied to move the piston (17) to the upward against the force of the spring (20). Thus, it releases the brake force.



16092SM16

- b. When all of the RCV lever (1) are set the neutral position, the spool (5) returns to right. Then, the brake piston (17) is moved lower by spring force and the return oil from the chamber G flows back to tank port. At this time, the brake works.



- 1 RCV lever
- 2 Main control valve
- 5 Spool
- 8 Spring
- 17 Brake piston
- 20 Brake spring
- 33 Time delay valve

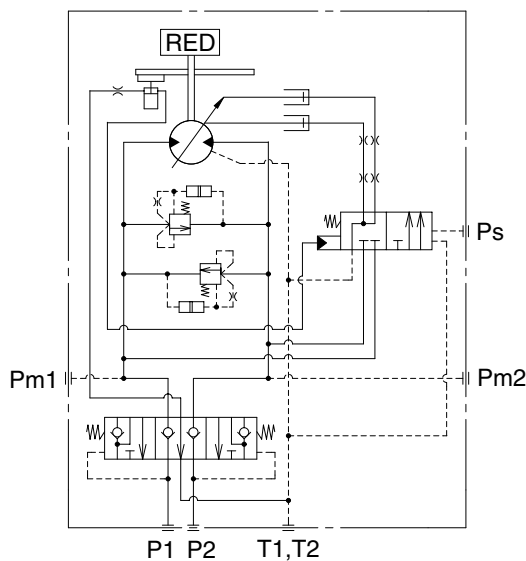
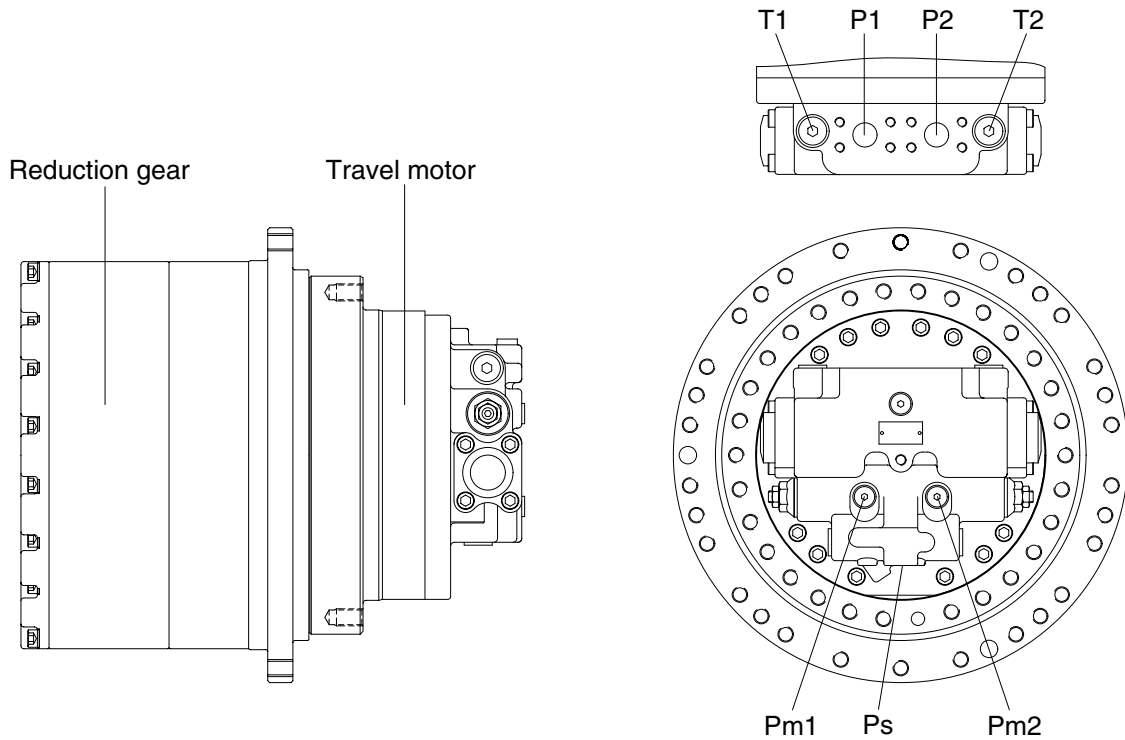
16092SM17

GROUP 4 TRAVEL DEVICE

1. STRUCTURE

A Hydraulic motor includes followings.

- Part of rotary generating turning force
- Part of a valve of relief
- Part of Brake
- Part of a valve of counterbalance
- Part of flowing changeover
- Part of auto changeover

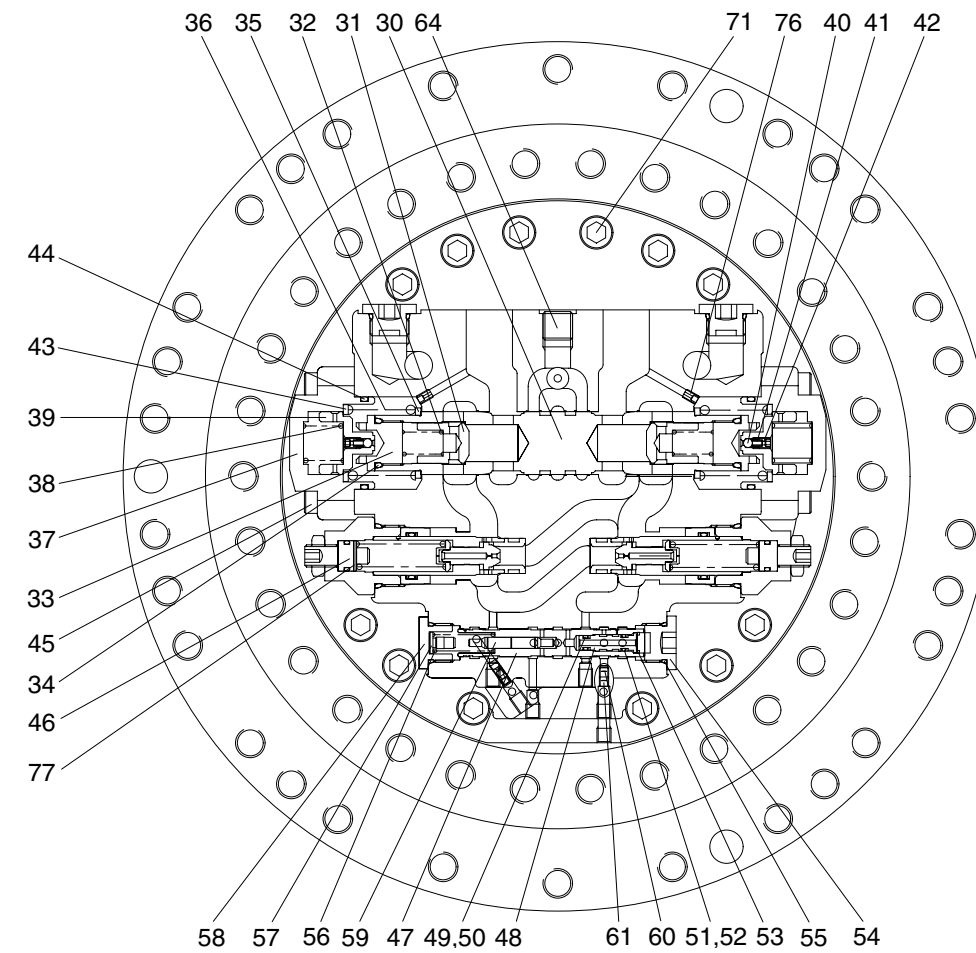
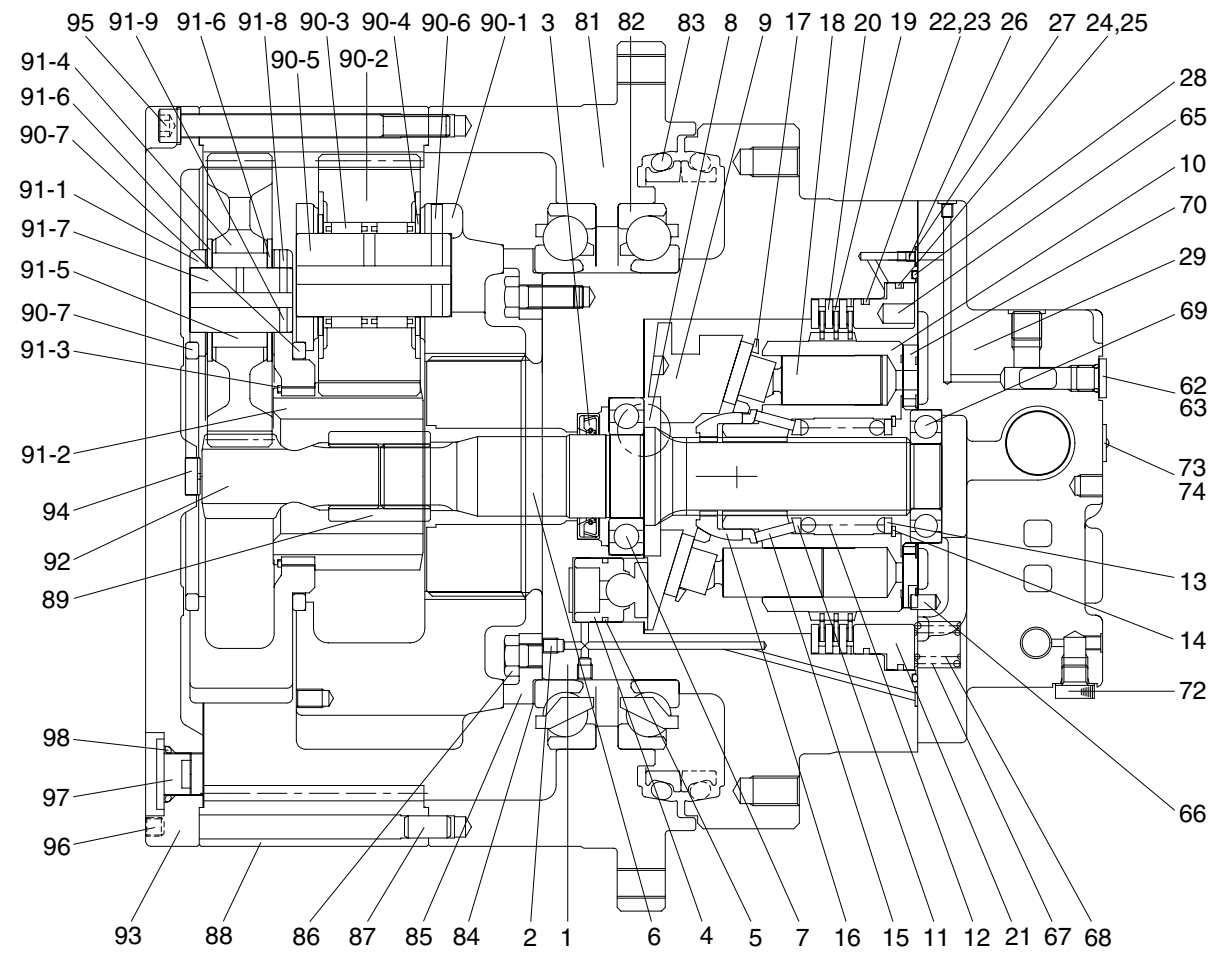


Hydraulic circuit

Port	Port name	Port size
P1, P2	Main port	SAE 4694psi 1"
Pm1, Pm2	Gauge port	PF 1/4
T1, T2	Drain port	PF 1/2
Ps	2 speed control port	PF 1/4

16092TM01

1) STRUCTURE



- | | | | | | |
|-------------------|-------------------|----------------------|----------------|--------------------------|--------------------------|
| 1 Shaft casing | 20 Separate plate | 39 Spool | 58 Plug | 77 Shim | 91-1 Carrier No.1 |
| 2 Plug | 21 Parking piston | 40 Steel ball | 59 Spool | 81 Housing | 91-2 Sun-gear No.2 |
| 3 Oil seal | 22 O-ring | 41 Spring | 60 Orifice | 82 Main bearing | 91-3 Retaining ring |
| 4 Swash piston | 23 Back up ring | 42 Plug | 61 Orifice | 83 Floating seal | 91-4 Planetary gear No.1 |
| 5 Piston ring | 24 O-ring | 43 Spring seat | 62 Plug | 84 Shim | 91-5 Needle bearing No.1 |
| 6 Shaft | 25 Back up ring | 44 O-ring | 63 O-ring | 85 Retainer | 91-6 Thrust washer |
| 7 Bearing | 26 Orifice | 45 Wrench bolt | 64 Plug | 86 Hex head bolt | 91-7 Pin No.1 |
| 8 Steel ball | 27 O-ring | 46 Relief valve assy | 65 Pin | 87 Parallel pin | 91-8 Spring pin |
| 9 Swash plate | 28 O-ring | 47 Spool | 66 Pin | 88 Ring gear | 91-9 Spring pin |
| 10 Cylinder block | 29 Rear cover | 48 Guide | 67 Spring | 89 Coupling | 92 Sun gear No.1 |
| 11 Spring seat | 30 Spool | 49 O-ring | 68 Spring | 90 Carrier assy No.2 | 93 Cover |
| 12 Spring | 31 Check | 50 Back up ring | 69 Bearing | 90-1 Carrier No.2 | 94 Pad |
| 13 End plate | 32 Spring | 51 O-ring | 70 Valve plate | 90-2 Planetary gear No.2 | 95 Hex socket head bolt |
| 14 Snap ring | 33 Plug | 52 Back up ring | 71 Wrench bolt | 90-3 Needle bearing No.2 | 96 Hex socket Screw |
| 15 Pin | 34 O-ring | 53 Snap ring | 72 Plug | 90-4 Thrust washer | 97 Hydraulic plug |
| 16 Ball guide | 35 Spring seat | 54 plug | 73 Name plate | 90-5 Pin No.2 | 98 O-ring |
| 17 Set plate | 36 Spring | 55 O-ring | 74 Rivet | 90-6 Spring pin | 99 Name plate |
| 18 Piston assy | 37 Cover | 56 Spring | 75 Seal kit | 90-7 Thrust ring | |
| 19 Friction plate | 38 Spring | 57 Spring seat | 76 Orifice | 91 Carrier assy No.1 | |

16092TM02

2. PRINCIPLE OF DRIVING

2.1 Generating the turning force

The high hydraulic supplied from a hydraulic pump flows into a cylinder (10) through valve casing of motor (29), and valve plate (77).

The high hydraulic is built as flowing on one side of Y-Y line connected by the upper and lower sides of piston(18).

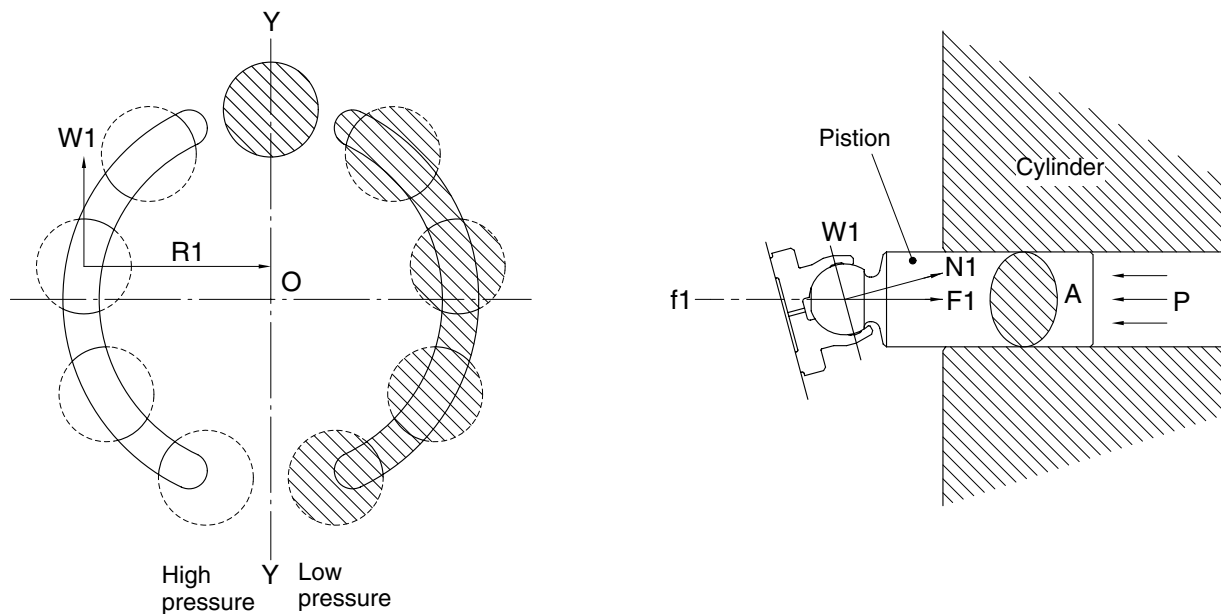
The high hydraulic can generate the force, $F1 = P \times A$ (P : supplied pressure, A : water pressure area), like following pictures, working on a piston.

This force, $F1$, is divided as $N1$ thrust partial pressure and $W1$ radial partial pressure, in case of the plate (09) of a tilt angle, α .

$W1$ generates torque, $T = W1 \times R1$, for Y-Y line connected by the upper and lower sides of piston as following pictures.

The sum of torque ($\sum W1 \times R1$), generated from each piston (4~5pieces) on the side of a high hydraulic, generates the turning force.

This torque transfers the turning force to a cylinder (10) through a piston; because a cylinder is combined with a turning axis and spline, a turning axis rotates and a turning force is sent.



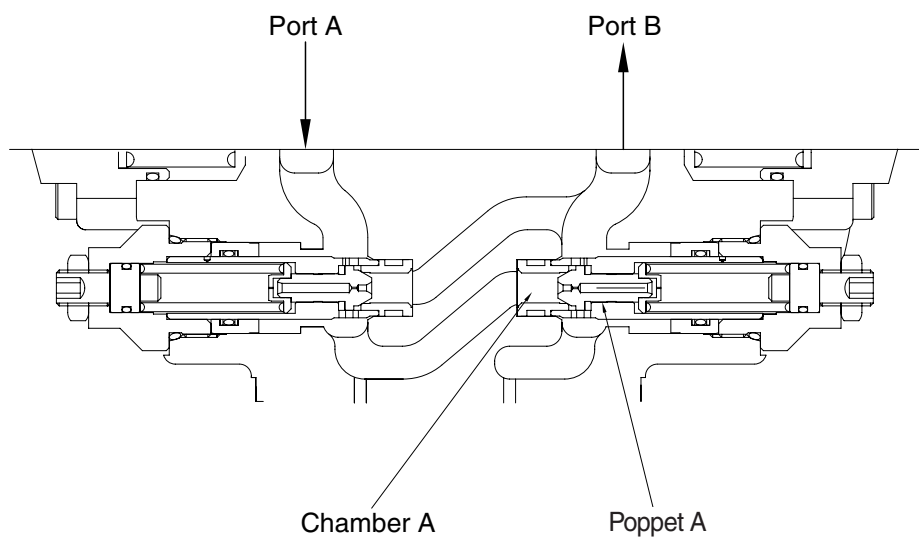
21078TM05

2.2 Working of relief valve

Relief valve carries on two functions of followings.

- 1) It standardizes a pressure in case of driving a hydraulic motor ; bypasses and extra oil in a motor inlet related to acceleration of an inertia to an outlet.
- 2) In case of an inertia stopped, it forces an equipment stopped, according to generating the pressure of a brake on the projected side.

Room A is always connected with port A of a motor. If the pressure of port is increased, press poppet A. And if it is higher than the setting pressure of a spring, the oil of an hydraulic flows from room A to port B, because poppet A is detached from the contact surface of seat A.



21078TM06A

2.3 Working of negative brake

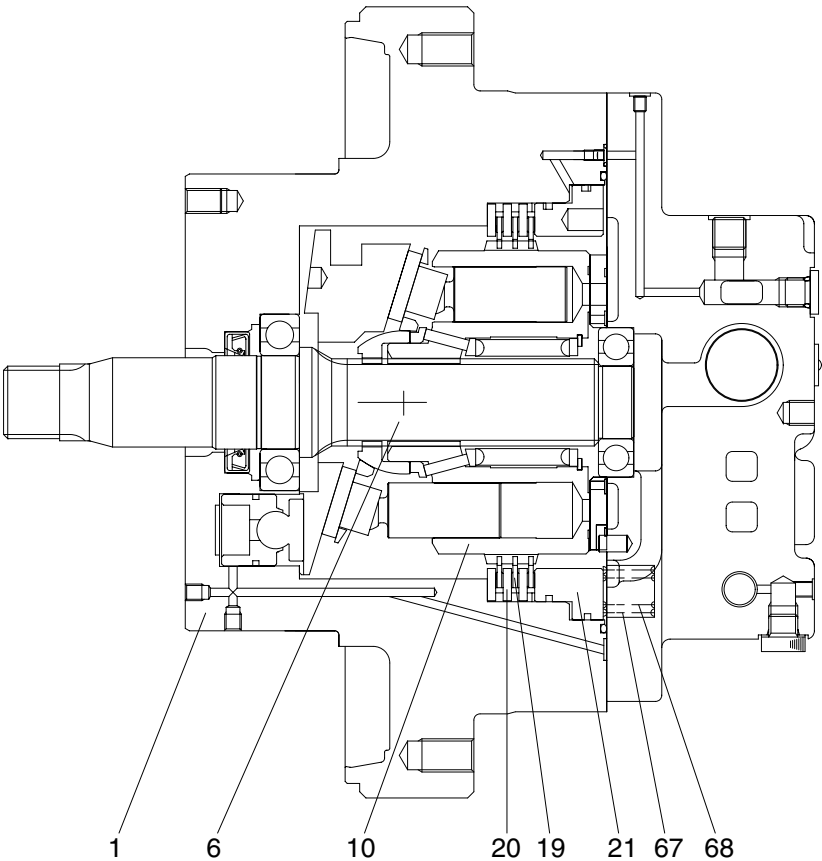
When the operating pressure is supplied to the brake piston (21) through the spool (simultaneous peripheral operation online) built in the shaft casing (1), the negative brake is released.

When the pressure does not work, the brake always runs.

The force of a brake is generated by the frictional force among a separate plate (20) fixed by shaft casing, parking piston (21) and a frictional plate (19) connected through spline outside a cylinder block (10).

When a pressure does not work on the part of piston, brake spring presses brake piston; oil in a brake room flows into the drain of a motor through an orifice; in that time, brake piston compresses a frictional plate and a detached plate in the middle of shaft casing (1) and brake piston (21) according to the force that presses 10 pieces of brake springs (67, 68); finally, it makes a frictional force.

This frictional force helps the brake fixing a turning shaft (6) connected by a cylinder and spline operated.



21092TM07

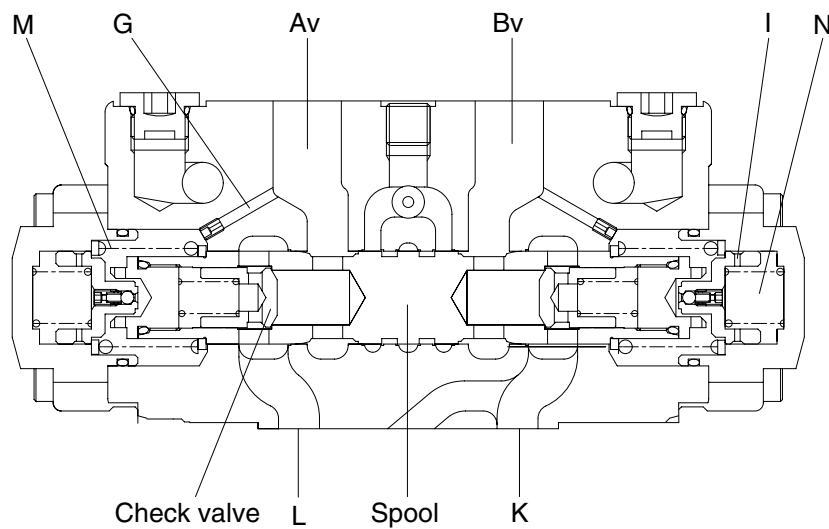
2.4 Counterbalance valve

Av port is connected to a hydraulic pump; Bv port is connected to a tank.

An oil supplied from a hydraulic pump presses check valve and flows into L port. It makes a hydraulic motor circulated. The oil pressure out of a pump is increased and transferred to spring room M through the path G because negative brake is working on. When the pressure of room M exceeds the force of spring that keeps spool at its neutral position, the spool begins to move the right side.

An oil in room N is sent to room M by orifice I and discharged from G line to a tank.

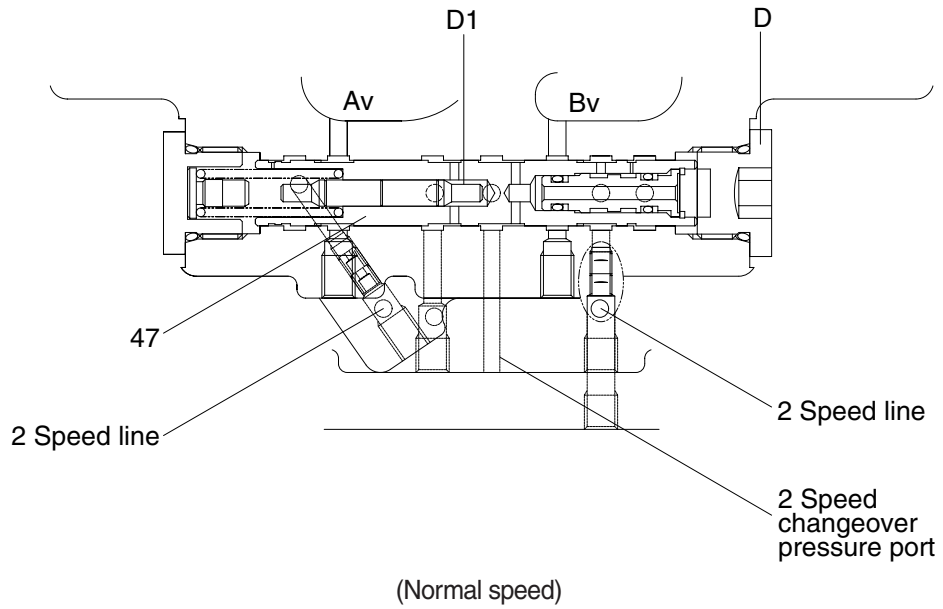
Then the spool moves to the right and the oil flows from K to Bv.



21078TM08

2.5 Working description of automatic switch (at normal speed)

Due to no pressure on pilot now, spool (47) is not working.

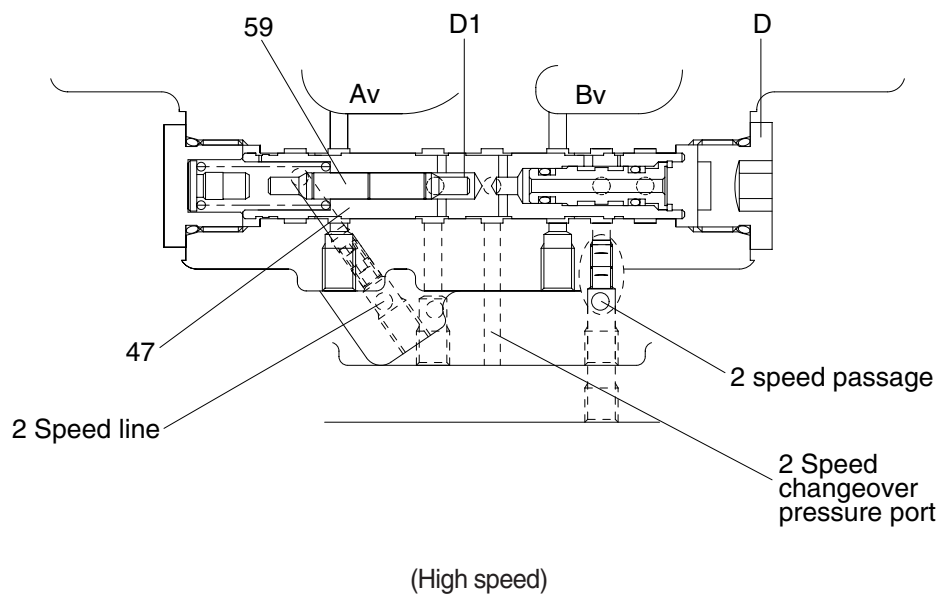


21078TM09

2.6 Working description of automatic switch (at high speed)

At normal speed, once the hydraulic oil which is through the inner path of spool (47) flows into high speed switching pressure port (the pressure of external pilot : $P_i = 35 \text{ kgf/cm}^2$) spool(47) moves from right to left.

At high speed, turning pressure of motor (D1) is over 250 kgf/cm^2 , when the power forcing to spool (59) (Pressure, P1) is stronger than spool (47) and spool (59) is pushed out, after then spool (47) moves from left to right. So it is switched.

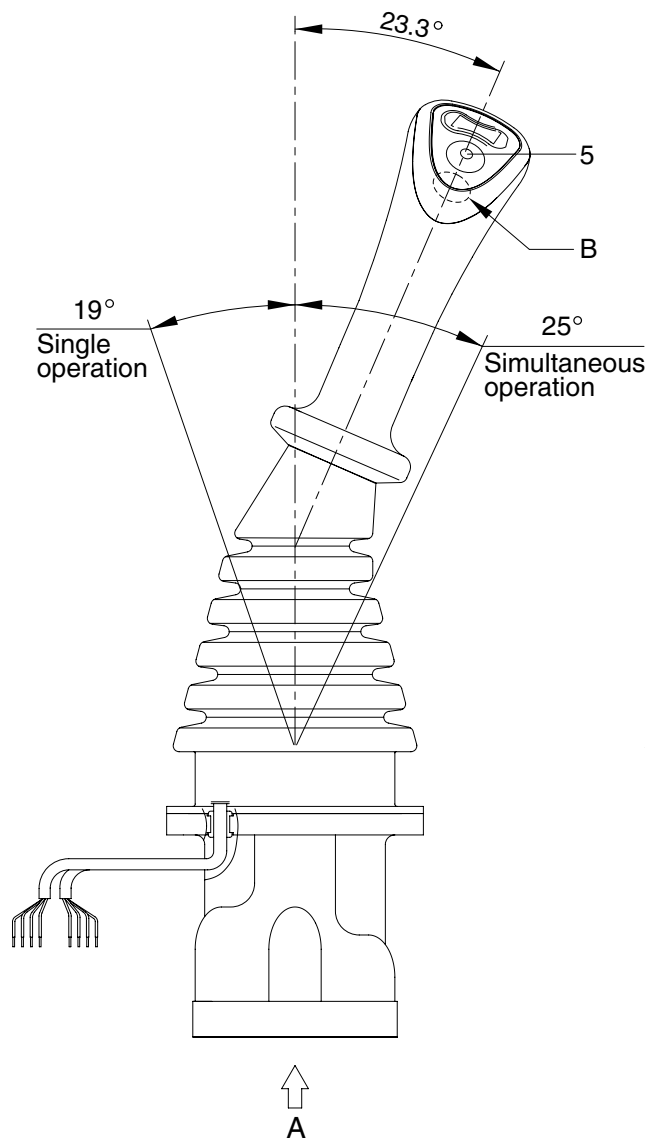


21078TM10

GROUP 5 RCV LEVER

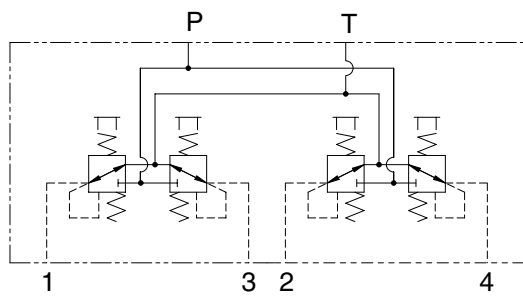
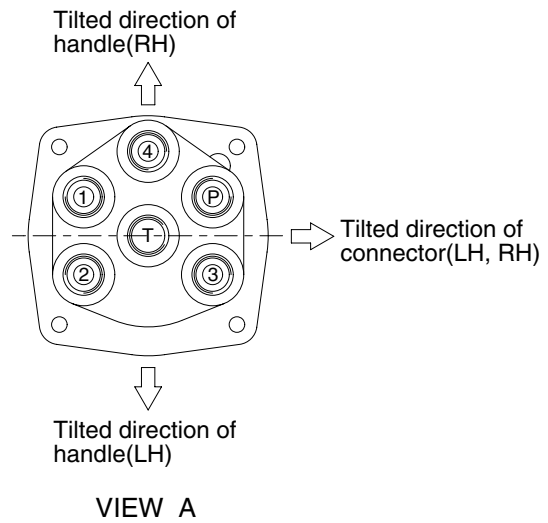
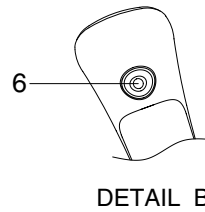
1. STRUCTURE

The casing has the oil inlet port P (primary pressure) and the oil outlet port T (tank). In addition the secondary pressure is taken out through ports 1, 2, 3 and 4 provided at the bottom face.



Switches

No.	LH	RH
5	One touch decel	Horn
6	Power boost	Breaker



Hydraulic circuit

Port	LH	RH	Port size
P	Pilot oil inlet port	Pilot oil inlet port	PF 1/4
T	Pilot oil return port	Pilot oil return port	
1	Left swing port	Bucket out port	
2	Arm in port	Boom down port	
3	Right swing port	Bucket in port	
4	Arm out port	Boom up port	

21092RL01

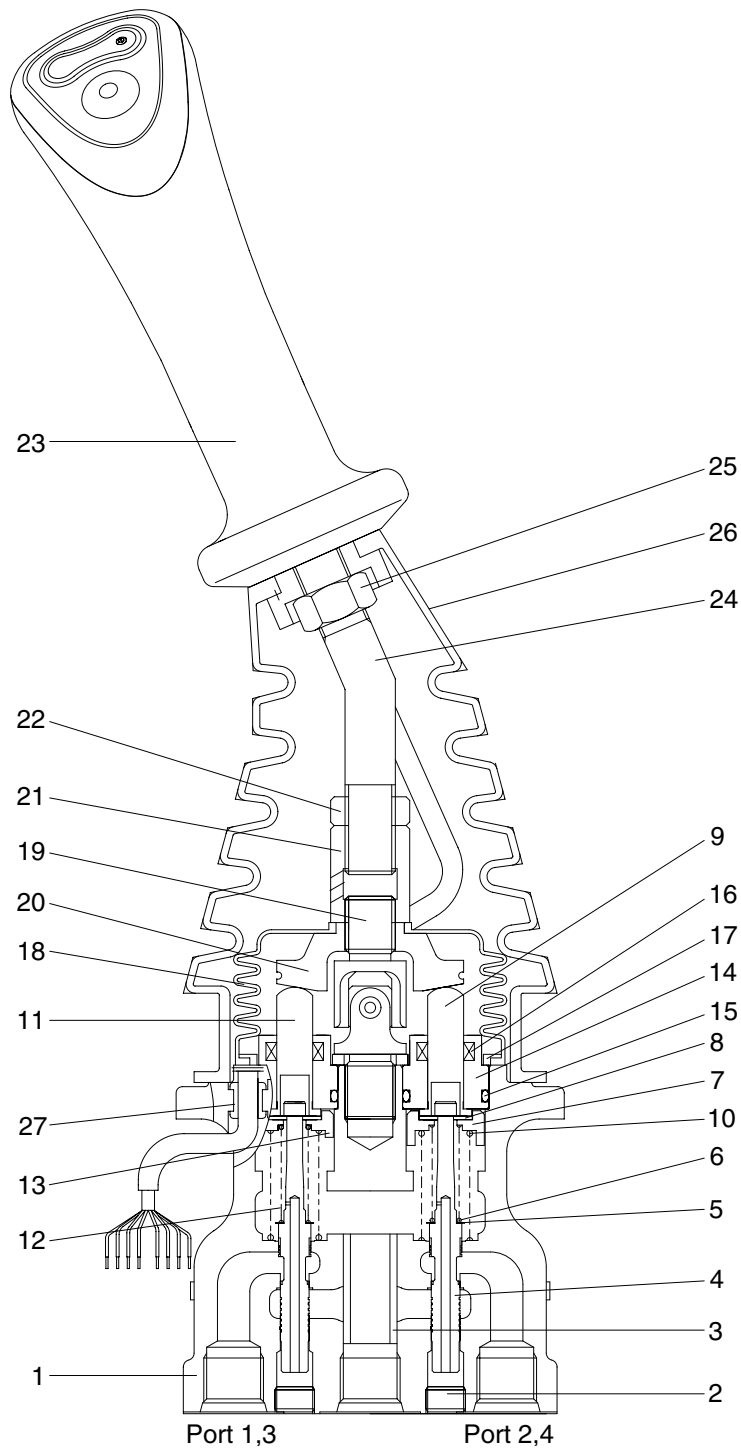
CROSS SECTION

The construction of the pilot valve is shown in the attached cross section drawing. The casing has vertical holes in which reducing valves are assembled.

The pressure reducing section is composed of the spool (4), spring (6) for setting secondary pressure, return spring (10), stopper (8), spring seat (7, 13) and shim (5). The spring for setting the secondary pressure has been generally so preset that the secondary pressure is 5 to 20.5 kgf/cm² (depending on the type). The spool is pushed against the push rod (9, 11) by the return spring.

When the push rod is pushed down by tilting the handle, the spring seat comes down simultaneously and changes setting of the secondary pressure spring.

CROSS SECTION



21092RL02

- | | | | |
|---------------|----------------|-------------------|--------------------|
| 1 Case | 8 Stopper | 15 O-ring | 22 Lock nut |
| 2 Plug | 9 Push rod | 16 Rod seal | 23 Handle assembly |
| 3 Bushing | 10 Spring | 17 Plate | 24 Handle bar |
| 4 Spool | 11 Push rod | 18 Boot | 25 Nut |
| 5 Shim | 12 Spring | 19 Joint assembly | 26 Boot |
| 6 Spring seat | 13 Spring seat | 20 Swash plate | 27 Bushing |
| 7 Spring seat | 14 Plug | 21 Adjusting nut | |

2. FUNCTIONS

1) FUNDAMENTAL FUNCTIONS

The pilot valve is a valve that controls the spool stroke, direction, etc of a main control valve. This function is carried out by providing the spring at one end of the main control valve spool and applying the output pressure (secondary pressure) of the pilot valve to the other end.

For this function to be carried out satisfactorily, the pilot valve is composed of the following elements.

- (1) Inlet port (P) where oil is supplied from hydraulic pump.
- (2) Output ports (1, 2, 3 & 4) to apply pressure supplied from inlet port to ends of control valve spools.
- (3) Tank port (T) necessary to control the above output pressure.
- (4) Spool to connect output port to inlet port or tank port.
- (5) Mechanical means to control output pressure, including springs that work on the above spools.

2) FUNCTIONS OF MAJOR SECTIONS

The functions of the spool (4) are to receive the supply oil pressure from the hydraulic pump at its port P, and to change over oil paths to determine whether the pressure oil of port P is led to output ports 1, 2, 3 & 4 or the output port pressure oil to tank port T.

The spring (6) works on this spool to determine the output pressure.

The change the deflection of this spring, the push rod (9,11) is inserted and can slide in the plug (14).

For the purpose of changing the displacement of the push rod through the swash plate (20) and adjusting nut (21) are provided the handle (23) that can be tilted in any direction around the fulcrum of the universal joint (19) center.

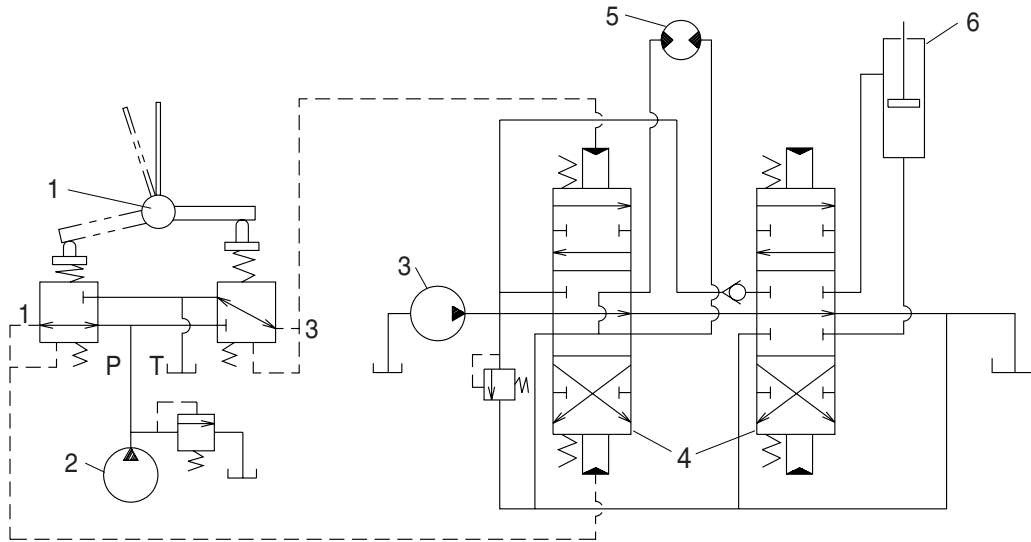
The spring (10) works on the case (1) and spring seat (7, 13) and tries to return the push rod (9,11) to the zero-displacement position irrespective of the output pressure, securing its resetting to the center position.

This also has the effect of a reaction spring to give appropriate control feeling to the operator.

3) OPERATION

The operation of the pilot valve will be described on the basis of the hydraulic circuit diagram shown below and the attached operation explanation drawing.

The diagram shown below is the typical application example of the pilot valve.



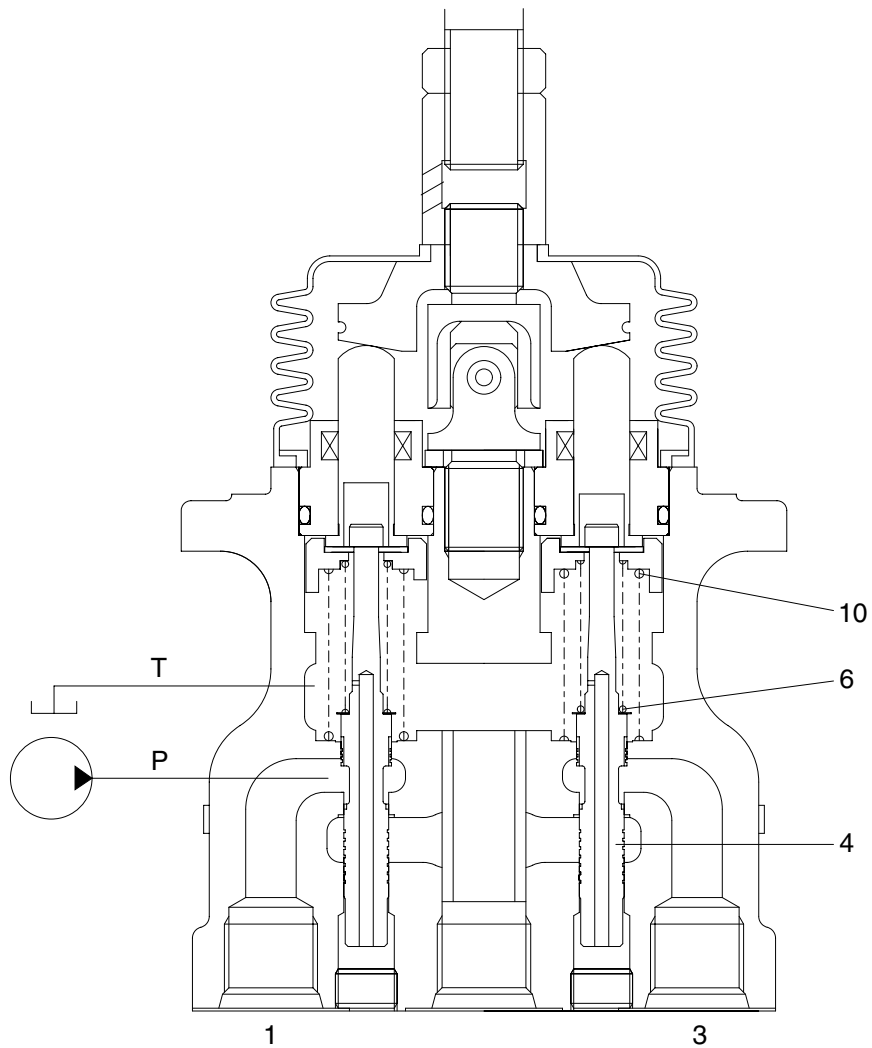
2-70

- 1 Pilot valve
- 2 Pilot pump

- 3 Main pump
- 4 Main control valve

- 5 Hydraulic motor
- 6 Hydraulic cylinder

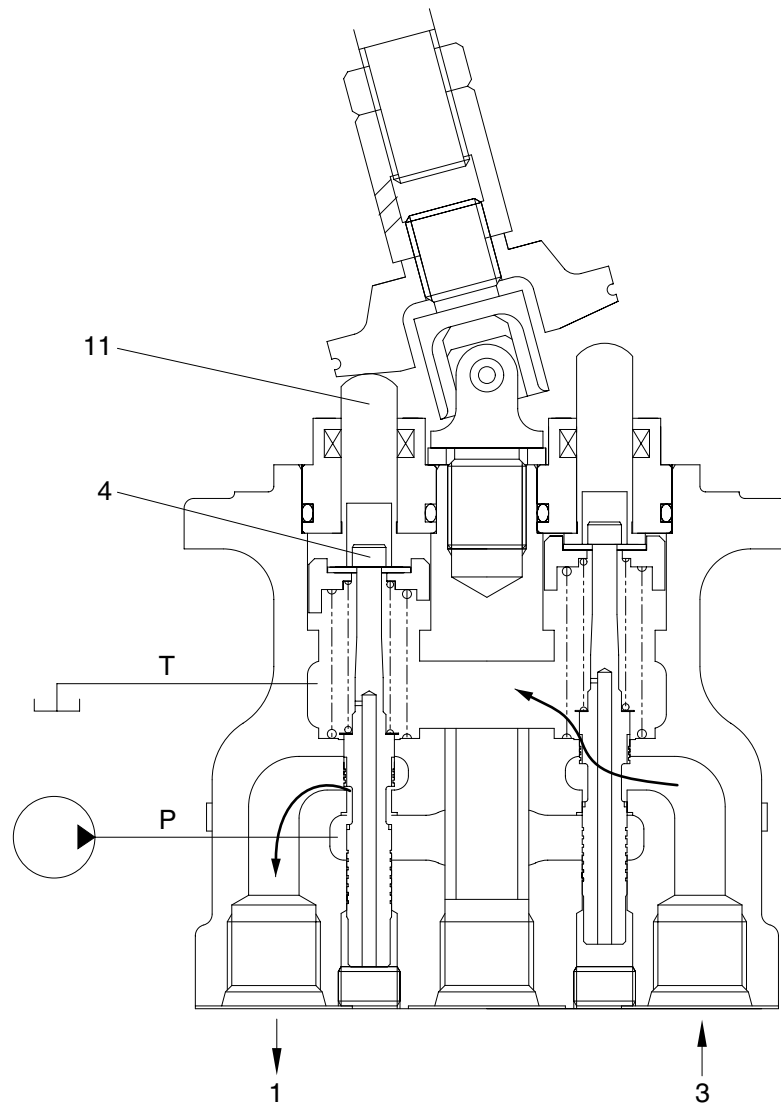
(1) Case where handle is in neutral position



21092RL03

The force of the spring (6) that determines the output pressure of the pilot valve is not applied to the spool (4). Therefore, the spool is pushed up by the spring (10) to the position of port (1, 3) in the operation explanation drawing. Then, since the output port is connected to tank port T only, the output port pressure becomes equal to tank pressure.

(2) Case where handle is tilted



21092RL04

When the push rod (11) is stroked, the spool (4) moves downwards.

Then port P is connected with port (1) and the oil supplied from the pilot pump flows through port (1) to generate the pressure.

When the pressure at port (1) increases to the value corresponding to the spring force set by tilting the handle, the hydraulic pressure force balances with the spring force. If the pressure at port (1) increases higher than the set pressure, port P is disconnected from port (1) and port T is connected with port (1). If it decreases lower than the set pressure, port P is connected with port (1) and port T is disconnected from port 1.

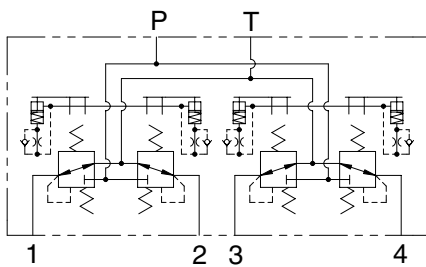
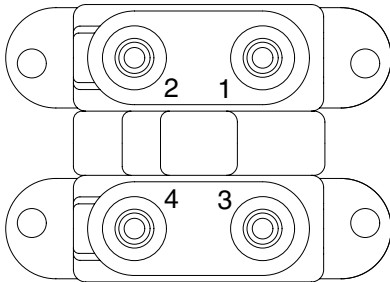
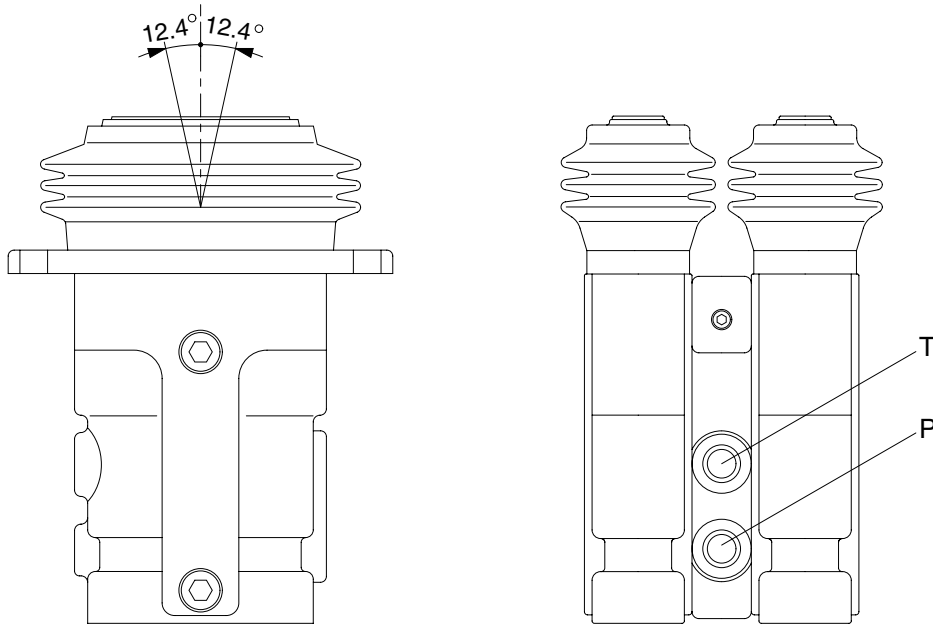
In this manner the secondary pressure is kept at the constant value.

Besides, in some type, when the handle is tilted more than a certain angle, the upper end of the spool contacts with the inside bottom of the push rod and the output pressure is left to be connected with port P.

GROUP 6 RCV PEDAL

1. STRUCTURE

The casing (spacer) has the oil inlet port P (primary pressure), and the oil outlet port T (tank). In addition the secondary pressure is taken out through ports 1, 2, 3 and 4 provided at the bottom face.



Hydraulic circuit

Port	Port	Port size
P	Pilot oil inlet port	PF 1/4
T	Pilot oil return port	
1	Travel (LH, Forward)	
2	Travel (LH, Backward)	
3	Travel (RH, Forward)	
4	Travel (RH, Backward)	

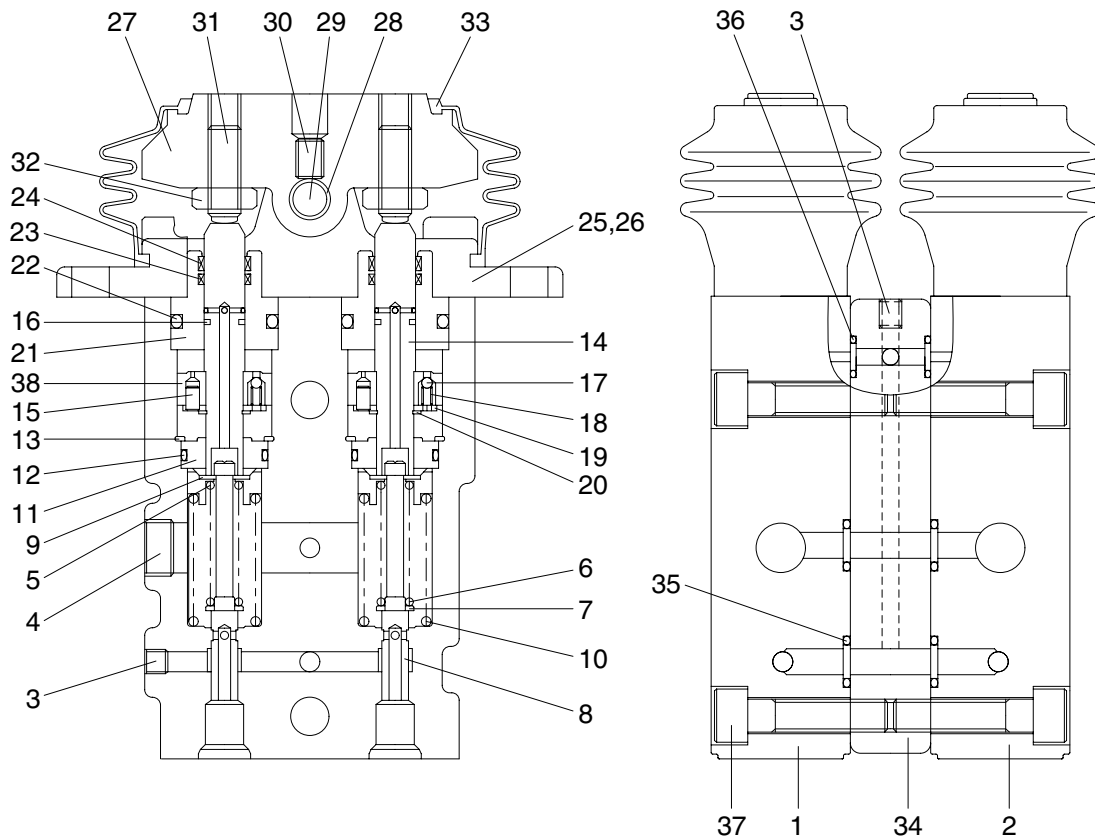
21092RP01

CROSS SECTION

The construction of the RCV pedal is shown in the below drawing. The casing has vertical holes in which reducing valves are assembled.

The pressure reducing section is composed of the spool (8), spring (6) for setting secondary pressure, return spring (10), stopper (9), and spring seat (7). The spring for setting the secondary pressure has been generally so preset that the secondary pressure is 5 to 19 kgf/cm² (depending on the type). The spool is pushed against the push rod (14) by the return spring.

When the push rod is pushed down by tilting pedal, the spring seat comes down simultaneously and changes setting of the secondary pressure spring.



21092RP02

1	Body(1)	14	Push rod	27	Cam
2	Body(2)	15	Spring pin	28	Bushing
3	Plug	16	Seal	29	Cam shaft
4	Plug	17	Steel ball	30	Set screw
5	Spring seat	18	Spring	31	Set screw
6	Spring	19	Plate	32	Nut
7	Spring seat	20	Snap ring	33	Bellows
8	Spool	21	Plug	34	Space
9	Stopper	22	O-ring	35	O-ring
10	Spring	23	Rod seal	36	O-ring
11	Rod guide	24	Dust seal	37	Socket bolt
12	O-ring	25	Cover	38	Piston
13	Snap ring	26	Socket bolt		

2. FUNCTION

1) FUNDAMENTAL FUNCTIONS

The pilot valve is a valve controls the spool stroke, direction, etc of a main control valve. This function is carried out by providing the spring at one end of the main control valve spool and applying the output pressure (secondary pressure) of the pilot valve to the other end.

For this function to be carried out satisfactorily, the pilot valve is composed of the following elements.

- (1) Inlet port (P) where oil is supplied from hydraulic pump.
- (2) Output port (1, 2, 3 & 4) to apply pressure supplied from inlet port to ends of control valve spools.
- (3) Tank port (T) necessary to control the above output pressure.
- (4) Spool to connect output port to inlet port tank port.
- (5) Mechanical means to control output pressure, including springs that work on the above spools.

2) FUNCTIONS OF MAJOR SECTIONS

The functions of the spool (8) are to receive the supply oil pressure from the hydraulic pump at its port P, and to change over oil paths to determine whether the pressure oil of port P is led to output ports 1, 2, 3 & 4 or the output spool to determine the output pressure.

The spring (6) works on this spool to determine the output pressure.

The change the deflection of this spring, the push rod (14) is inserted and can slide in the plug (21). For the purpose of changing th displacement of the push rod through the cam (27) and adjusting nut (32) are provided the pedal that can be tilted in any direction around the fulcrum of the cam (27) center.

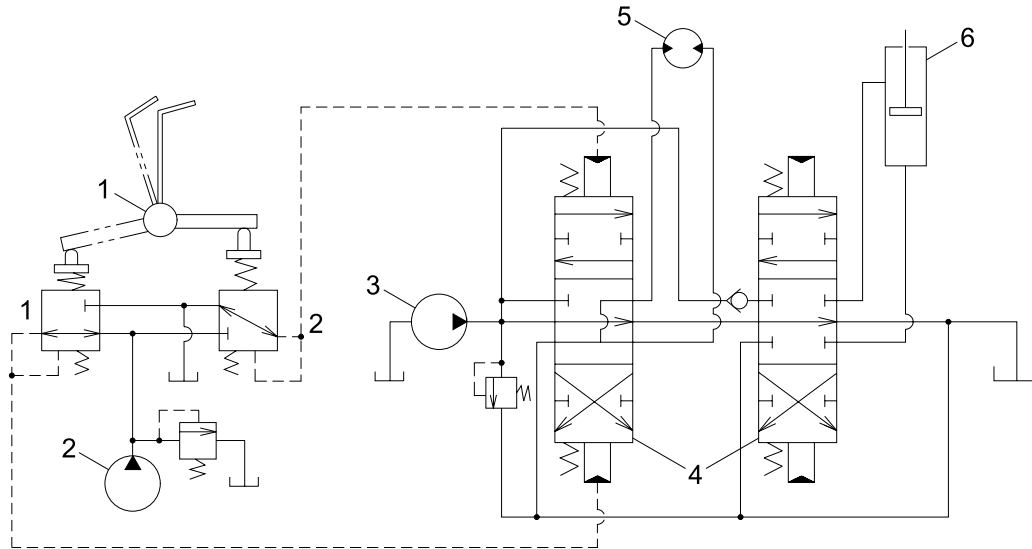
The spring (10) works on the casing (1) and spring seat (7) and tries to return the push rod (14) to the zero-displacement position irrespective of the output pressure, securing its resetting to the center position.

This also has the effect of a reaction spring to give appropriate control feeling to the operator.

3) OPERATION

The operation of the pilot valve will be described on the basis of the hydraulic circuit diagram shown below and the attached operation explanation drawing.

The diagram shown below is the typical application example of the pilot valve.



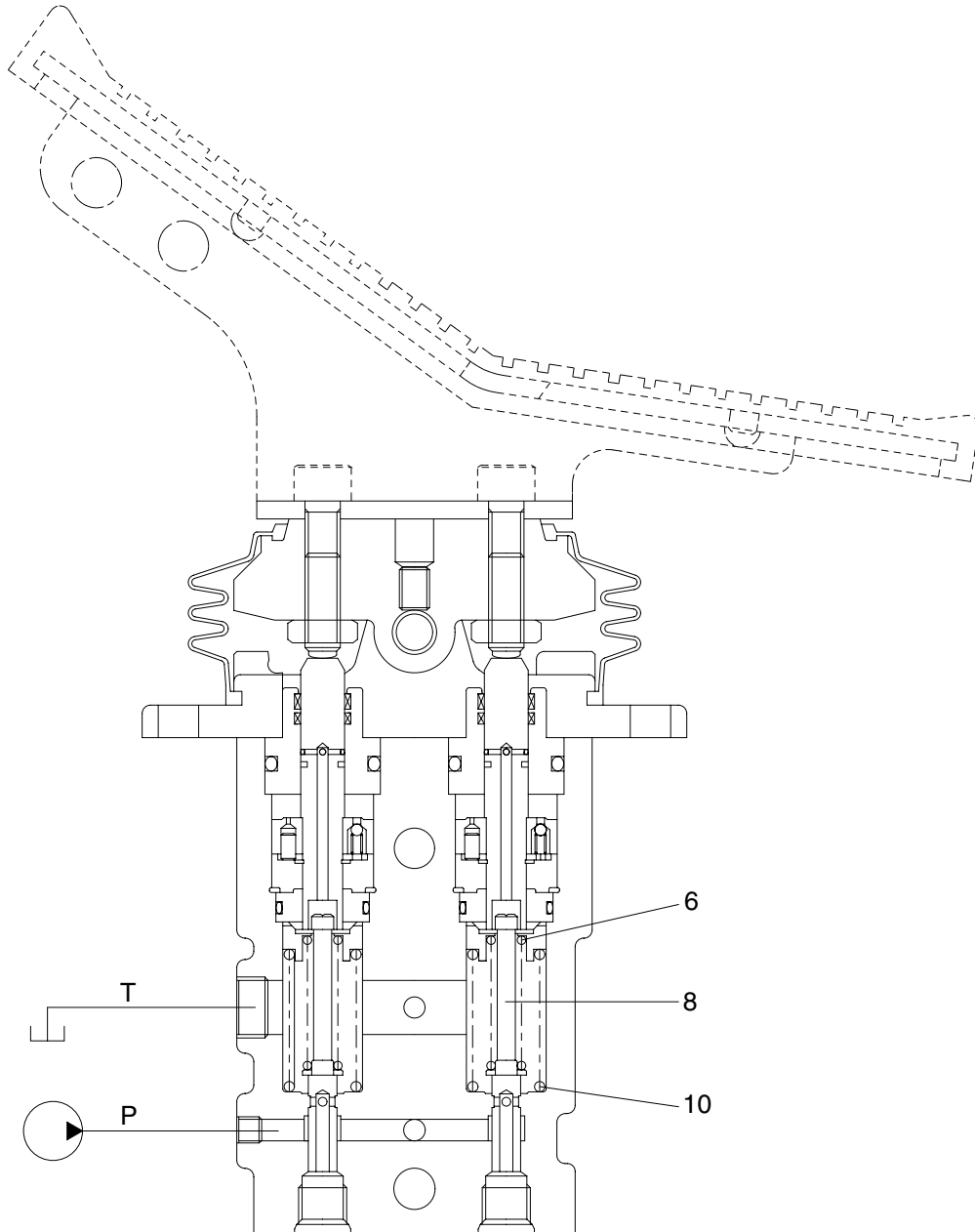
36072SF01

1 Pilot valve
2 Pilot pump

3 Main pump
4 Main control valve

5 Hydraulic motor
6 Hydraulic cylinder

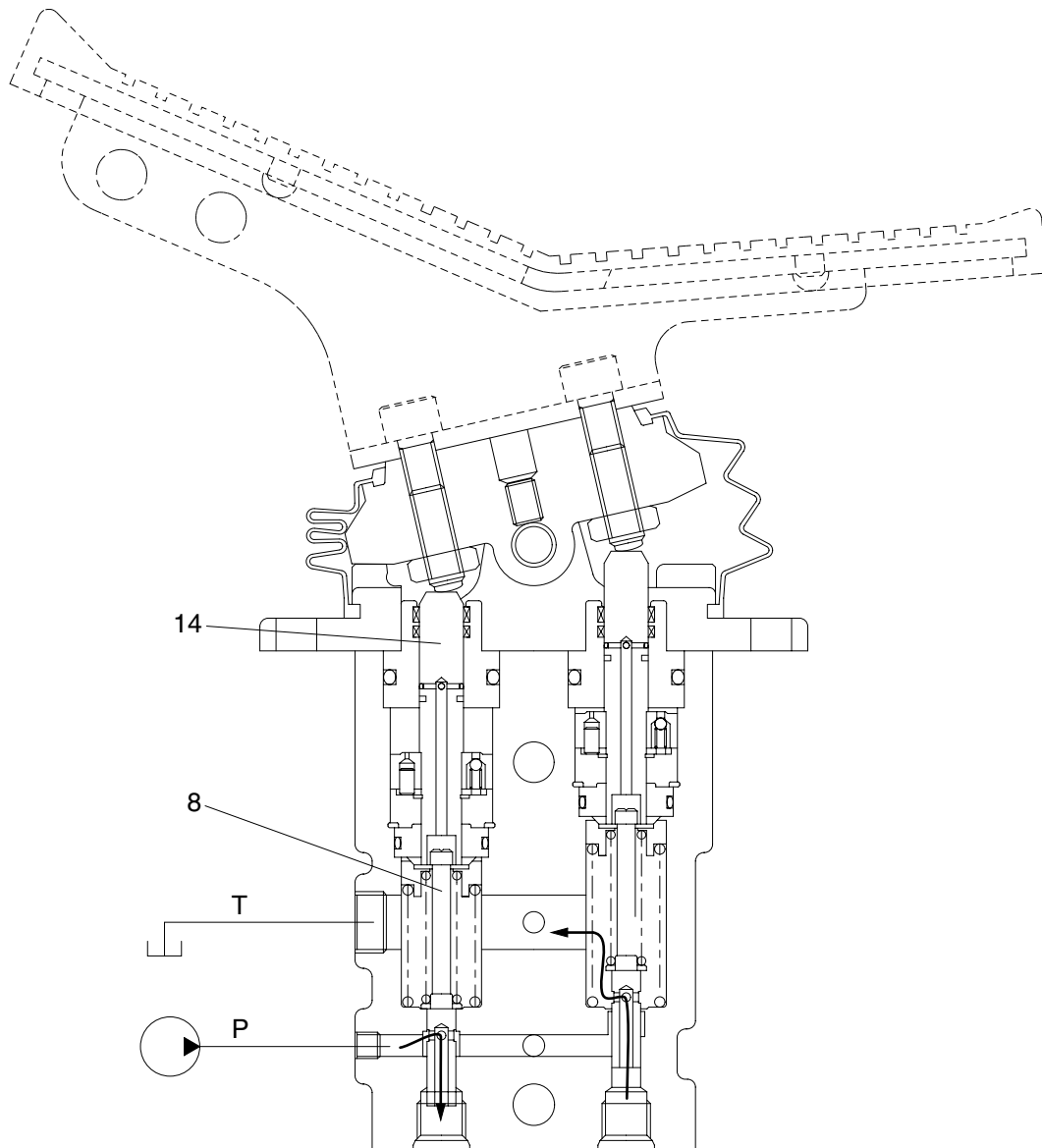
(1) Case where pedal is in neutral position



21092RP03

The force of the spring (6) that determines the output pressure of the pilot valve is not applied to the spool (8). Therefore, the spool is pushed up by the spring (10) to the position of port 2 in the operation explanation drawing. Then, since the output port is connected to tank port T only, the output port pressure becomes equal to tank pressure.

(2) Case where pedal is tilted



21092RP04

When the push rod (14) is stroked, the spool (8) moves downwards.

Then port P is connected with port 1, and the oil supplied from the pilot pump flows through port 1 to generate the pressure.

When the pressure at port 1 increases to the value corresponding to the spring force set by tilting the handle, the hydraulic pressure force balances with the spring force. If the pressure at port 1 increases higher than the set pressure, port P is disconnected from port 1 and port T is connected with port 1. If it decreases lower than the set pressure, port P is connected with port 1 and port T is disconnected from port 1.

In this manner the secondary pressure is kept at the constant value.

Besides, in some type, when the handle is tilted more than a certain angle, the upper end of the spool contacts with inside bottom of the push rod and the output pressure is left to be connected with port P.