

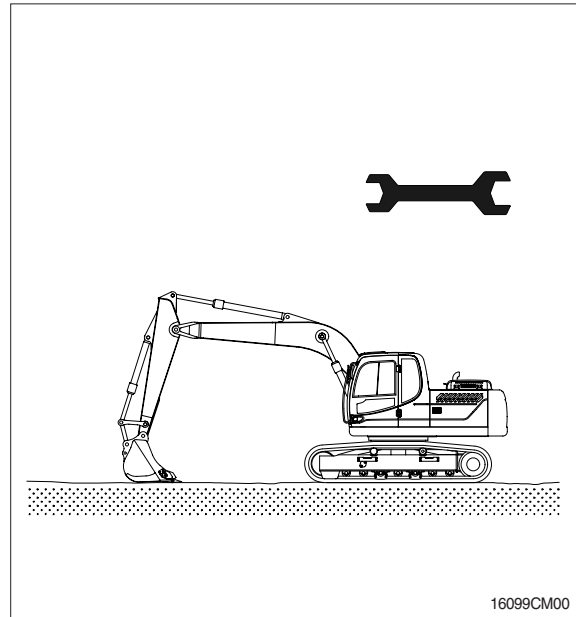
## SECTION 9 COMPONENT MOUNTING TORQUE

Group 1 Introduction guide .....	9-1
Group 2 Engine system .....	9-2
Group 3 Electric system .....	9-4
Group 4 Hydraulic system .....	9-6
Group 5 Undercarriage .....	9-9
Group 6 Structure .....	9-10
Group 7 Work equipment .....	9-14

# SECTION 9 COMPONENT MOUNTING TORQUE

## GROUP 1 INTRODUCTION GUIDE

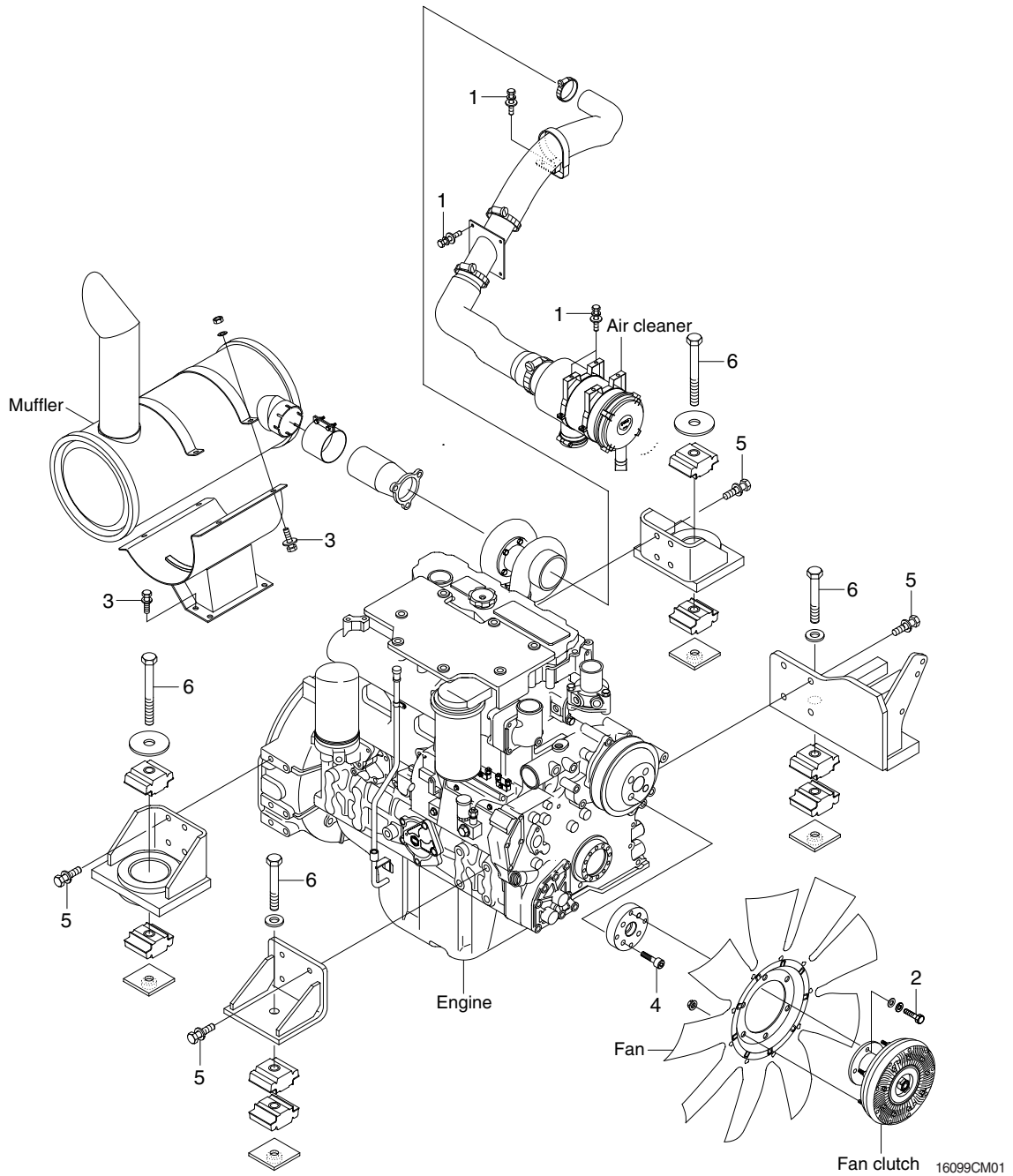
1. This section shows bolt specifications and standard torque values needed when mounting components to the machine.
  2. Use genuine Hyundai spare parts.  
We expressly point out that Hyundai will not accept any responsibility for defects resulted from non-genuine parts.  
In such cases Hyundai cannot assume liability for any damage.
- ※ Only metric fasteners can be used and incorrect fasteners may result in machine damage or malfunction.
  - ※ Before installation, clean all the components with a non-corrosive cleaner. Bolts and threads must not be worn or damaged.



16099CM00

# GROUP 2 ENGINE SYSTEM

## 1. ENGINE AND ACCESSORIES MOUNTING

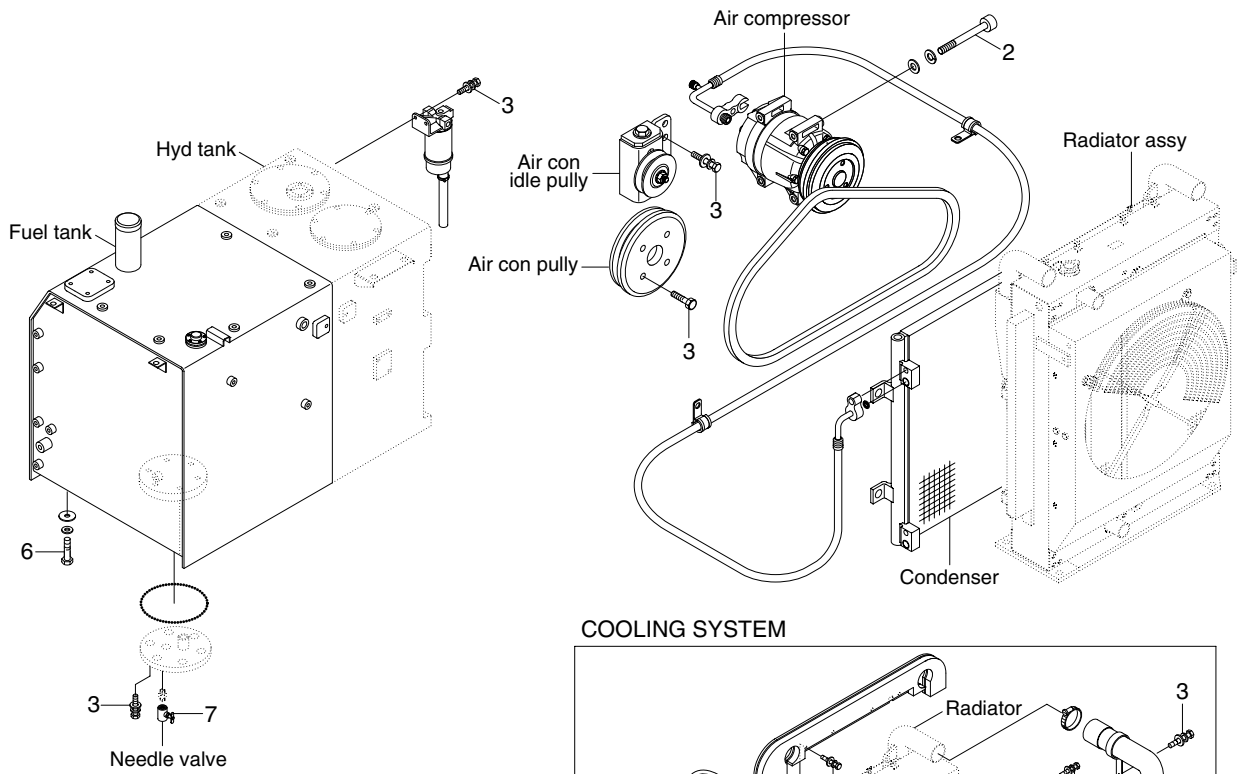


• Tightening torque

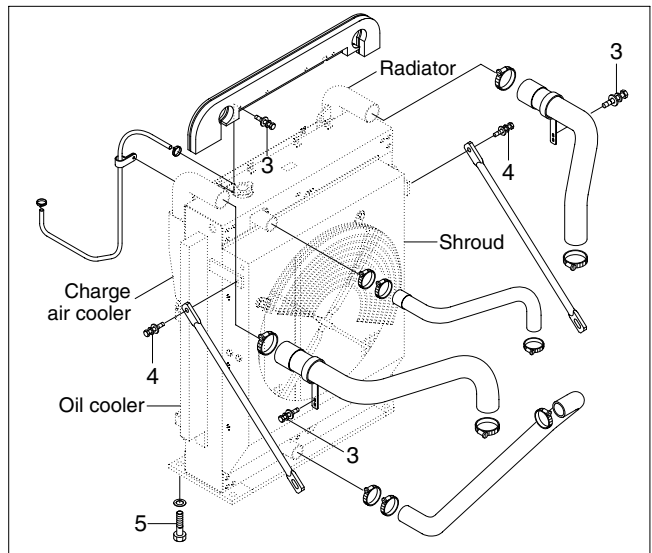
Item	Size	kgf · m	lbf · ft
1	M 8×1.25	2.5±0.5	18.1±3.6
2	M10×1.5	4.4±0.5	31.8±3.6
3	M10×1.5	6.9±1.4	49.9±10.1

Item	Size	kgf · m	lbf · ft
4	M10×1.5	8.27±1.7	59.8±12.3
5	M12×1.75	10.0±1.0	72.3±7.2
6	M20×2.5	55±3.5	398±25.3

## 2. COOLING SYSTEM AND FUEL TANK MOUNTING



COOLING SYSTEM



16099CM02

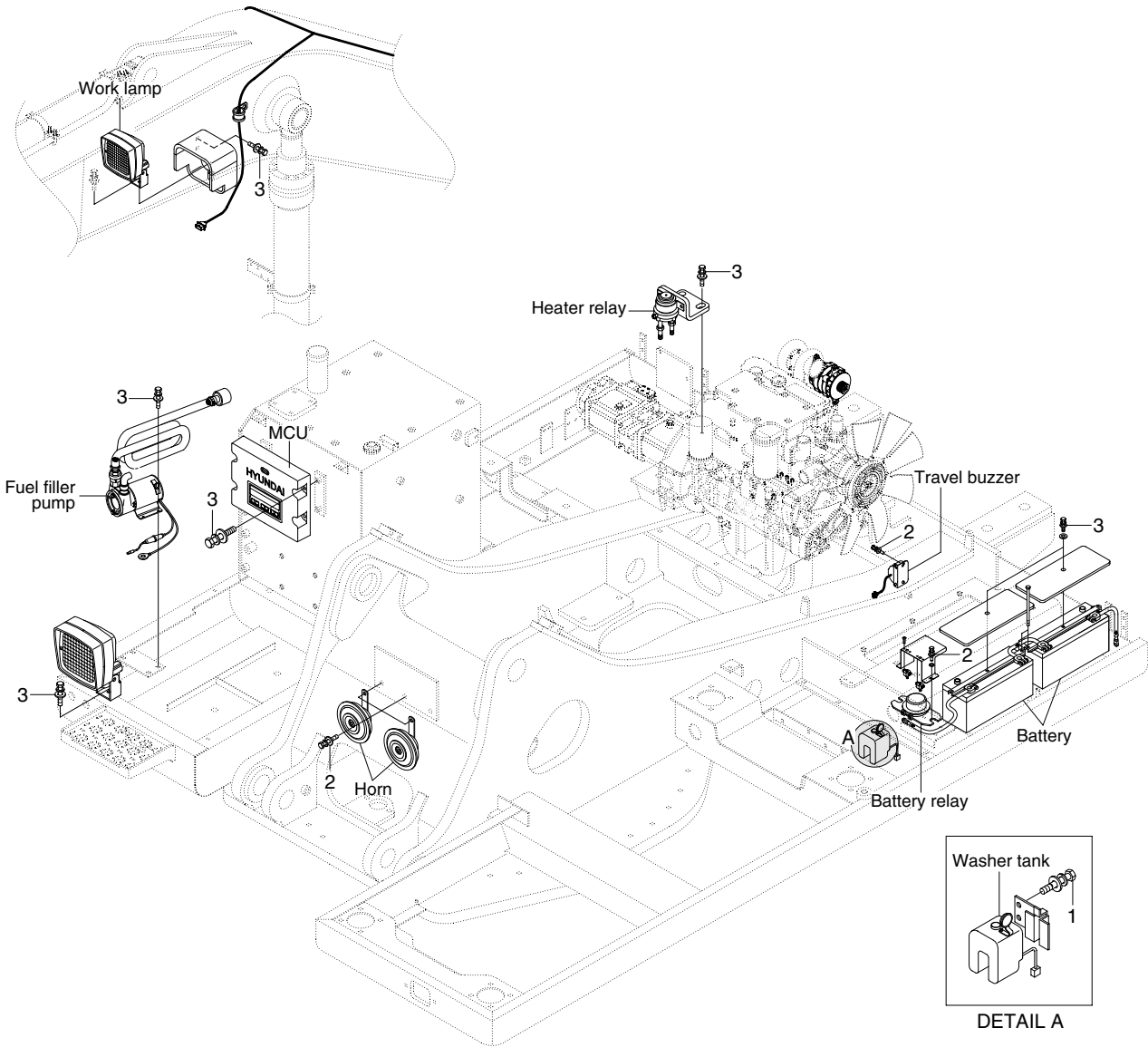
### · Tightening torque

Item	Size	kgf · m	lbf · ft
1	M 8×1.25	2.5±0.5	18.1±3.6
2	M 8×1.25	4.05±0.8	29.3±5.8
3	M10×1.5	6.9±1.4	49.9±10.1
4	M12×1.75	12.8±3.0	92.6±21.7

Item	Size	kgf · m	lbf · ft
5	M16×2.0	29.7±4.5	215±32.5
6	M20×2.5	46±5.1	333±36.9
7	-	2.3±0.6	16.6±4.3
-	-	-	-

# GROUP 3 ELECTRIC SYSTEM

## 1. ELECTRIC COMPONENTS MOUNTING 1



16099CM03

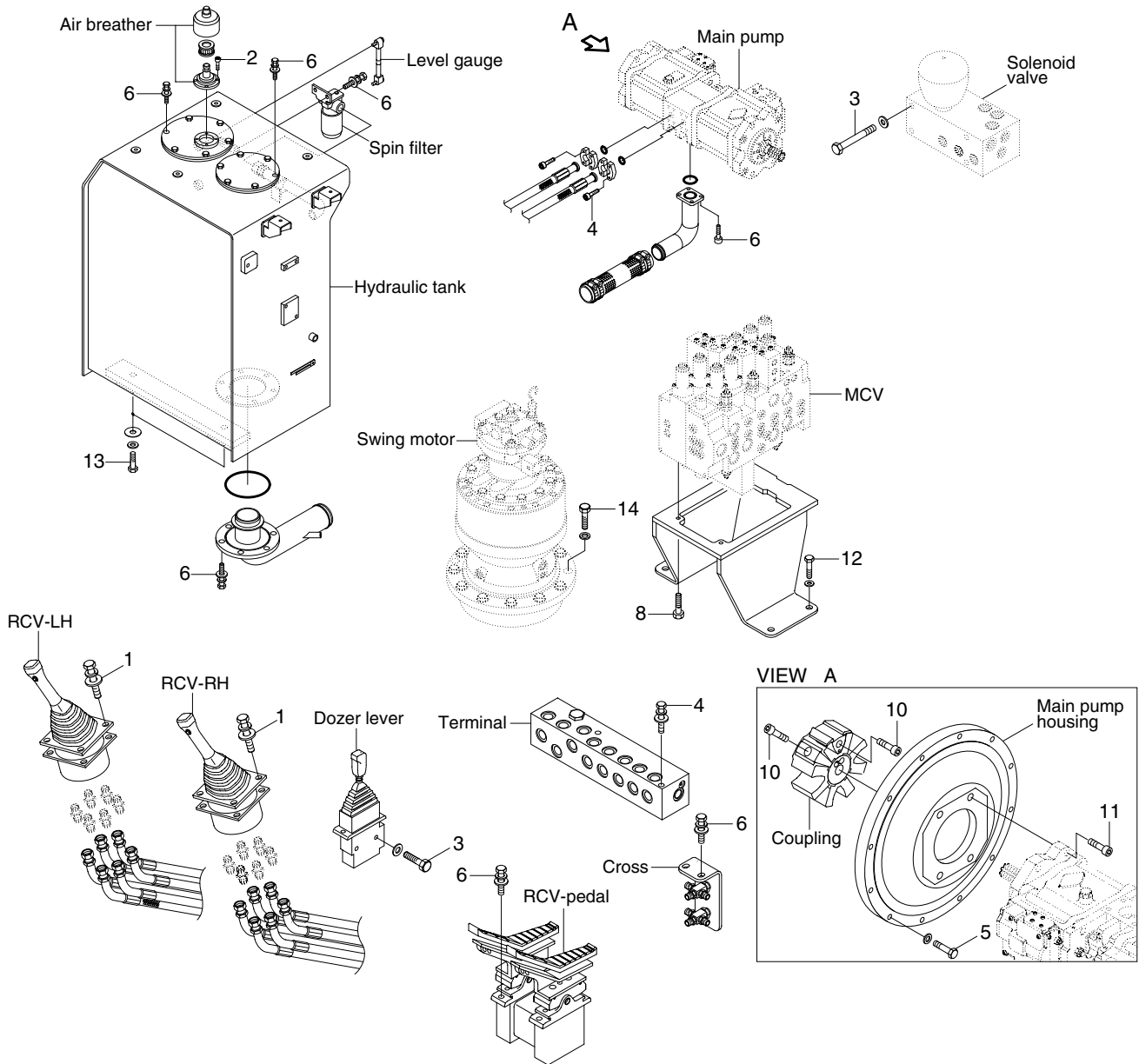
### · Tightening torque

Item	Size	kgf · m	lbf · ft
1	M 6×1.0	1.05±0.2	7.6±1.45
2	M 8×1.25	2.5±0.5	18.1±3.6

Item	Size	kgf · m	lbf · ft
3	M10×1.5	6.9±1.4	49.9±10.1
-	-	-	-

# GROUP 4 HYDRAULIC SYSTEM

## 1. HYDRAULIC COMPONENTS MOUNTING 1



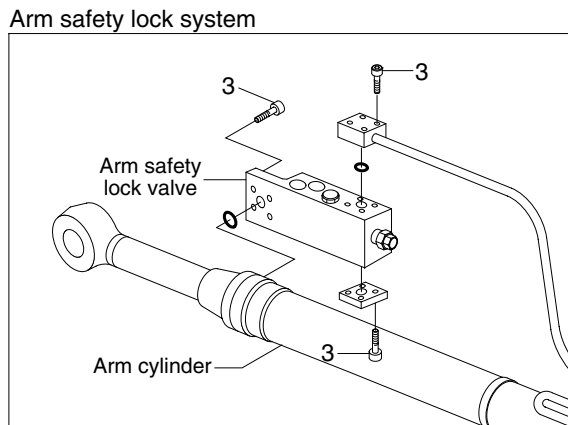
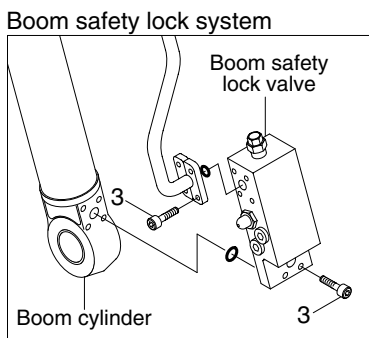
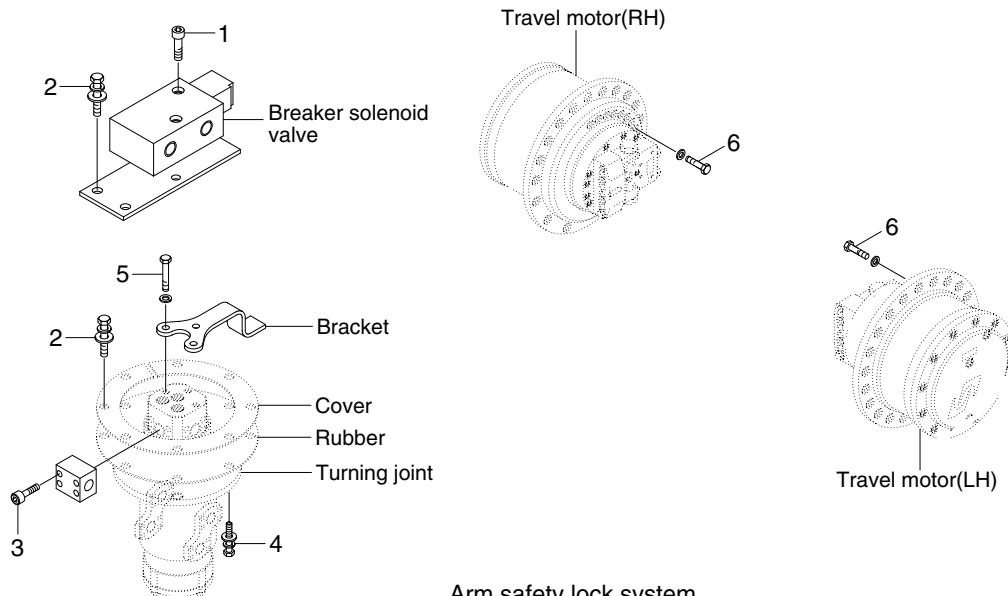
16099CM05

### · Tightening torque

Item	Size	kgf · m	lbf · ft
1	M6×1.0	1.05±0.2	7.6±1.45
2	M6×1.0	1.44±0.3	10.4±2.2
3	M8×1.25	2.5±0.5	18.1±3.6
4	M8×1.25	4.05±0.8	29.3±5.8
5	M10×1.5	6.0±0.3	43.4±2.2
6	M10×1.5	6.9±1.4	49.9±10.1
7	M10×1.5	8.27±1.7	59.8±12.3

Item	Size	kgf · m	lbf · ft
8	M12×1.75	12.2±1.3	88.2±9.4
9	M12×1.75	14.7±2.2	106±15.9
10	M16×2.0	22±1.0	159±7.2
11	M16×2.0	22.5±0.5	163±3.6
12	M16×2.0	29.7±4.5	215±32.5
13	M20×2.5	46±5.1	333±36.9
14	M20×2.5	57.9±8.7	419±62.9

## 2. HYDRAULIC COMPONENTS MOUNTING 2



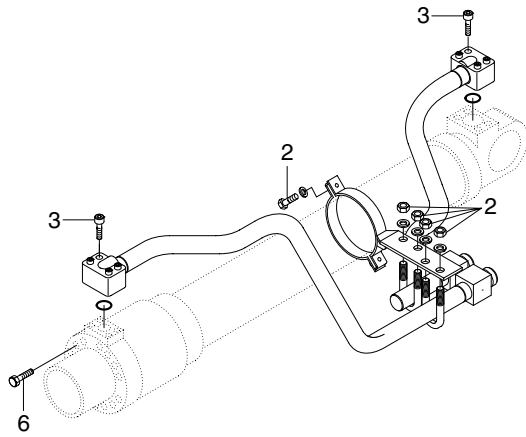
16099CM06

### · Tightening torque

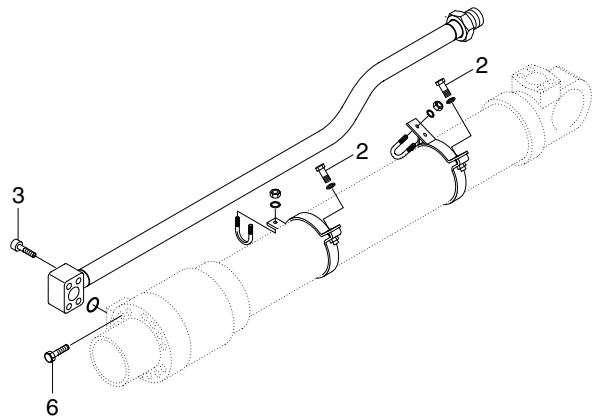
Item	Size	kgf · m	lbf · ft
1	M 8×1.25	3.43±0.7	24.8±5.1
2	M10×1.5	6.9±1.4	49.9±10.1
3	M10×1.5	8.27±1.7	59.8±12.3

Item	Size	kgf · m	lbf · ft
4	M12×1.75	12.3±1.3	88.9±9.4
5	M14×2.0	19.6±2.9	142±21.0
6	M16×2.0	23.0±2.5	166±18.1

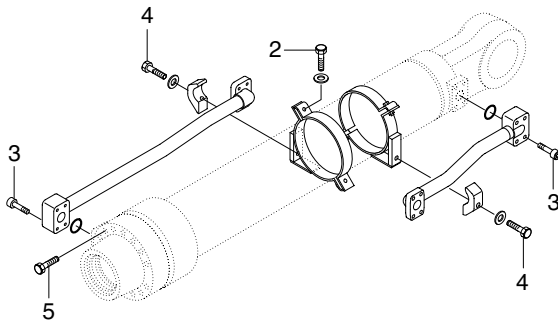
### 3. HYDRAULIC COMPONENTS MOUNTING 3



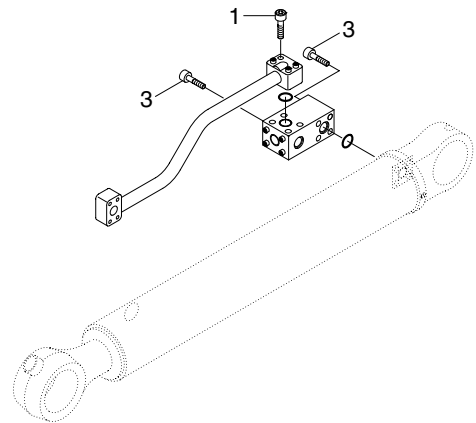
BOOM CYLINDER



ARM CYLINDER



BUCKET CYLINDER



DOZER BLADE CYLINDER

16099CM07

• Tightening torque

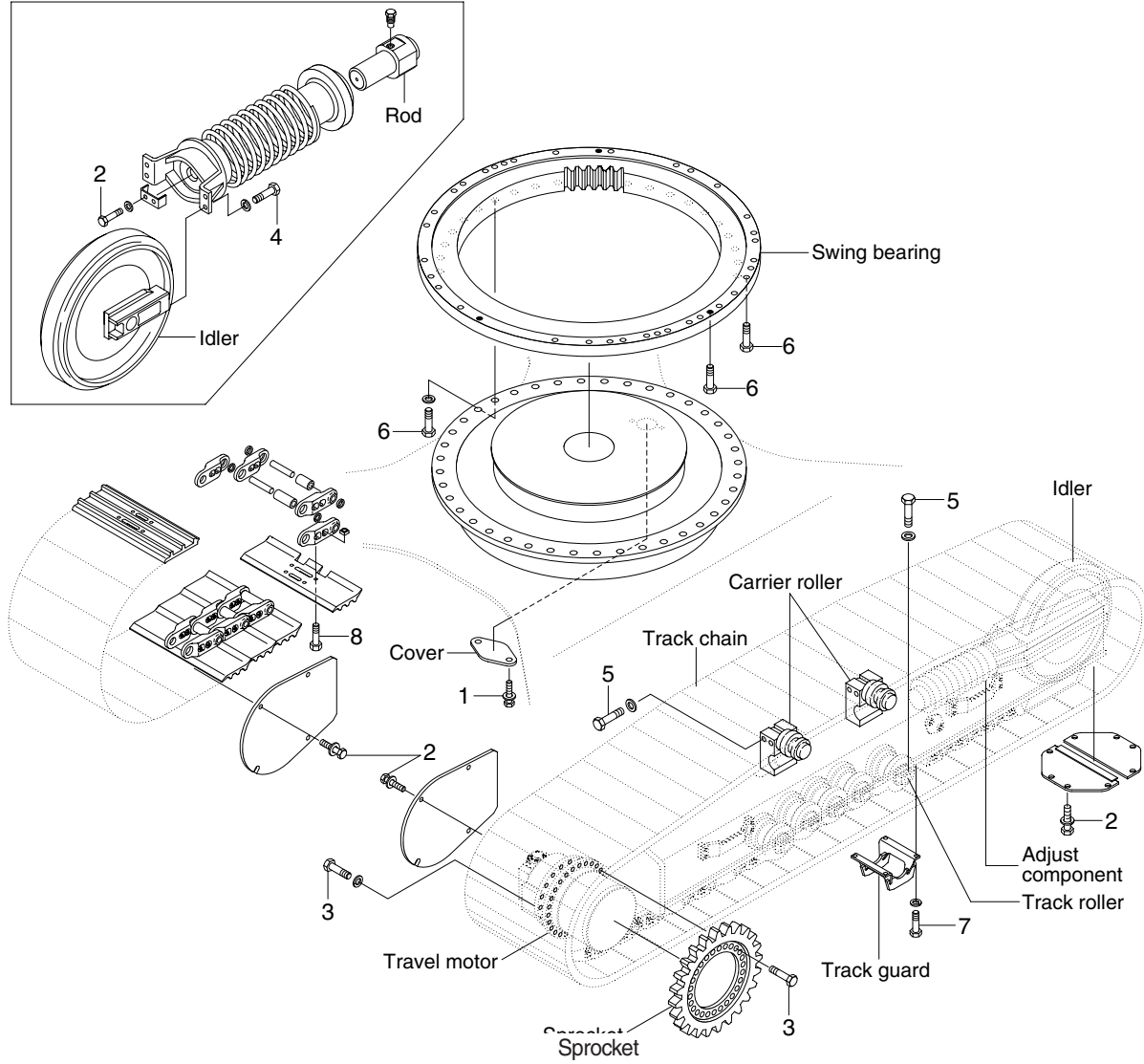
Item	Size	kgf · m	lbf · ft
1	M 8×1.25	2.7±0.3	19.5±2.2
2	M10×1.5	3.2±0.3	23.1±2.2
3	M10×1.5	5.4±0.5	39.1±3.6

Item	Size	kgf · m	lbf · ft
4	M12×1.75	9.0±1.0	65.1±7.2
5	M14×2.0	15±2.0	108±14.5
6	M16×2.0	23±2.0	166±14.5



# GROUP 5 UNDERCARRIAGE

## ADJUST COMPONENT



16099CM08

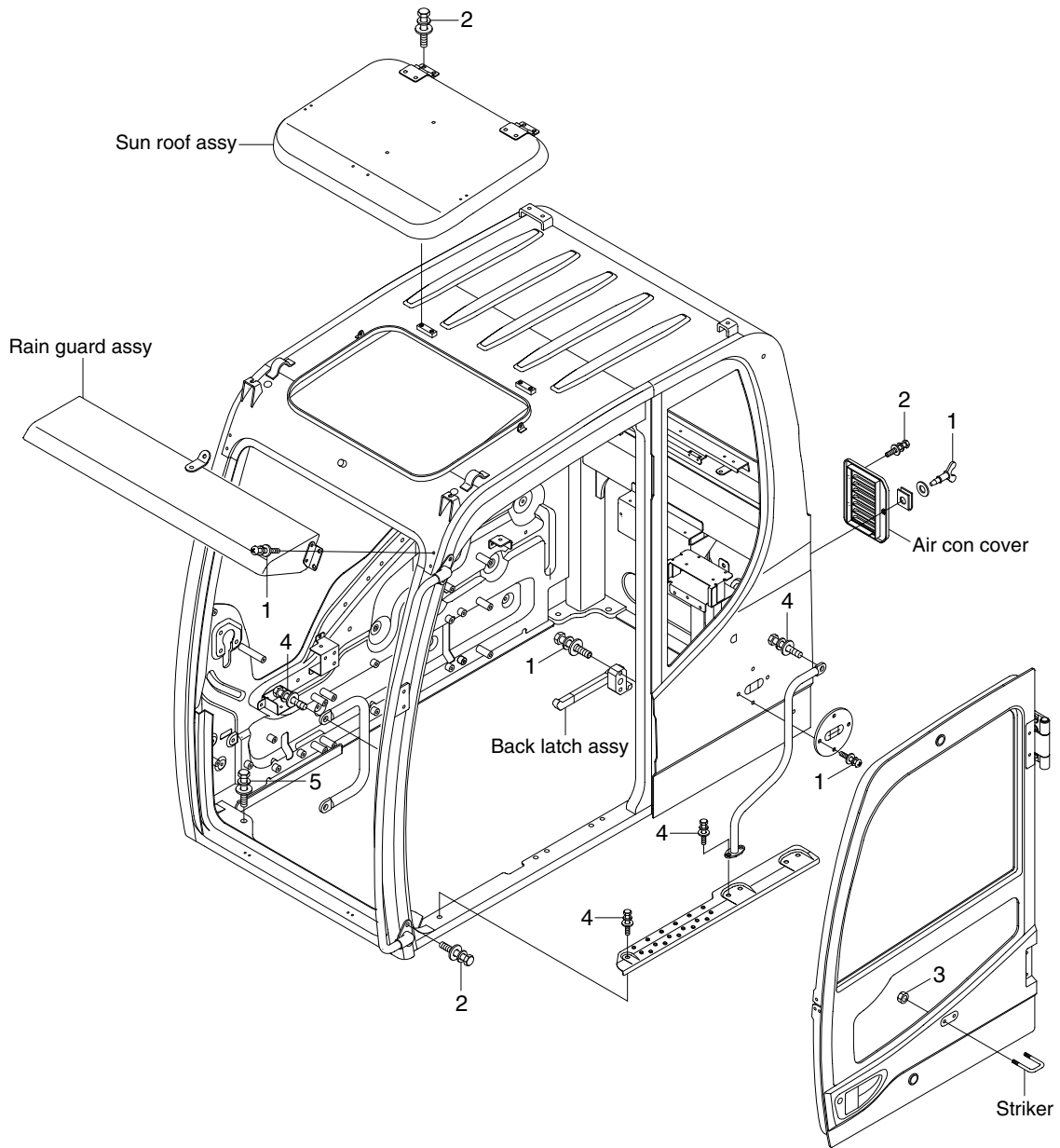
### • Tightening torque

Item	Size	kgf · m	lbf · ft
1	M10×1.5	6.9±1.4	49.9±10.1
2	M12×1.75	12.8±3.0	92.6±21.7
3	M16×2.0	23±2.5	166±18.1
4	M16×2.0	29.7±4.5	215±32.5

Item	Size	kgf · m	lbf · ft
5	M20×2.5	54.7±6.0	396±43.4
6	M20×2.5	58±6.3	420±45.6
7	M20×2.5	57.9±8.7	419±62.9
8	5/8-18UNF	42±4.0	304±28.9

# GROUP 6 STRUCTURE

## 1. CAB AND ACCESSORIES MOUNTING



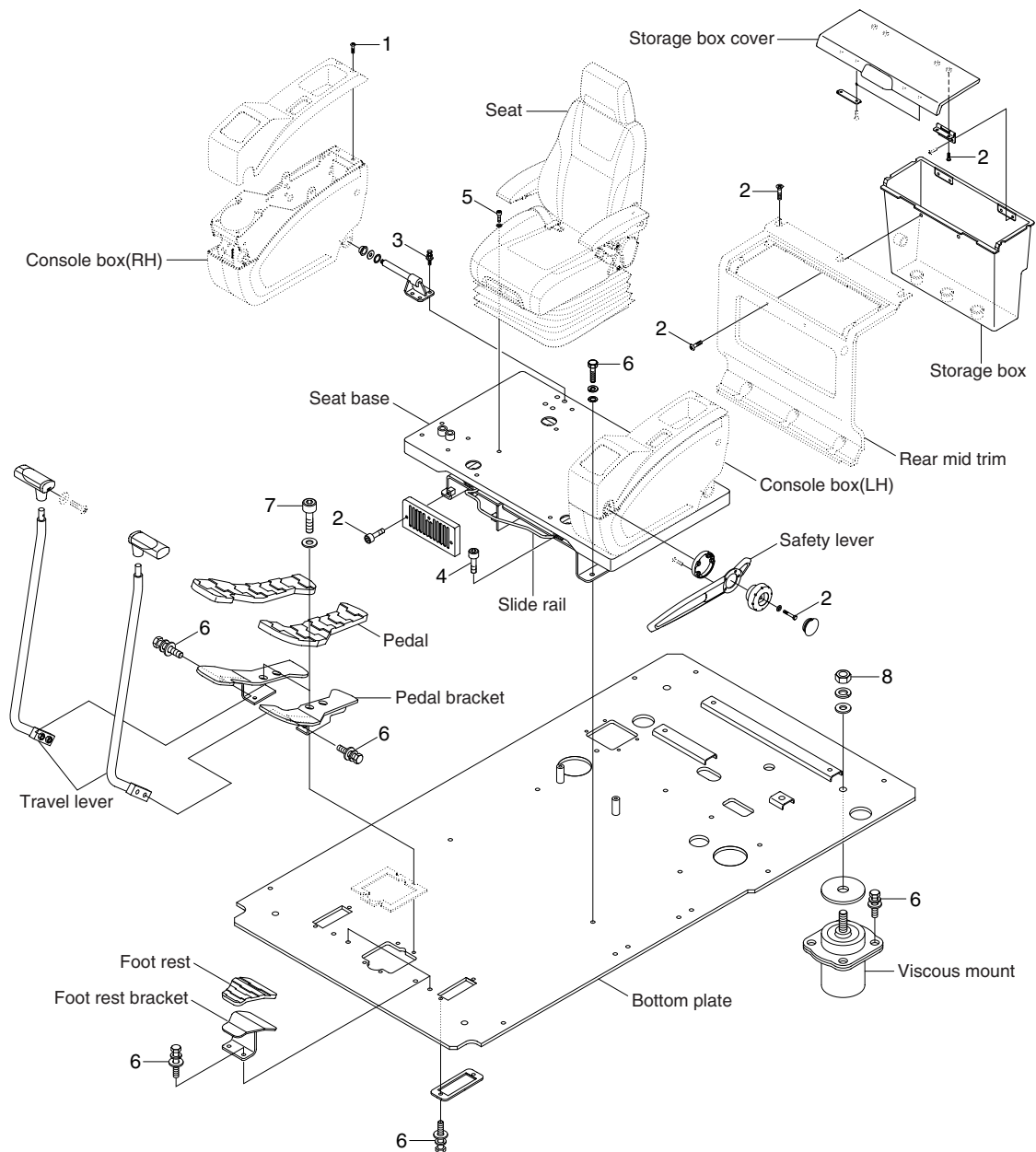
14W99CM10

### • Tightening torque

Item	Size	kgf · m	lbf · ft
1	M 6×1.0	1.44±0.3	10.4±2.2
2	M 8×1.25	2.5±0.5	18.1±3.6
3	M10×1.5	4.7±0.9	34±6.5

Item	Size	kgf · m	lbf · ft
4	M10×1.5	6.9±1.4	49.9±10.1
5	M12×1.75	12.8±3.0	92.6±21.7

## 2. CAB INTERIOR MOUNTING



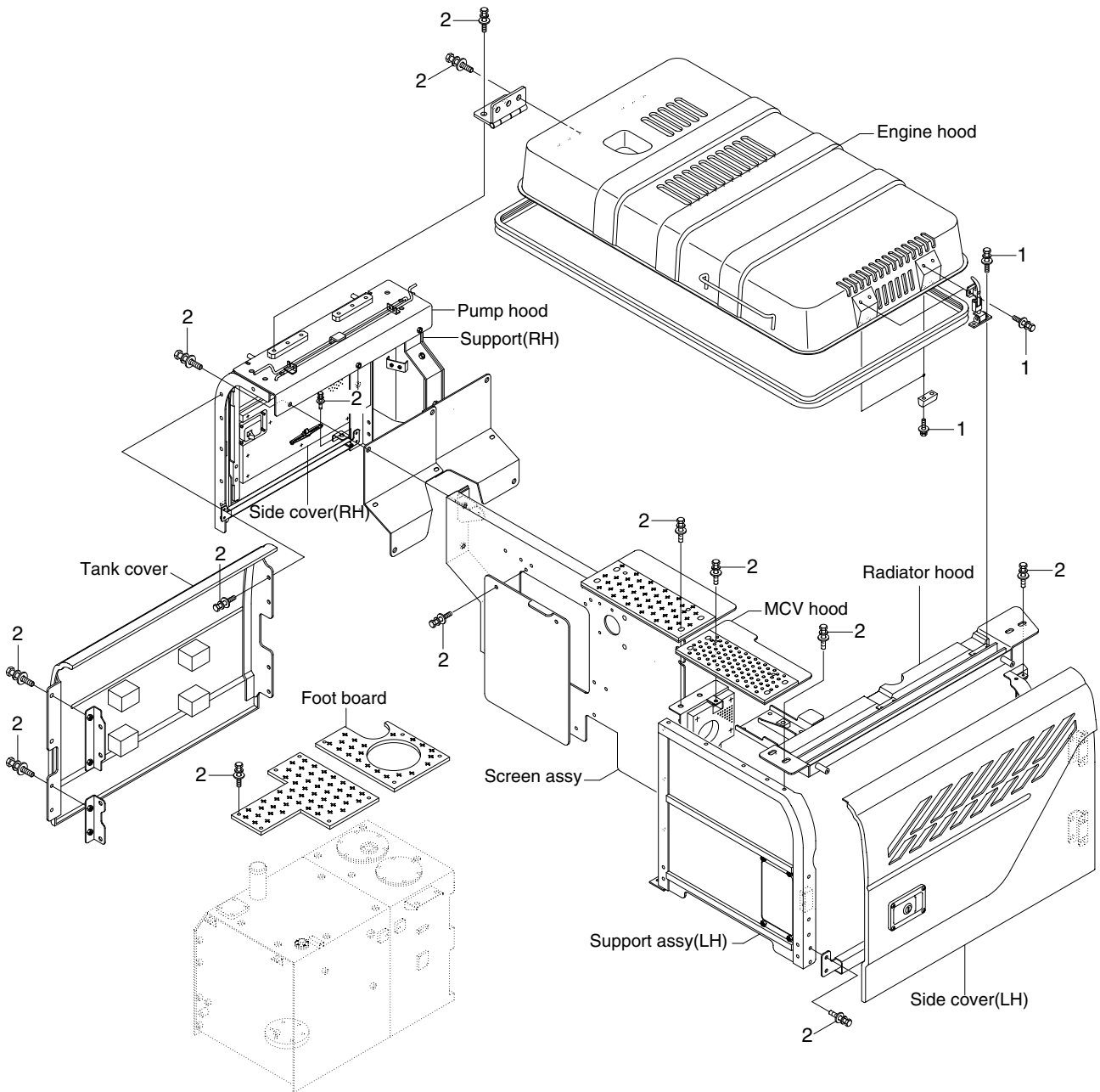
14099CM10

### · Tightening torque

Item	Size	kgf · m	lbf · ft
1	M 6×1.0	0.49±0.1	3.5±0.7
2	M 6×1.0	1.05±0.2	7.6±1.4
3	M 8×1.25	2.5±0.5	18.1±3.6
4	M 8×1.25	3.43±0.7	24.8±5.1

Item	Size	kgf · m	lbf · ft
5	M 8×1.25	4.05±0.8	29.3±5.8
6	M10×1.5	6.9±1.4	49.9±10.1
7	M10×1.5	8.3±1.7	60.0±12.3
8	M16×2.0	29.7±4.5	215±32.5

### 3. COWLING MOUNTING

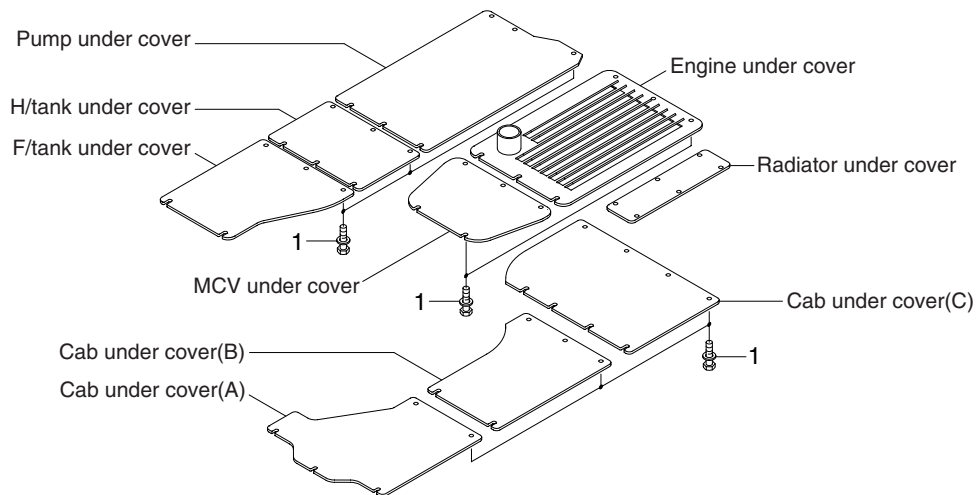
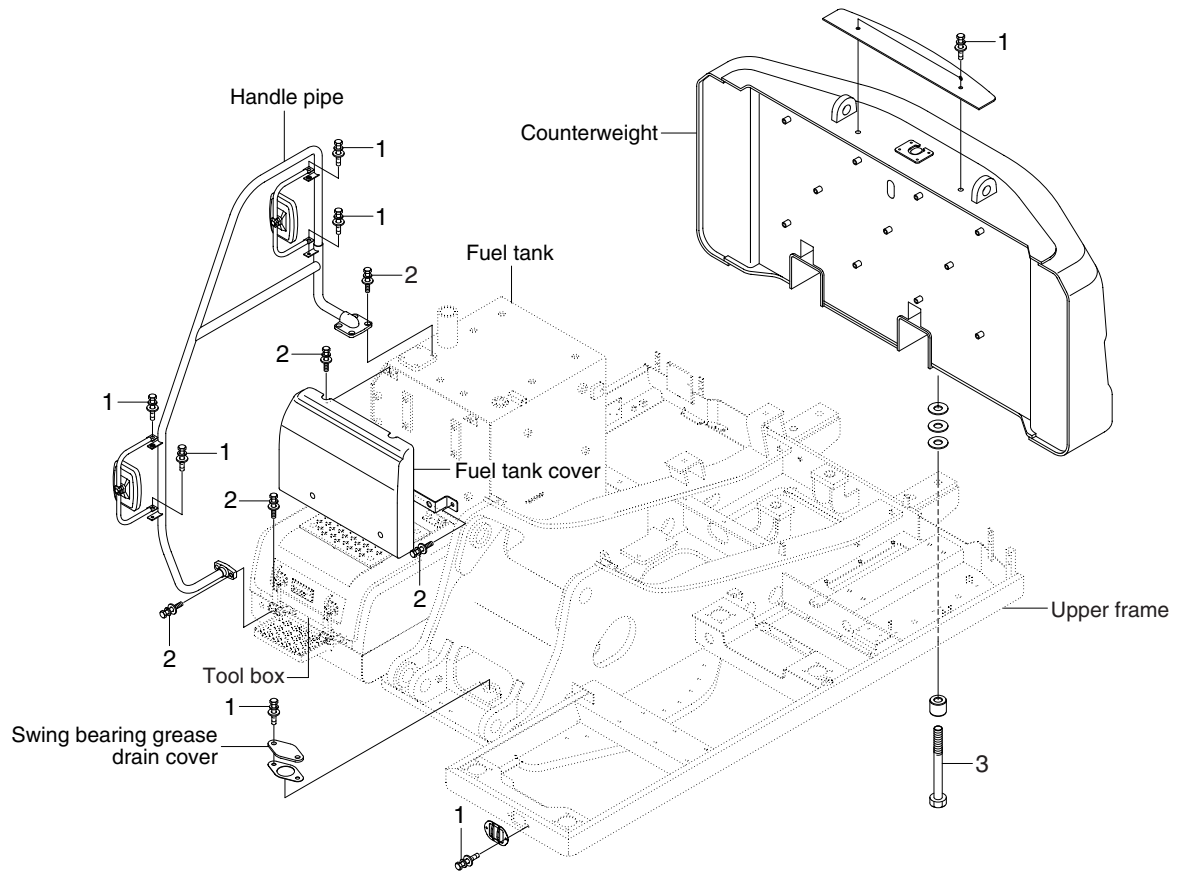


16099CM11

#### · Tightening torque

Item	Size	kgf · m	lbf · ft
1	M 8×1.25	1.05±0.2	7.6±1.4
2	M12×1.75	12.8±3.0	92.6±21.7

## 4. COUNTERWEIGHT AND COVERS MOUNTING

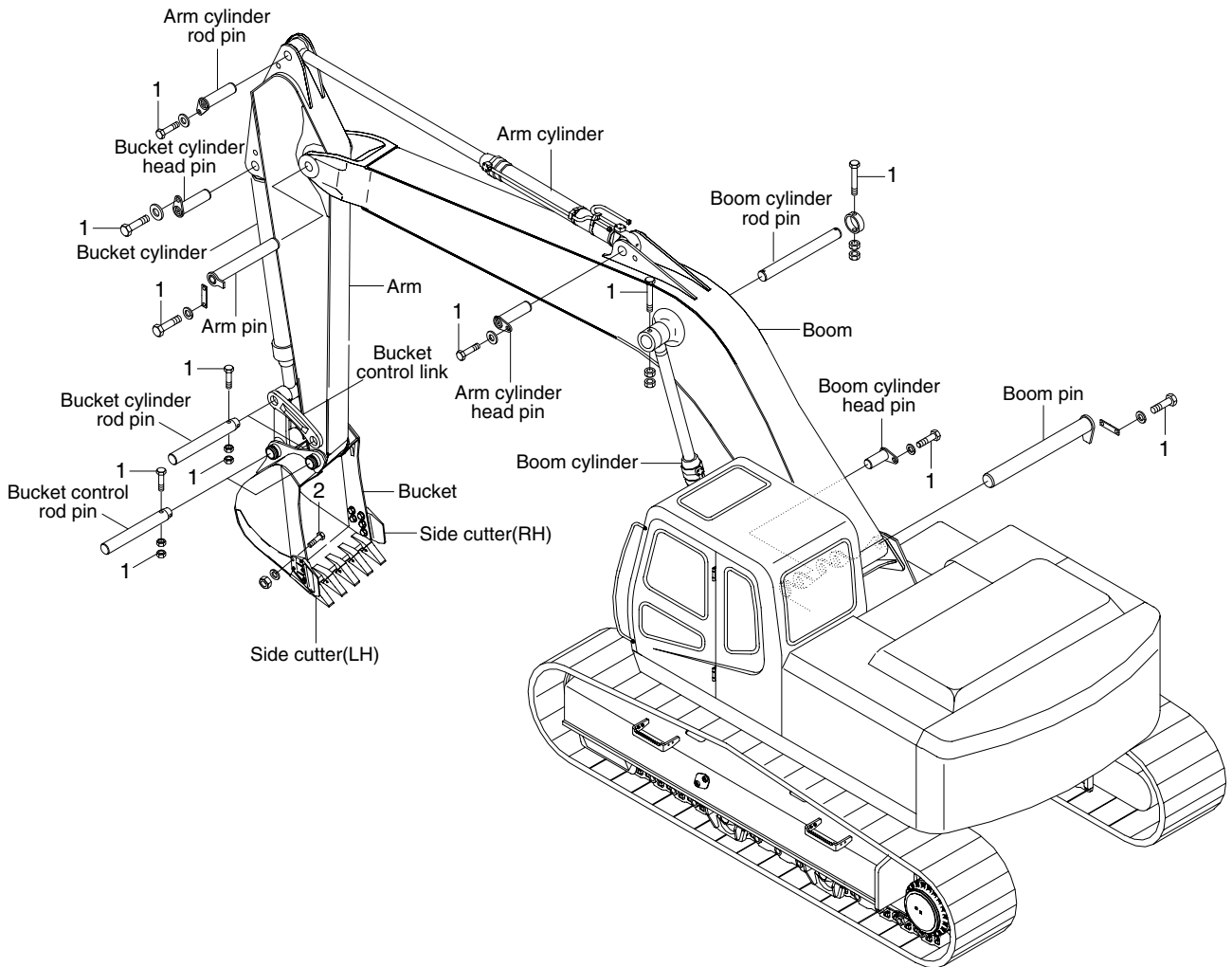


16099CM12

### · Tightening torque

Item	Size	kgf · m	lbf · ft
1	M10×1.5	6.9±1.4	49.9±10.1
2	M12×1.75	12.8±3.0	92.6±21.7
3	M30×3.0	199±30	1439±217

## GROUP 7 WORK EQUIPMENT



16099CM13

### · Tightening torque

Item	Size	kgf · m	lbf · ft
1	M16×2.0	29.7±4.5	215±32.5
2	M20×2.5	57.9±8.7	419±62.9