

SECTION 2 STRUCTURE AND FUNCTION

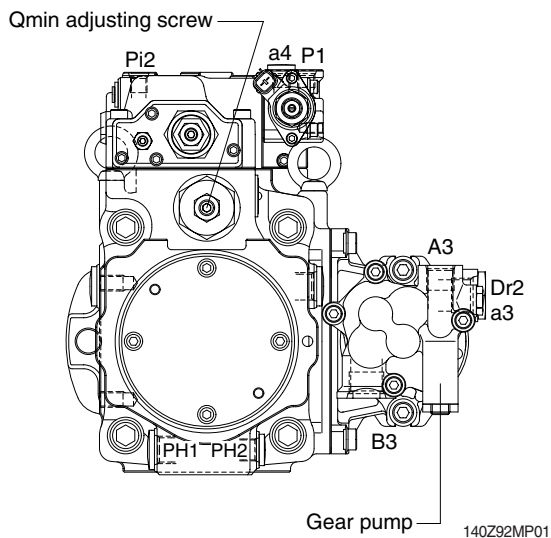
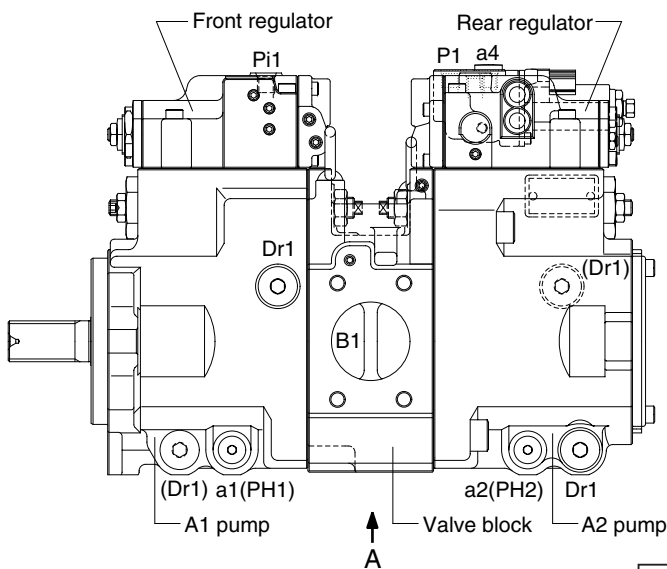
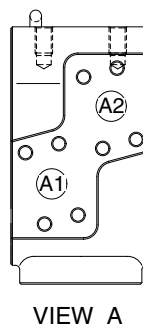
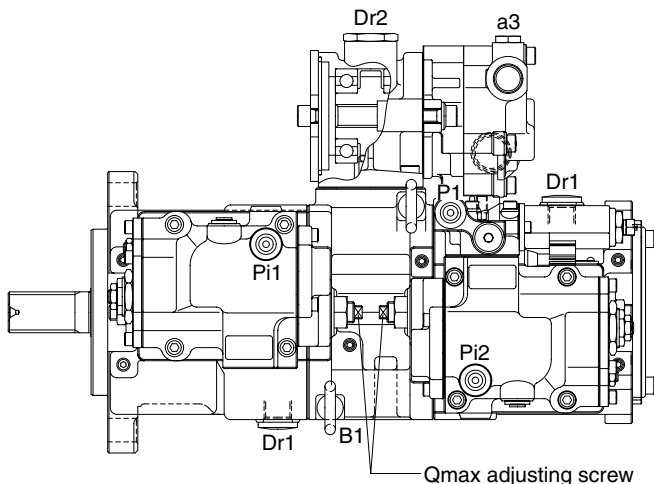
Group 1 Pump Device	2-1
Group 2 Main Control Valve	2-20
Group 3 Swing Device	2-47
Group 4 Travel Device	2-59
Group 5 RCV Lever	2-69
Group 6 RCV Pedal	2-76

SECTION 2 STRUCTURE AND FUNCTION

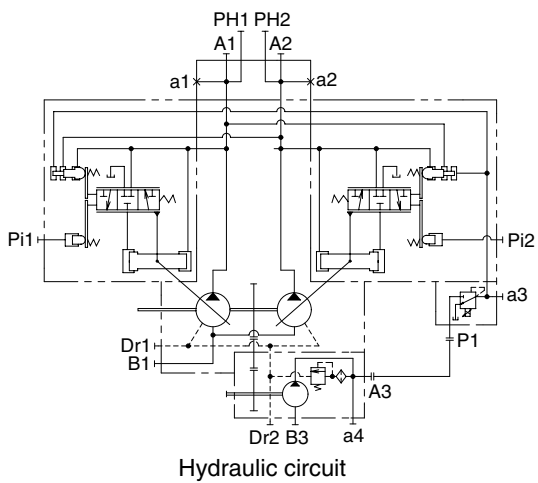
GROUP 1 PUMP DEVICE

1. STRUCTURE

The pump device consists of main pump, regulator and gear pump.



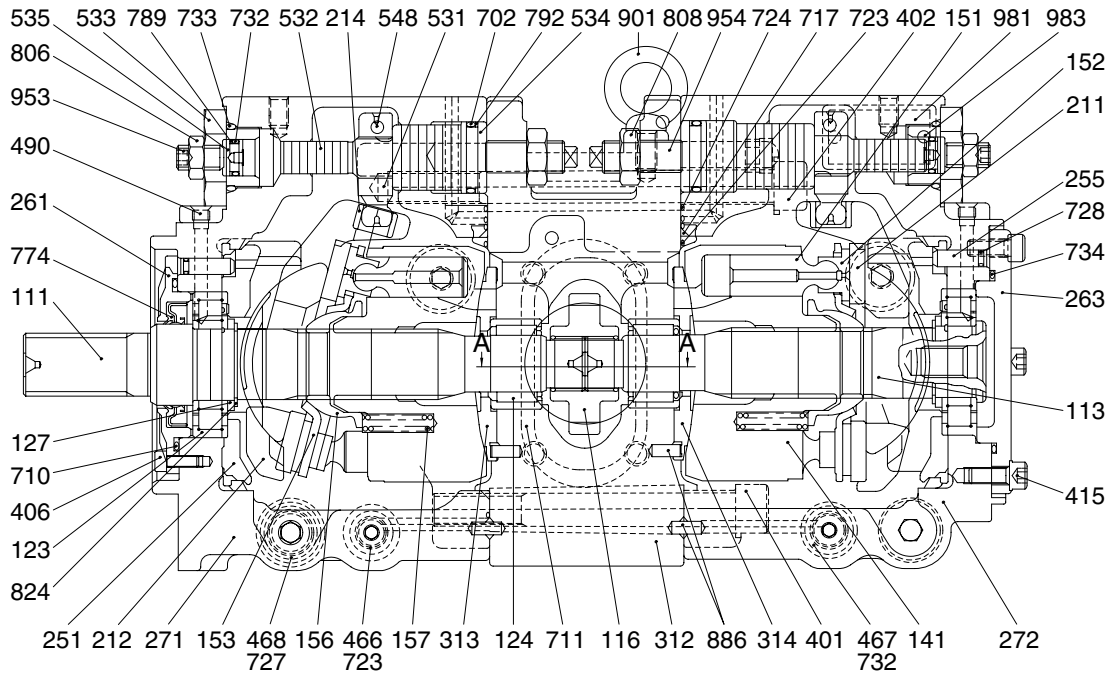
140Z92MP01



Port	Port name	Port size
A1, A2	Delivery port	SAE6000 psi 3/4"
B1	Suction port	SAE2500 psi 2 1/2"
Dr1	Drain port	PF 1/2 - 19
Dr2	Drain port	PF 3/4 - 20
Pi1, Pi2	Pilot port	PF 1/4 - 15
P1	EPPR port	PF 1/4 - 13
a1, a2	Gauge port	PF 1/4 - 15
a3	Gauge port	PF 1/4 - 14
PH1, PH2	Servo port	PF 3/8 - 17
a4	Gauge port	PF 1/4-13
A3	Gear pump delivery port	PF 1/2 - 19
B3	Gear pump suction port	PF 3/4 - 20.5

1) MAIN PUMP (1/2)

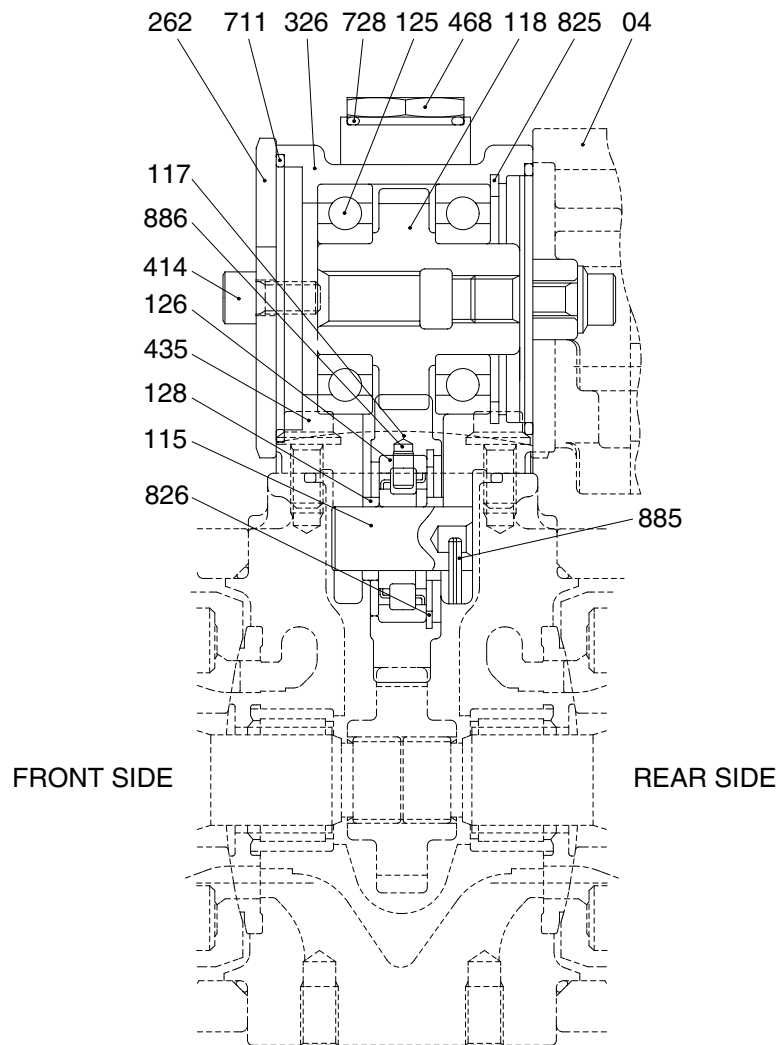
The main pump consists of two piston pumps (front & rear) and valve block.



140Z92MP02

111	Drive shaft (F)	272	Pump casing (R)	711	O-ring
113	Drive shaft (R)	312	Valve block	717	O-ring
116	1st Gear	313	Valve plate (R)	723	O-ring
123	Roller bearing	314	Valve plate (L)	724	O-ring
124	Needle bearing	401	Hexagon socket bolt	728	O-ring
127	Bearing spacer	402	Hexagon socket bolt	732	O-ring
141	Cylinder block	406	Hexagon socket bolt	733	O-ring
151	Piston	415	Hexagon socket bolt	734	O-ring
152	Shoe	466	Plug	774	Oil seal
153	Set plate	467	plug	789	Back up ring
156	Bushing	468	Plug	792	Back up ring
157	Cylinder spring	490	Plug	806	Nut
211	Shoe plate	531	Tilting pin	808	Hexagon head nut
212	Swash plate	532	Servo piston	824	Snap ring
214	Bushing	533	Plug	886	Spring pin
251	Support	534	Stopper (L)	901	Eye bolt
255	Lock pin	535	Stopper (S)	953	Set screw
261	Seal cover (F)	548	Pin	954	Set screw
263	Seal cover (R)	702	O-ring	981	Plate
271	Pump casing (F)	710	O-ring	983	Pin

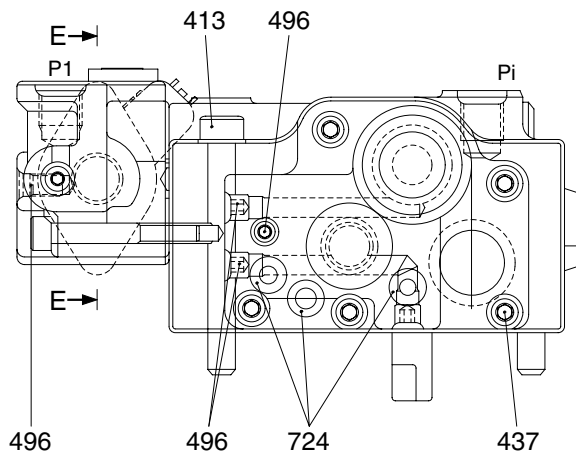
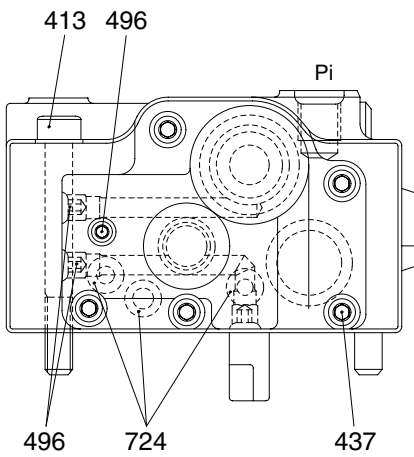
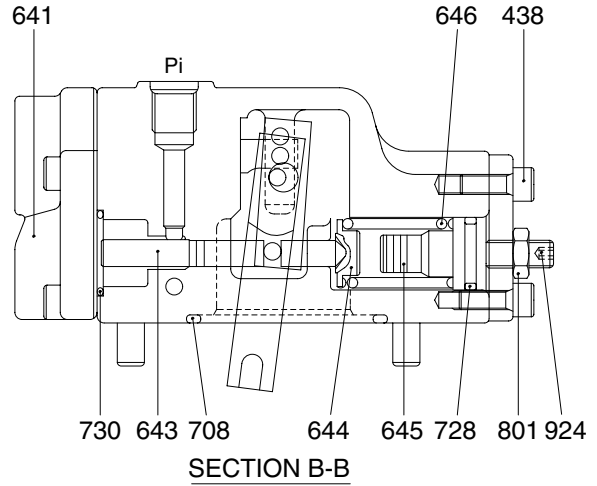
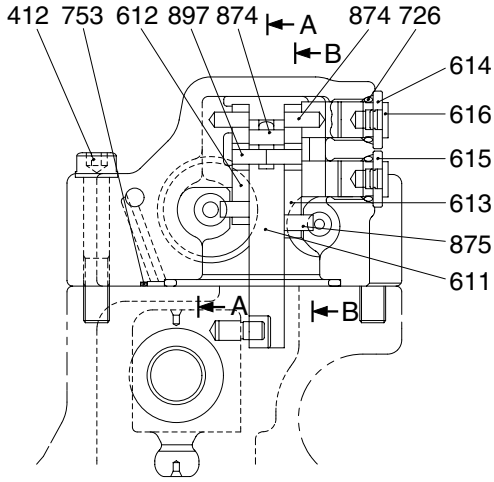
MAIN PUMP (2/2)



140Z92MP03

04	Gear pump	128	Bearing spacer	711	O-ring
115	Shaft	262	Cover	728	O-ring
117	Gear No. 2	326	Gear case	825	Retainer ring
118	Gear No. 3	414	Hexagon socket bolt	826	Retainer ring
125	Ball bearing	435	Flange socket bolt	885	Spring pin
126	Roller bearing	468	Plug	886	Pin

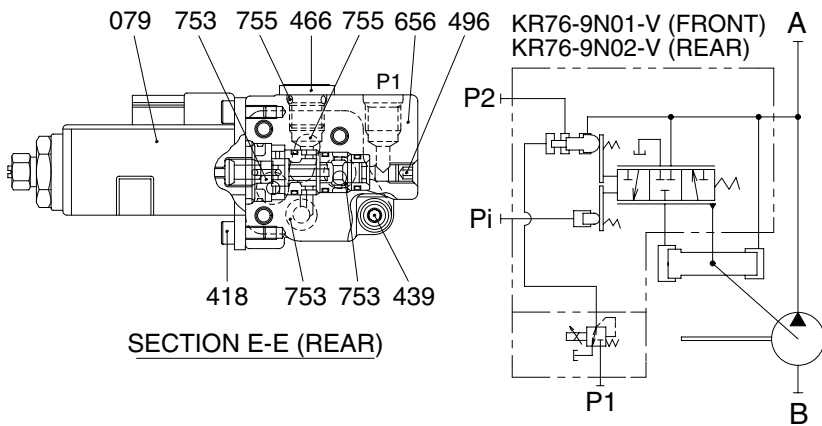
2) REGULATOR (1/2)



VIEW C (FRONT)

VIEW C (REAR)

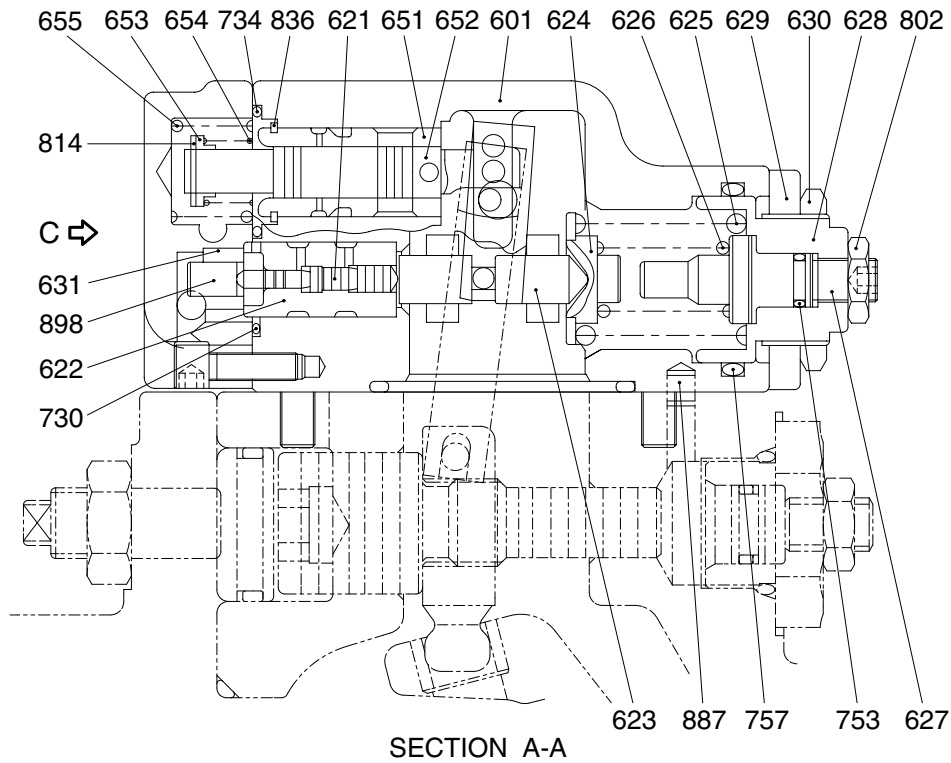
140Z92MP04



SECTION E-E (REAR)

Port	Port name	Port size
A	Delivery port	SAE6000 psi 3/4"
B	Suction port	SAE2500 psi 2 1/2"
Pi	Pilot port	PF 1/4-15
P1	EPPR valve primary port	PF 1/4-13
P2	Companion delivery port	internal

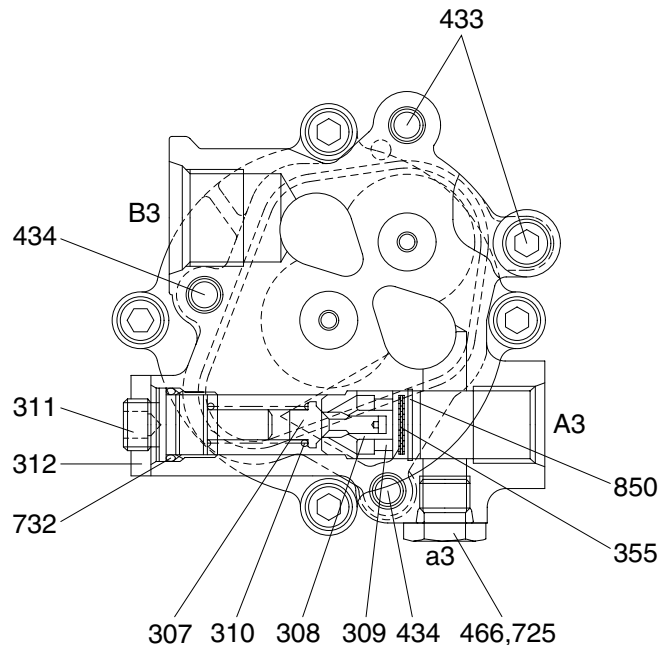
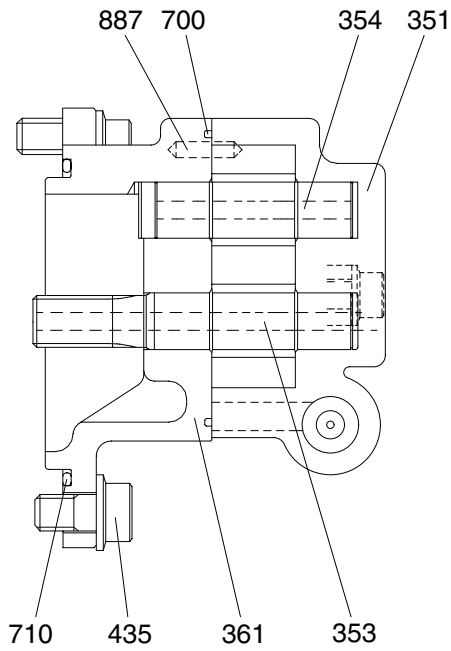
REGULATOR (2/2)



140Z92MP05

079	EPPR valve assembly	624	Spring seat (C)	708	O-ring
412	Hexagon socket screw	625	Outer spring	724	O-ring
413	Hexagon socket screw	626	Inner spring	725	O-ring
418	Hexagon socket screw	627	Adjust stem (C)	728	O-ring
437	Hexagon socket screw	628	Adjust screw (C)	730	O-ring
438	Hexagon socket screw	629	Cover (C)	734	O-ring
439	Hexagon socket screw	630	Lock nut	753	O-ring
466	Plug	631	Sleeve, Pf	755	O-ring
496	Plug	641	Pilot cover	757	O-ring
601	Casing	643	Pilot piston	801	Nut
611	Feed back lever	644	Spring seat (Q)	802	Nut
612	Lever (1)	645	Adjust stem (Q)	814	Snap ring
613	Lever (2)	646	Pilot spring	836	Snap ring
614	Center plug	651	Sleeve	874	Pin
615	Adjust plug	652	Spool	875	Pin
616	Plug	653	Spring seat	887	Pin
621	Compensator piston	654	Return spring	897	Pin
622	Piston case	655	Set spring	898	Pin
623	Compensator rod	656	Block cover	924	Set screw

3) GEAR PUMP



14092MP06

- 307 Poppet
- 308 Seat
- 309 Ring
- 310 Spring
- 311 Screw
- 312 Nut
- 351 Gear case

- 353 Drive gear
- 354 Driven gear
- 355 Filter
- 361 Front case
- 433 Flange socket
- 434 Flange socket
- 435 Flange socket

- 466 Plug
- 700 Ring
- 710 O-ring
- 725 O-ring
- 732 O-ring
- 850 Snap ring
- 887 Pin

2. FUNCTION

1) MAIN PUMP

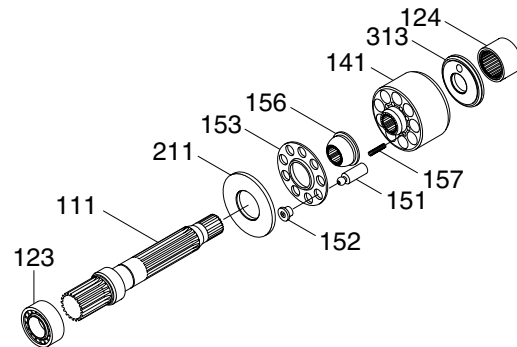
The pumps may be classified roughly into the rotary group performing a rotary motion and working as the major part of the whole pump function: the swash plate group that varies the delivery rates: and the valve cover group that changes over oil suction and discharge : and the PTO group that transfers drive shaft of gear pump.

(1) Rotary group

The rotary group consists of drive shaft (F) (111), cylinder block (141), piston shoes (151,152), set plate (153), spherical bushing (156) and cylinder spring (157). The drive shaft is supported by bearing (123,124) at its both ends.

The shoe is caulked to the piston to form a spherical coupling. It has a pocket to relieve thrust force generated by loading pressure and to take hydraulic balance so that it slides lightly over the shoe plate (211). The sub group composed by a piston and a shoe is pressed against the shoe plate by the action of the cylinder spring via the set plate and a spherical bushing.

Similarly, the cylinder block is pressed against valve plate (313) by the action of the cylinder spring.



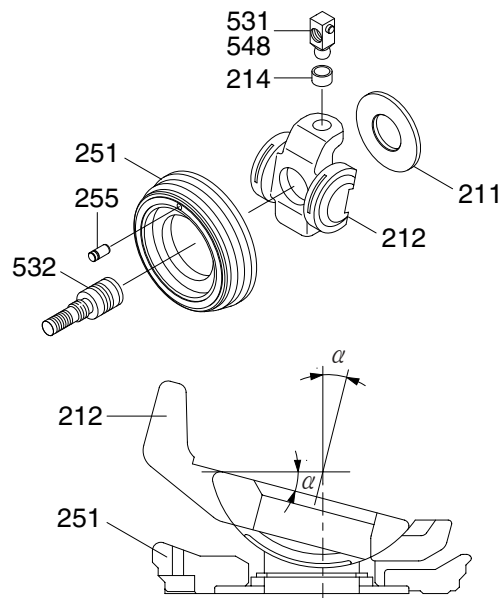
21092MP06

(2) Swash plate group

The swash plate group consists of swash plate (212), shoe plate (211), swash plate support (251), lock pin (255), tilting bushing (214), tilting pin (531) and servo piston (532).

The swash plate is a cylindrical part formed on the opposite side of the sliding surface of the shoe and is supported by the swash support.

If the servo piston moves to the right or left as hydraulic force controlled by the regulator connects to hydraulic chamber located on both sides of the servo piston, the swash plate slides over the swash plate support via the spherical part of the tilting pin to change the tilting angle (α)



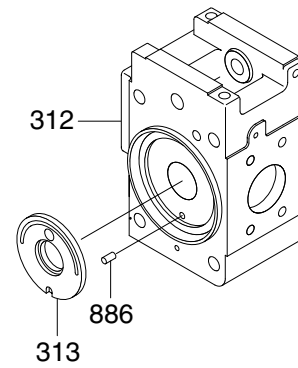
140Z92MP09

(3) Valve block group

The valve block group consists of valve block (312), valve plate (313, 314) and spring pin(886).

The valve plate having two kidney ports is fixed to the valve block and feeds and collects oil to and from the cylinder block.

The oil changed over by the valve plate is connected to an external pipeline by way of the valve block.



140Z92MP07

(4) PTO group

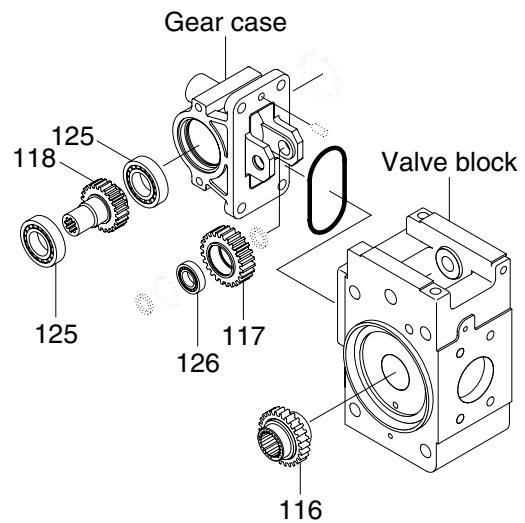
PTO group consist of 1st gear (116) and 2nd gear (117), 3rd gear (118).

2nd gear and 3rd gear are supported by bearings (125, 126), and it can be mounted to the valve block.

Now, if the drive shaft is driven by a prime mover (electric motor, engine, etc), it rotates the cylinder block via a spline linkage at the same time. If the swash plate is tilted as in Fig (previous page) the pistons arranged in the cylinder block make a reciprocating motion with respect to the cylinder block, while they revolve with the cylinder block.

If you pay attention to a single piston, it performs a motion away from the valve plate (oil sucking process) within 180 degrees, and makes a motion towards the valve plate (oil discharging process) in the rest of 180 degrees. When the swash plate has a tilting angle of zero, the piston makes no stroke and discharges no oil.

Concurrently, the auxiliary pump is driven by gears of PTO.



140Z92MP08

2) REGULATOR

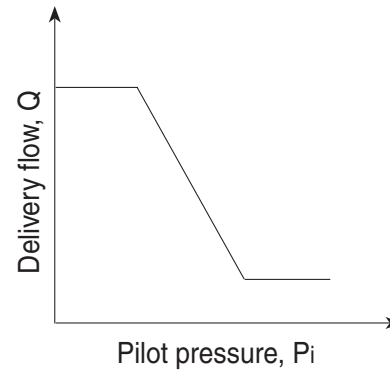
Regulator consists of the negative flow control, total horse power control and power shift control function.

(1) Negative flow control

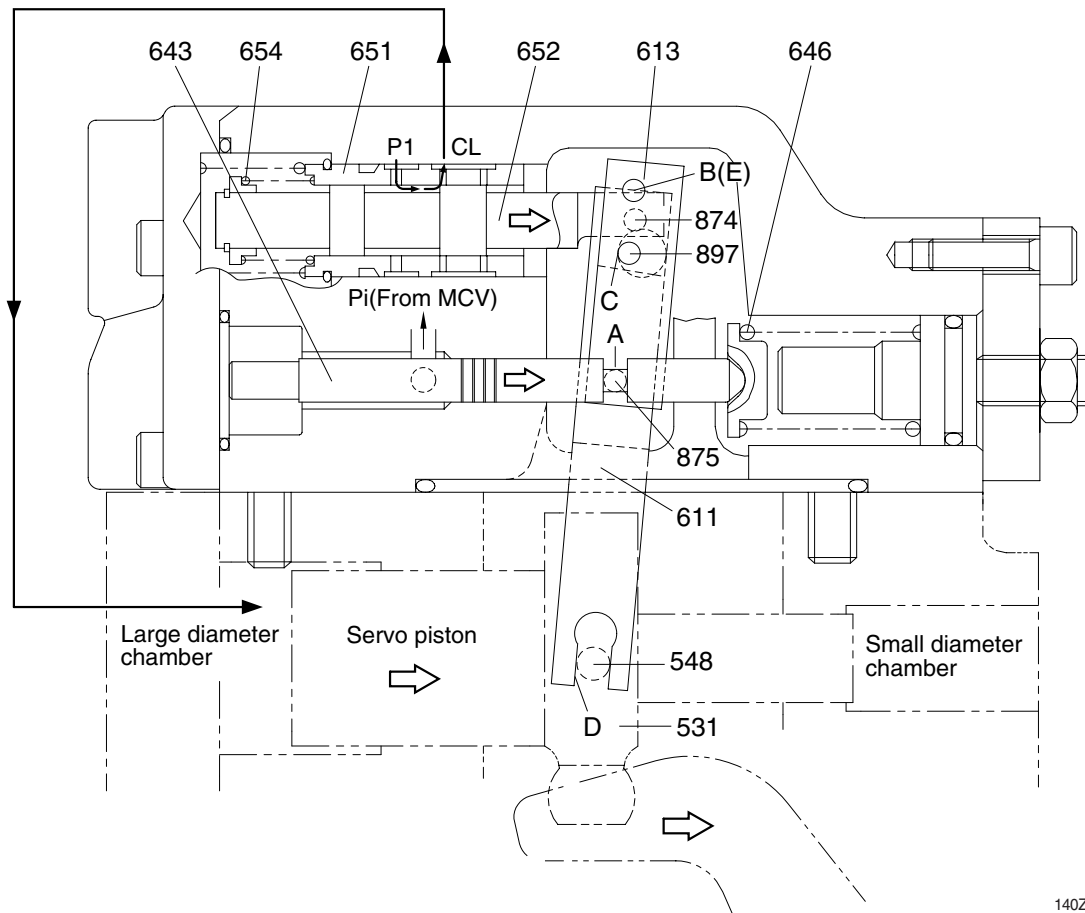
By changing the pilot pressure P_i , the pump tilting angle (delivery flow) is regulated arbitrarily, as shown in the figure.

This regulator is of the negative flow control in which the delivery flow Q decreases as the pilot pressure P_i rises.

With this mechanism, when the pilot pressure corresponding to the flow required for the work is commanded, the pump discharges the required flow only, and so it does not consume the power uselessly.



① Flow reducing function



140Z92MP12

As the pilot pressure P_i rises, the pilot piston (643) moves to the right to a position where the force of the pilot spring (646) balances with the hydraulic force.

The groove (A) in the pilot piston is fitted with the pin (875) that is fixed to lever 2 (613). Therefore, when the pilot piston moves, lever 2 rotates around the fulcrum of point B [fixed by the fulcrum plug (614) and pin (875)]. Since the large hole section (C) of lever 2 contains a protruding pin (897) fixed to the feedback lever (611), the pin (897) moves to the right as lever 2 rotates. Since the opposing-flat section (D) of the feedback lever is fitted with the pin (548) fixed by the tilting pin (531) that swings the swash plate, the feedback lever rotates around the fulcrum of point D, as the pin (897) moves.

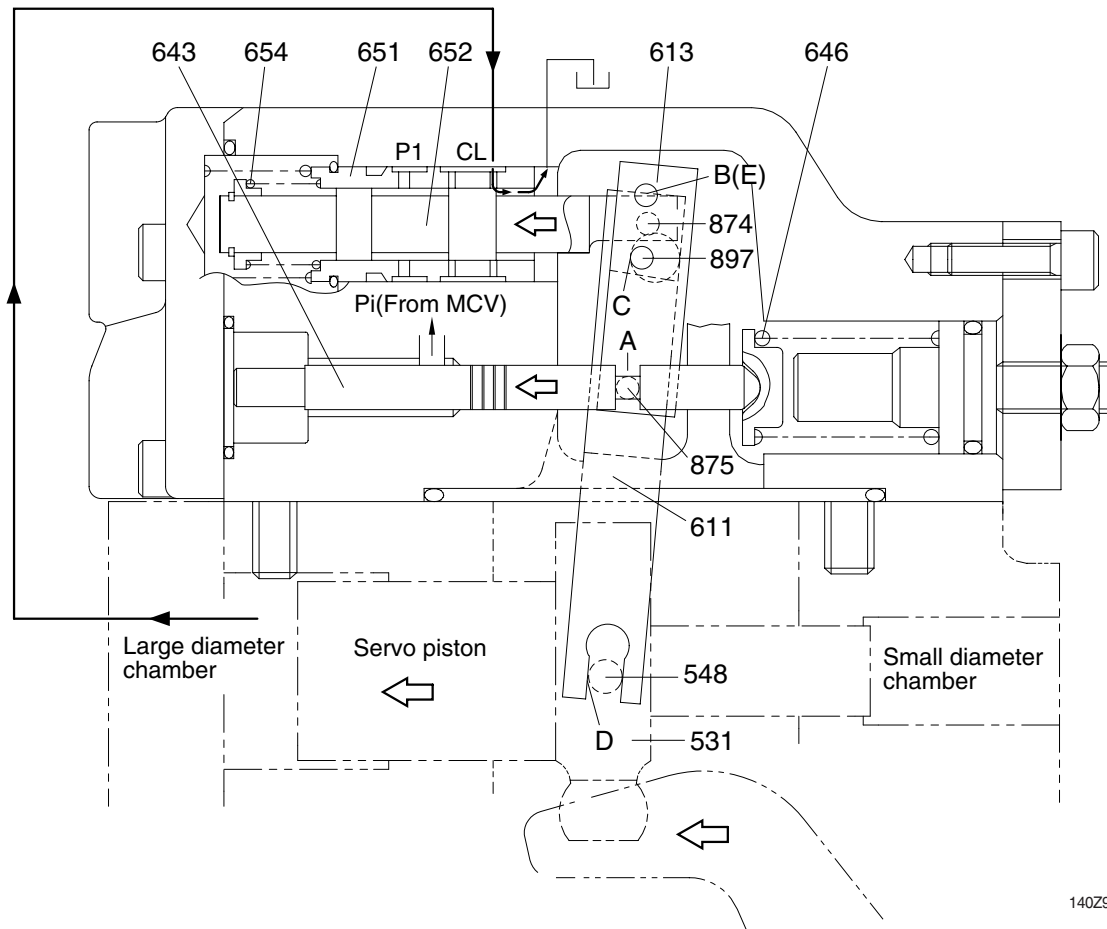
Since the feedback lever is connected with the spool (652) via the pin (874), the spool moves to the right.

The movement of the spool causes the delivery pressure P_1 to connect to port CL through the spool and to be admitted to the large diameter section of the servo piston. The delivery pressure P_1 that is constantly admitted to the small diameter section of the servo piston moves the servo piston to the right due to the area difference, resulting in decrease of the tilting angle.

When the servo piston moves to the right, point D also moves to the right. The spool is fitted with the return spring (654) and is tensioned to the left at all times, and so the pin (897) is pressed against the large hole section (C) of lever 2.

Therefore, as point D moves, the feedback lever rotates around the fulcrum of point C, and the spool is shifted to the left. This causes the opening between the sleeve (651) and spool (652) to close slowly, and the servo piston comes to a complete stop when it closes completely.

② Flow increasing function



140Z92MP13

As the pilot pressure P_i decreases, the pilot piston (643) moves to the left by the action of the pilot spring (646) and causes lever 2 (613) to rotate around the fulcrum of point B. Since the pin (897) is pressed against the large hole section (C) of lever 2 by the action of the return spring (654) via the spool (652), pin (874), and feedback lever (611), the feedback lever rotates around the fulcrum of point D as lever 2 rotates, and shifts the spool to the left. Port CL opens a way to the tank port as the spool moves. This deprives the large diameter section of the servo piston of pressure, and shifts the servo piston to the left by the discharge pressure P_1 in the small diameter section, resulting in an increase in the flow rate.

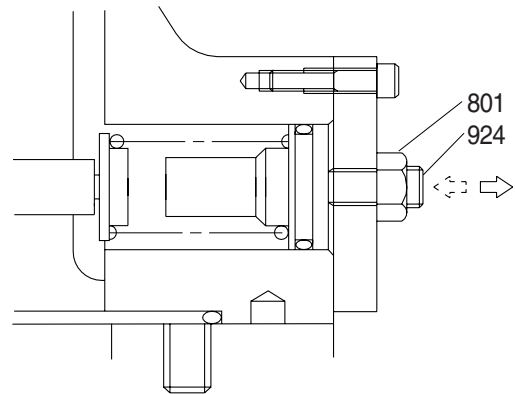
As the servo piston moves, point D also moves to the left, the feedback lever rotates around the fulcrum of point C, and the spool moves to the right till the opening between the spool and sleeve is closed.

③ Adjustment of flow control characteristic

The flow control characteristic can be adjusted with the adjusting screw.

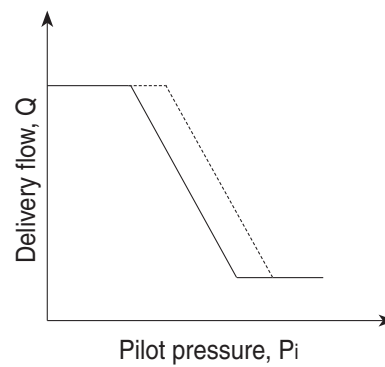
Adjust it by loosening the hexagon nut (801) and by tightening (or loosening) the hexagonal socket head screw (924).

Tightening the screw shifts the control chart to the right as shown in the figure.



※ Adjusting value

Speed	Adjustment of flow control characteristic		
	Tightening amount of adjusting screw (924)	Flow control starting pressure change amount	Flow change amount
(min ⁻¹)	(Turn)	(kgf/cm ²)	(l /min)
1900	+1/4	+1.6	+9



(2) Total horsepower control

The regulator decreases the pump tilting angle (delivery flow) automatically to limit the input torque within a certain value with a rise in the delivery pressure P_1 of the self pump and the delivery pressure P_2 of the companion pump.

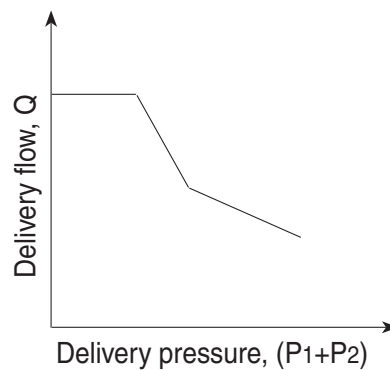
(The input horsepower is constant when the speed is constant.)

Since the regulator is of the simultaneous total horsepower type that operates by the sum of load pressures of the two pumps in the tandem double-pump system, the prime mover is automatically prevented from being overloaded, irrespective of the load condition of the two pumps, when horsepower control is under way.

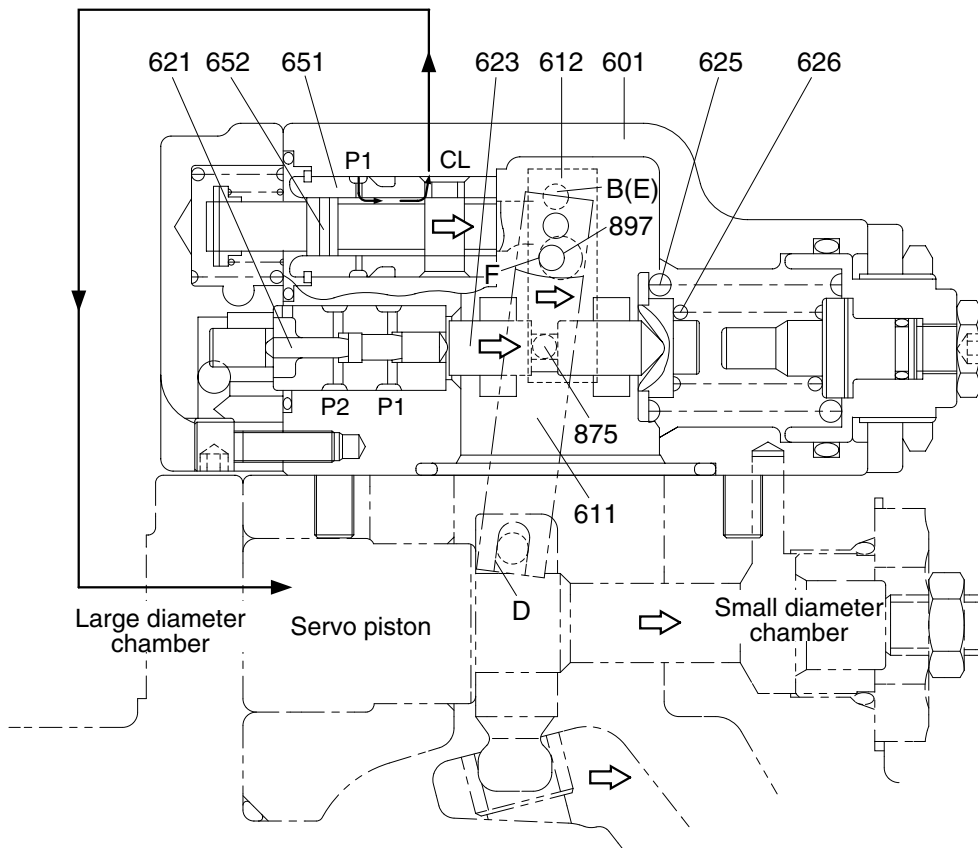
Since this regulator is of the simultaneous total horsepower type, it controls the tilting angles (displacement volumes) of the two pumps to the same value as represented by the following equation :

$$\begin{aligned} T_{in} &= P_1 \times q/2\pi + P_2 \times q/2\pi \\ &= (P_1+P_2) \times q/2\pi \end{aligned}$$

The horsepower control function is the same as the flow control function and is summarized in the following. (For detailed behaviors of respective parts, refer to the section of flow control).



① Overload preventive function



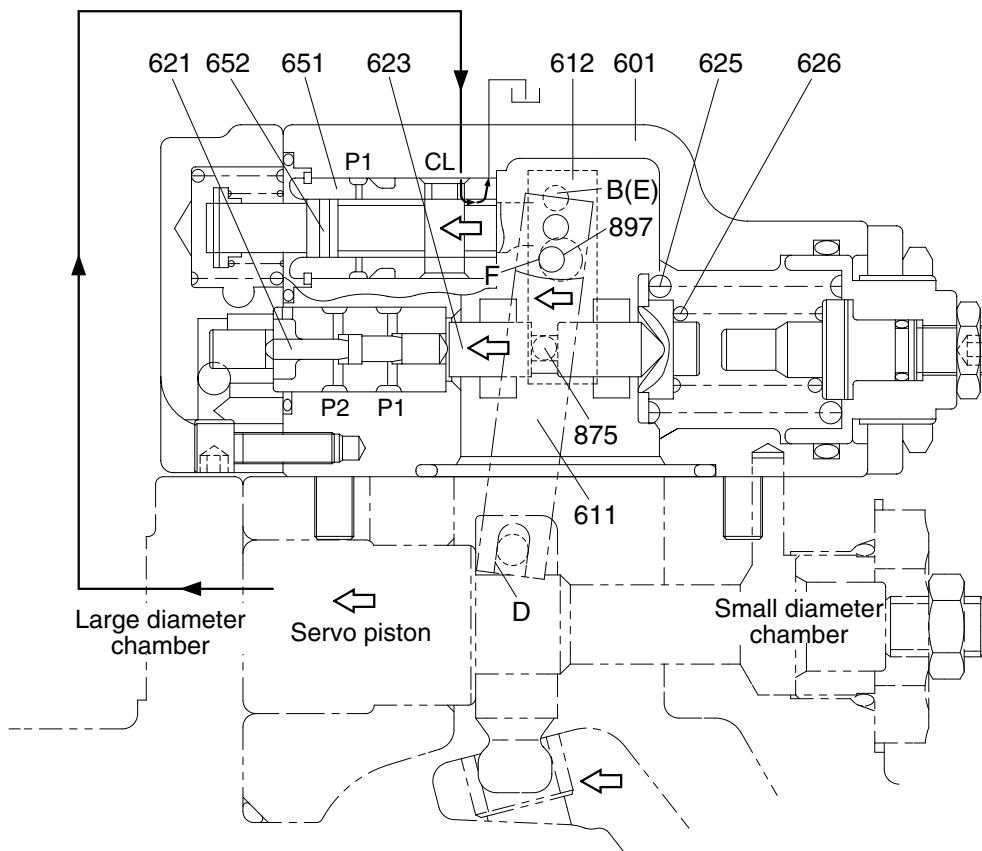
140Z92RG03

When the self pump delivery pressure P1 or the companion pump delivery pressure P2 rises, it acts on the stepped part of the compensating piston (621). It presses the compensating rod (623) to the right till the force of the outer spring (625) and inner spring (626) balances with the hydraulic force. The movement of the compensating rod is transmitted to lever 1 (612) via pin (875).

Lever 1 rotates around the pin (875) (E) fixed to the casing (601).

Since the large hole section (F) of lever 1 contains a protruding pin (897) fixed to the feedback lever (611), the feedback lever rotates around the fulcrum of point D as lever 1 rotates, and then the spool (652) is shifted to the right. As the spool moves, the delivery pressure P1 is admitted to the large diameter section of the servo piston via port CL, causes the servo piston move to the right, reduces the pump delivery, flow rate, and prevents the prime mover from being overloaded. The movement of the servo piston is transmitted to the feedback lever via point D. Then the feedback lever rotates around the fulcrum of point F and the spool is shifted to the left. The spool moves till the opening between the spool (652) and sleeve (651) is closed.

② Flow reset function



140Z92RG04

As the self pump delivery pressure P1 or the companion pump delivery pressure P2 decreases, the compensating rod (623) is pushed back by the action of the springs (625 & 626) to rotate lever 1 (612) around point E. Rotating of lever 1 causes the feedback lever (611) to rotate around the fulcrum of point D and then the spool (652) to move to the left. As a result, port CL opens a way to the tank port.

This causes the servo piston to move to the left and the pump's delivery rate to increase.

The movement of the servo piston is transmitted to the spool by the action of the feedback mechanism to move it till the opening between the spool and sleeve is closed.

③ **Low tilting angle (low flow) command preferential function**

As mentioned above, flow control and horsepower control tilting angle commands are transmitted to the feedback lever and spool via the large-hole sections (C & F) of levers 1 and 2. However, since sections C and F have the pins ($\varnothing 4$) protruding from the large hole ($\varnothing 8$), only the lever lessening the tilting angle contacts the pin (897); the hole ($\varnothing 8$) in the lever of a larger tilting angle command is freed without contacting the pin (897). Such a mechanical selection method permits preference of the lower tilting angle command of the flow control and horsepower control.

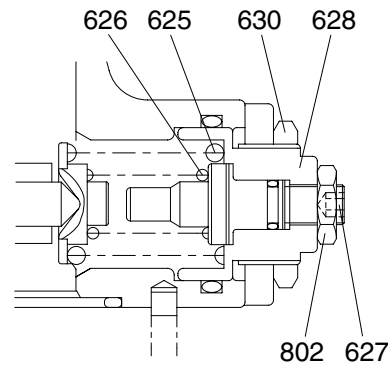
④ **Adjustment of input horsepower**

Since the regulator is of total cumulative horsepower type, adjust the adjusting screws of both the front and rear pumps, when changing the horsepower set values. The pressure change values by adjustment are based on two pumps pressurized at the same time, and the values will be doubled when only one pump is loaded.

a. **Adjustment of outer spring**

Adjust it by loosening the hexagon nut (630) and by tightening (or loosening) the adjusting screw C (628).

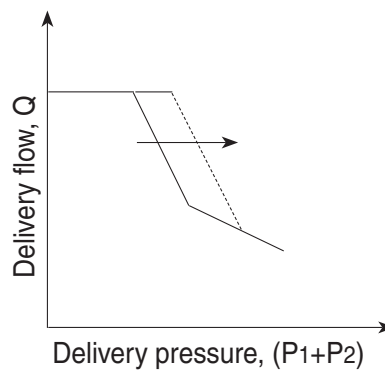
Tightening the screw shifts the control chart to the right and increases the input horsepower as shown in the figure. Since turning the adjusting screw C (628) by N turns changes the setting of the inner spring (626), return the adjusting stem C (627) by $N \times A$ turns at first. ($A=1.73$)



※ **Adjusting value**

140Z92RG07

Speed (min ⁻¹)	Adjustment of input horsepower		
	Tightening amount of adjusting screw (C) (628) (Turn)	Compensating control starting pressure change amount (kgf/cm ²)	Input torque change amount (kgf · m)
1900	+1/4	+19.2	+3.4



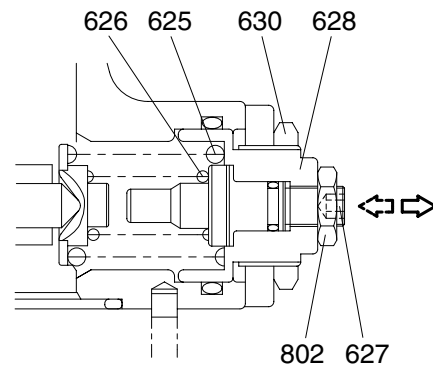
b. Adjustment of inner spring

Adjust it by loosening the hexagon nut (802) and by tightening (or loosening) the adjusting stem C (627).

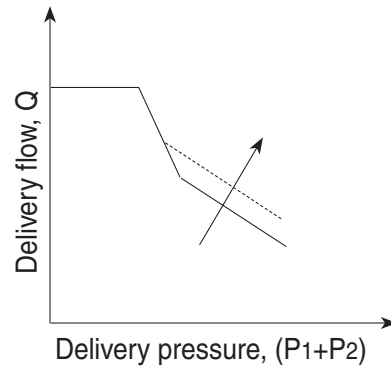
Tightening the screw increases the flow and then the input horsepower as shown in the figure.

※ **Adjusting value**

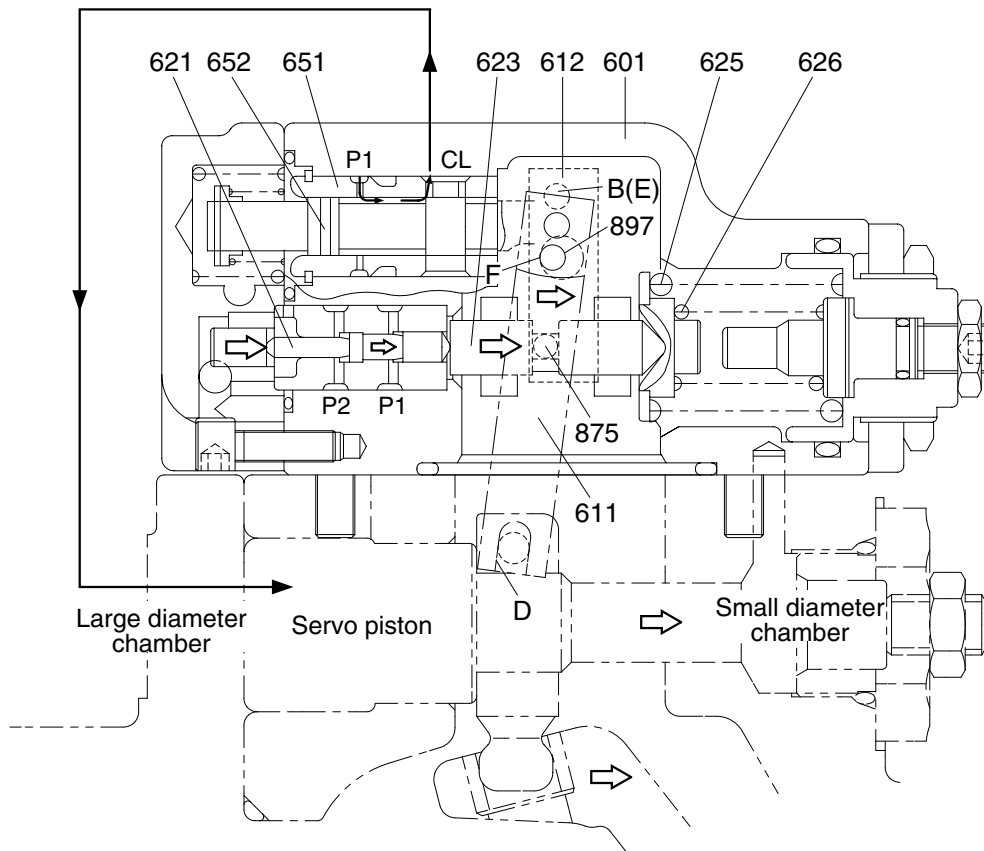
Speed (min ⁻¹)	Adjustment of input horsepower		
	Tightening amount of adjusting stem (C) (627) (Turn)	Flow change amount (l /min)	Input torque change amount (kgf · m)
1900	+1/4	+8.6	+4.3



140Z92RG08



(3) Power shift control



140Z92RG05

The set horsepower valve is shifted by varying the command current level of the proportional pressure reducing valve attached to the pump.

Only one proportional pressure reducing valve is provided.

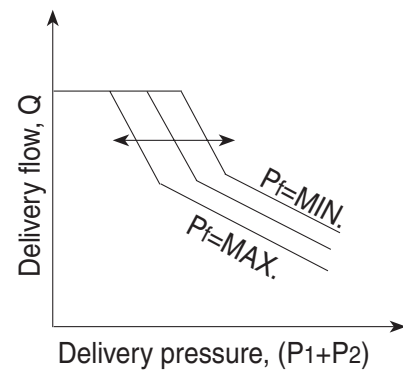
However, the secondary pressure P_f (power shift pressure) is admitted to the horsepower control section of each pump regulator through the pump's internal path to shift it to the same set horsepower level.

This function permits arbitrary setting of the pump output power, thereby providing the optimum power level according to the operating condition.

The power shift pressure P_f controls the set horsepower of the pump to a desired level, as shown in the figure.

As the power shift pressure P_f rises, the compensating rod (623) moves to the right via the pin (898) and compensating piston (621).

This decreases the pump tilting angle and then the set horsepower in the same way as explained in the overload preventive function of the horsepower control. On the contrary, the set horsepower rises as the power shift pressure P_f falls.



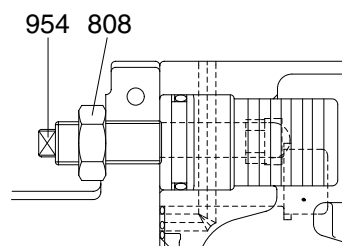
(4) Adjustment of maximum and minimum flows

① Adjustment of maximum flow

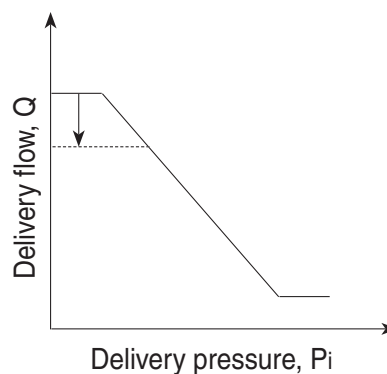
Adjust it by loosening the hexagon nut (808) and by tightening (or loosening) the set screw (954).

The maximum flow only is adjusted without changing other control characteristics.

Speed (min ⁻¹)	Adjustment of max flow	
	Tightening amount of adjusting screw (954) (Turn)	Flow change amount (l/min)
1900	+1/4	-3.0



140Z92MP23

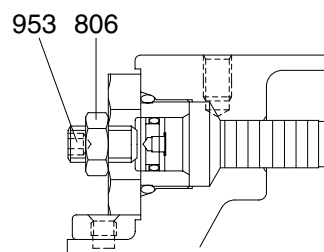


② Adjustment of minimum flow

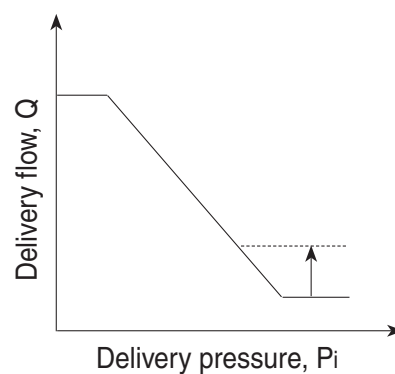
Adjust it by loosening the hexagon nut (806) and by tightening (or loosening) the hexagonal socket head set screw (953). Similarly to the adjustment of the maximum flow, other characteristics are not changed.

However, remember that, if tightened too much, the required horsepower during the maximum delivery pressure (or during relieving) may increase.

Speed (min ⁻¹)	Adjustment of min flow	
	Tightening amount of adjusting screw (953) (Turn)	Flow change amount (l/min)
1900	+1/4	+3.0

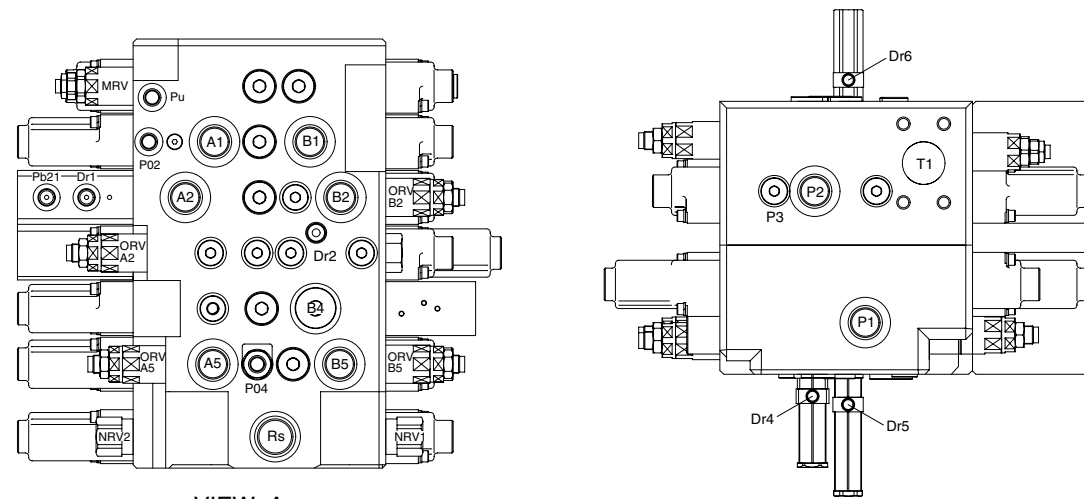


140Z92MP24

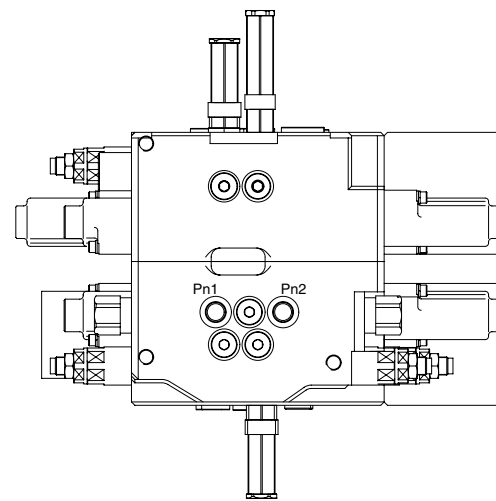
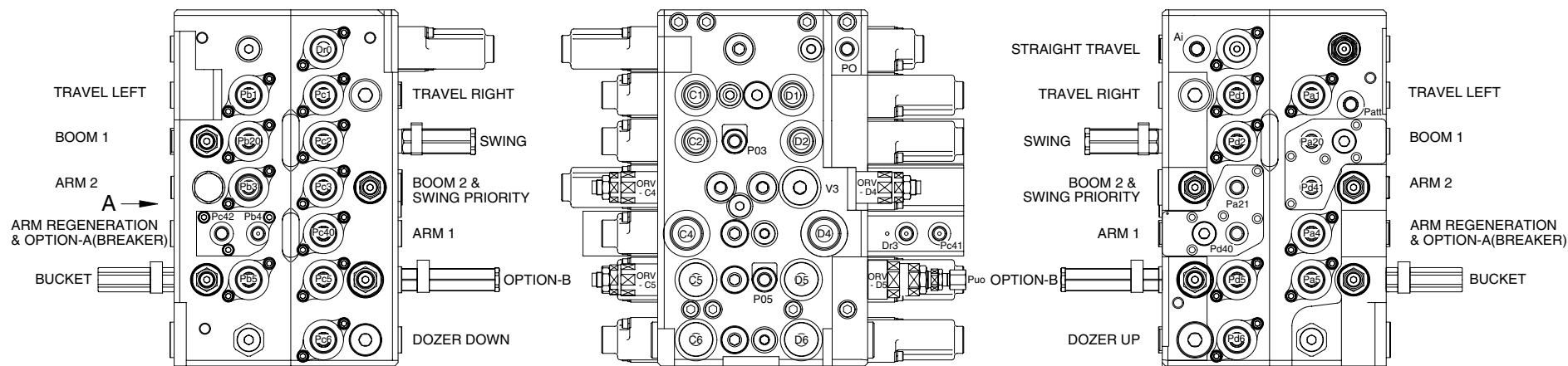


GROUP 2 MAIN CONTROL VALVE

1. STRUCTURE

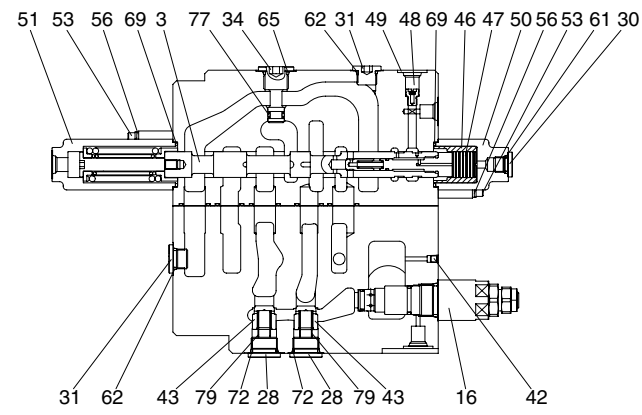


VIEW A

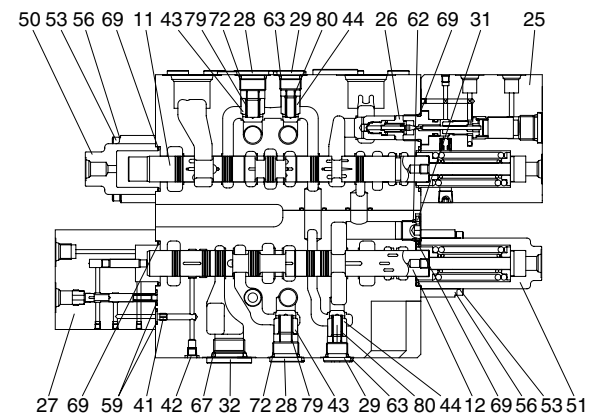


Mark	Port name	Port size	Tightening torque		
Rs	Make up for swing motor	UNF 1 3/16	18 kgf · m (130 lbf · ft)		
Pa1	Travel left pilot port (BW)	PF 1/4	3.5~3.9 kgf · m (25.3~28.2 lbf · ft)		
Pb1	Travel left pilot port (FW)				
Pc1	Travel right pilot port (FW)				
Pd1	Travel right pilot port (BW)				
Pa20	Boom up pilot port				
Pa21	Boom up confluence pilot port				
Pb20	Boom down pilot port				
Pb21	Lock valve pilot port (boom)				
Pc2	Swing pilot port (RH)				
Pd2	Swing pilot port (LH)				
Pb3	Arm in confluence pilot port				
Pc3	Swing priority pilot port				
Pa4	Option A pilot port (breaker)				
Pb4	Arm in regeneration cut port				
Pc40	Arm in pilot port				
Pc41	Lock valve pilot port (arm)				
Pc42	Arm in regen-cut signal selector port				
Pd40	Arm out pilot port				
Pd41	Arm out confluence pilot port				
Pa5	Bucket in pilot port				
Pb5	Bucket out pilot port				
Pc5	Option B pilot port				
Pd5	Option B pilot port				
Pc6	Option C pilot port (dozer blade down)				
Pd6	Option C pilot port (dozer blade up)				
P0	Pilot pressure port				
Pu	Main relief pressure up pilot port				
Ai	Auto idle signal port				
Patt	Auto idle signal-attachment				
P02	Pilot signal port				
P03	Boom priority pilot port				
P04	Boom parallel orifice pilot port				
P05	Breaker summation pilot port				
P3	Quick clamp port				
Puo	Pilot pressure port				
Dr0	Drain port (travel straight)			PF 3/8	7~8 kgf · m (50.6~57.8 lbf · ft)
Dr1	Drain port (boom holding valve)				
Dr2	Drain port (boom 2 & swing priority)			PF 3/4	15~18 kgf · m (109~130 lbf · ft)
Dr3	Drain port (arm holding valve)				
Pn1	Negative control signal port (P1 port side)				
Pn2	Negative control signal port (P2 port side)				
A1	Travel motor left side port (BW)				
B1	Travel motor left side port (FW)				
C1	Travel motor right side port (FW)				
D1	Travel motor right side port (BW)				
B2	Boom rod side port				
C2	Swing motor port (RH)				
D2	Swing motor port (LH)				
B4	Option A port (breaker)				
A5	Bucket head side port				
B5	Bucket rod side port				
C5	Option B port				
D5	Option B port				
C6	Option C pilot port (dozer down port)				
D6	Option C pilot port (dozer up port)				
P1	Pump port (P1 side)	PF 1	20~25 kgf · m (115~180 lbf · ft)		
P2	Pump port (P2 side)				
A2	Boom head side port				
C4	Arm head side port	PF 1/8	1.5~1.9 kgf · m (10.8~13.7 lbf · ft)		
D4	Arm rod side port				
Dr4	Drain port (swing logic valve)				
Dr5	Drain port (flow summation)	PF 1/8	1.5~1.9 kgf · m (10.8~13.7 lbf · ft)		
Dr6	Drain port (bucket load check)				
T1	Return port	SAE3000, 1 1/2 (M12 × 1.75)	8.5~11.5 kgf · m (61.5~83.1 lbf · ft)		

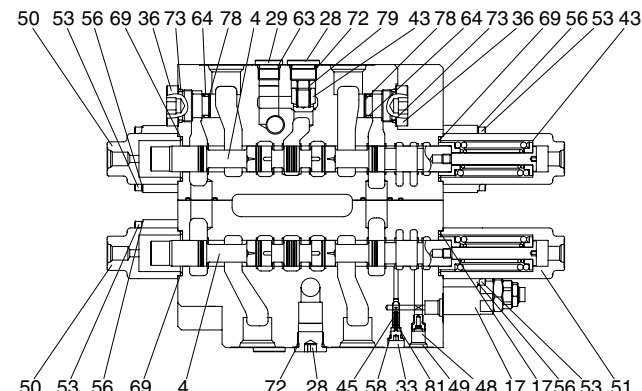
14092MC01



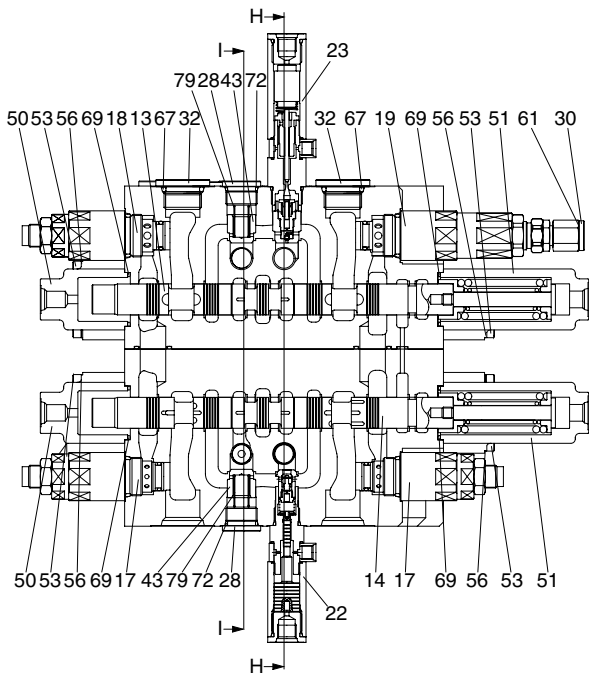
A-A (STRAIGHT TRAVEL & SUPPLY)



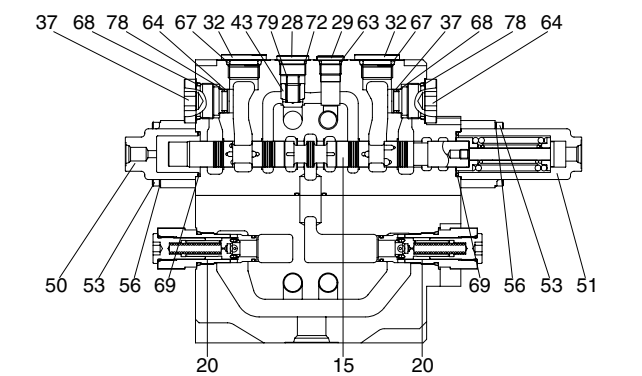
E-E (ARM 1 & ARM REGENERATION /BREAKER)



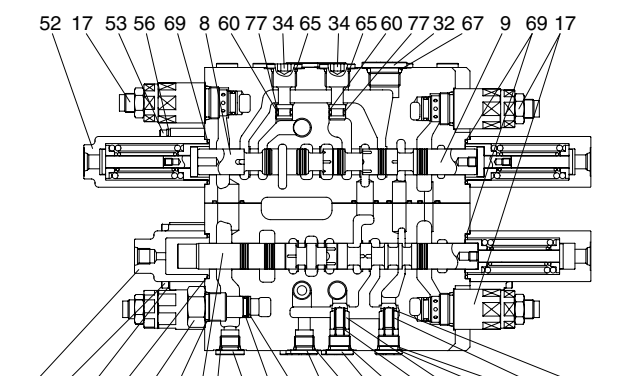
B-B (TRAVEL RIGHT & LEFT)



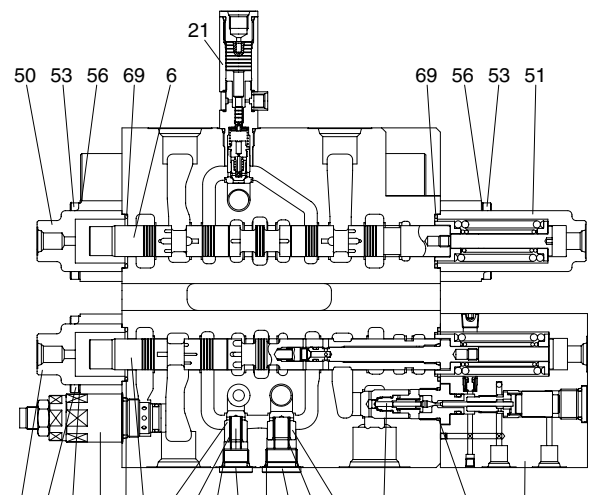
F-F (OPTION-B & BUCKET)



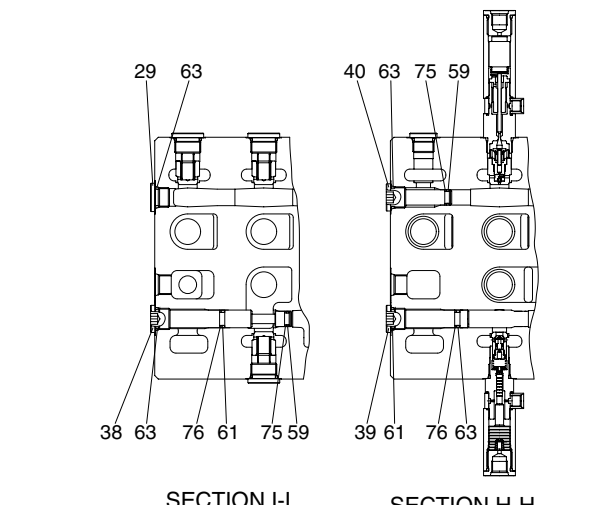
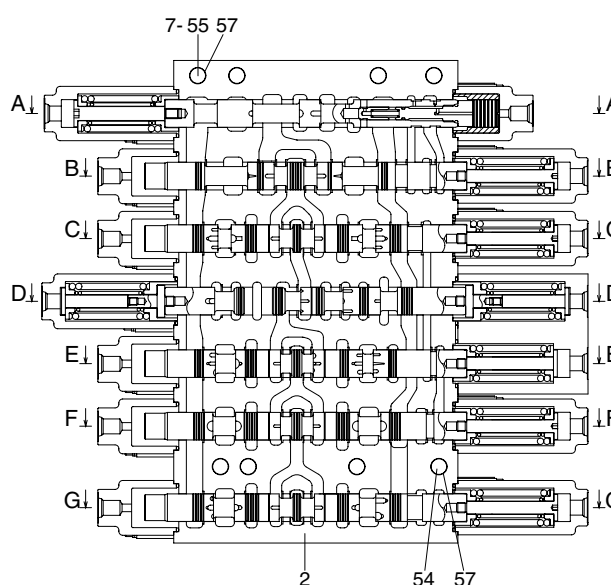
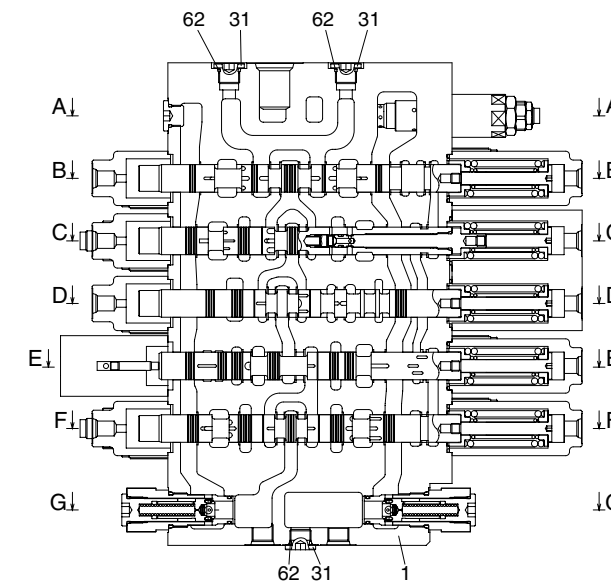
G-G (OPTION-C & NEGATIVE CONTROL)



D-D (SWING PRIORITY & BOOM 2 & ARM 2)



C-C (SWING & BOOM 1)



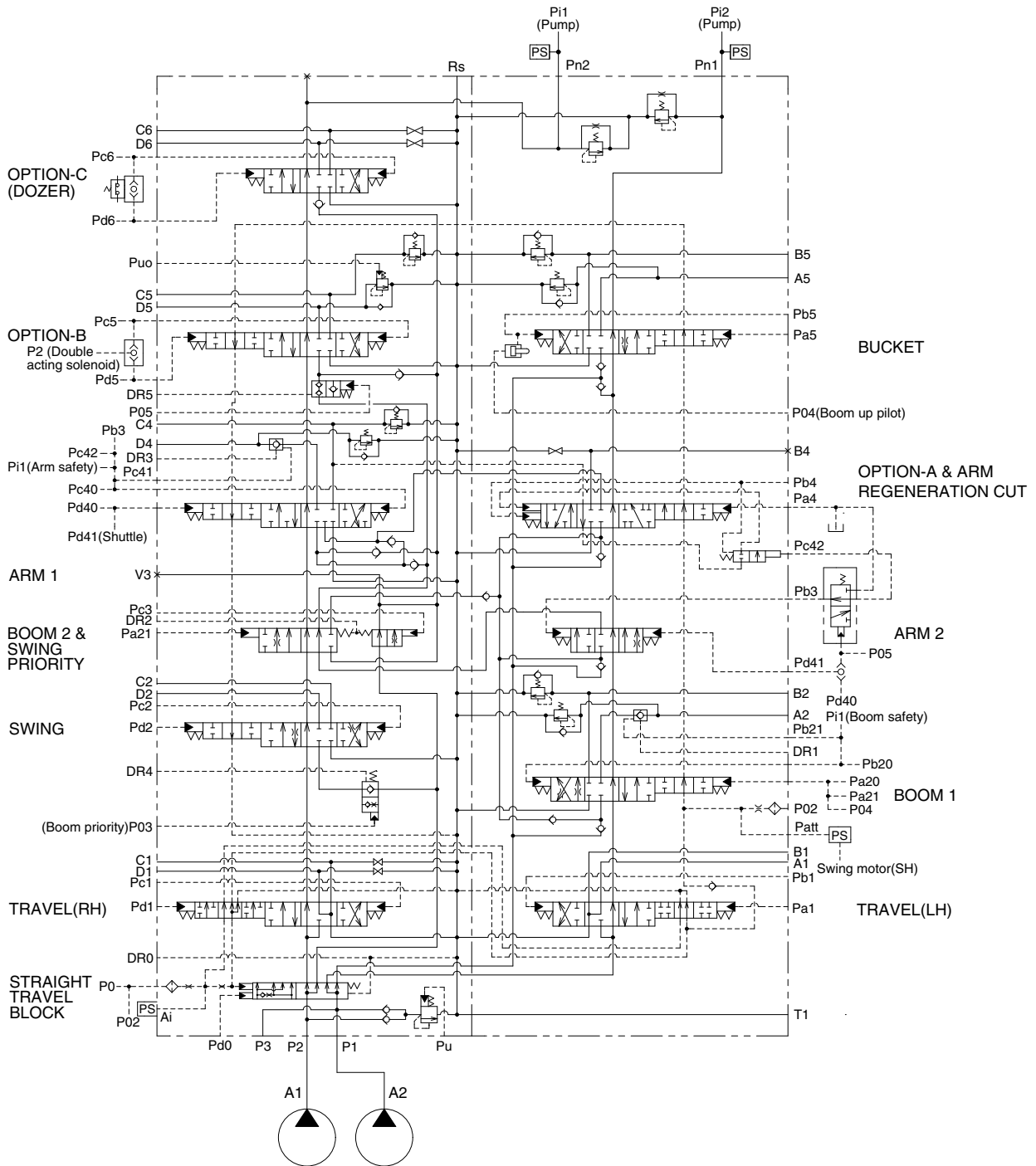
SECTION I-I

SECTION H-H

- | | |
|---------------------------|---------------------------|
| 1 Housing-P1 | 43 Load check-poppet |
| 2 Housing-P2 | 44 Load check-poppet |
| 3 Spool-straight travel | 45 Signal-poppet |
| 4 Spool-travel (LH, RH) | 46 Travel straight-sleeve |
| 6 Spool-swing | 47 Travel straight-piston |
| 7 Spool-boom 1 | 48 Orifice signal |
| 8 Spool-swing priority | 49 Coin type filter |
| 9 Spool-boom 2 | 50 Pilot cap |
| 10 Spool-arm 2 | 51 Pilot cap |
| 11 Spool-arm 1 | 52 Pilot cap |
| 12 Spool-arm regeneration | 53 Socket bolt |
| 13 Spool-option B | 54 Socket bolt |
| 14 Spool-bucket | 55 Socket bolt |
| 15 Spool-option C (dozer) | 56 Washer |
| 16 Main relief valve | 57 Spring washer |
| 17 Overload relief valve | 58 O-ring |
| 18 Overload relief valve | 59 O-ring |
| 19 Overload relief valve | 60 O-ring |
| 20 Negacon relief valve | 61 O-ring |
| 21 Swing logic valve | 62 O-ring |
| 22 Bucket logic valve | 63 O-ring |
| 23 Option on-off valve | 64 O-ring |
| 24 Holding valve kit A1 | 65 O-ring |
| 25 Holding valve kit A2 | 66 O-ring |
| 26 Holding valve kit B | 67 O-ring |
| 27 Regeneration block | 68 O-ring |
| 28 Plug | 69 O-ring |
| 29 Plug | 70 O-ring |
| 30 Plug | 71 O-ring |
| 31 Plug | 72 O-ring |
| 32 Plug | 73 O-ring |
| 33 Plug | 74 Backup-ring |
| 34 Plug-parallel | 75 Backup-ring |
| 35 Plug-relief cat | 76 Backup-ring |
| 36 Plug-relief cat | 77 Backup-ring |
| 37 Plug-relief cat | 78 Backup-ring |
| 38 Plug-bucket | 79 Load check spring |
| 39 Plug-bucket parallel | 80 Load check spring |
| 40 Plug-option | 81 Poppet signal spring |
| 41 Plug-orifice | 82 Pin |
| 42 Plug | |

14092MC02

2. HYDRAULIC CIRCUIT



14092MC05

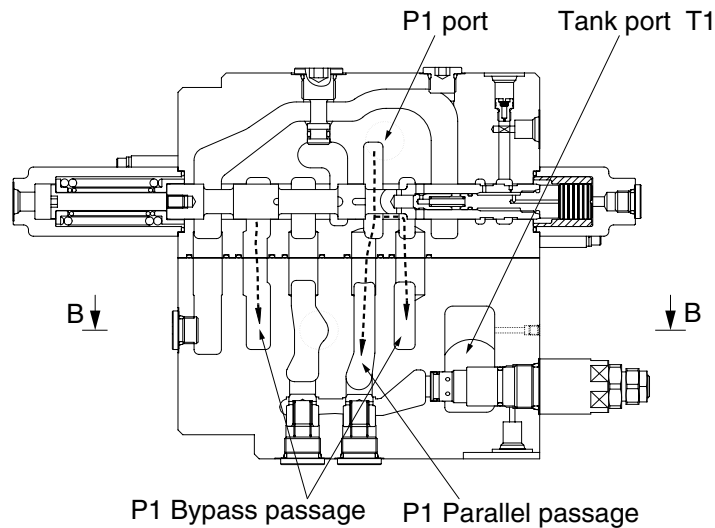
3. FUNCTION

1) CONTROL IN NEUTRAL

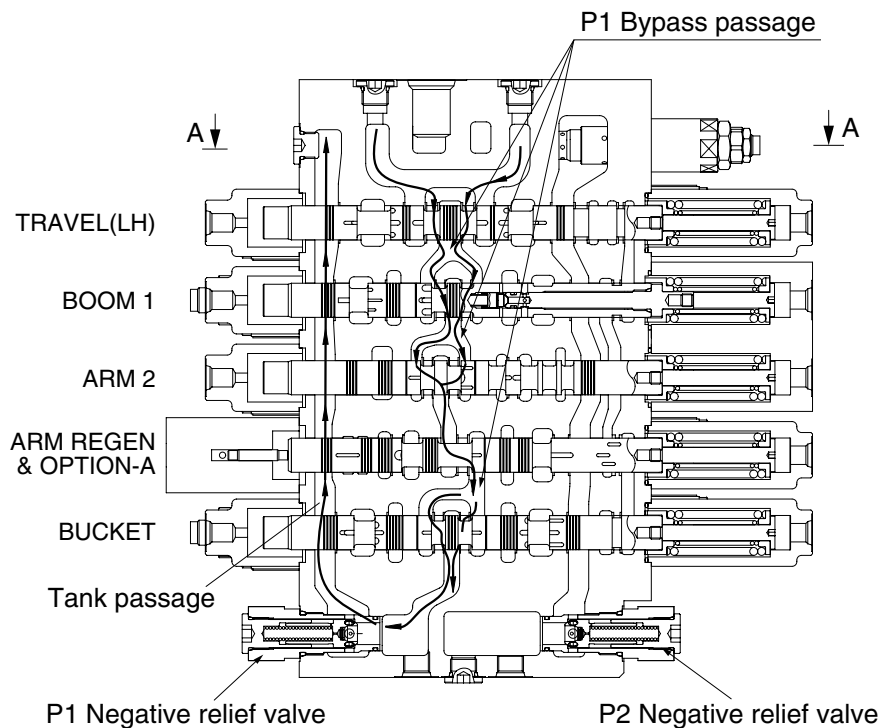
(1) P1 SIDE

The hydraulic fluid from pump A2 flows into the main control valve through the inlet port "P1", pass the straight travel spool into the P1 bypass passage and P1 parallel passage.

The hydraulic fluid from the pump A2 is directed to the tank through the bypass passage of spools : travel left, boom 1, arm 2, arm regeneration & option A and bucket, the negative relief valve of P1, tank passage, and the tank port "T1"



SECTION A-A



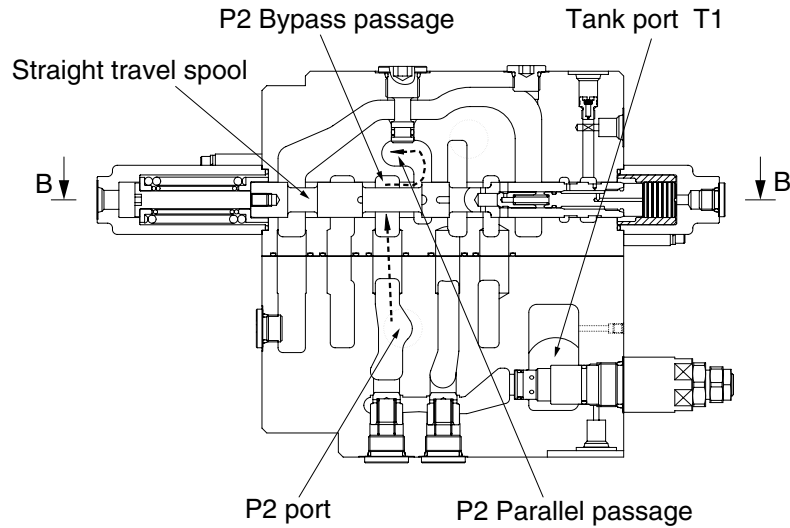
SECTION B-B

14092MC11

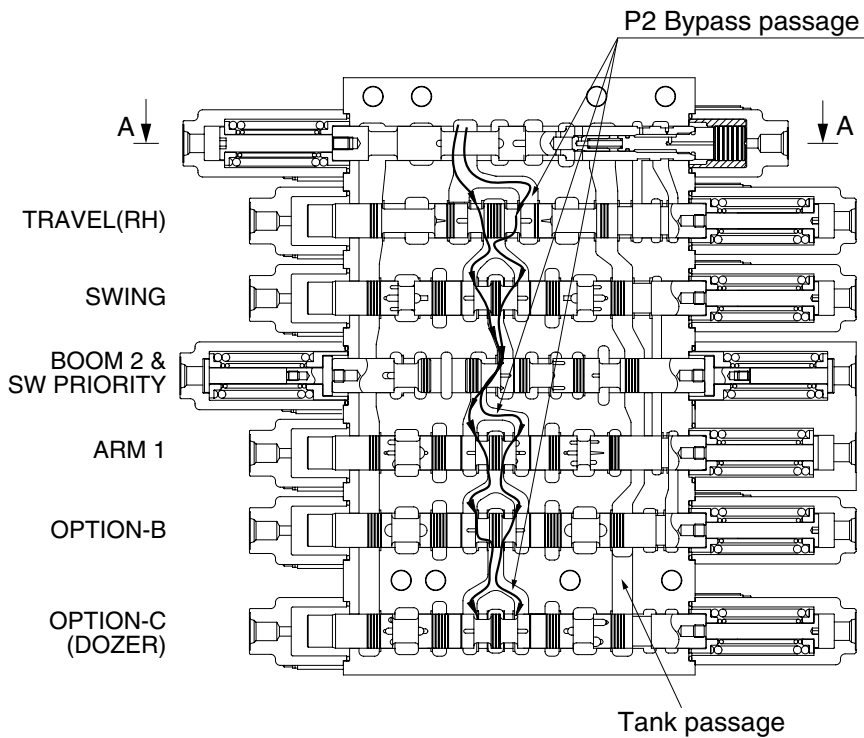
(2) P2 SIDE

The hydraulic fluid from pump A1 flows into the main control valve through the inlet port "P2", into the P2 bypass passage and P2 parallel passage.

The hydraulic fluid from the pump A1 is directed to the tank through the bypass passage of spools : travel right, swing, boom 2 & swing priority, arm 1, option "B" and option "C" (dozer), the negative relief valve of P2, tank passage and the tank port "T1".



SECTION A-A

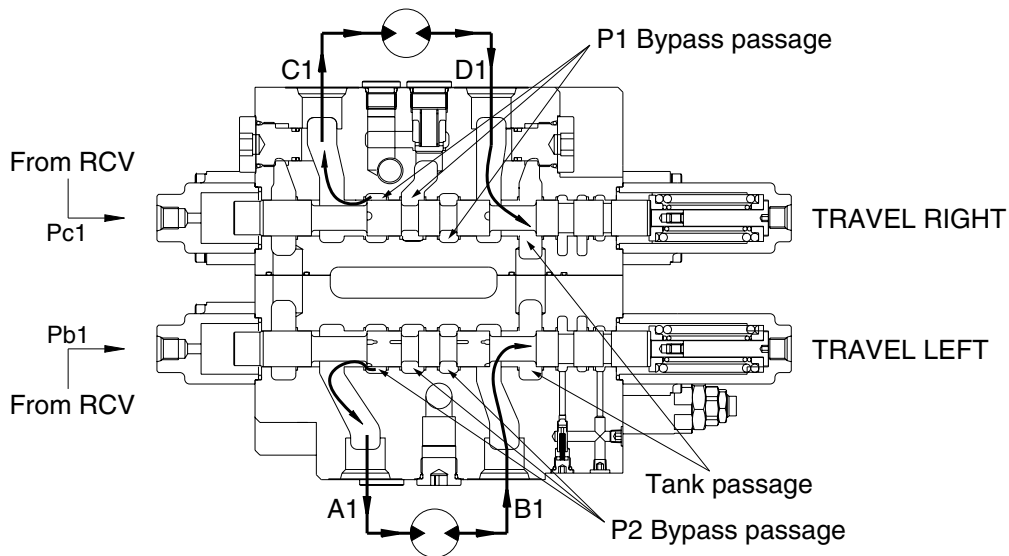


SECTION B-B

14092MC12

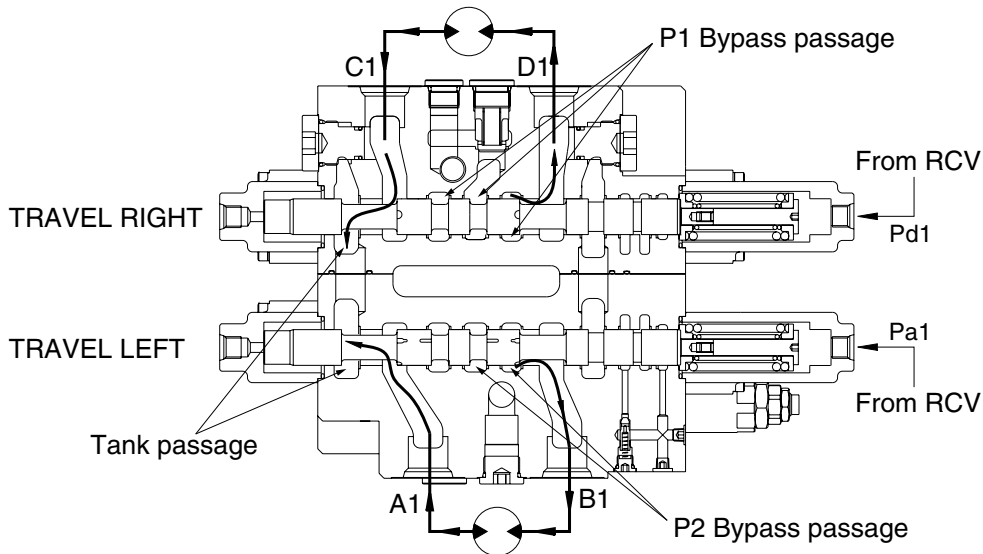
2) TRAVEL OPERATION

(1) TRAVEL FORWARD OPERATION



14092MC18

(2) TRAVEL BACKWARD OPERATION



14092MC17

During the travel forward operation, the hydraulic fluid of the pump A2 is supplied to the travel left motor and the hydraulic fluid of the pump A1 is supplied to the other travel right motor.

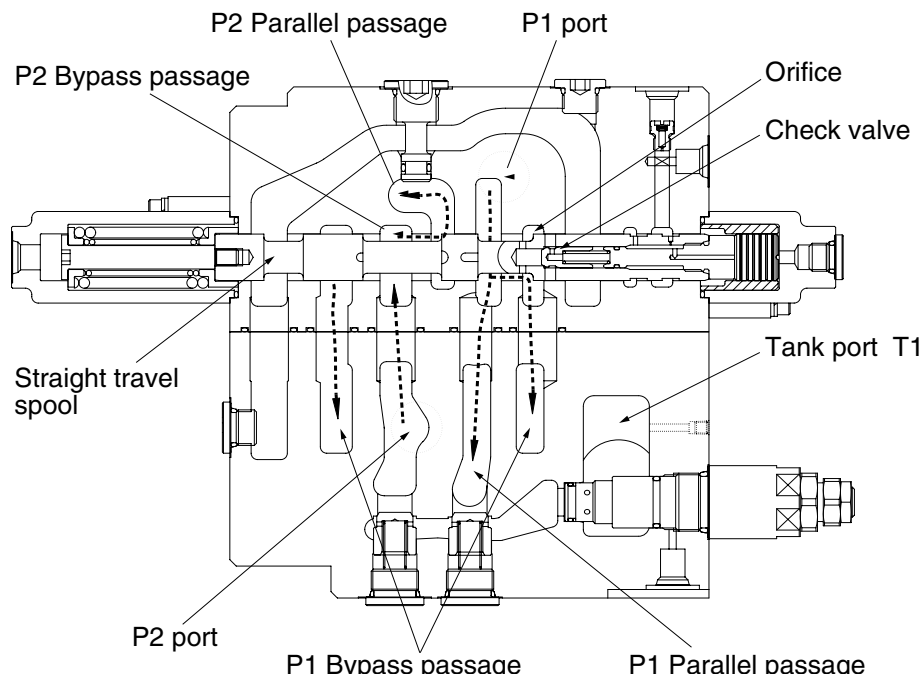
The pilot pressure from the pilot control valve is supplied to the spring side of pilot port (pb1, pc1).

And it shifts travel right and left spools in the left direction against springs. Hydraulic fluid from the pump A1 flow into the travel right spool through the bypass passage and hydraulic fluid from the pump A2 flow into the travel left spool through the bypass passage.

Then they are directed to the each travel motor through port A1 and C1. As a result, the travel motors turn and hydraulic fluid returns to the tank passage through the travel spools.

In case of the reverse operation, the operation is similar.

(3) TRAVEL STRAIGHT FUNCTION



14092MC19

This function keeps straight travel in case of simultaneous operation of other actuators (boom, arm, bucket, swing) during a straight travel.

① **During travel only :**

The hydraulic fluid of the pump A1 is supplied to the travel right motor and the pump A2 is supplied to the travel left motor.

Thus, the machine keep travel straight.

② **The other actuator operation during straight travel operation :**

When the other actuator spool (s) is selected under straight travel operation, the straight travel spool is moved.

The hydraulic fluid from pump A2 is supplied actuator through P2 and P1 parallel pass and travel motors through orifice at side of straight travel spool.

The hydraulic oil fluid from pump A1 is supplied to travel motors (left/right).

Therefore, the other actuator operation with straight travel operation, hydraulic oil fluid from pump A2 is mainly supplied to actuator, and the hydraulic oil fluid form pump A1 is mainly supplied to travel motors (left/right).

Then the machine keeps straight travel.

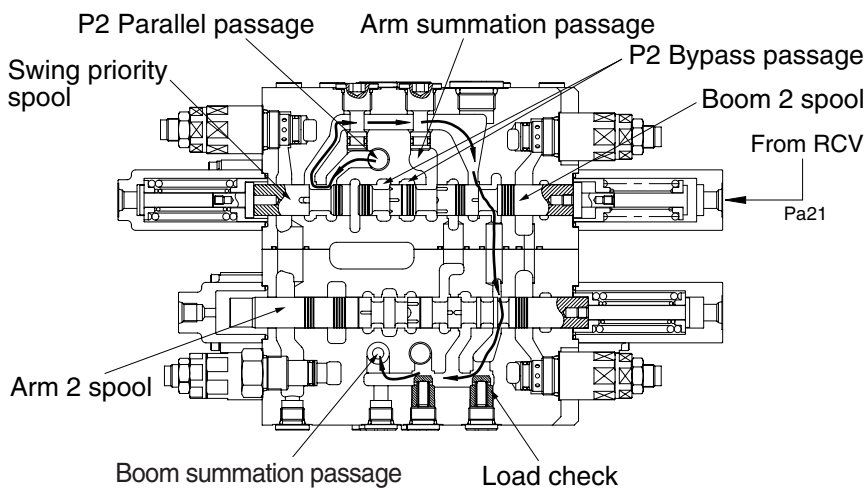
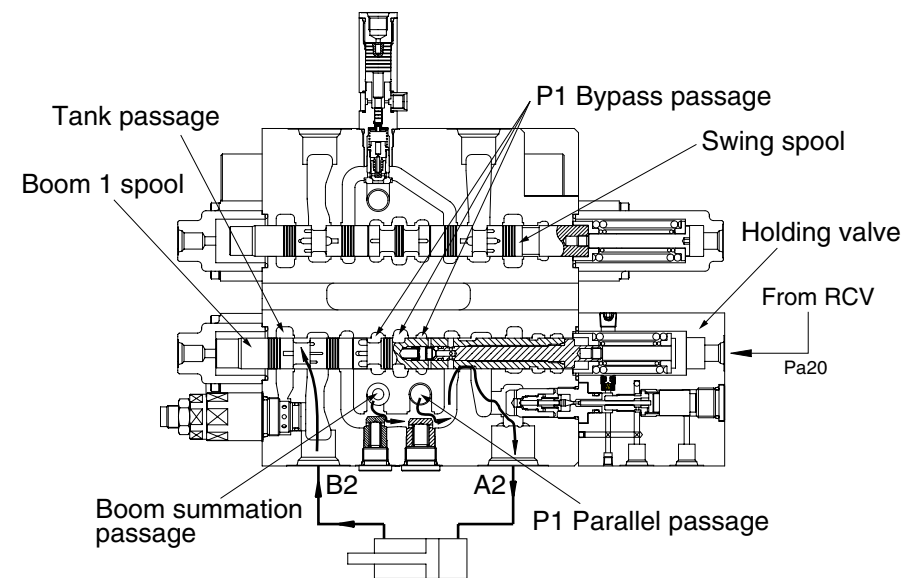
3) BOOM OPERATION

(1) BOOM UP OPERATION

During boom up operation, the pilot secondary pressure from RCV is supplied to the port Pa20 of the spring side and shifts the boom 1 spool in the left direction. The bypass passage is shut off by the movement of the boom 1 spool and the hydraulic oil fluid from pump A2 is entered P1 parallel passage and then passes through the load check, bridge passage and boom holding valve then flows into the port A2. Following this it flows into the head side of the boom cylinder. (In this case, the boom holding valve is free flow condition)

At the same time, the pilot pressure from RCV is supplied to the port Pa21 of the spring side of boom 2 and shifts the boom 2 spool. The bypass passage is shut off by the movement of the boom 2 spool and the hydraulic oil fluid from pump A1 entered boom summation passage via the P2 parallel passage, the land of the swing priority spool, notch of the boom 2 spool, arm 2 spool and the check. The flows combine in passage and are directed to port A2 and head side of boom cylinder.

At the same time, the flow from rod side of the boom cylinder return to the boom 1 spool through the port B2. Thereafter it is directed to the hydraulic oil tank through the tank passage.



(2) BOOM DOWN OPERATION

During the boom lowering operation, the pilot pressure from RCV is supplied to the port Pb20 of the spring opposite side and shifts the boom 1 spool in the right direction.

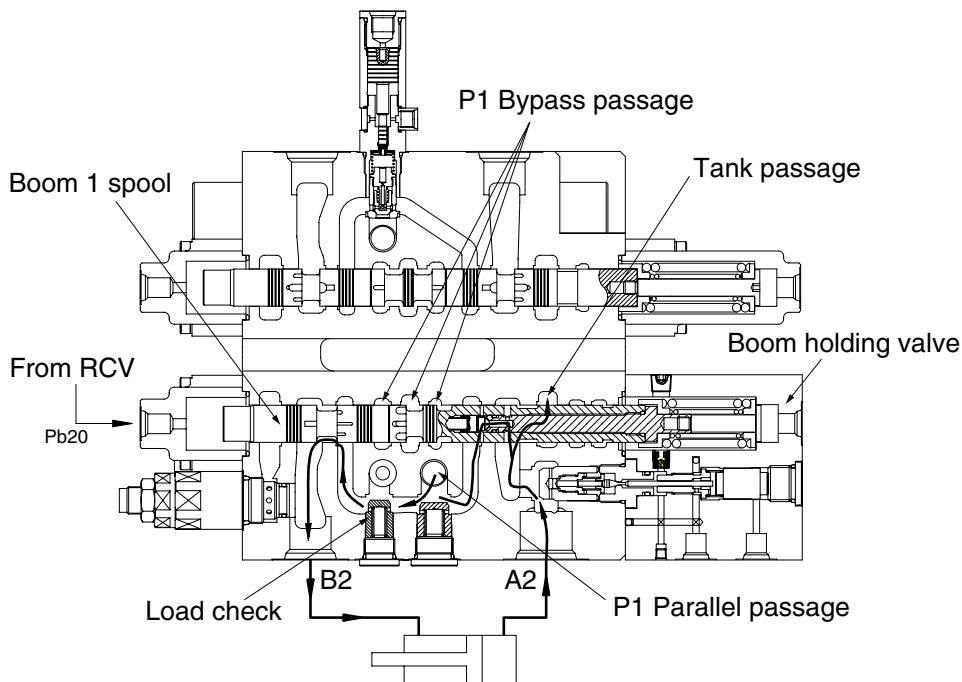
The bypass passage is shut off by the movement of the boom 1 spool and the hydraulic fluid from the pump A2 enters the parallel passage and is directed to the port B2 through the load check. Following this, it flows into the rod side of the boom cylinder.

At the same time, the return flow from the head side of the boom cylinder returns to the port A2 and boom holding valve. And it is directed to the hydraulic oil tank through opened tank passage by movement of the boom 1 spool.

Meanwhile some of return flow is directed to P1 parallel passage through the internal passage of the boom 1 spool. (boom regeneration)

In this case, the holding valve is open condition, for details of the boom holding valve, see page following page.

During the boom lowering operation, the fluid from A1 pump is not summation.



14W92MC26

4) HOLDING VALVE OPERATION

(1) HOLDING OPERATION

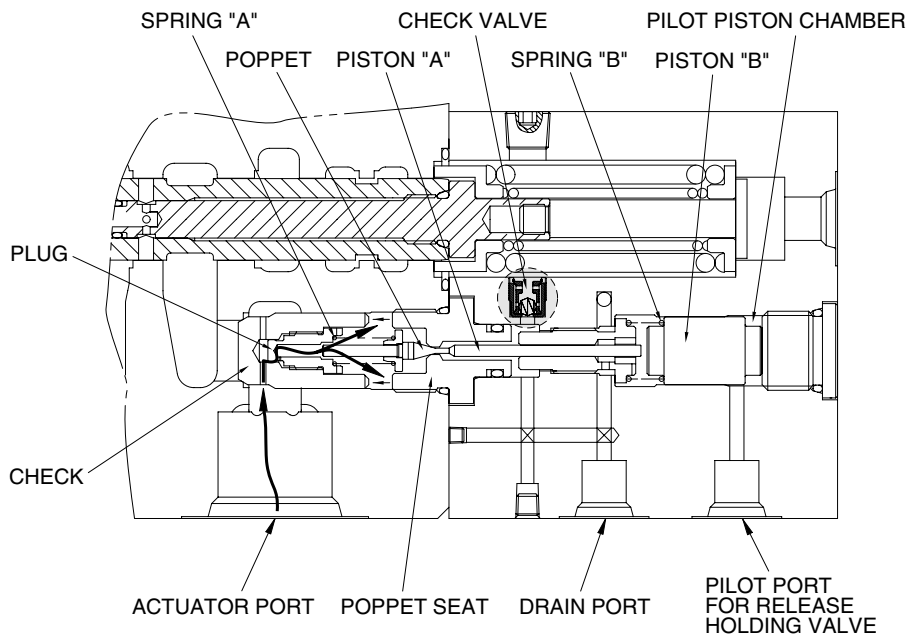
At neutral condition, the pilot piston chamber is connected to drain port through the pilot port.

And the piston "B" is supported with spring "B".

Also, the pressured fluid from actuator entered to inside of the holding valve through the periphery hole of check, crevice of the check and the plug and the periphery hole of plug.

Then, this pressured oil pushed the poppet to the poppet seat and the check to the seat of body.

So the hydraulic fluid from actuator is not escaped and the actuator is not moved.



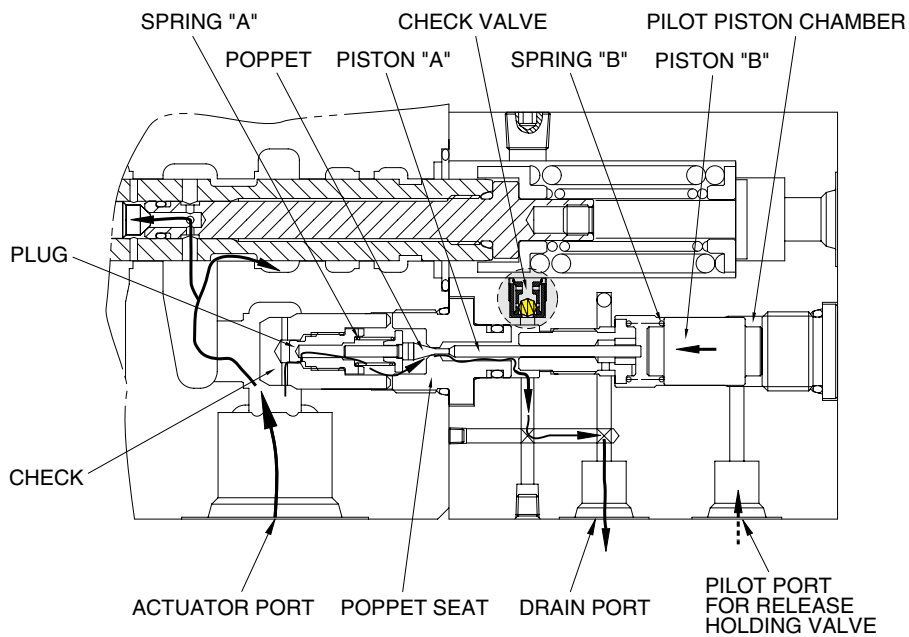
14W92MC15

(2) RELEASE HOLDING OPERATION

The pilot pressure is supplied to the pilot port for release holding valve and shifts the piston "B" in the left direction against the spring "B", and shifts the poppet in the left direction through piston "B" and piston "A" against spring "B" and shifts the spool in the left side.

At same time, the return fluid from actuator returns to the drain port through the periphery hole of check, crevice of the check and the plug, the periphery hole of the plug, in side of holding valve, crevice of the poppet and the poppet seat, the periphery hole of the poppet seat, crevice of socket and spool and internal passage of spool.

When the poppet is opened, pressure of inside of holding valve is decreased and the return fluid from actuator returns to the tank passage through the notch of spool.



14W92MC16

5) BUCKET OPERATION

(1) BUCKET IN OPERATION

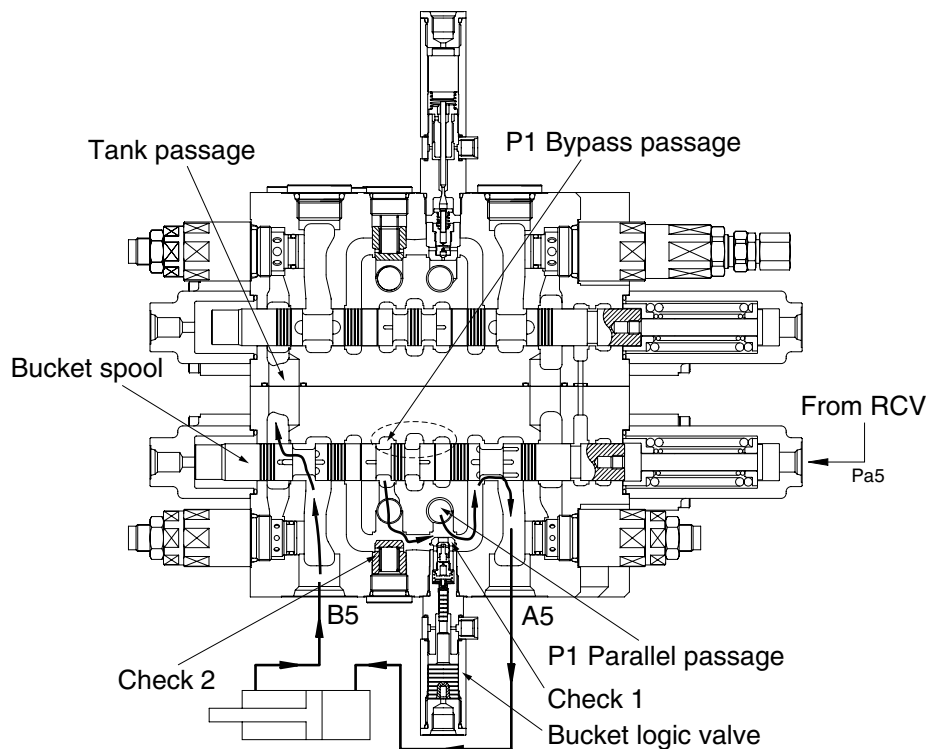
During the bucket in operation, the pilot secondary pressure from RCV is supplied to port Pa5 of the spring side and shifts the bucket spool in the left direction.

The bypass passage is shut off by the movement of the bucket spool and the hydraulic fluid from pump A2 entered P1 parallel passage and is directed to the port A5 through the check 1 of bucket logic valve.

At the same time, the hydraulic fluid from P1 bypass passage is directed to the port A5 through the check 2.

Following this it flows into the head side of the bucket cylinder.

The return flow from the rod side of the bucket cylinder returns to the bucket spool through the port B5. Thereafter it is directed to the hydraulic oil tank through the tank passage.



14W92MC34

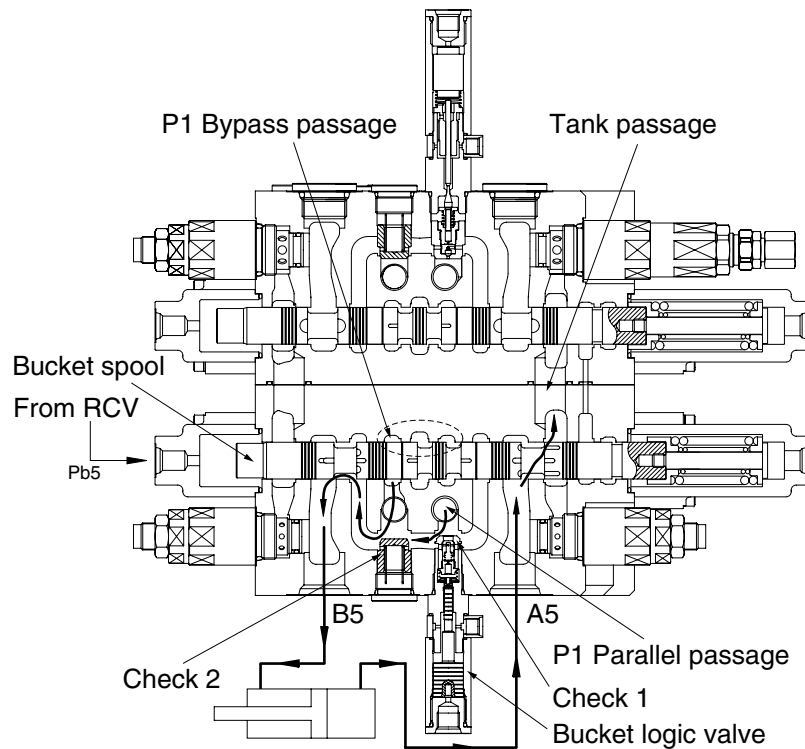
(2) BUCKET OUT OPERATION

During the bucket out operation, the pilot secondary pressure from RCV is supplied to port Pb5 of the spring opposite side and shifts the bucket spool in the right direction.

The bypass passage is shut off by the movement of the bucket spool and the hydraulic fluid from pump A2 entered P1 parallel passage and is directed to the port B5 through the check 1 of bucket logic valve.

At the same time, the hydraulic fluid from P1 bypass passage is directed to the port B5 through the check 2.

The return flow from the head side of the bucket cylinder returns to the hydraulic oil tank through the port A5 and the tank passage.

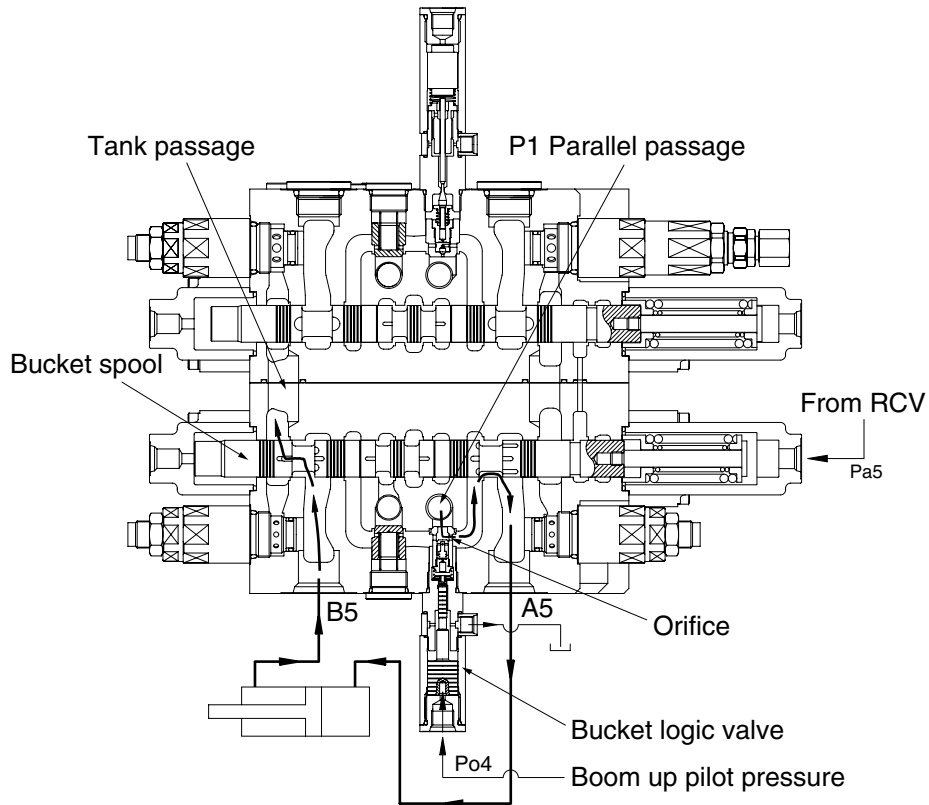


14W92MC35

(3) BUCKET IN OPERATION WITH BOOM OPERATION

When combined operation, mostly same as previous page but the fluid from P1 bypass passage is empty.

So only the fluid from P1 parallel passage is supplied to the bucket cylinder. Also, parallel passage is installed the orifice of bucket logic valve for supplying the fluid from pump A2 to the boom operation prior to the bucket operation. In case of the bucket out operation with boom



14W92MC29

6) SWING OPERATION

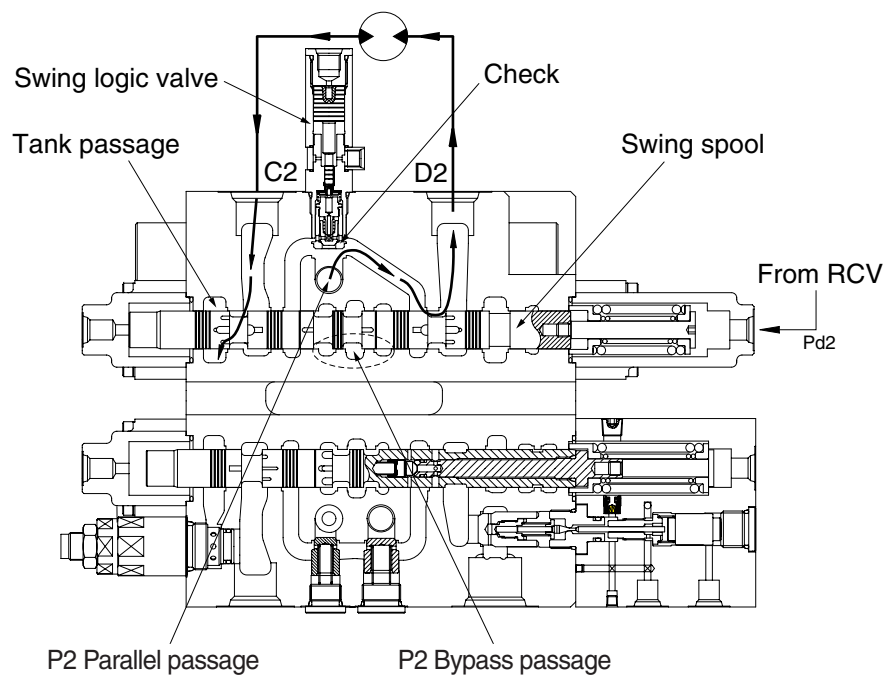
(1) SWING LEFT & RIGHT OPERATION

During the swing left operation, the pilot secondary pressure from the RCV is supplied to the port Pd2 of the spring side and shift the swing spool in left direction. The bypass passage is shut off by the movement of the swing spool and the hydraulic fluid from pump A1 flows into swing spool through the P2 parallel passage. Then it is directed to swing motor through the port D2.

As the result, swing motor turns and flow from the swing motor returns to the hydraulic oil tank through the port C2, swing spool and the tank passage.

In case of swing right operation, the operation is similar to swing left operation but the pilot secondary pressure from the RCV is supplied to the port Pc2 of the spring opposite side.

Accordingly, the hydraulic fluid from pump A1 flows into swing motor through the port C2 and returns to the hydraulic oil tank through the port D2 and the tank passage.

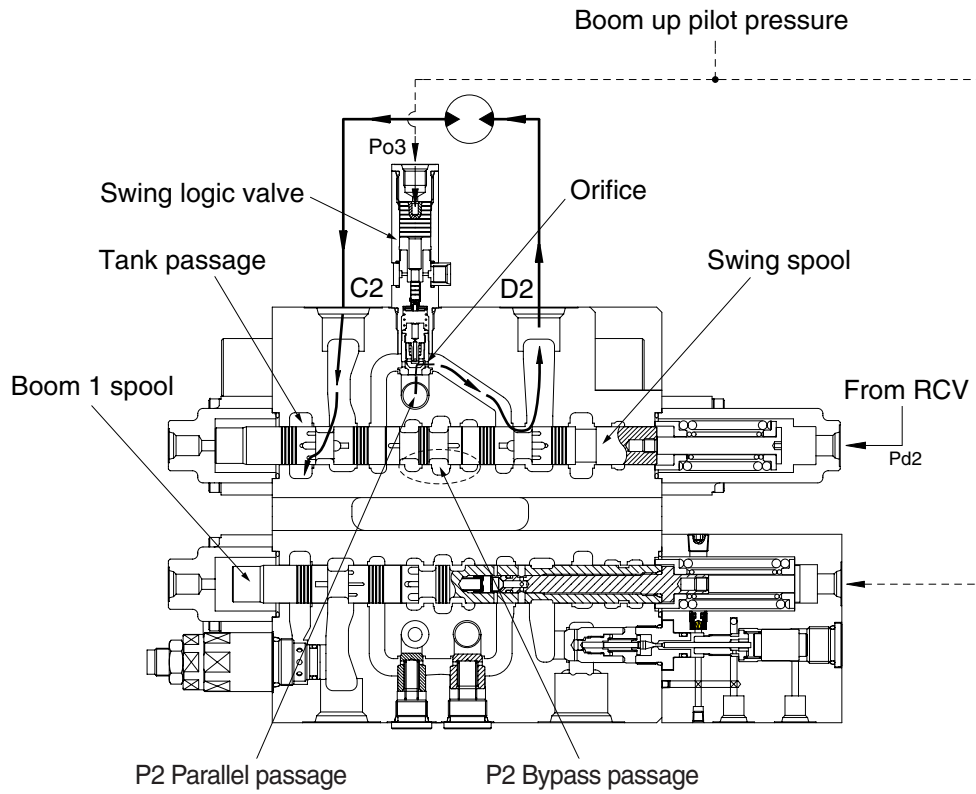


14W92MC32

(2) SWING LEFT OPERATION WITH ARM OR BOOM OPERATION

When combined operation, mostly same as previous page but the fluid from P2 bypass passage is empty.

So only the fluid from parallel passage is supplied to the swing motor. Also, parallel passage is installed the orifice of swing logic valve for supplying the fluid from pump A1 to the boom or the arm operation prior to the swing operation. In case of the swing right operation with arm or boom



14W92MC20

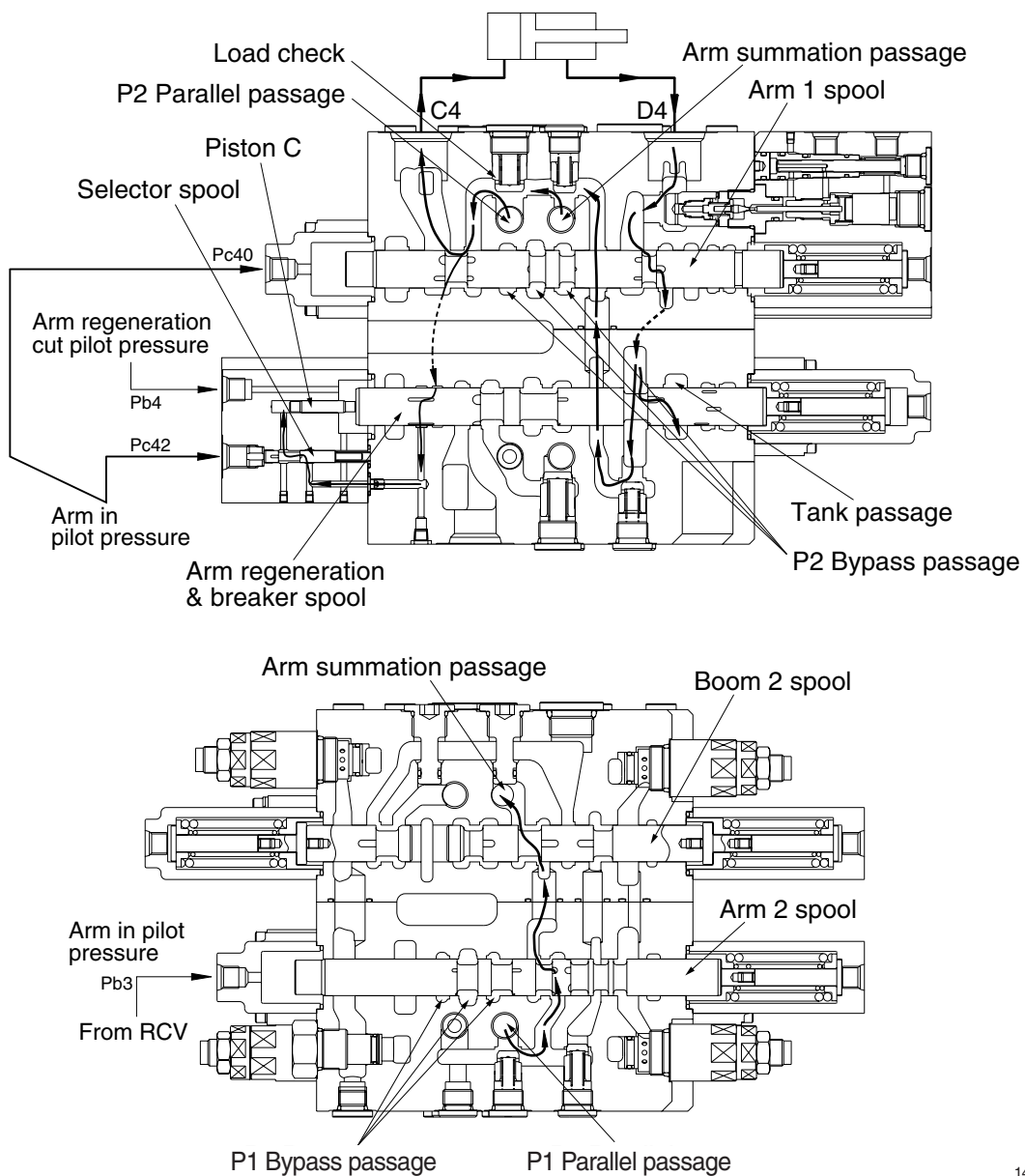
7) ARM OPERATION

(1) ARM IN OPERATION

During arm in operation, the pilot secondary pressure from the RCV is supplied to the port Pc40 of spring opposite side and shifts arm 1 spool in the right direction.

The bypass passage is shut off by the movement of the arm 1 spool and the hydraulic oil from the pump A1 flows into the arm cylinder head side through P2 parallel passage, the load check valve, bridge passage and the port C4.

At same time, the pilot secondary pressure from the RCV is supplied to the port Pb3 of spring opposite side and shifts arm 2 spool in the right direction. The bypass passage is shut off by the movement of the arm 2 spool and the hydraulic fluid from the pump A2 flows into the arm summation passage through P1 parallel passage, the check valve, the arm 2 spool and the boom 2 spool. Then it entered the arm cylinder head side with hydraulic fluid from arm 1 spool.



14W92MC21

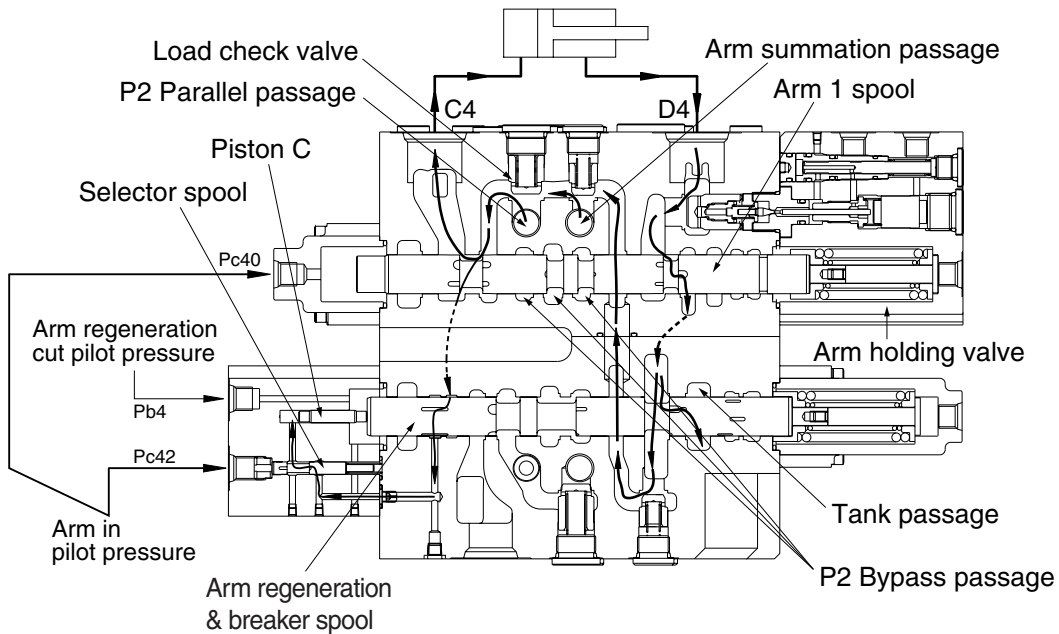
ARM REGENERATION

The return flow from the arm cylinder rod side is pressurized by self weight of arm and so, returns to port D4. The pressurized oil returning to port D4 enters the arm regeneration & breaker spool through the arm holding valve and the arm 1 spool. It is supplied the arm cylinder head through internal passage. This is called the arm regeneration function.

The amount of regeneration fluid is changed by movement of the arm regeneration spool. A few fluids after P2 parallel passage is push piston "C" through the notch of arm regeneration spool and selector spool. At this time, the selector spool is opened by pilot pressure from RCV.

Then, the arm regeneration spool shifts to right side and flow to tank pass increases and regeneration flow decreases. Therefore, pressure of arm cylinder head increases, then, arm regeneration flow decreases.

Furthermore, the arm regeneration cut pressure is supplied to the port Pb4 of spring opposite side and arm regeneration spool is move into the right direction fully. The flow from the arm cylinder rod is returned to the hydraulic oil tank and regeneration function is not activated. (The return fluid is maximum condition)



14W92MC22

(2) ARM OUT OPERATION

During arm out operation, the pilot secondary pressure from RCV is supplied to the port Pd40 of spring side and shifts arm 1 spool in the left direction.

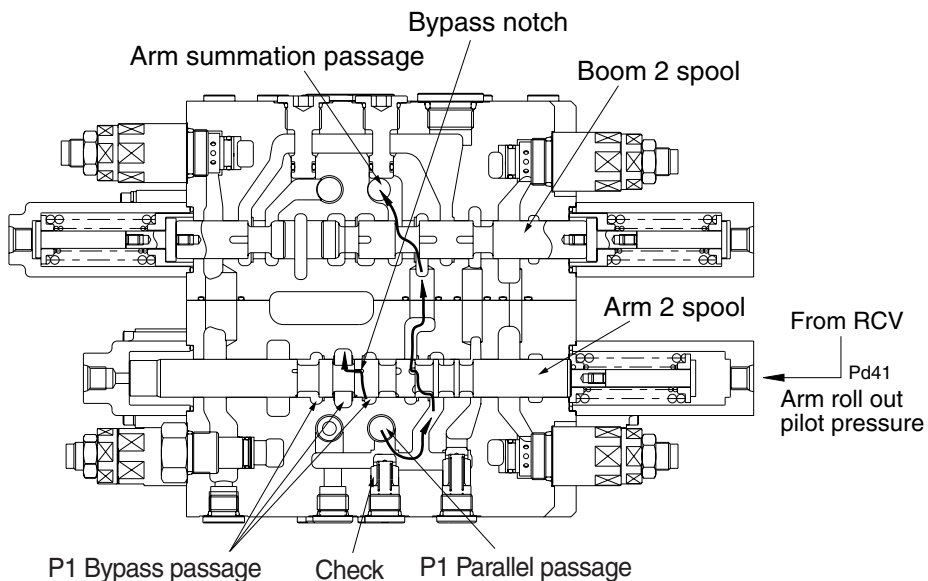
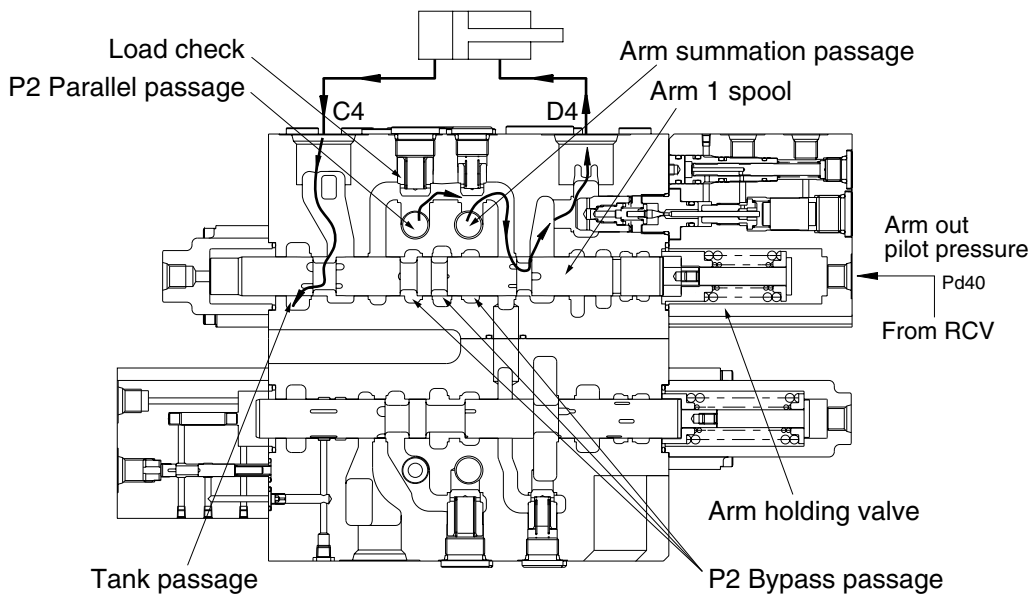
The bypass passage is shut off by the movement of the arm 1 spool and the hydraulic fluid from pump A1 flows into arm 1 spool through the P2 parallel passage. Then it enters into the arm cylinder rod side through the load check, bridge passage, arm holding valve and the port D4.

Also, the pilot secondary pressure from RCV is supplied to the port Pd41 of spring side and shifts arm 2 spool in the left direction.

The bypass passage is shut off by the movement of the arm 2 spool and some of the hydraulic fluid from pump A2 bypassed through bypass notch. The rest of hydraulic fluid from pump A2 flows into the arm summation passage through P1 parallel passage, the check valve, arm 2 spool and boom 2 spool.

Then it enters into the arm cylinder rod side with the fluid from the arm 1 spool.

The return flow from the arm cylinder head side returns to the hydraulic tank through the port C4, the arm 1 spool and tank passage.



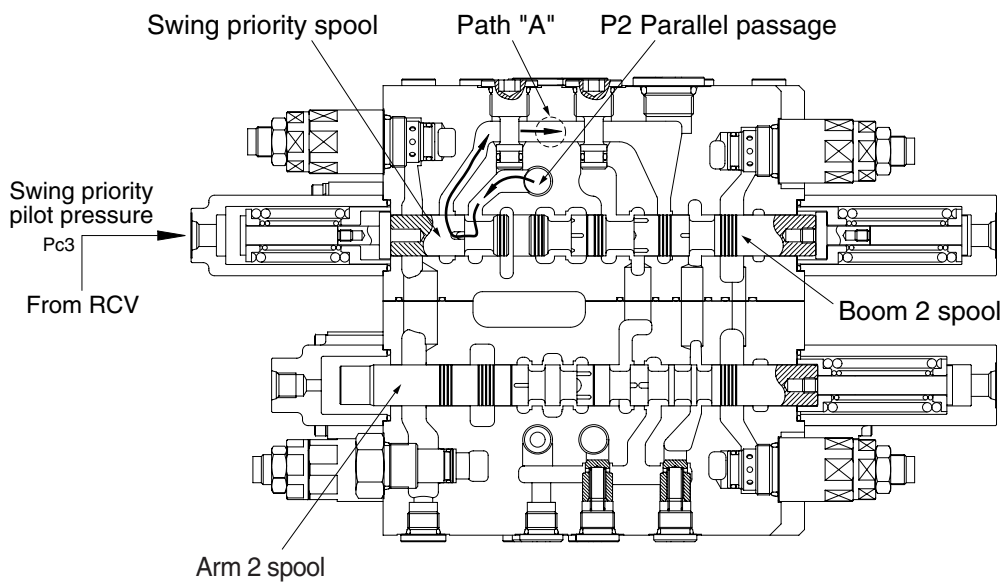
14W92MC23

8) SWING PRIORITY FUNCTION

During swing priority operation, the pilot secondary pressure is supplied to the port Pc3 of the spring side of the swing priority spool and shift swing priority spool in the right direction.

The hydraulic fluid from P2 parallel passage flows into the parallel passage of arm 1 side through swing priority spool and the path "A" and also flows into the boom 2 spool.

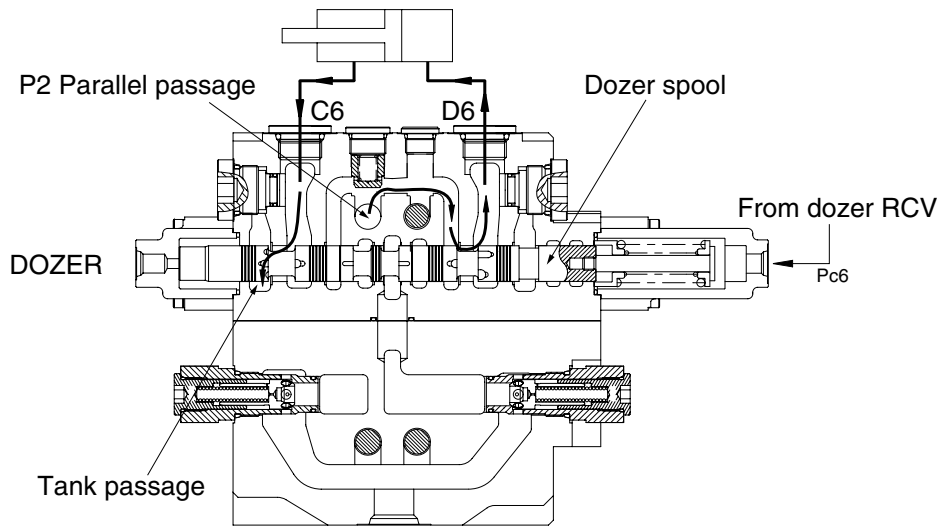
When the swing priority spool is neutral condition, the passage is same as normal condition. But due to shifting of the swing priority spool, the fluid from pump A1 flows to swing side more then the boom 2, arm 1, option B and dozer spools to make the swing operation most preferential.



14W92MC27

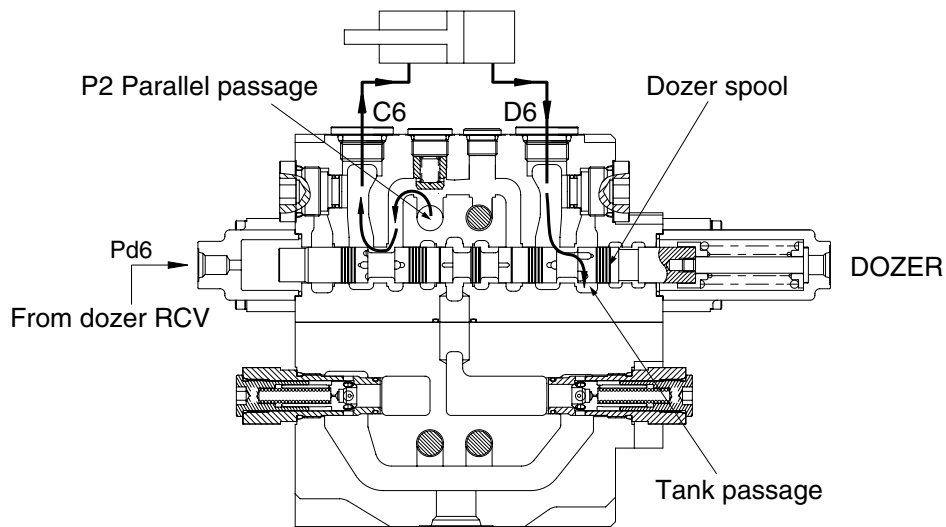
9) DOZER OPERATION

(1) Dozer down operation



14W92MC30

(2) Dozer up operation



14W92MC31

During the dozer down operation, the pilot pressure from the dozer control valve is supplied into the port Pc6 of the spring side and it shifts the dozer spool in the left direction.

The hydraulic fluid from the pump A1 enters the parallel passage and is direction to the head side of the dozer cylinder through port D6.

The return flow from the rod side of the dozer cylinder returns to the dozer spool through C6 port. Thereafter it is directed to the hydraulic tank through tank passage.

In case of the dozer up operation, operation is similar.

10) NEGATIVE RELIEF VALVE OPERATION

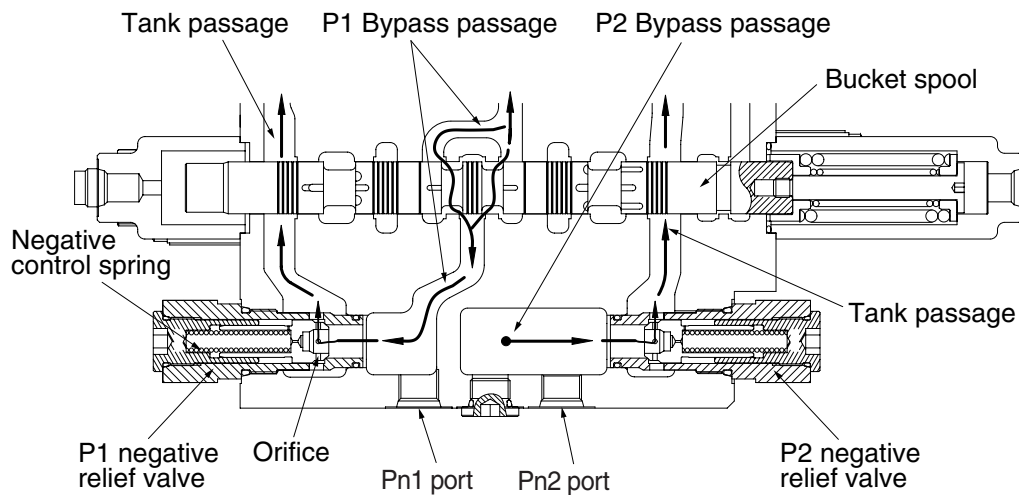
When no function is being actuated on P1 side, the hydraulic fluid from the pump A2, flows into the tank passage through the P1 bypass passage and orifice. The restriction caused by this orifice thereby pressurizes. This pressure is transferred as the negative control signal pressure Pn1 to the pump A2 regulator.

It controls the pump regulator so as to minimize the discharge of the pump A2.

The bypass passage is shut off when the shifting of one or more spools and the flow through bypass passage became zero. The pressure of negative control signal becomes zero and the discharge of the pump A2 becomes maximum.

The negative control pressure reaches to the set level, the hydraulic fluid in the passage pushes open negative control valve and escapes into the return passage.

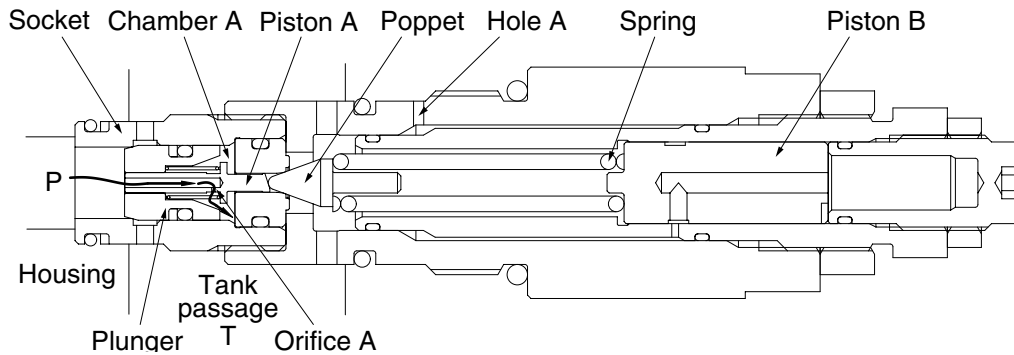
For the pump A1 the same negative control principle.



14W92MC28

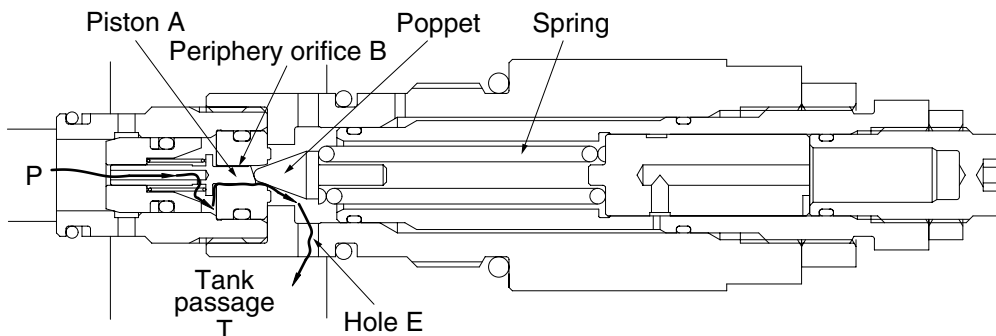
11) OPERATION OF MAIN RELIEF VALVE

- (1) The pressurized oil passes through the orifice (A) of the plunger is filled up in chamber A of the inside space, and seats the plunger against the housing securely.



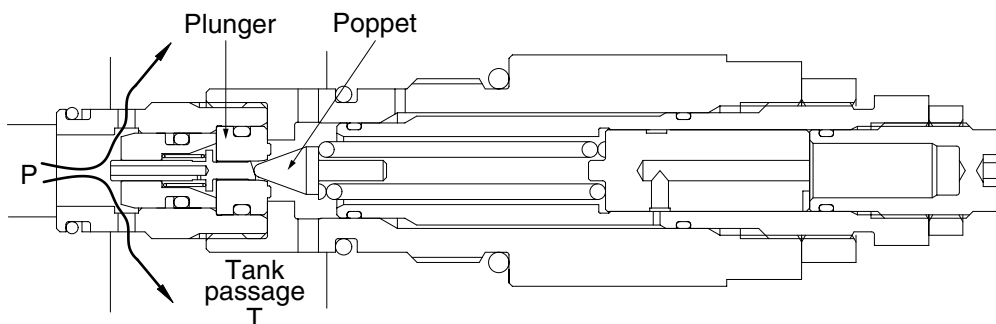
14W92MC36

- (2) When the pressure at (P) becomes equal to the set pressure of the spring the hydraulic oil passes through the piston (A) pushes open the poppet and flows to tank passage (T) through the plunger internal passage, periphery orifice A, chamber A, periphery orifice B and the hole (E).



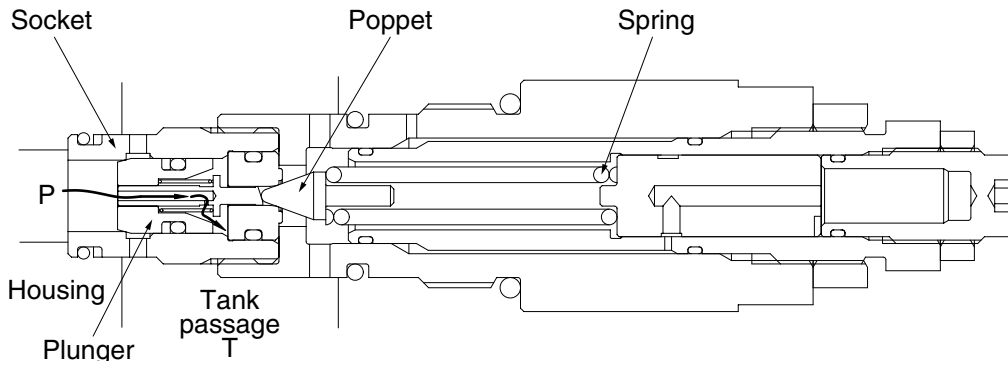
14W92MC37

- (3) Opening the poppet causes the pressure in chamber A to fall and the plunger to open. As the result the pressurized oil at port P runs into tank passage (T).



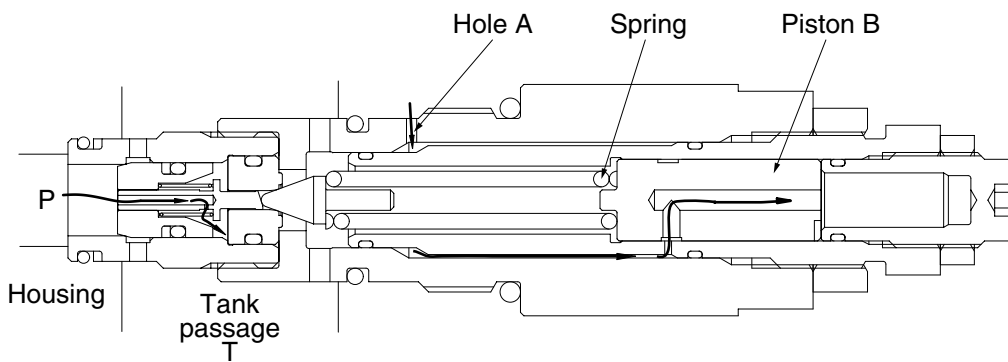
14W92MC38

- (4) The pressure at port P becomes lower than set pressure of the spring, the poppet is seated by spring force. Then the pressure at port P becomes equal to set pressure of the spring and the plunger is seated to the socket.



14W92MC39

- (5) When the power boost switch is ON, the pilot pressure enters through hole A. It pushes the piston (B) in the left direction to increase the force of the spring and change the relief set pressure to the high pressure.

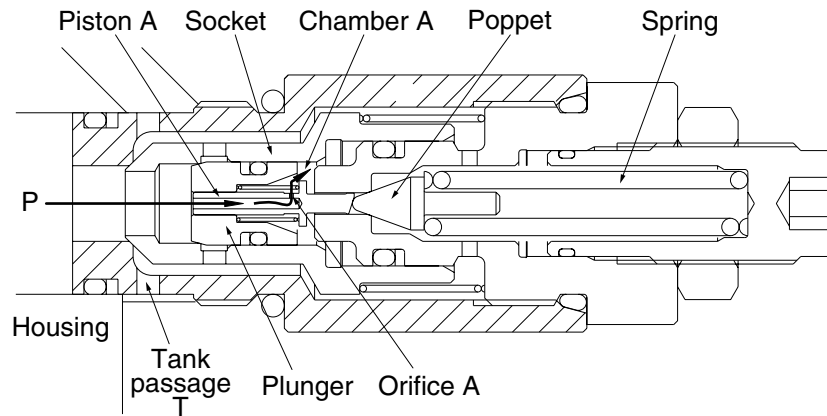


14W92MC40

12) OPERATION OF OVERLOAD RELIEF VALVE

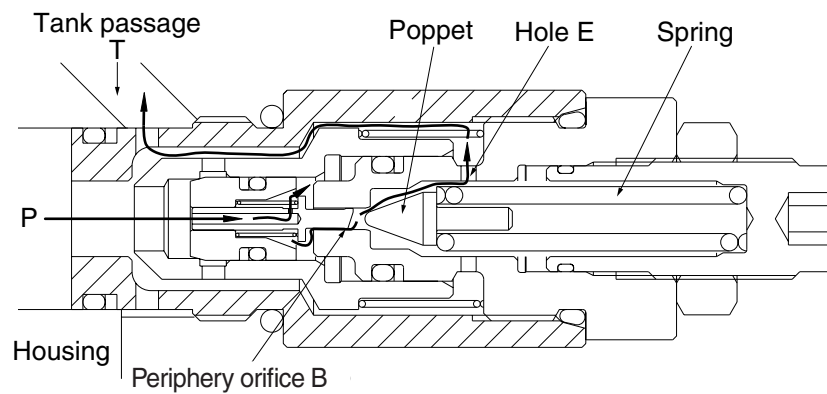
FUNCTION AS RELIEF VALVE

- (1) The pressurized oil passes through the piston A and orifice A is filled up in chamber A of the inside space and seat the plunger against the socket and the socket against the housing securely.



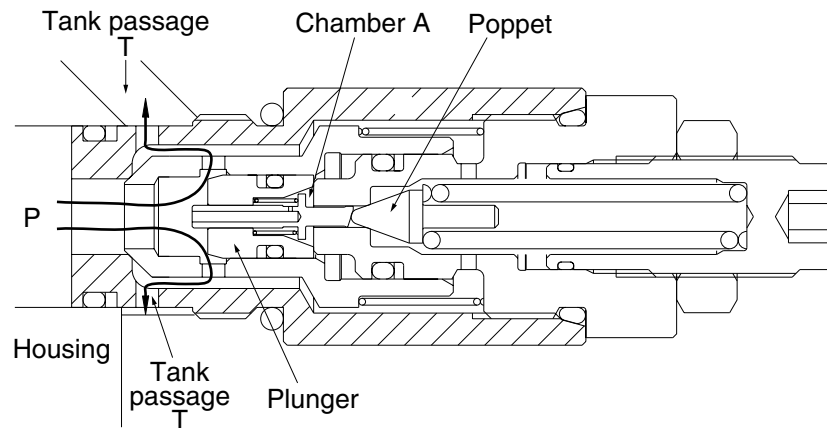
14W92MC41

- (2) When the pressure at port P becomes equal to the set pressure of the spring, the pressurized oil pushes open the poppet and flows to tank passage (T) through the plunger internal passage, orifice A, chamber A, periphery orifice B and hole E.



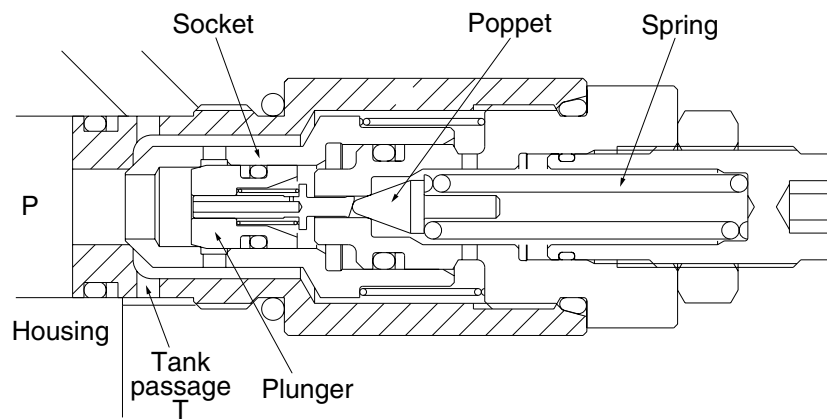
14W92MC42

- (3) Opening of the poppet causes the pressure in chamber A to fall and the plunger to open. As the result the pressurized oil at port P runs into tank passage (T).



14W92MC43

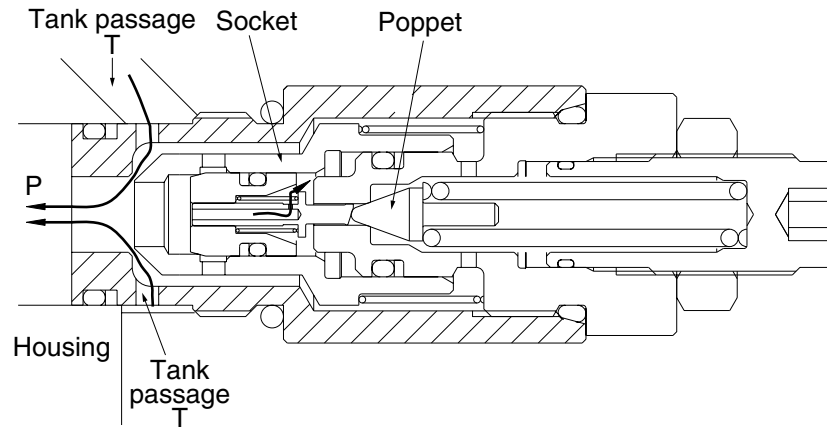
- (4) The pressure at port P becomes lower than set pressure of the spring, the poppet is seated by spring force. Then the pressure at port P becomes equal to set pressure of the spring and the plunger is seated to the socket.



14W92MC44

MAKE-UP FUNCTION

- (5) When negative pressure exists at port P, the oil is supplied through tank passage (T). When the pressure at tank passage (T) becomes higher than that of at port P, the socket moves in the right direction. Then, sufficient oil passes around the socket from tank passage (T) to port P and fills up the space.



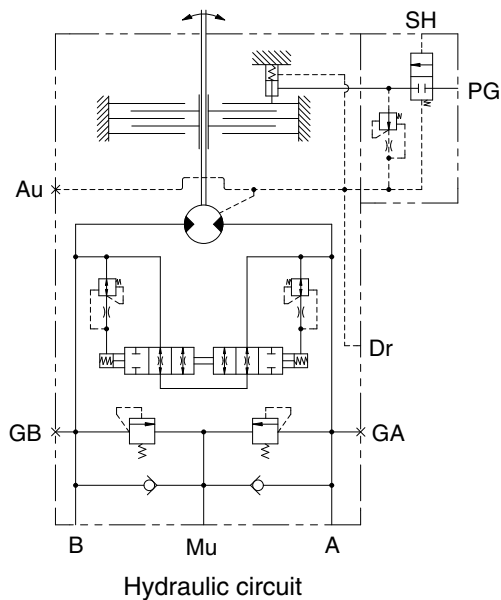
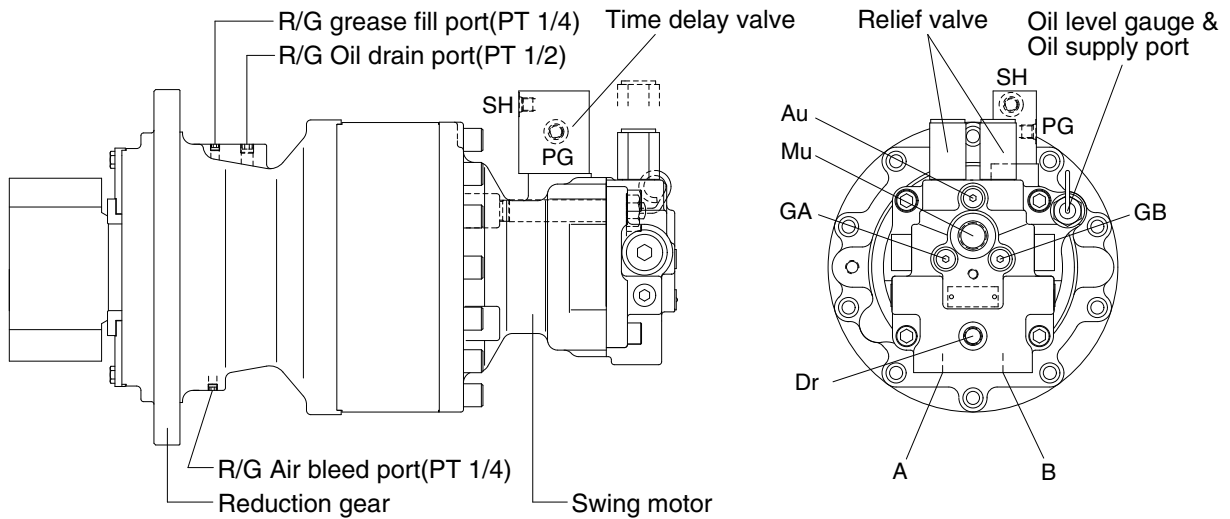
14W92MC45

GROUP 3 SWING DEVICE

1. STRUCTURE

Swing device consists swing motor, swing reduction gear.

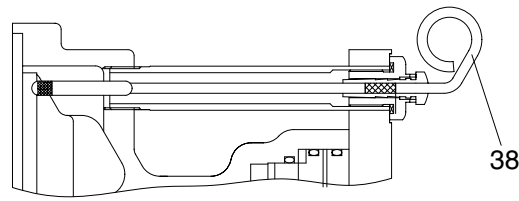
Swing motor include mechanical parking valve, relief valve, make up valve and time delay valve.



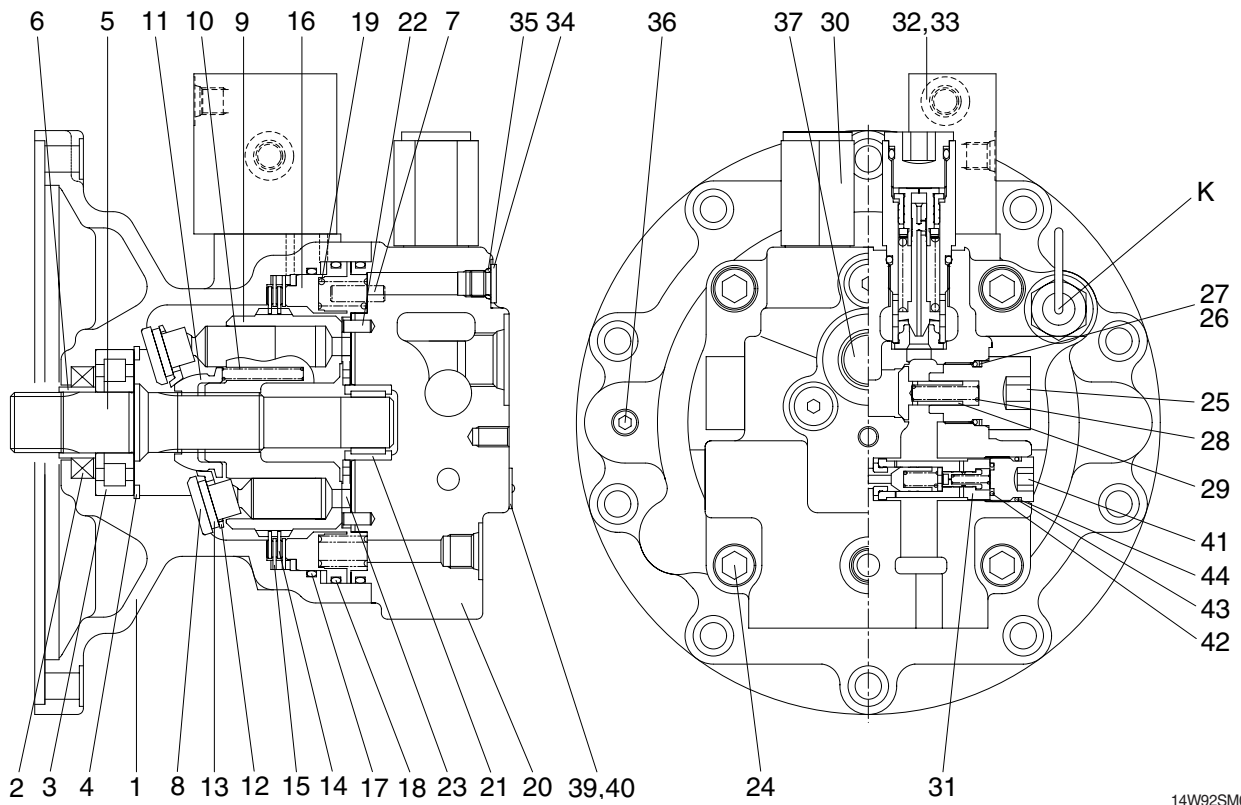
14W92SM01

Port	Port name	Port size
A	Main port	∅ 13
B	Main port	∅ 13
Dr	Drain port	PF 3/8
Mu	Make up port	PF 3/4
SH	Brake release pilot port	PF 1/4
PG	Brake release stand by port	PF 1/4
GA, GB	Gage port	PF 1/4
Au	Air vent port	PF 1/4

1) SWING MOTOR



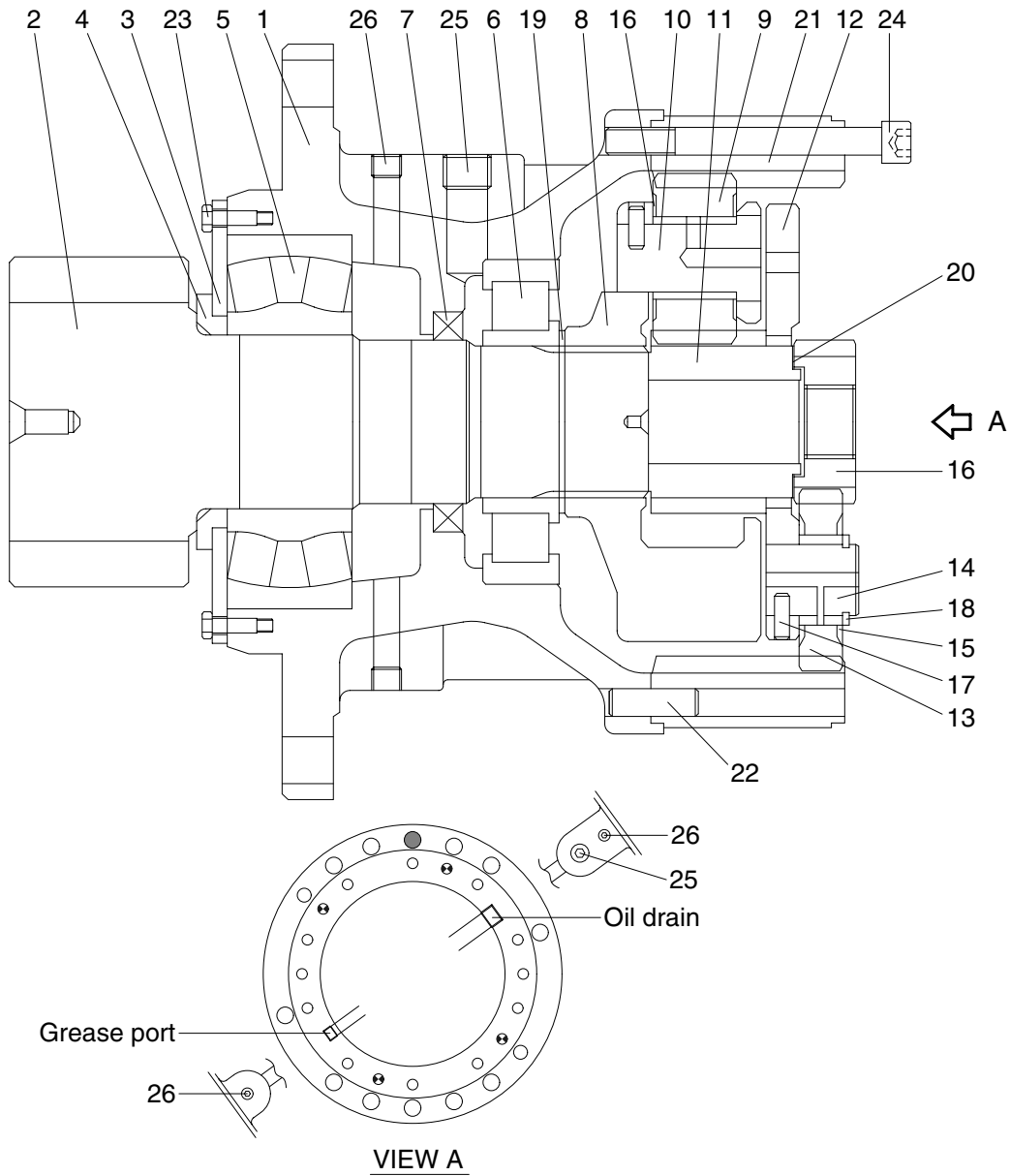
DETAIL K



14W92SM02

- | | | | | | |
|----|-----------------|----|----------------|----|---------------------|
| 1 | Body | 16 | Brake piston | 31 | Anti-rotating valve |
| 2 | Oil seal | 17 | O-ring | 32 | Time delay valve |
| 3 | Roller bearing | 18 | O-ring | 33 | Wrench bolt |
| 4 | Snap ring | 19 | Brake spring | 34 | Plug |
| 5 | Drive shaft | 20 | Rear cover | 35 | O-ring |
| 6 | Bushing | 21 | Needle bearing | 36 | Plug |
| 7 | Pin | 22 | Pin | 37 | Plug |
| 8 | Shoe plate | 23 | Valve plate | 38 | Level gauge |
| 9 | Cylinder block | 24 | Wrench bolt | 40 | Rivet |
| 10 | Spring | 25 | Plug | 41 | Plug |
| 11 | Ball guide | 26 | Back up ring | 42 | O-ring |
| 12 | Set plate | 27 | O-ring | 43 | O-ring |
| 13 | Piston assembly | 28 | Spring | 44 | Back up ring |
| 14 | Friction plate | 29 | Check | | |
| 15 | Separate plate | 30 | Relief valve | | |

2) REDUCTION GEAR



1	Casing	10	Pin No.2 assembly	19	Stop ring
2	Drive shaft	11	Sun gear No. 2	20	Side plate No. 1
3	Cover plate	12	Carrier No. 1	21	Ring gear
4	Spacer	13	Planet gear No. 1	22	Knock pin
5	Roller bearing	14	Pin No.1	23	Hexagonal bolt
6	Roller bearing	15	Thrust washer (B)	24	Socket head bolt
7	Oil seal	16	Sun gear No. 1	25	Plug
8	Carrier No. 2	17	Spring pin	26	Plug
9	Planet gear No. 2	18	Stop ring		

14W92SM03

2. PRINCIPLE OF DRIVING

1) GENERATING THE TURNING FORCE

The high hydraulic supplied from a hydraulic pump flows into a cylinder (9) through valve cover of motor (20), and valve plate (23).

The high hydraulic is built as flowing on one side of Y-Y line connected by the upper and lower sides of piston (13).

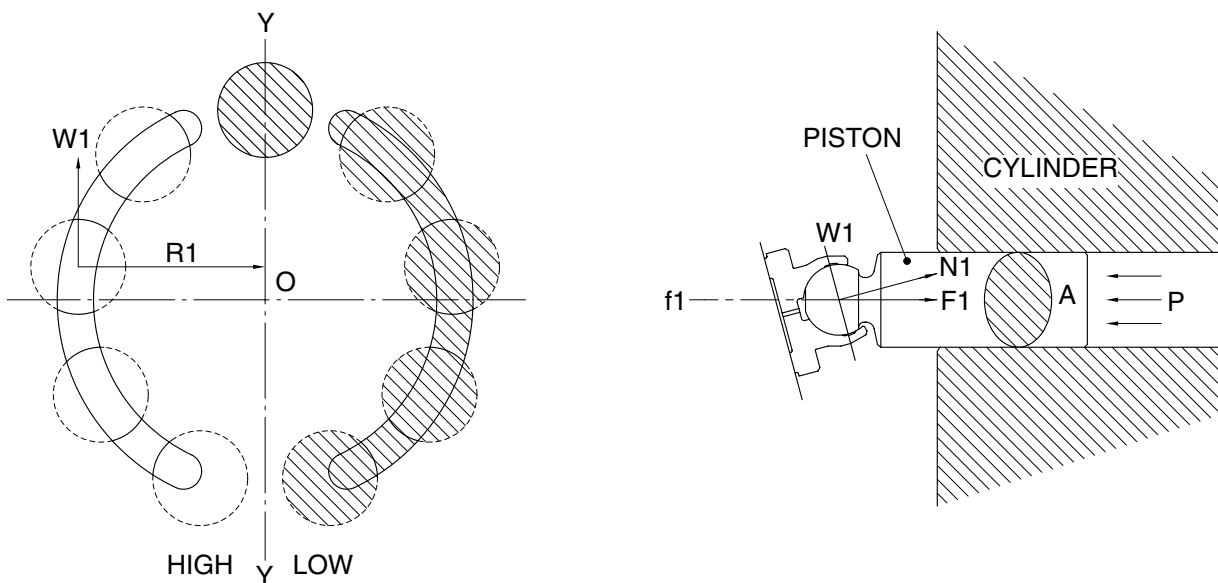
The high hydraulic can generate the force, $F1 = P \times A$ (P : supplied pressure, A : water pressure area), like following pictures, working on a piston.

This force, $F1$, is divided as $N1$ thrust partial pressure and $W1$ radial partial pressure, in case of the plate of a tilt angle, α .

$W1$ generates torque, $T = W1 \times R1$, for Y-Y line connected by the upper and lower sides of the piston as following pictures.

The sum of torque ($\sum W1 \times R1$), generated from each piston (4~5 pieces) on the side of a high hydraulic, generates the turning force.

This torque transfers the turning force to a cylinder (9) through a piston; because a cylinder is combined with a turning axis and spline, a turning axis rotates and a turning force is sent.



14072NEWSM03

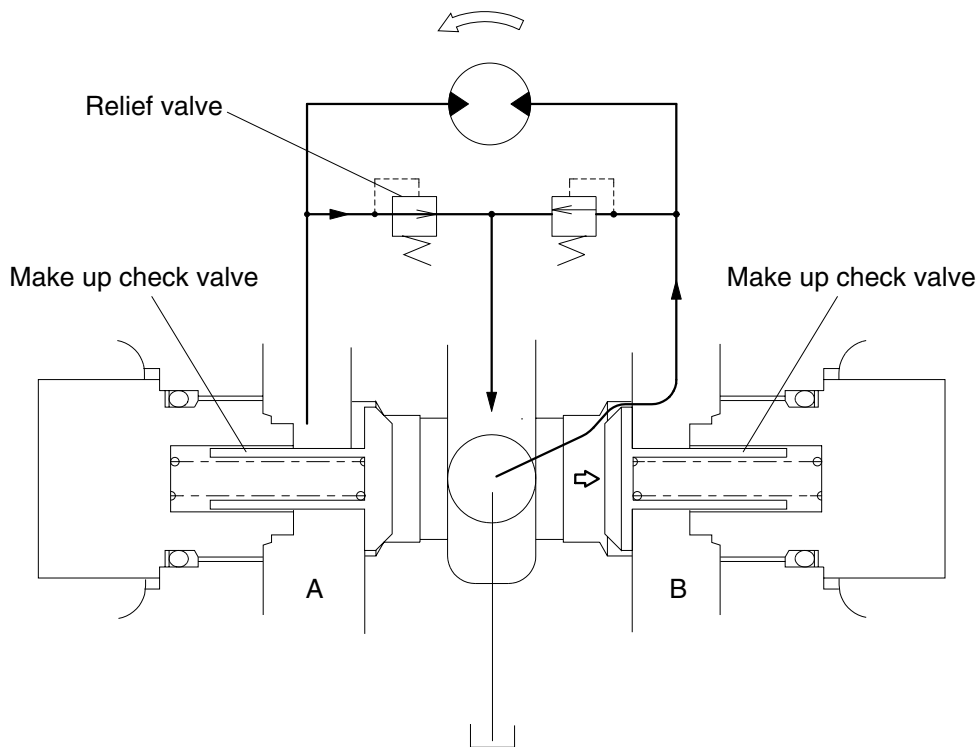
2) MAKE UP VALVE

In the system using this type of motor, there is no counter balance functioning valve and there happens the case of revolution exceeding hydraulic supply of motor. To prevent the cavitation caused by insufficient oil flow there is a make up valve to fill up the oil insufficiency.

A make up valve is provided immediately before the port leading to the hydraulic oil tank to secure feed pressure required when the hydraulic motor makes a pumping action. The boost pressure acts on the hydraulic motor's feed port via the make up valve.

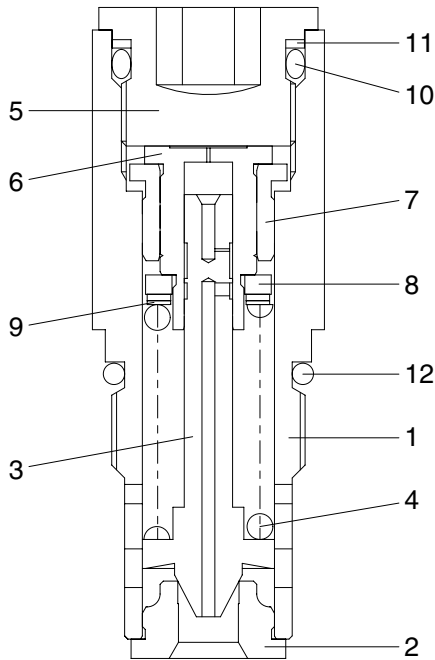
Pressurized oil into the port B, the motor rotate counterclockwise.

If the plunger of MCV moves neutral position, the oil in the motor is drain via left relief valve, the drain oil run into motor via right make up valve, which prevent the cavitation of motor.



21092SM04

3) RELIEF VALVE



- 1 Body
- 2 Seat
- 3 Plunger
- 4 Spring
- 5 Adjusting screw
- 6 Piston
- 7 Bushing
- 8 Spring seat
- 9 Shim
- 10 O-ring
- 11 Back up ring
- 12 O-ring

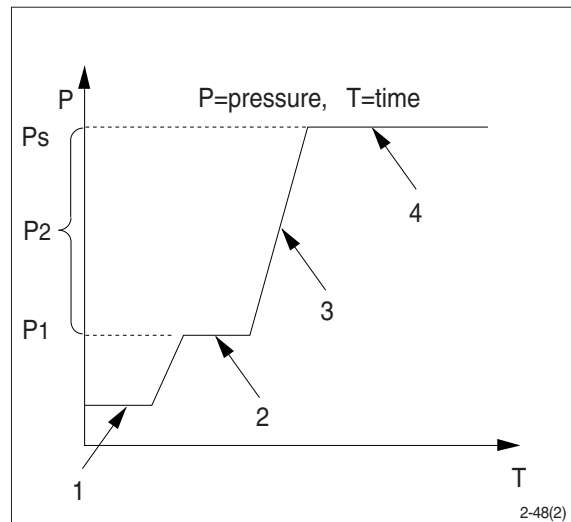
14007A2SM05

(1) Construction of relief valve

The valve casing contains two cartridge type relief valves that stop the regular and reverse rotations of the hydraulic motor. The relief valves relieve high pressure at start or at stop of swing motion and can control the relief pressure in two steps, high and low, in order to insure smooth operation.

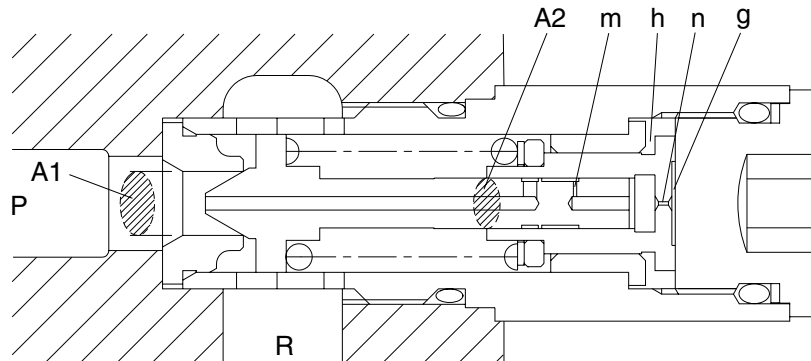
(2) Function of relief valve

Figure illustrates how the pressure acting on the relief valve is related to its rising process. Here is given the function, referring to the figure following page.



2-48(2)

① Ports (P,R) at tank pressure.

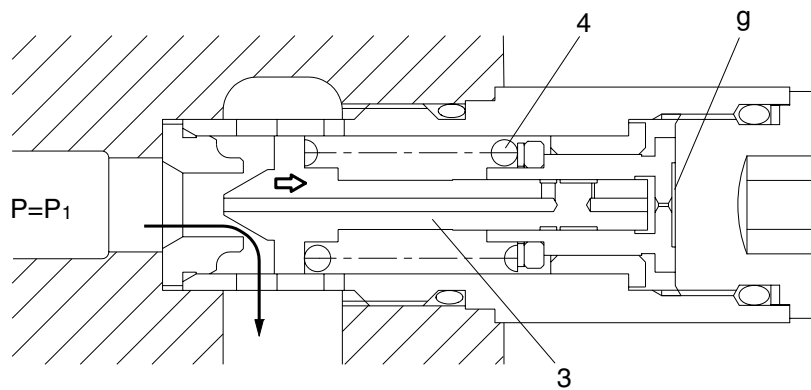


14007A2SM06

② When hydraulic oil pressure ($P \times A_1$) reaches the preset force (F_{SP}) of spring (4), the plunger (3) moves to the right as shown.

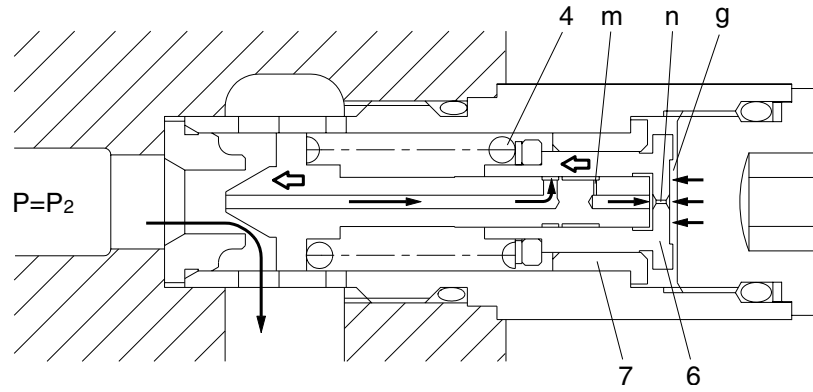
$$P_1 \times A_1 = F_{SP} + P_g \times A_2$$

$$P_1 = \frac{F_{SP} + P_g \times A_2}{A_1}$$



14007A2SM07

- ③ The oil flow chamber g via orifice m and n. When the pressure of chamber g reaches the preset force (F_{SP}) of spring (4), the piston (6) moves left and stop the piston (6) hits the bottom of bushing (7).

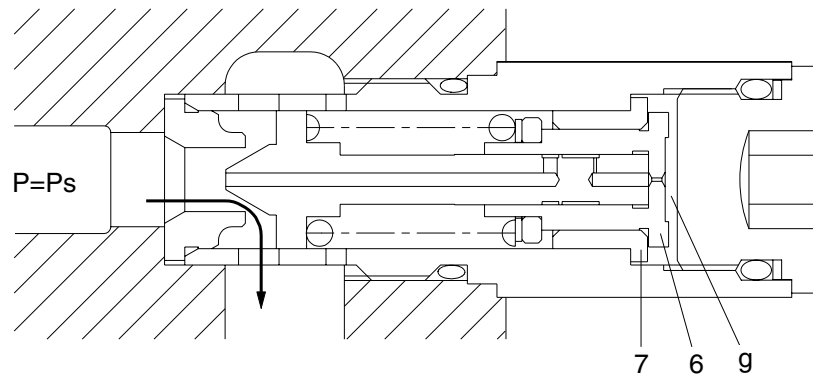


14007A2SM08

- ④ When piston (6) hits the bottom of bushing (7), it stops moving to the left any further. As the result, the pressure in chamber (g) equals (P_s).

$$P_s \times A_1 = F_{sp} + P_s \times A_2$$

$$P_s = \frac{F_{sp}}{A_1 - A_2}$$



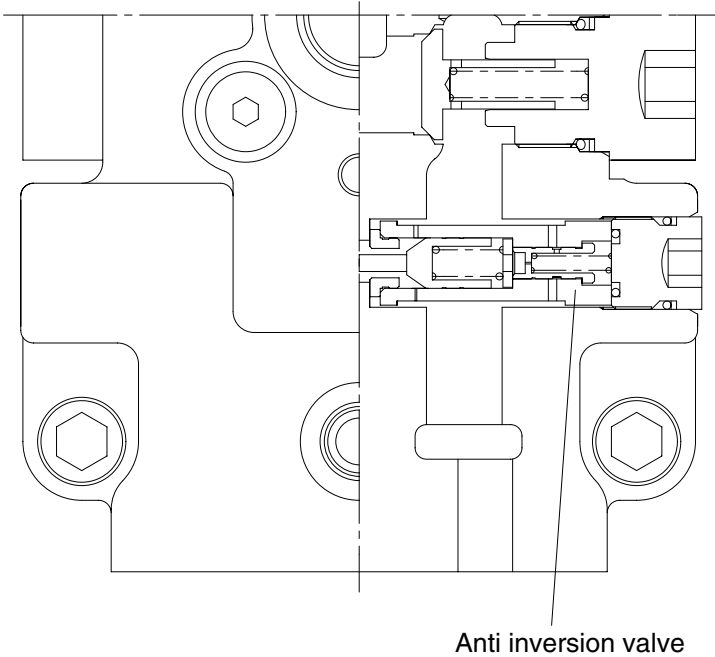
14007A2SM09

4) ANTI-INVERSION VALVE

In the event of swing motor operates switch part to drive and stop the swing part. By the action of pump on motor, there is brake on both-side of port because of the block on both sides.

Swing part is stopped by pressure of brake (in order words, 4-5 times of inversion)

Under the operating condition, the side of anti-inversion blocks off both ports but bypassing compressed oil which is blocked in processing of anti-inversion fixed time and amount to inverse port, prevent increasing pressure of motor and decrease inversing action.



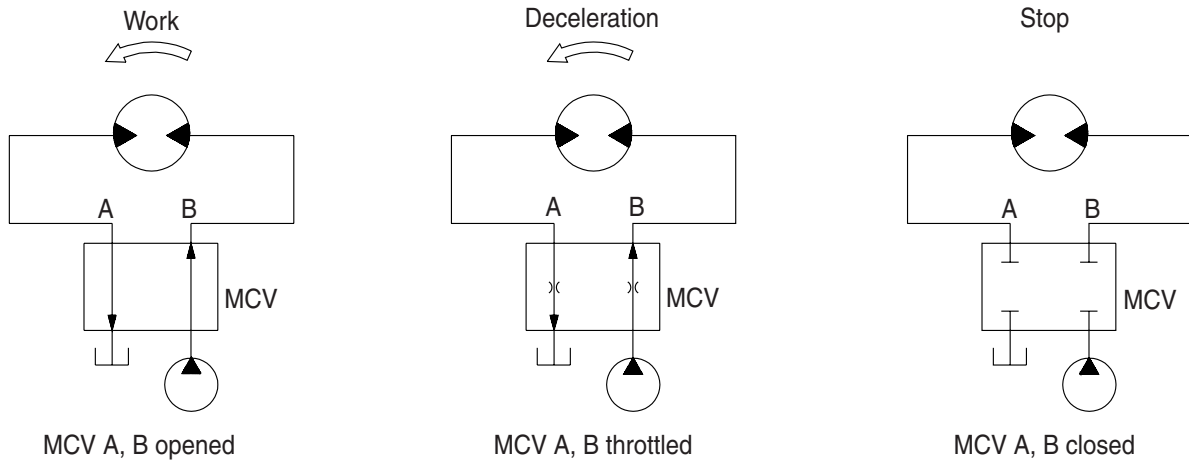
14W92SM10

5) BRAKE SYSTEM

(1) Control valve swing brake system

This is the brake system to stop the swing motion of the excavator during operation.

In this system, the hydraulic circuit is throttled by the swing control valve, and the resistance created by this throttling works as a brake force to slow down the swing motion.



2-48(1)

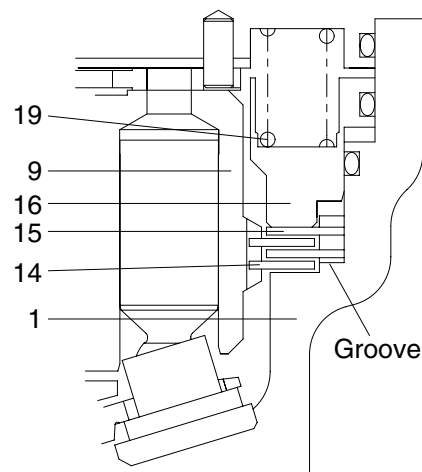
(2) Mechanical swing parking brake system

This is function as a parking brake only when all of the RCV lever (except travel pedal) are not operated.

① Brake assembly

Circumferential rotation of separate plate (15) is constrained by the groove located at housing (1). When housing is pressed down by brake spring (19) through friction plate (14), separate plate (15) and brake piston (16), friction force occurs there.

Cylinder block (9) is constrained by this friction force and brake acts, while brake releases when hydraulic force exceeds spring force.

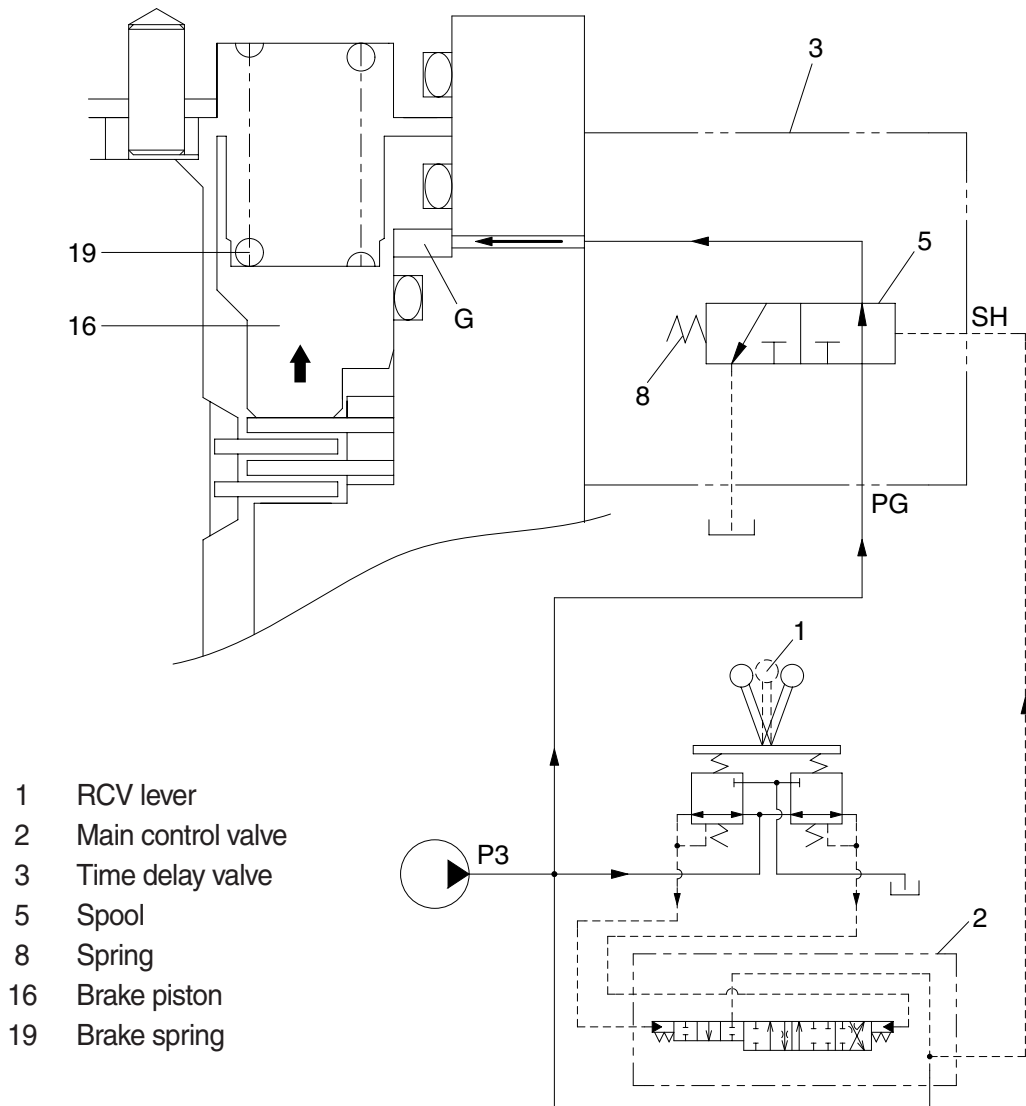


14W92SM15

1	Housing	15	Separate plate
9	Cylinder block	16	Brake piston
14	Friction plate	19	Spring

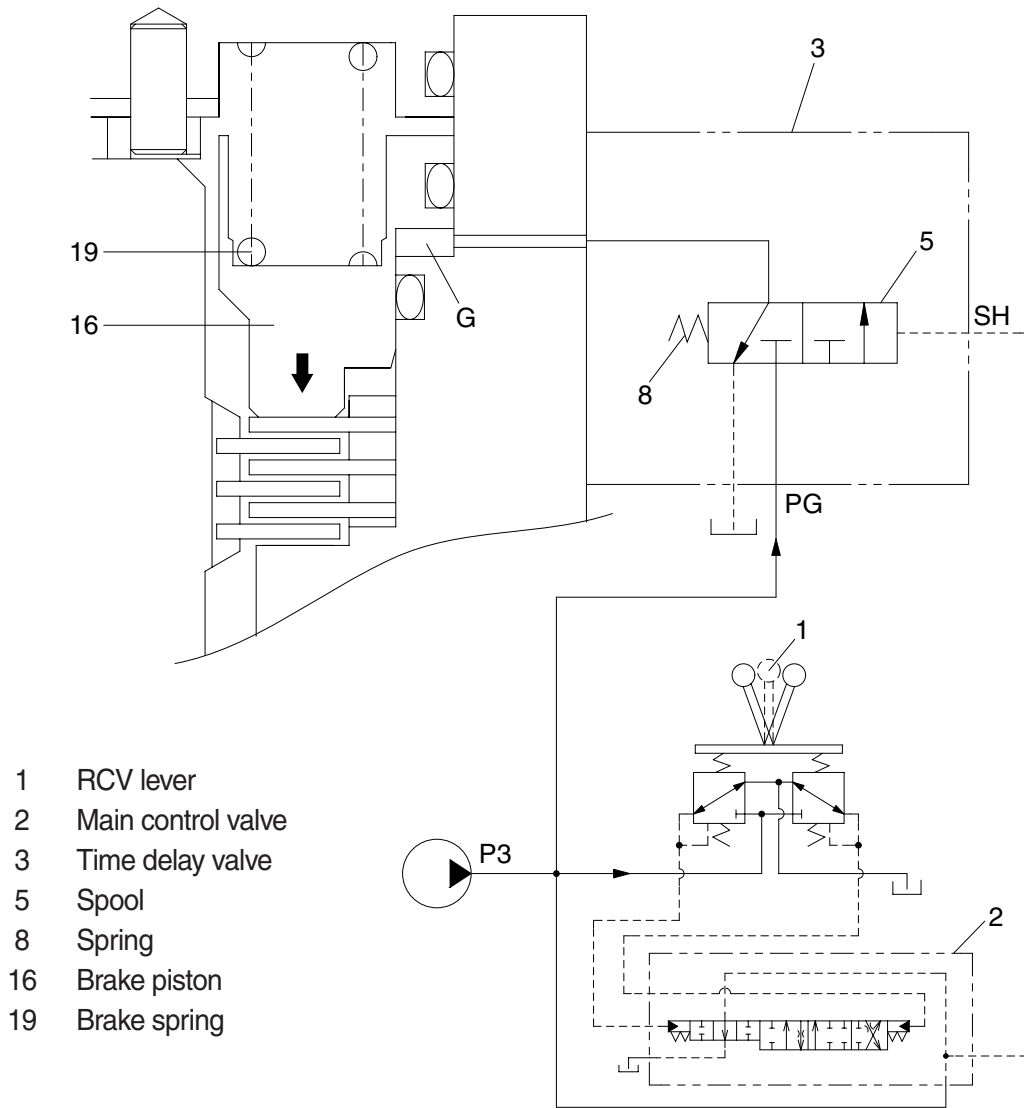
② **Operating principle**

- a. When one of the RCV lever (1) is set to the operation position, the each spool is shifted to left or right and the pilot oil flow is blocked. Then the pilot oil go to SH of the time delay valve (3). This pressure moves spool (5) to the leftward against the force of the spring(8), so pilot pump charged oil (P3) goes to the chamber G through port PG. This pressure is applied to move the piston (16) to the upward against the force of the spring (19). Thus, it releases the brake force.



14W92SM16

- b. When all of the RCV lever (1) are set the neutral position, the spool (5) returns to right. Then, the piston (16) is moved lower by spring force and the return oil from the chamber G flows back to tank port. At this time, the brake works.



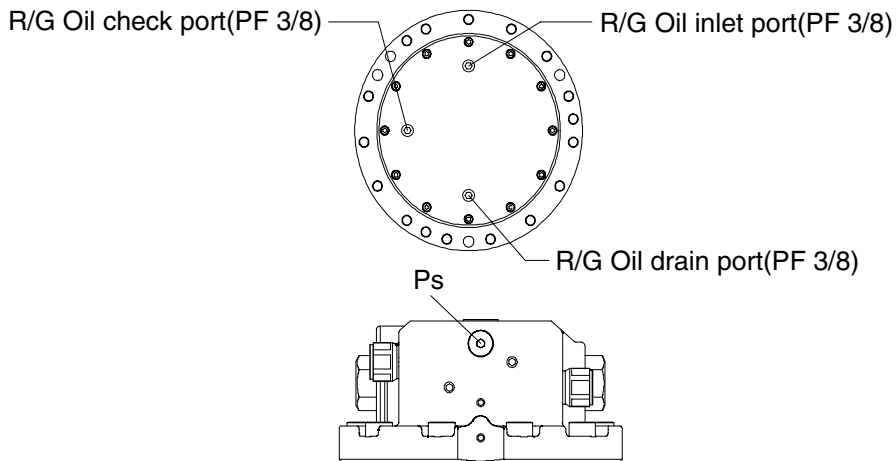
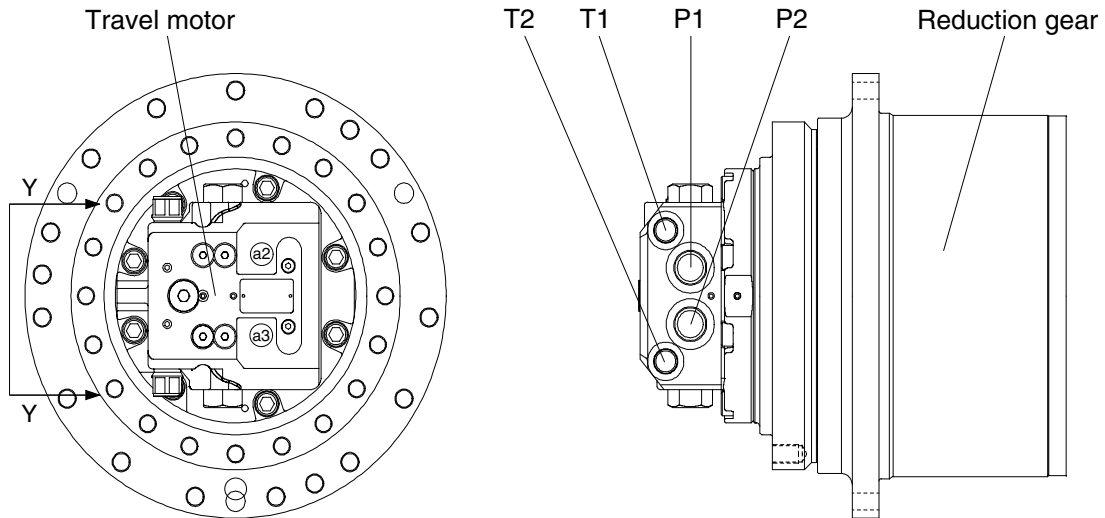
14W92SM17

GROUP 4 TRAVEL DEVICE

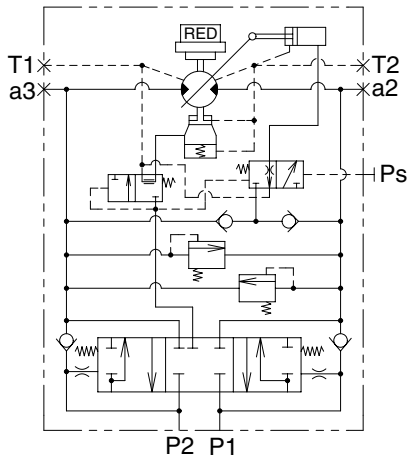
1. CONSTRUCTION

Travel device consists travel motor and gear box.

Travel motor includes brake valve, parking brake and high/low speed changeover mechanism.



VIEW Y

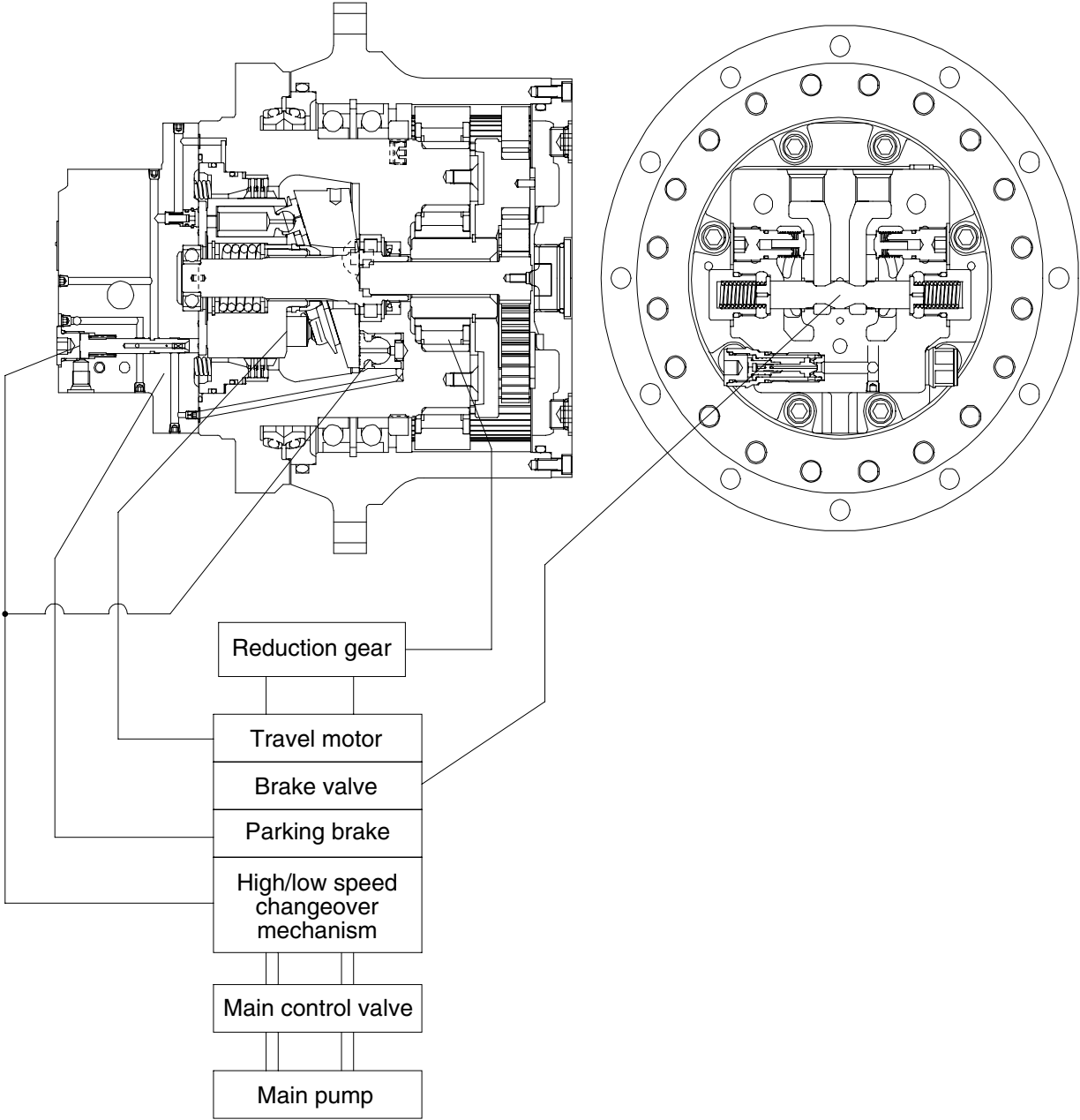


Hydraulic circuit

14092TM01A

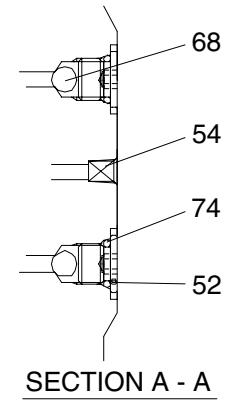
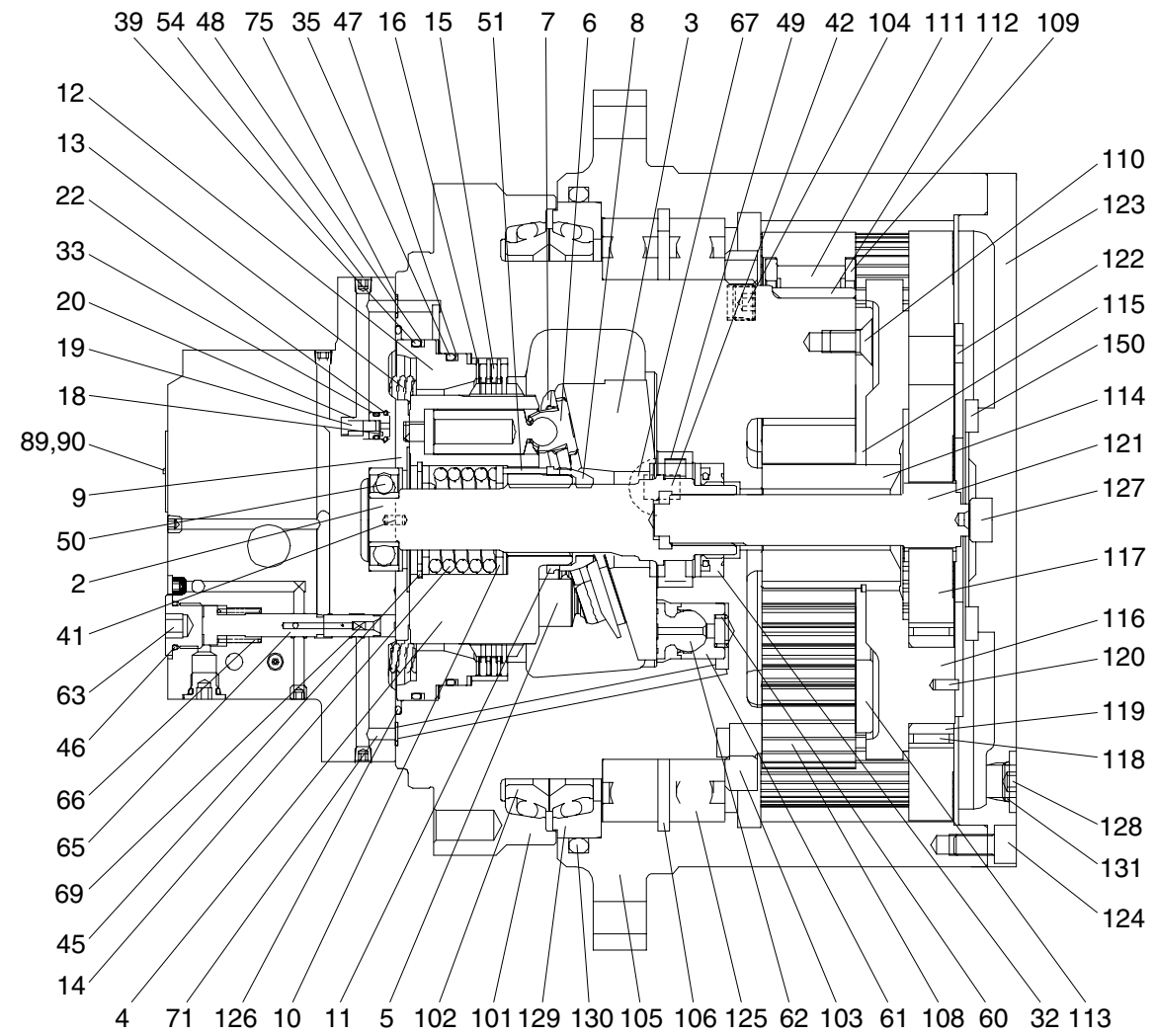
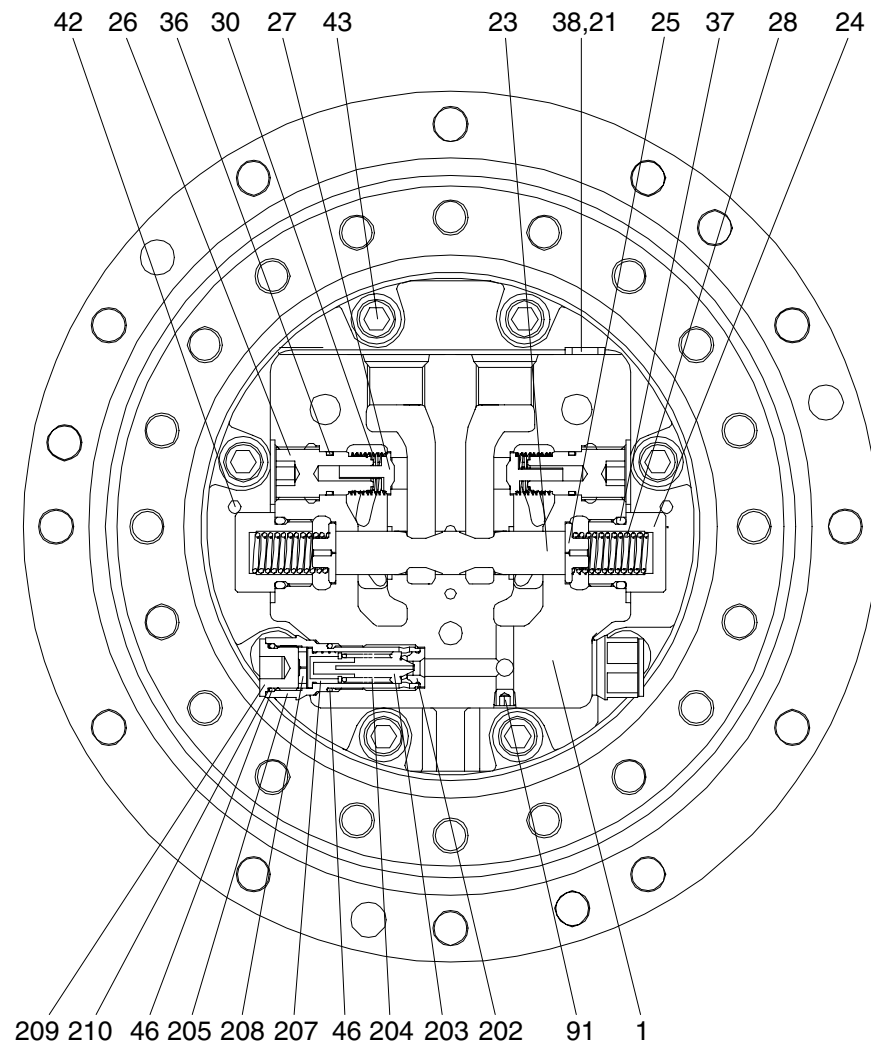
Port	Port name	Port size
P1	Main port	PF 3/4
P2	Main port	PF 3/4
a2, a3	Gauge port	PF 1/4
T1, T2	Drain port	PF 1/2
Ps	Parking brake release port	PF 1/4

1) BASIC STRUCTURE



14092TM02

2) STRUCTURE



- | | | | | | |
|-------------------|--------------------|-------------------|-------------------|--------------------|---------------------|
| 1 Rear flange | 19 Valve | 39 O-ring | 65 2 Speed spool | 108 Planetary gear | 125 Angular bearing |
| 2 Shaft | 20 Spring | 41 Parallel pin | 66 2 Speed spring | 109 Thrust washer | 126 O-ring |
| 3 Swash plate | 21 Plug | 42 Parallel pin | 67 Pivot | 110 Screw | 127 Thrust washer |
| 4 Cylinder block | 22 Ring | 43 Socket bolt | 68 Steel ball | 111 Needle bearing | 128 Plug |
| 5 Piston | 23 Main spool | 45 Snap ring | 69 Set screw | 112 Collar | 129 Seal ring |
| 6 Shoe | 24 Main plug | 46 O-ring | 71 Orifice | 113 Thrust plate | 130 O-ring |
| 7 Retainer plate | 25 Retainer spring | 47 Back up-ring | 74 O-ring | 114 Sun gear | 131 O-ring |
| 8 Thrust ball | 26 Check plug | 48 Back up-ring | 75 O-ring | 115 Snap ring | 150 Thrust plate |
| 9 Timing plate | 27 Check valve | 49 Roller bearing | 89 Name plate | 116 Holder | 205 Body |
| 10 Washer | 28 Main spring | 50 Ball bearing | 90 Set screw | 117 Planetary gear | 206 Shim |
| 11 Washer-collar | 30 Check spring | 51 Roller | 91 Plug | 118 Needle bearing | 207 Piston |
| 12 Piston-parking | 32 Oil seal | 52 Plug | 101 Spindle | 119 Inner race | 208 Rod |
| 13 Spring | 33 O-ring | 54 Plug | 102 Floating seal | 120 Spring pin | 209 Plug |
| 14 Spring | 35 O-ring | 60 Spring | 103 Nut ring | 121 Drive gear | 210 Back up-ring |
| 15 Friction plate | 36 O-ring | 61 Piston | 104 Plug | 122 Thrust plate | |
| 16 Mating plate | 37 O-ring | 62 Shoe | 105 Hub | 123 Cover | |
| 18 Seat valve | 38 O-ring | 63 Plug | 106 Snap ring | 124 Socket bolt | |

14092TM03

2. HYDRAULIC MOTOR ASSEMBLY

With brake valve, parking brake and high/low speed changeover mechanism.

1) FUNCTION

(1) Hydraulic motor

This hydraulic motor is a swash plate type piston motor and converts the force of pressurized oil delivered from the pump into a rotational movement.

(2) Brake valve

This brake valve is incorporated in the hydraulic motor assembly and has the following four functions.

- ① Smoothly brakes and stops the motor by controlling inertial rotation of the motor due to inertia of the main body.
- ② Check valve function to prevent cavitation of the hydraulic motor.
- ③ Relief valve function to control the brake pressure of hydraulic motor and anti-cavitation valve function to prevent cavitation.
- ④ Opens a port which releases the parking brake force upon running of the motor and closes the upon stopping.

(3) Parking brake

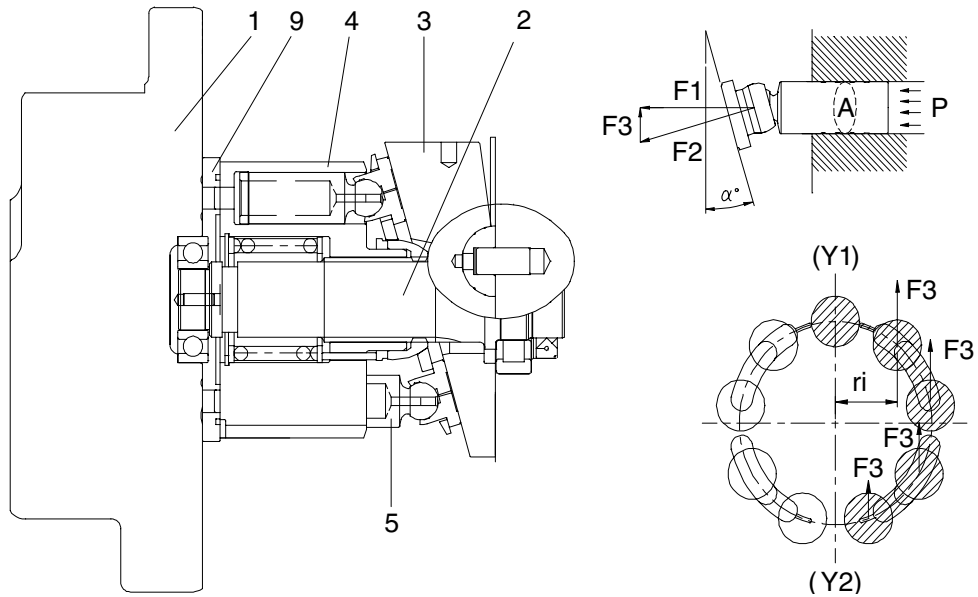
The parking brake prevents overrunning or slippage upon parking or stopping the machine on a slope with friction plate type brake mechanism, and combined with the hydraulic motor assembly into an integral structure.

(4) High/low speed changeover mechanism

This mechanism changes over the tilt angle of swash plate between high-speed/low-torque rotation and low-speed/high-torque rotation with the changeover valve and control piston.

2) OPERATING PRINCIPLE

(1) Hydraulic motor



14092TM05

The pressurized oil delivered from the hydraulic pump flows to rear flange (1) of the motor, passes through the brake valve mechanism and is introduced into cylinder block (4) via timing plate (9). This oil constructively introduced only to one side of (Y1) - (Y2) connecting the upper and lower dead points of stroke of piston (5). The pressurized oil fed to one side in cylinder block (4) pushes each piston (5) (four or five) and generates a force ($F \text{ kgf} = P \text{ kgf/cm}^2 \times A \text{ cm}^2$). This force acts on swash plate (3) and is resolved into components (F2 and F3) because swash plate (3) is fixed at an angle (α°) with the axis of drive shaft (2). Radial component (F3) generates respective torques ($T = F3 \times r_i$) for (Y1) - (Y2). This residual of torque ($T = S (F3 \times r_i)$) rotates cylinder block (4) via piston (5). Cylinder block (4) is spline coupled with drive shaft (2). So the drive shaft (2) rotates and the torque is transmitted.

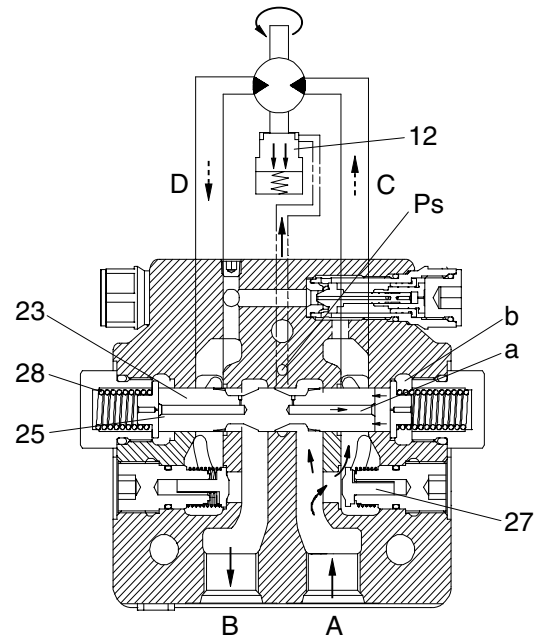
(2) Brake valve

① Brake released

When the pressurized oil supplied from port (A), the oil opens valve (27) and flows into port (C) at the suction side of hydraulic motor to rotate motor.

At the same time, the pressurized oil passes through pipe line (a) from a small hole in spool (23) and flow into chamber (b). The oil acts on the end face of spool (23) which is put in neutral position by the force of spring (28), thus causing spool (23) to slide to the left. When spool (23) slides, port (D) on the passage return side of hydraulic motor, which is closed by the spool groove during stoppage, communicates with port (B) at the tank side and the return oil from the hydraulic motor runs into the tank. In consequence, the hydraulic motor rotates.

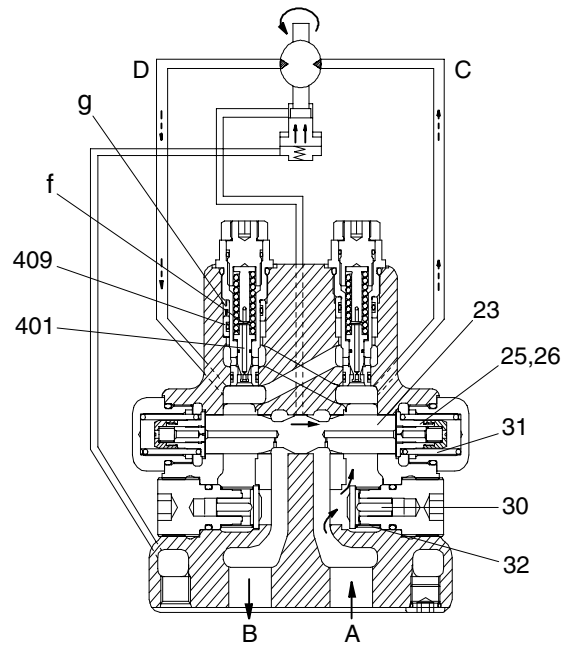
Moreover, sliding of spool (23) causes the pressurized oil to flow into ports (P) and (S). The pressurized oil admitted into port (P) activates piston (12) of the parking brake to release the parking brake force. (For details, refer to description of the parking brake.) When the pressurized oil is supplied from port (B), spool (23) and valve (27) move reversely and the hydraulic motor also rotates reversely.



14092TM06

② Stopping and stalling (brake applied)

When the pressurized oil supplied from port (A) is stopped during traveling, no hydraulic pressure is applied and spool (23) which has slid to the left will return on the right (neutral) via stopper (25, 26) by the force of spring (31). At the same time, the hydraulic motor will rotate by the inertia even if the pressurized oil stopped, so the port (D) of the motor will become high pressure. This pressurized oil goes from chamber (f) to chamber (g) through the left-hand valve (401). When the oil enters chamber (g), the piston (409) slides to the right so as not to rise the pressure, as shown in the figure. Meanwhile, the left-hand valve (401) is pushed open by the pressurized oil in port (D). Therefore, the pressurized oil in port (D) flows to port (C) at a relatively low pressure, controlling the pressure in port (D) and preventing cavitation in port (C). When the piston (409) reaches the stroke end, the pressure in chamber (g) and (f) increase and the left-hand valve (401) closes again, allowing the oil pressure in port (D) to increase further. Then, the right-hand valve opens port (C) with pressure higher than that machine relief set pressure. In this way, by controlling the pressure in port (D) in two steps, the hydraulic motor is smoothly braked and to a stop.

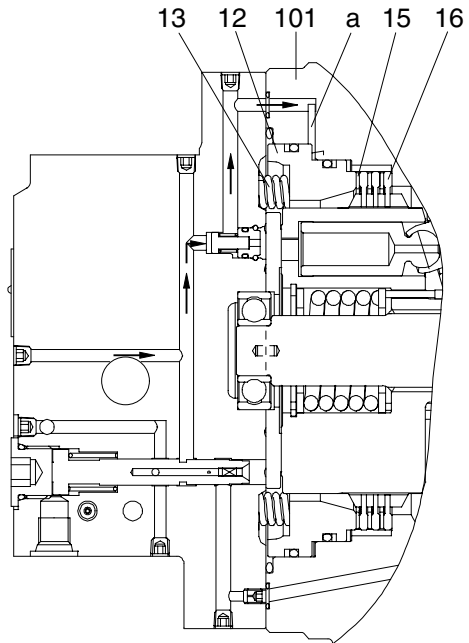


25092TM07

(3) Parking brake

① Running

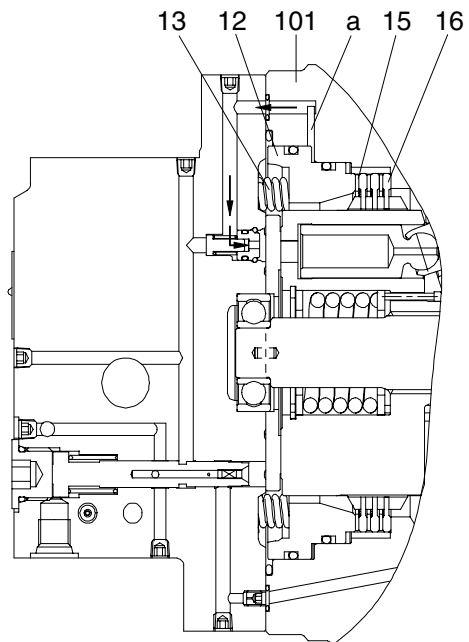
When the pressurized oil is supplied from the valve, the spool of brake valve in the hydraulic motor assembly actuates to open the passage to the parking brake and the pressurized oil is introduced into cylinder chamber (a) which is composed of the spindle of reduction gear assembly and piston (12). When the hydraulic pressure reaches 9.5 kgf/cm^2 or more, it overcomes the force of spring (13) and shifts piston (12). With shift of piston (12), no pressing force is applied to mating plate (16) and friction plate (15) and movement of friction plate (15) becomes free. Whereby the brake force to the cylinder in the hydraulic motor assembly is released.



14092TM08

② Stopping

When the pressurized oil from the brake valve is shut off and the pressure in cylinder chamber (a) drops 9.5 kgf/cm^2 or less, piston (12) will return by the force of spring (13). Piston (12) is pushed by this force of spring (13), and mating plate (16) and friction plate (15) in free condition are pressed against the spindle of reduction gear assembly. The friction force produced by this pressing stops rotation of the cylinder and gives a braking torque $19.7 \text{ kgf} \cdot \text{m}$ to the hydraulic motor shaft. Note that oil control through a proper oil passage ensures smooth operation.

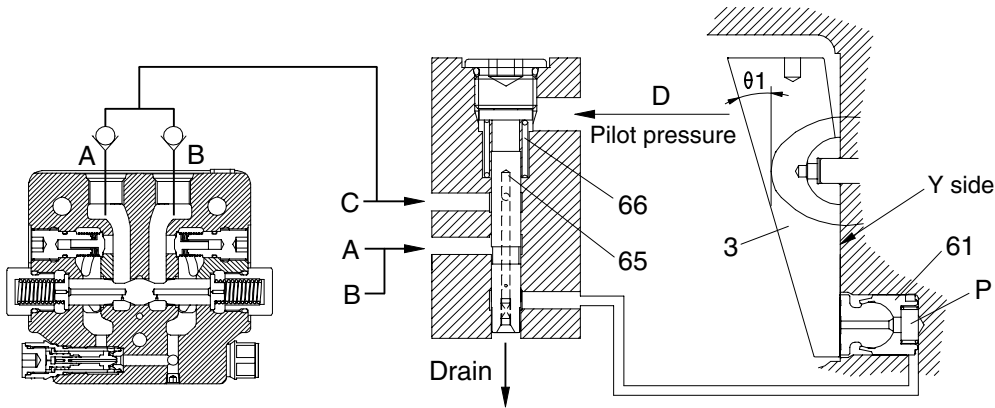


14092TM09

(4) High/low speed changeover mechanism

① At low speed - pilot pressure of less than 10 kgf/cm²

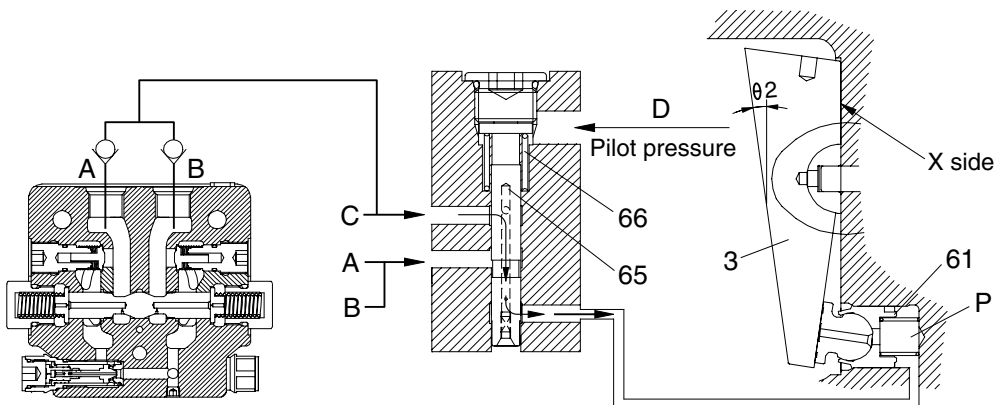
When no pilot pressure is supplied from (D) (at a pressure of 10 kgf/cm² or less), valve (65) is pressed toward the top by the force of spring (66) and (A) port or (B) port, the pressurized oil supply port (C) is shut off, and oil in chamber (P) is released into the motor case via valve(65). Consequently, swash plate (3) is tilted at a maximum angle ($\theta 1$) and the piston displacement of hydraulic motor becomes maximum, thus leading to low-speed rotation.



14092TM10

② At high speed - pilot pressure of 10 kgf/cm² or more

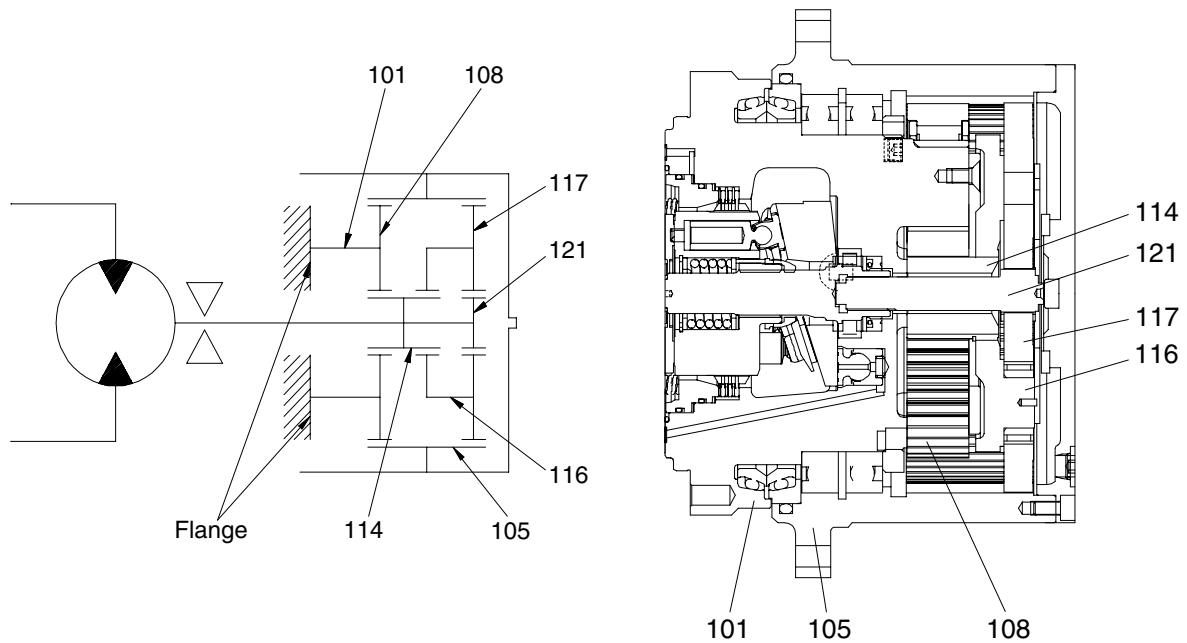
When a pilot pressure is supplied from port (D) (at a pressure of 20 kgf/cm² or more), the pressure overcomes the force of spring (66) and (A) port or (B) port of valve (65) is pressed toward the down. The pressurized oil at supply port (C) is then introduced into chamber (P) via valve (65). Piston (61) pushes up swash plate (3) until it touches side X of the spindle. At this time, swash plate (3) is tilted at a minimum angle ($\theta 2$) and the piston displacement of hydraulic motor becomes minimum, thus leading to high-speed rotation.



14092TM11

3. REDUCTION GEAR

1) The reduction gear is composed of a two-stage planetary gear mechanism shown in the following figure.



2) The rotating motion of the hydraulic motor is transmitted to drive gear (121) of 1st stage, and the drive gear rotate planetary gears (R, 117). Then planetary gears (R, 117) revolves inside fixed hub (105). This rotation becomes the output of 1st stage and is transmitted to carrier No.1 and sun gear (114). Similarly the revolution of planetary gears (F, 108) are transmitted to spindle (101). Then planetary gears (F, 108) do not revolve, but rotate to hub (105). Therefore, the rotating case is driven by the overall driving torque of hub (105).

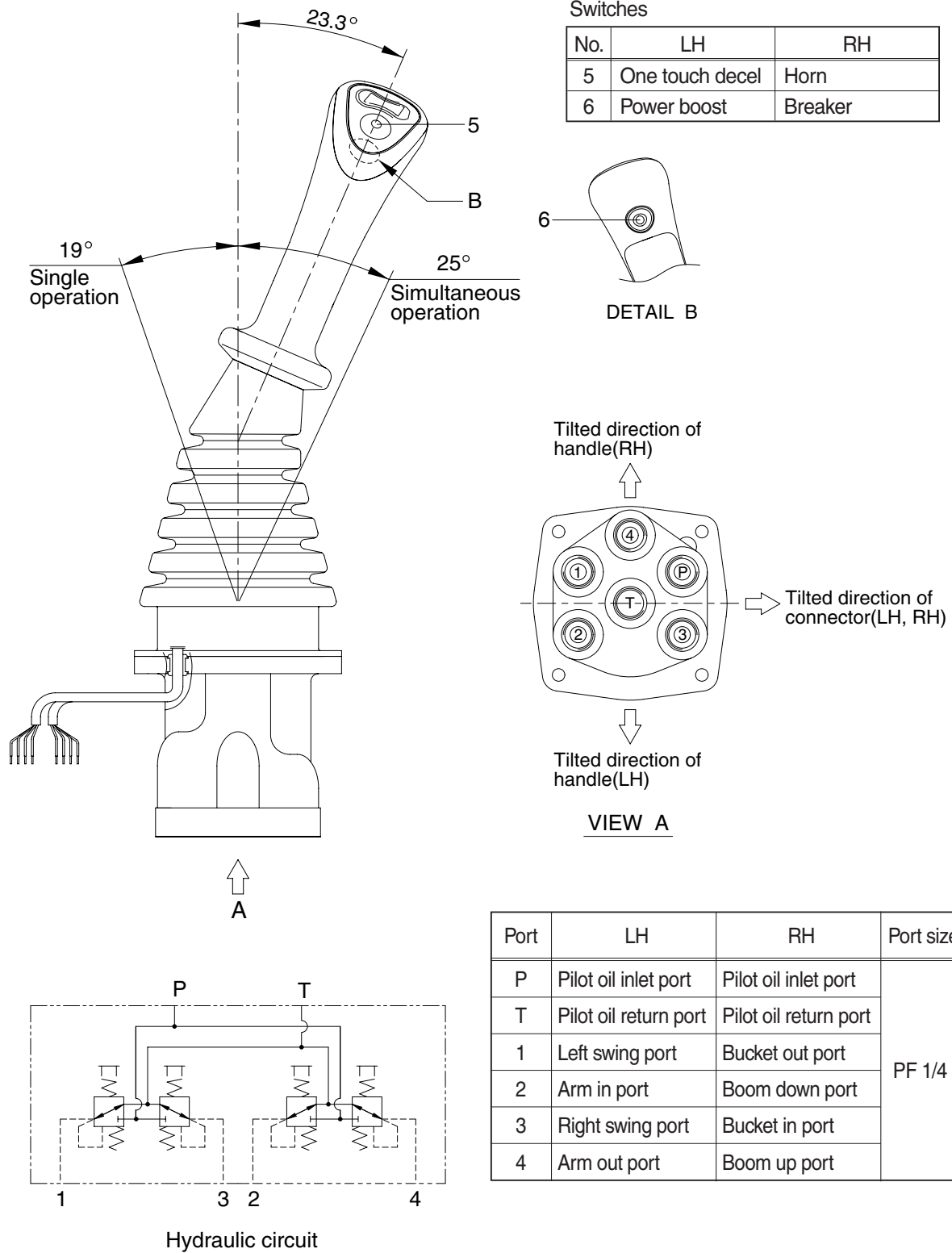
This reduction ratio is expressed as shown below :

$$\cdot \text{Reduction ratio (I)} = (\text{Hub teeth} / \text{Drive gear teeth} + 1) \times (\text{Hub teeth} / \text{Sun gear teeth} + 1) - 1$$

GROUP 5 RCV LEVER

1. STRUCTURE

The casing has the oil inlet port P (primary pressure) and the oil outlet port T (tank). In addition the secondary pressure is taken out through ports 1, 2, 3 and 4 provided at the bottom face.



21092RL01

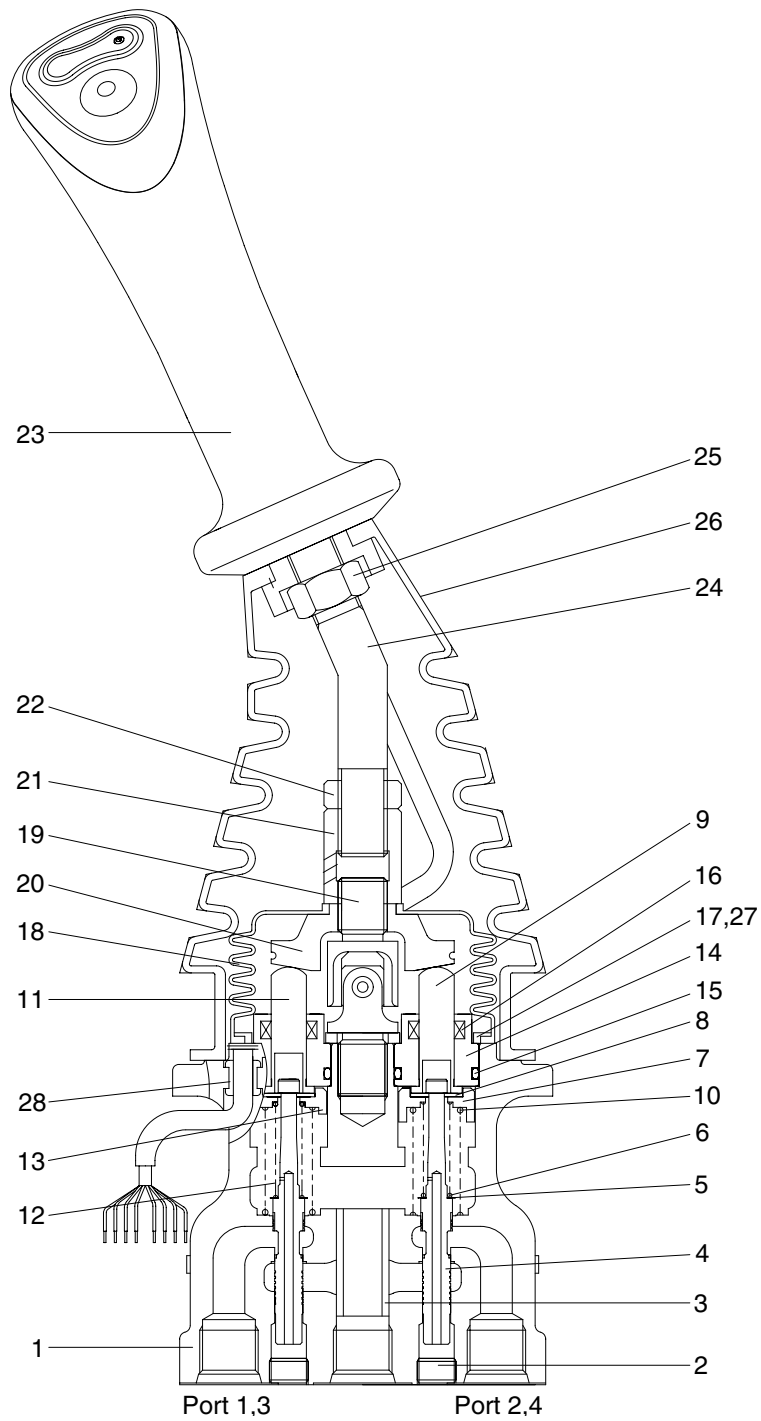
CROSS SECTION

The construction of the pilot valve is shown in the attached cross section drawing. The casing has vertical holes in which reducing valves are assembled.

The pressure reducing section is composed of the spool (4), spring (6) for setting secondary pressure, return spring (10), stopper (8), spring seat (7, 13) and shim (5). The spring for setting the secondary pressure has been generally so preset that the secondary pressure is 5 to 20.5 kgf/cm² (depending on the type). The spool is pushed against the push rod (9, 11) by the return spring.

When the push rod is pushed down by tilting the handle, the spring seat comes down simultaneously and changes setting of the secondary pressure spring.

CROSS SECTION



32092RL01

- | | | | |
|---------------|----------------|-------------------|--------------------|
| 1 Case | 8 Stopper | 15 O-ring | 22 Lock nut |
| 2 Plug | 9 Push rod | 16 Rod seal | 23 Handle assembly |
| 3 Bushing | 10 Spring | 17 Plate | 24 Handle bar |
| 4 Spool | 11 Push rod | 18 Boot | 25 Nut |
| 5 Shim | 12 Spring | 19 Joint assembly | 26 Boot |
| 6 Spring | 13 Spring seat | 20 Swash plate | 27 Spring pin |
| 7 Spring seat | 14 Plug | 21 Adjusting nut | 28 Bushing |

2. FUNCTIONS

1) FUNDAMENTAL FUNCTIONS

The pilot valve is a valve that controls the spool stroke, direction, etc of a main control valve. This function is carried out by providing the spring at one end of the main control valve spool and applying the output pressure (secondary pressure) of the pilot valve to the other end.

For this function to be carried out satisfactorily, the pilot valve is composed of the following elements.

- (1) Inlet port (P) where oil is supplied from hydraulic pump.
- (2) Output ports (1, 2, 3 & 4) to apply pressure supplied from inlet port to ends of control valve spools.
- (3) Tank port (T) necessary to control the above output pressure.
- (4) Spool to connect output port to inlet port or tank port.
- (5) Mechanical means to control output pressure, including springs that work on the above spools.

2) FUNCTIONS OF MAJOR SECTIONS

The functions of the spool (4) are to receive the supply oil pressure from the hydraulic pump at its port P, and to change over oil paths to determine whether the pressure oil of port P is led to output ports 1, 2, 3 & 4 or the output port pressure oil to tank port T.

The spring (6) works on this spool to determine the output pressure.

The change the deflection of this spring, the push rod (9,11) is inserted and can slide in the plug (14).

For the purpose of changing the displacement of the push rod through the swash plate (20) and adjusting nut (21) are provided the handle (23) that can be tilted in any direction around the fulcrum of the universal joint (19) center.

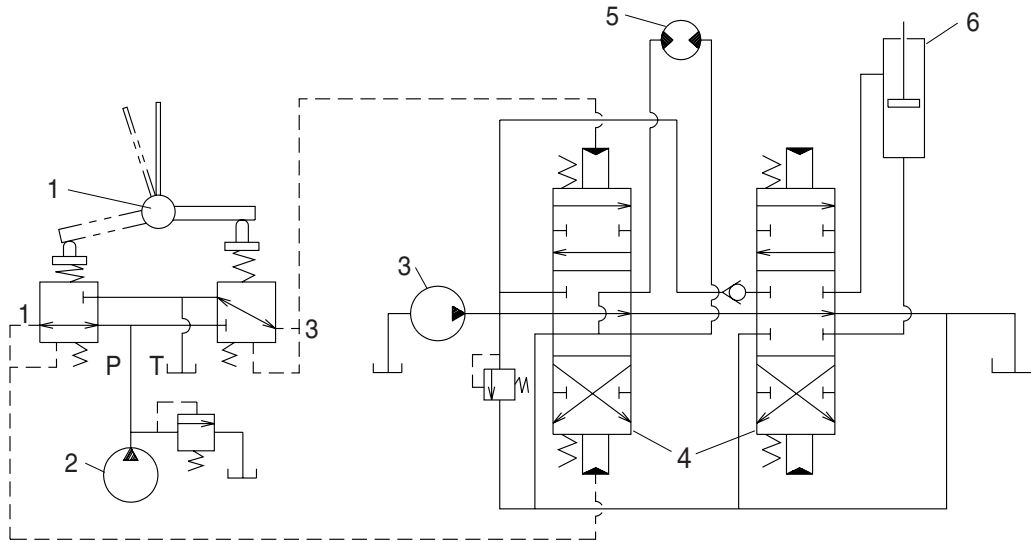
The spring (10) works on the case (1) and spring seat (7, 13) and tries to return the push rod (9,11) to the zero-displacement position irrespective of the output pressure, securing its resetting to the center position.

This also has the effect of a reaction spring to give appropriate control feeling to the operator.

3) OPERATION

The operation of the pilot valve will be described on the basis of the hydraulic circuit diagram shown below and the attached operation explanation drawing.

The diagram shown below is the typical application example of the pilot valve.



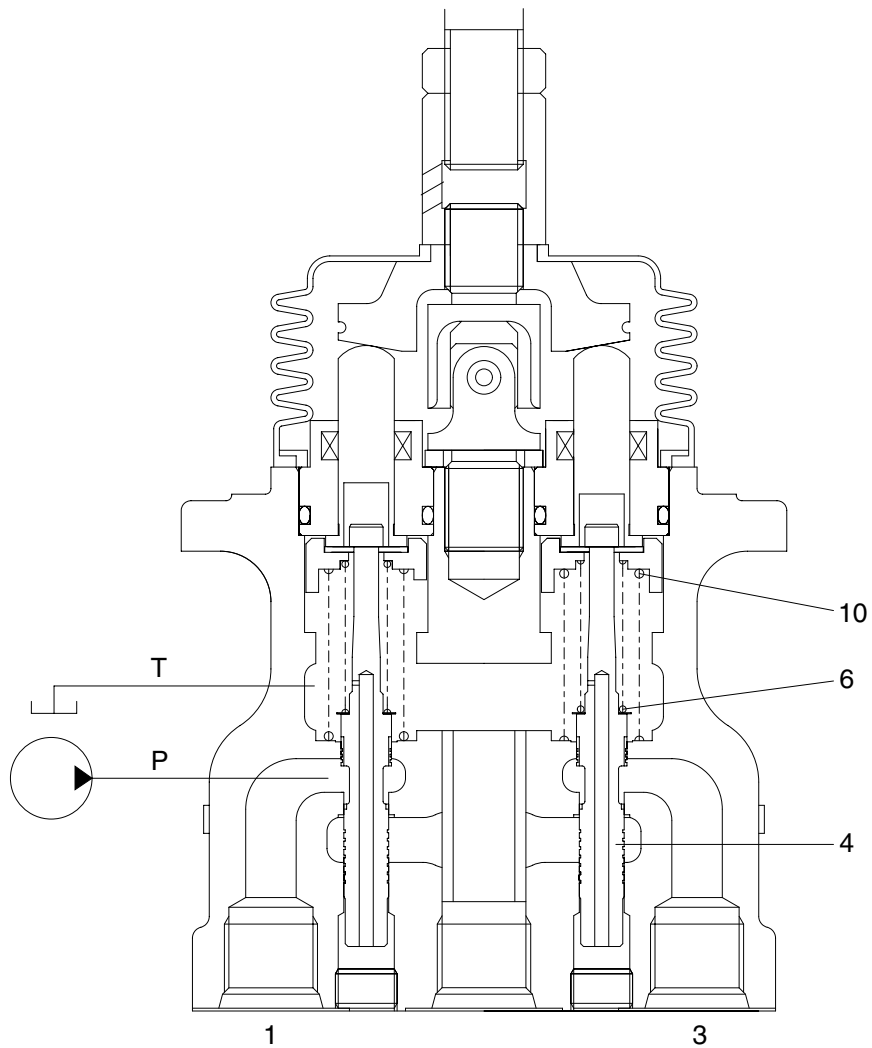
2-70

- 1 Pilot valve
- 2 Pilot pump

- 3 Main pump
- 4 Main control valve

- 5 Hydraulic motor
- 6 Hydraulic cylinder

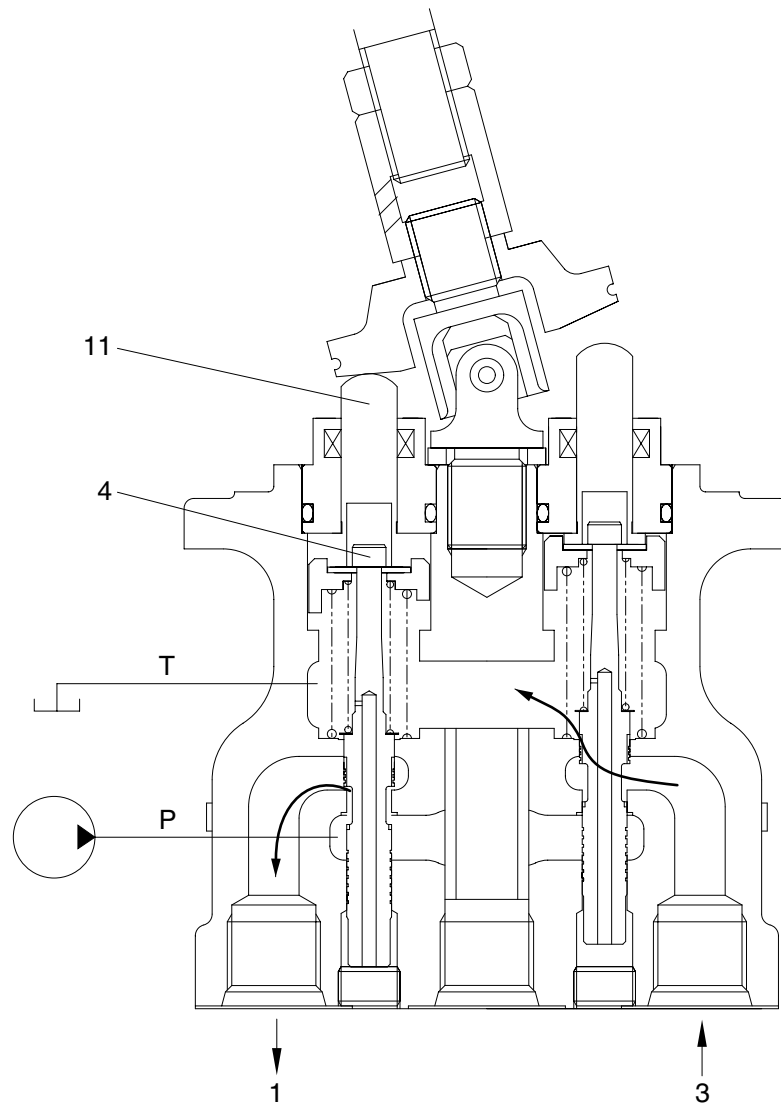
(1) Case where handle is in neutral position



21092RL03

The force of the spring (6) that determines the output pressure of the pilot valve is not applied to the spool (4). Therefore, the spool is pushed up by the spring (10) to the position of port (1, 3) in the operation explanation drawing. Then, since the output port is connected to tank port T only, the output port pressure becomes equal to tank pressure.

(2) Case where handle is tilted



21092RL04

When the push rod (11) is stroked, the spool (4) moves downwards.

Then port P is connected with port (1) and the oil supplied from the pilot pump flows through port (1) to generate the pressure.

When the pressure at port (1) increases to the value corresponding to the spring force set by tilting the handle, the hydraulic pressure force balances with the spring force. If the pressure at port (1) increases higher than the set pressure, port P is disconnected from port (1) and port T is connected with port (1). If it decreases lower than the set pressure, port P is connected with port (1) and port T is disconnected from port 1.

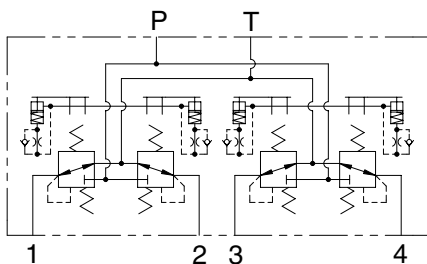
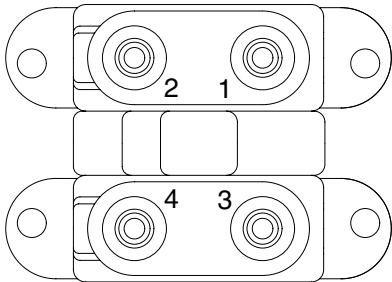
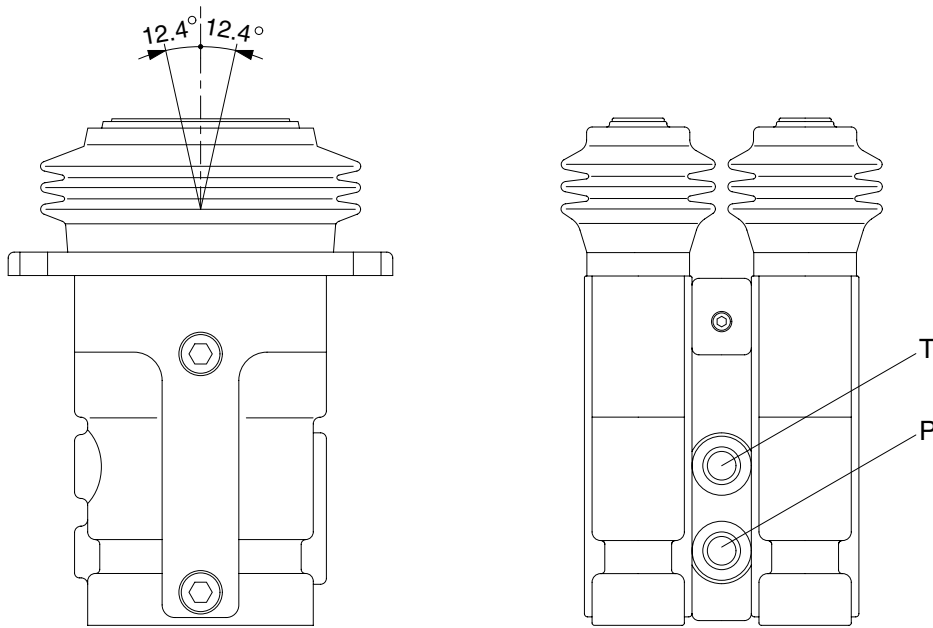
In this manner the secondary pressure is kept at the constant value.

Besides, in some type, when the handle is tilted more than a certain angle, the upper end of the spool contacts with the inside bottom of the push rod and the output pressure is left to be connected with port P.

GROUP 6 RCV PEDAL

1. STRUCTURE

The casing (spacer) has the oil inlet port P (primary pressure), and the oil outlet port T (tank). In addition the secondary pressure is taken out through ports 1, 2, 3 and 4 provided at the bottom face.



Hydraulic circuit

Port	Port	Port size
P	Pilot oil inlet port	PF 1/4
T	Pilot oil return port	
1	Travel (LH, Forward)	
2	Travel (LH, Backward)	
3	Travel (RH, Forward)	
4	Travel (RH, Backward)	

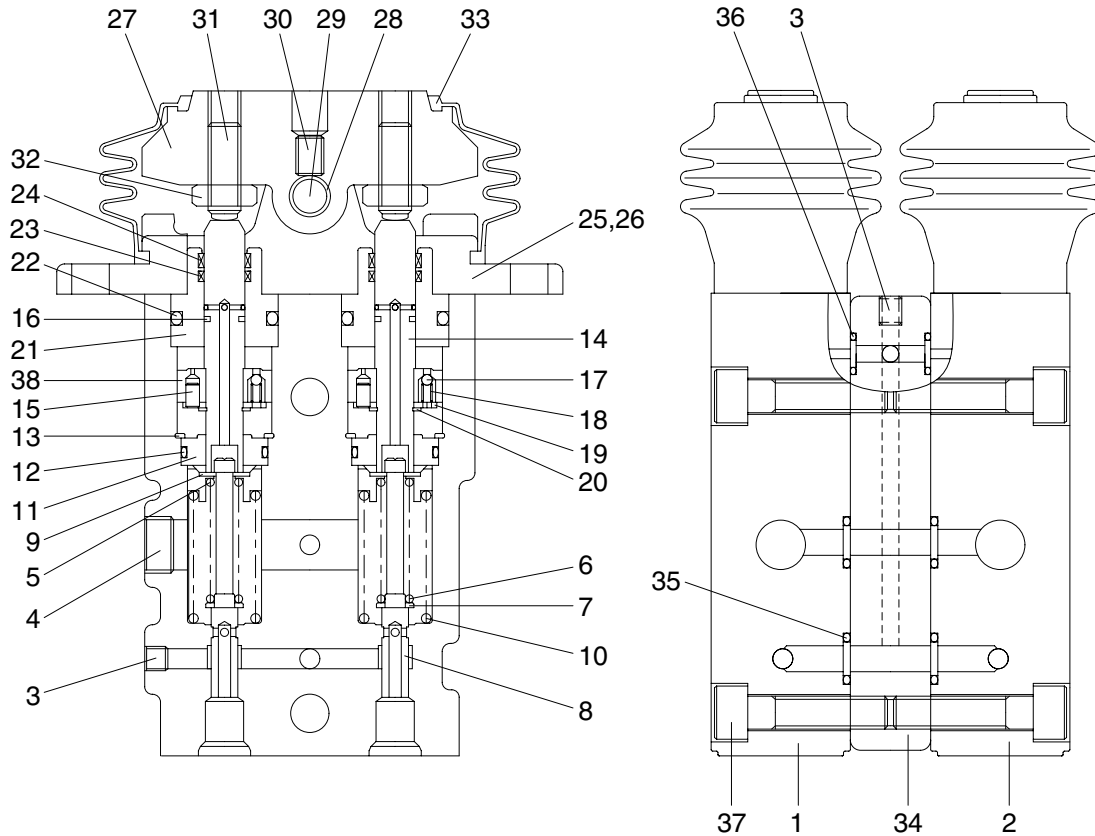
21092RP01

CROSS SECTION

The construction of the RCV pedal is shown in the below drawing. The casing has vertical holes in which reducing valves are assembled.

The pressure reducing section is composed of the spool (8), spring (6) for setting secondary pressure, return spring (10), stopper (9), and spring seat (7). The spring for setting the secondary pressure has been generally so preset that the secondary pressure is 5 to 19 kgf/cm² (depending on the type). The spool is pushed against the push rod (14) by the return spring.

When the push rod is pushed down by tilting pedal, the spring seat comes down simultaneously and changes setting of the secondary pressure spring.



21092RP02

1	Body(1)	14	Push rod	27	Cam
2	Body(2)	15	Spring pin	28	Bushing
3	Plug	16	Seal	29	Cam shaft
4	Plug	17	Steel ball	30	Set screw
5	Spring seat	18	Spring	31	Set screw
6	Spring	19	Plate	32	Nut
7	Spring seat	20	Snap ring	33	Bellows
8	Spool	21	Plug	34	Space
9	Stopper	22	O-ring	35	O-ring
10	Spring	23	Rod seal	36	O-ring
11	Rod guide	24	Dust seal	37	Socket bolt
12	O-ring	25	Cover	38	Piston
13	Snap ring	26	Socket bolt		

2. FUNCTION

1) FUNDAMENTAL FUNCTIONS

The pilot valve is a valve controls the spool stroke, direction, etc of a main control valve. This function is carried out by providing the spring at one end of the main control valve spool and applying the output pressure (secondary pressure) of the pilot valve to the other end.

For this function to be carried out satisfactorily, the pilot valve is composed of the following elements.

- (1) Inlet port (P) where oil is supplied from hydraulic pump.
- (2) Output port (1, 2, 3 & 4) to apply pressure supplied from inlet port to ends of control valve spools.
- (3) Tank port (T) necessary to control the above output pressure.
- (4) Spool to connect output port to inlet port tank port.
- (5) Mechanical means to control output pressure, including springs that work on the above spools.

2) FUNCTIONS OF MAJOR SECTIONS

The functions of the spool (8) are to receive the supply oil pressure from the hydraulic pump at its port P, and to change over oil paths to determine whether the pressure oil of port P is led to output ports 1, 2, 3 & 4 or the output spool to determine the output pressure.

The spring (6) works on this spool to determine the output pressure.

The change the deflection of this spring, the push rod (14) is inserted and can slide in the plug (21). For the purpose of changing th displacement of the push rod through the cam (27) and adjusting nut (32) are provided the pedal that can be tilted in any direction around the fulcrum of the cam (27) center.

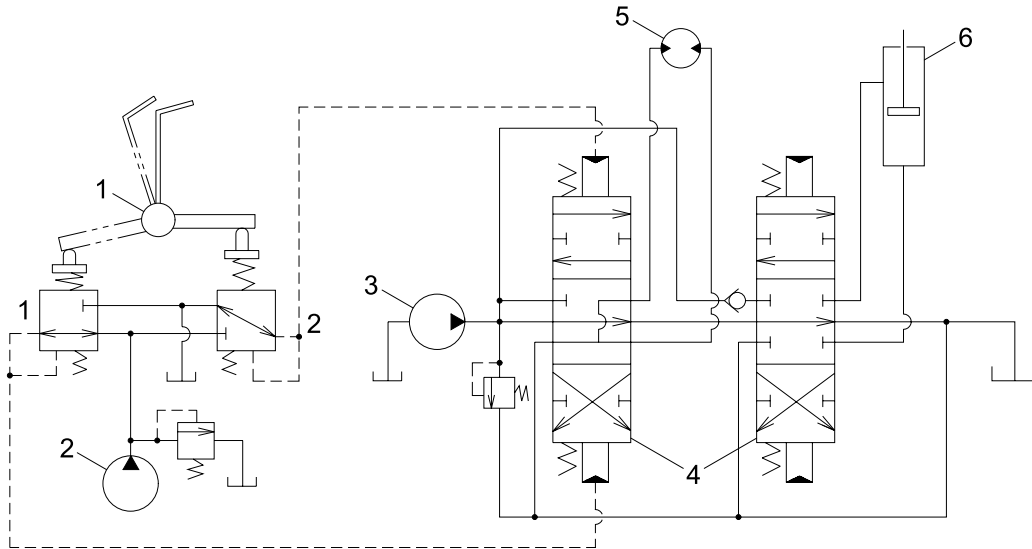
The spring (10) works on the casing (1) and spring seat (7) and tries to return the push rod (14) to the zero-displacement position irrespective of the output pressure, securing its resetting to the center position.

This also has the effect of a reaction spring to give appropriate control feeling to the operator.

3) OPERATION

The operation of the pilot valve will be described on the basis of the hydraulic circuit diagram shown below and the attached operation explanation drawing.

The diagram shown below is the typical application example of the pilot valve.



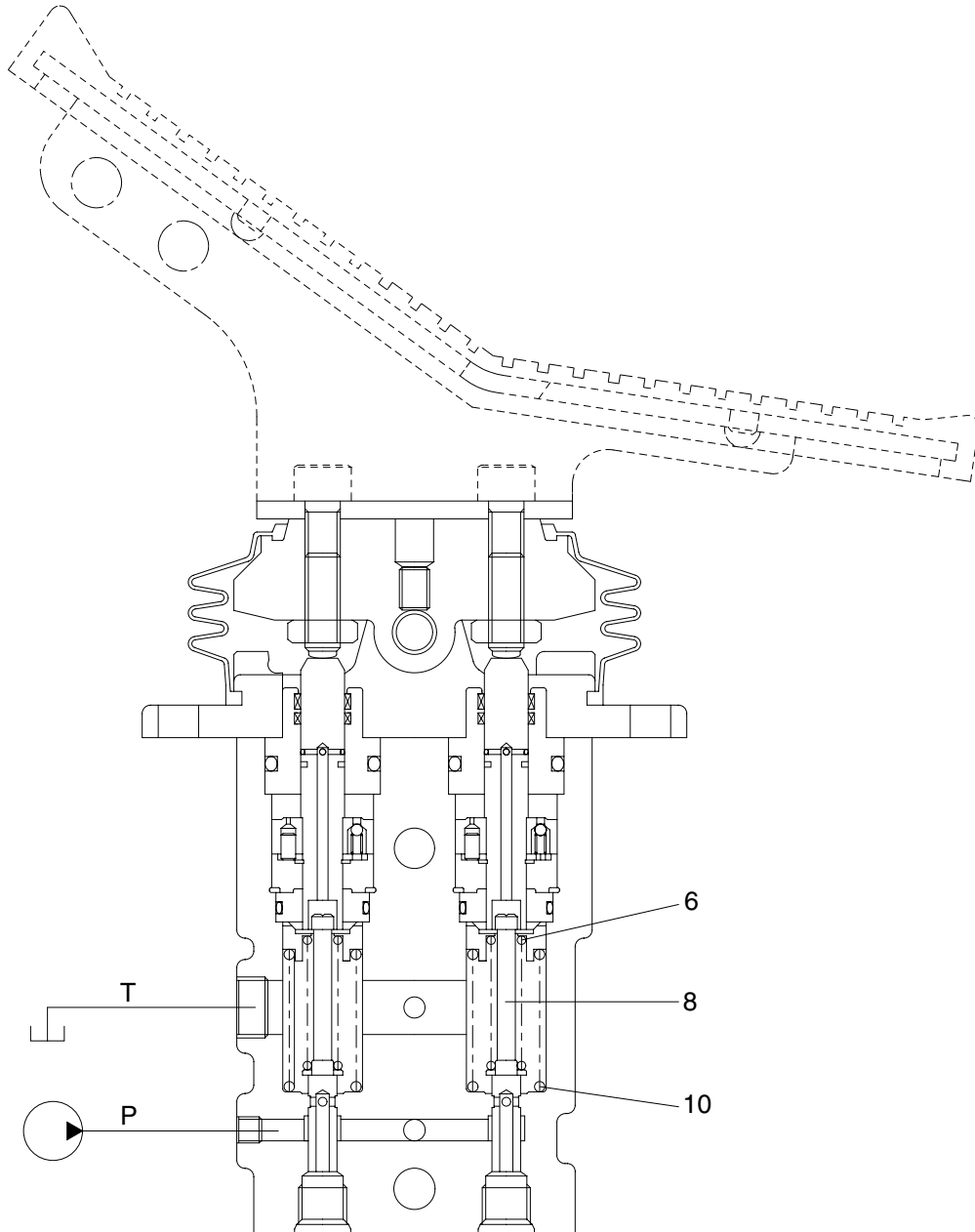
36072SF01

1 Pilot valve
2 Pilot pump

3 Main pump
4 Main control valve

5 Hydraulic motor
6 Hydraulic cylinder

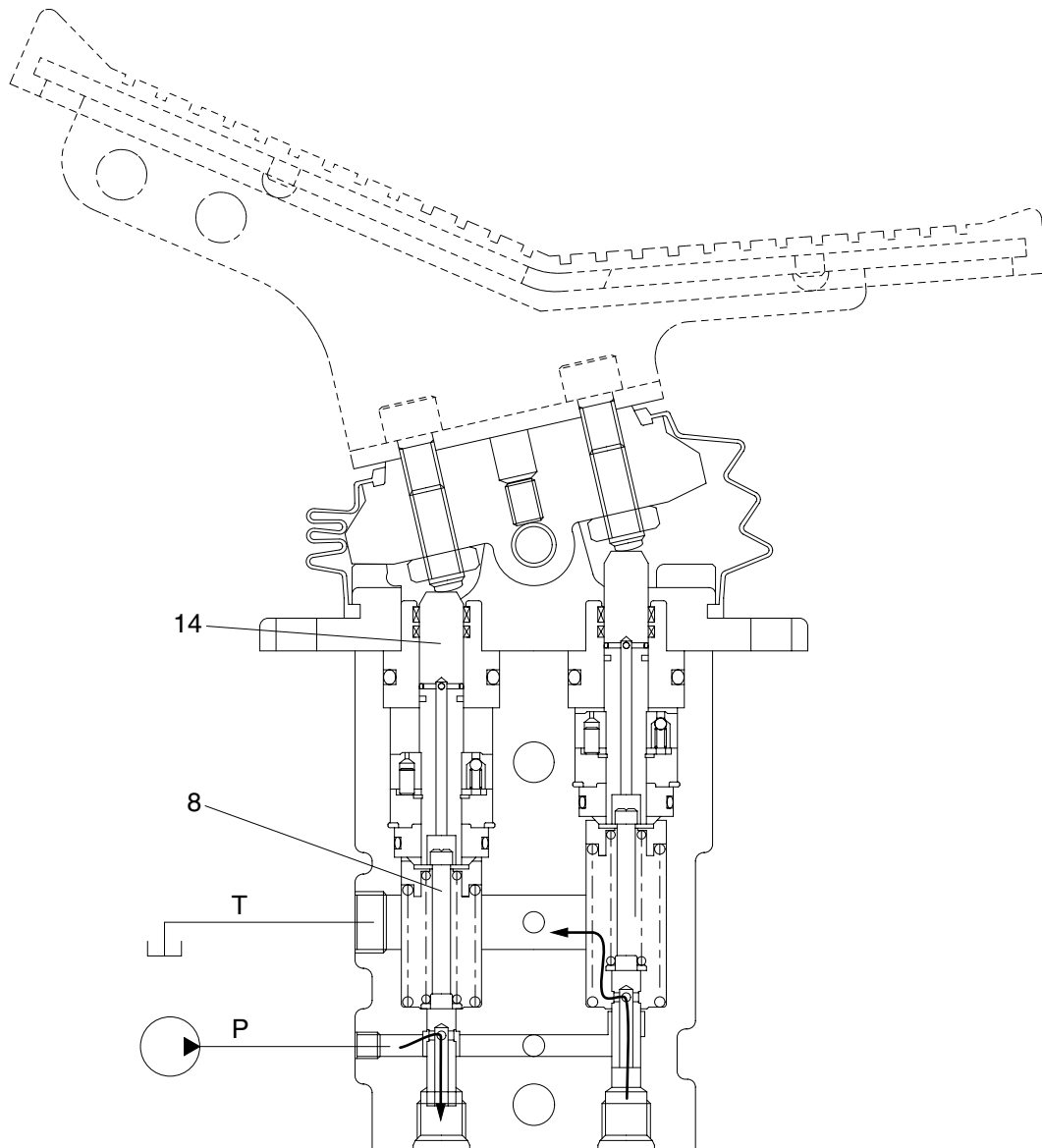
(1) Case where pedal is in neutral position



21092RP03

The force of the spring (6) that determines the output pressure of the pilot valve is not applied to the spool (8). Therefore, the spool is pushed up by the spring (10) to the position of port 2 in the operation explanation drawing. Then, since the output port is connected to tank port T only, the output port pressure becomes equal to tank pressure.

(2) Case where pedal is tilted



21092RP04

When the push rod (14) is stroked, the spool (8) moves downwards.

Then port P is connected with port 1, and the oil supplied from the pilot pump flows through port 1 to generate the pressure.

When the pressure at port 1 increases to the value corresponding to the spring force set by tilting the handle, the hydraulic pressure force balances with the spring force. If the pressure at port 1 increases higher than the set pressure, port P is disconnected from port 1 and port T is connected with port 1. If it decreases lower than the set pressure, port P is connected with port 1 and port T is disconnected from port 1.

In this manner the secondary pressure is kept at the constant value.

Besides, in some type, when the handle is tilted more than a certain angle, the upper end of the spool contacts with inside bottom of the push rod and the output pressure is left to be connected with port P.