

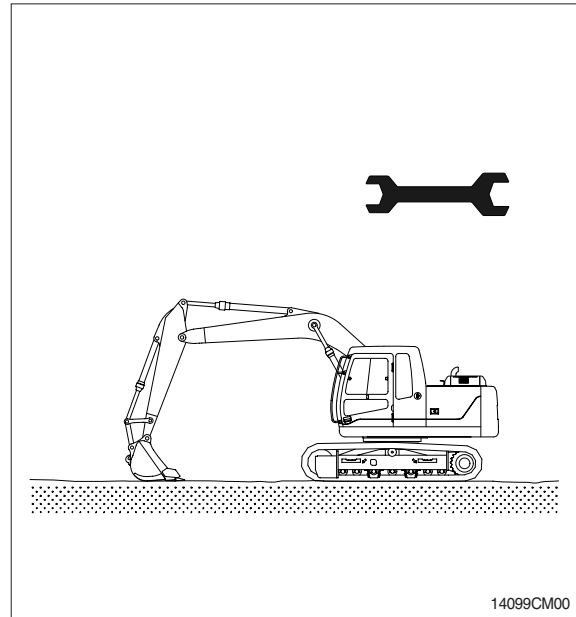
SECTION 9 COMPONENT MOUNTING TORQUE

Group 1	Introduction guide	9-1
Group 2	Engine system	9-2
Group 3	Electric system	9-4
Group 4	Hydraulic system	9-6
Group 5	Undercarriage	9-9
Group 6	Structure	9-10
Group 7	Work equipment	9-14

SECTION 9 COMPONENT MOUNTING TORQUE

GROUP 1 INTRODUCTION GUIDE

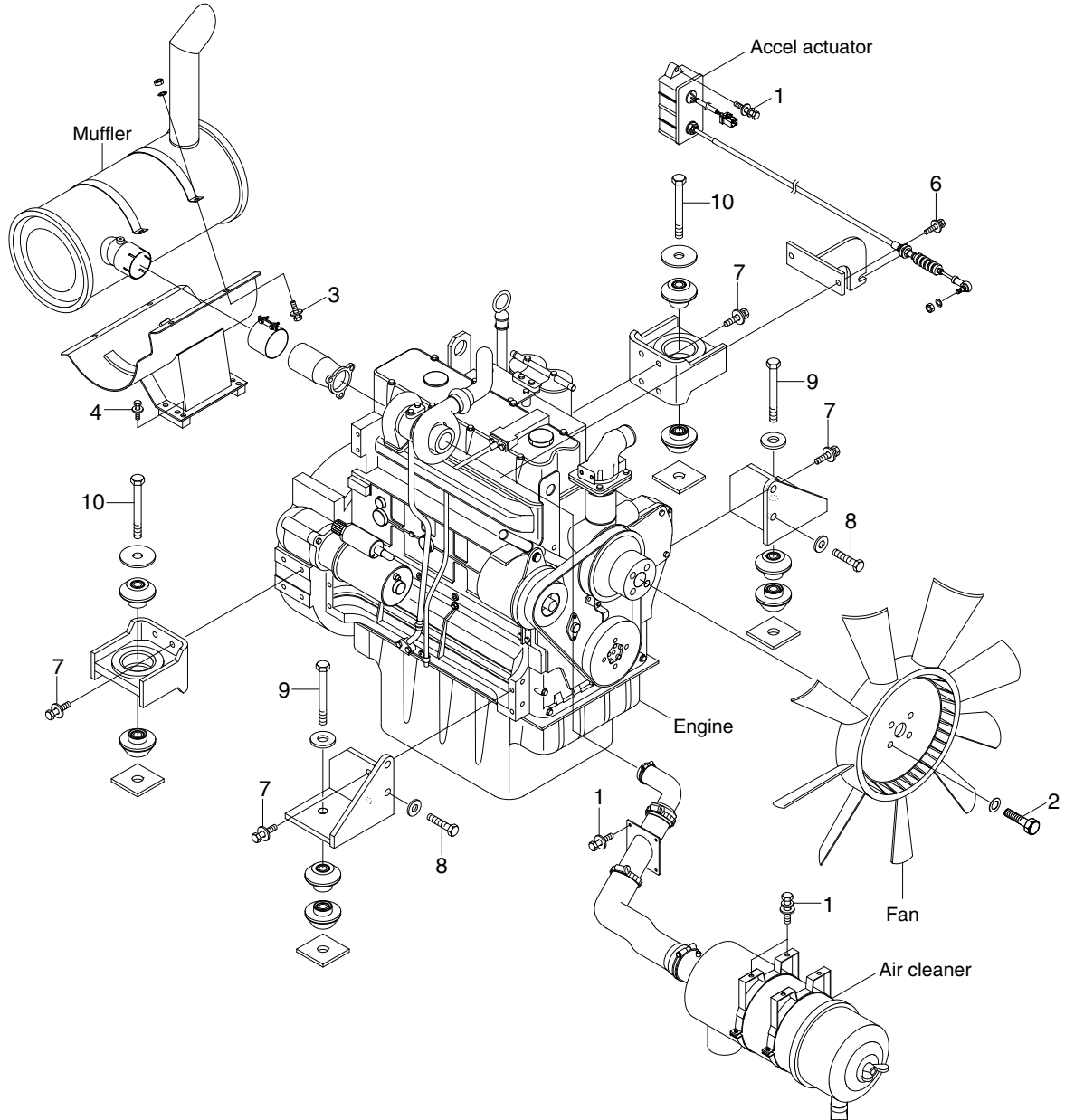
1. This section shows bolt specifications and standard torque values needed when mounting components to the machine.
 2. Use genuine Hyundai spare parts.
We expressly point out that Hyundai will not accept any responsibility for defects resulted from non-genuine parts.
In such cases Hyundai cannot assume liability for any damage.
- ※ Only metric fasteners can be used and incorrect fasteners may result in machine damage or malfunction.
 - ※ Before installation, clean all the components with a non-corrosive cleaner. Bolts and threads must not be worn or damaged.



14099CM00

GROUP 2 ENGINE SYSTEM

1. ENGINE AND ACCESSORIES MOUNTING



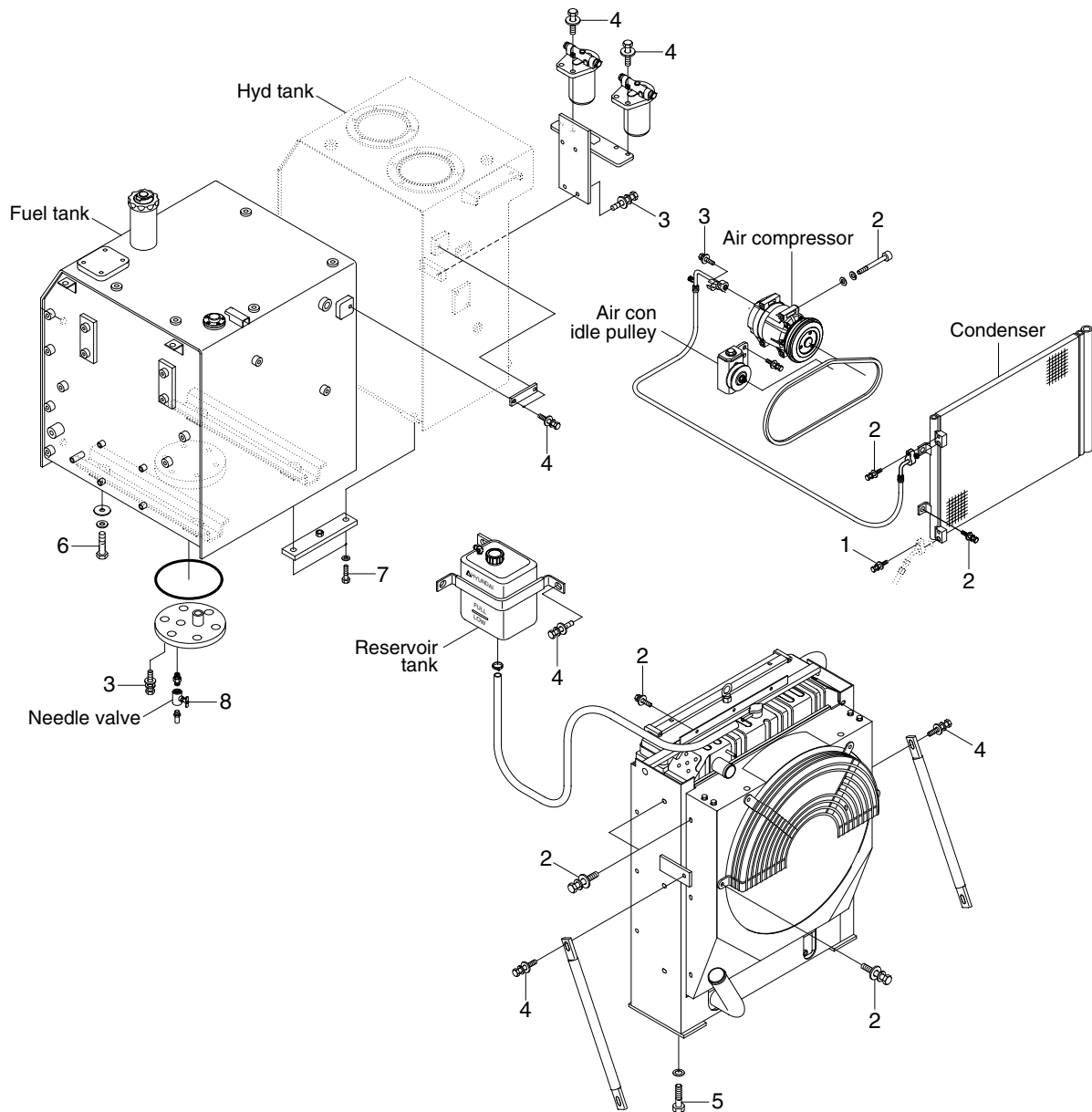
140V99CM01

· Tightening torque

Item	Size	kgf · m	lbf · ft
1	M 8×1.25	2.5±0.5	18.1±3.6
2	M10×1.5	4.4±0.5	31.8±3.6
3	M10×1.5	5.0±1.0	36.2±7.2
4	M10×1.5	6.9±1.4	49.9±10.1
5	M10×1.5	8.27±1.7	59.8±12.3

Item	Size	kgf · m	lbf · ft
6	M12×1.75	12.8±3.0	92.6±21.7
7	M12×1.75	10.0±0.5	72.3±3.6
8	M14×2.0	18±0.5	130±3.6
9	M16×2.0	30±3.5	217±25.3
10	M20×2.5	55±3.5	398±25.3

2. COOLING SYSTEM AND FUEL TANK MOUNTING



140V99CM02

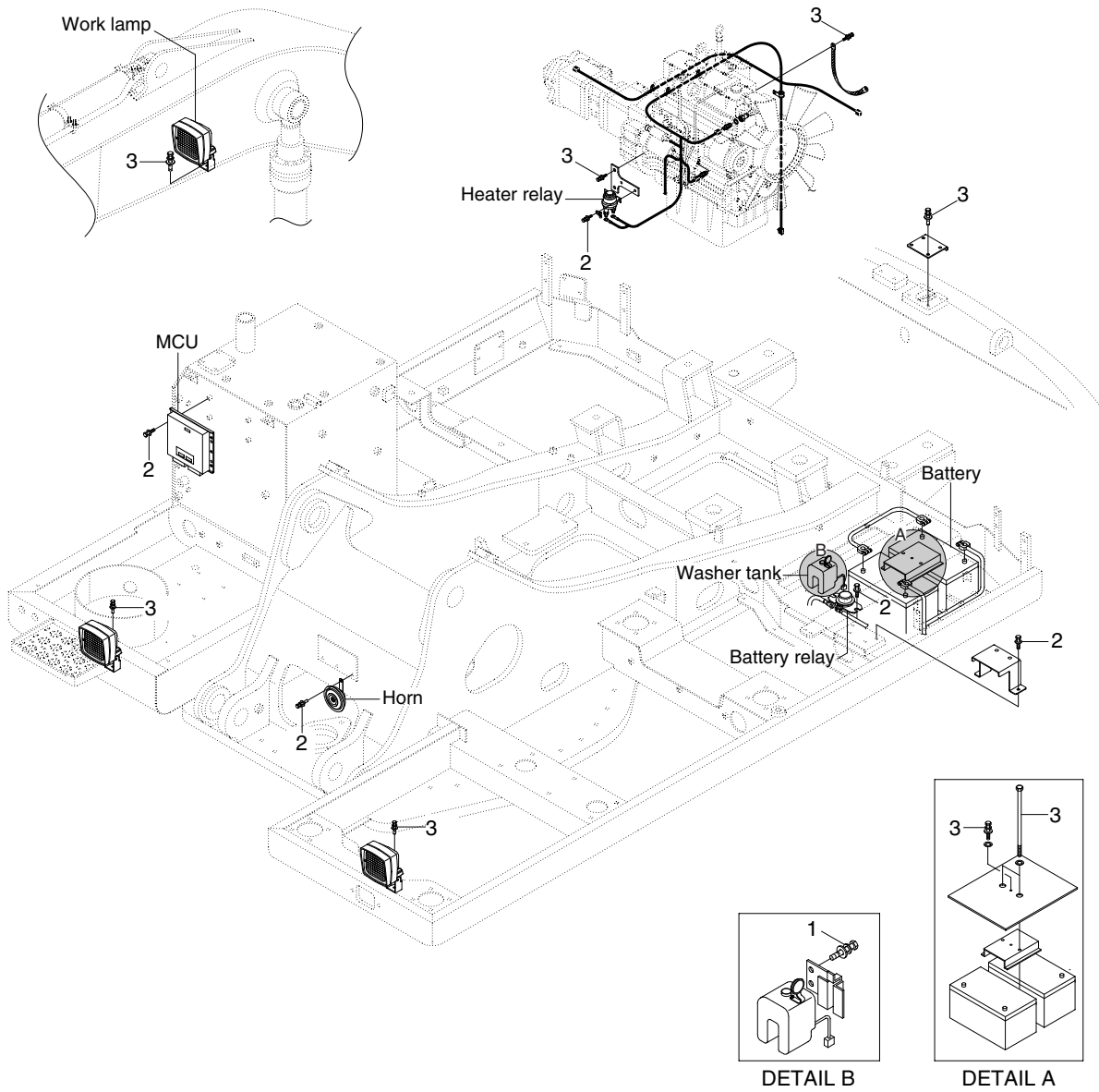
· Tightening torque

Item	Size	kgf · m	lbf · ft
1	M 6×1.0	1.05±0.2	7.6±1.45
2	M 8×1.25	2.5±0.5	18.1±3.6
3	M10×1.5	6.9±1.4	49.9±10.1
4	M12×1.75	12.8±3.0	92.6±21.7

Item	Size	kgf · m	lbf · ft
5	M16×2.0	29.7±4.5	215±32.5
6	M20×2.5	46±5.1	333±36.9
7	M20×2.5	57.9±8.7	419±62.9
8	-	2.3±0.6	16.6±4.3

GROUP 3 ELECTRIC SYSTEM

1. ELECTRIC COMPONENTS MOUNTING 1



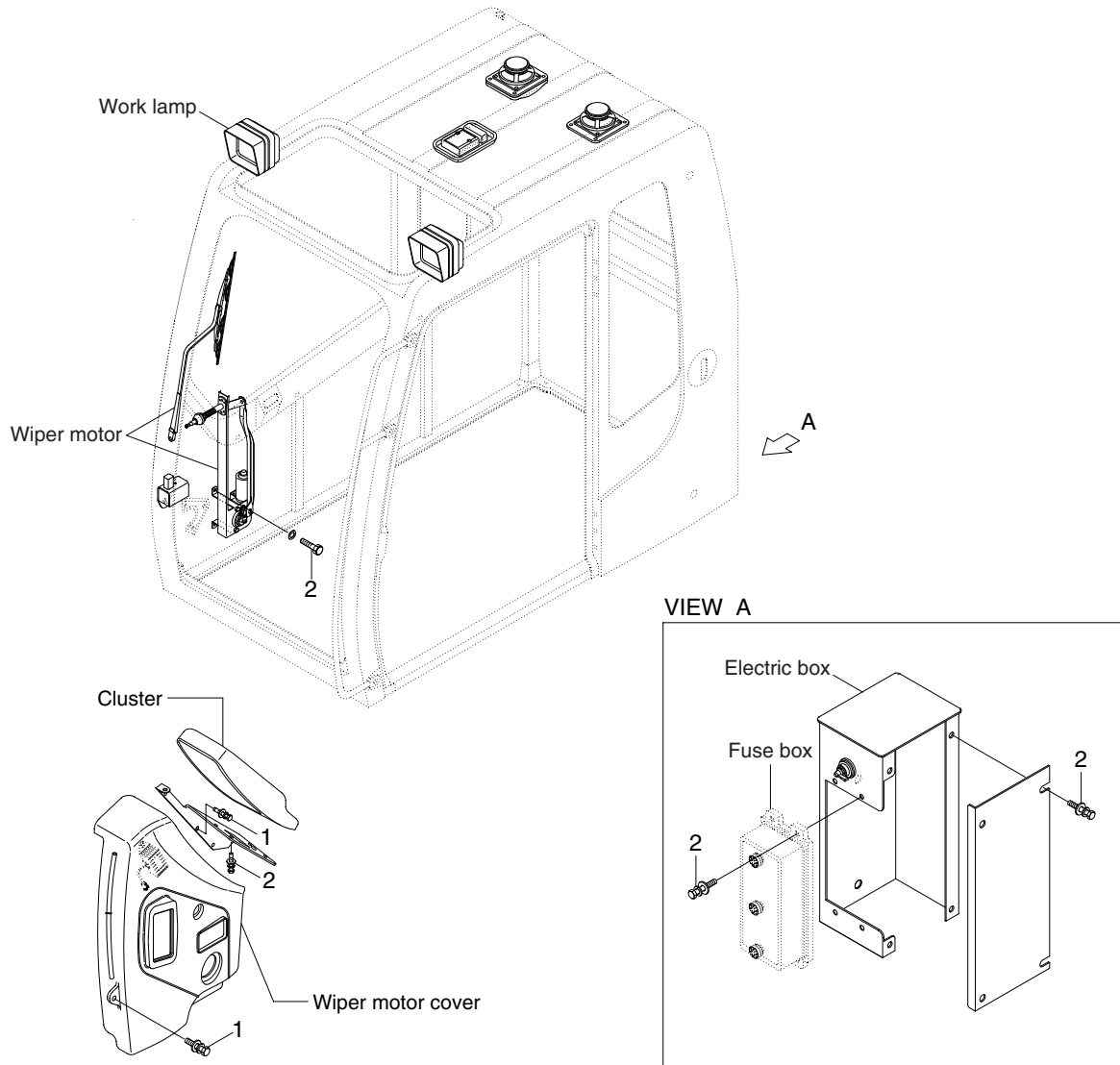
140V99CM03

· Tightening torque

Item	Size	kgf · m	lbf · ft
1	M 6×1.0	1.05±0.2	7.6±1.45
2	M 8×1.25	2.5±0.5	18.1±3.6

Item	Size	kgf · m	lbf · ft
3	M10×1.5	6.9±1.4	49.9±10.1

2. ELECTRIC COMPONENTS MOUNTING 2



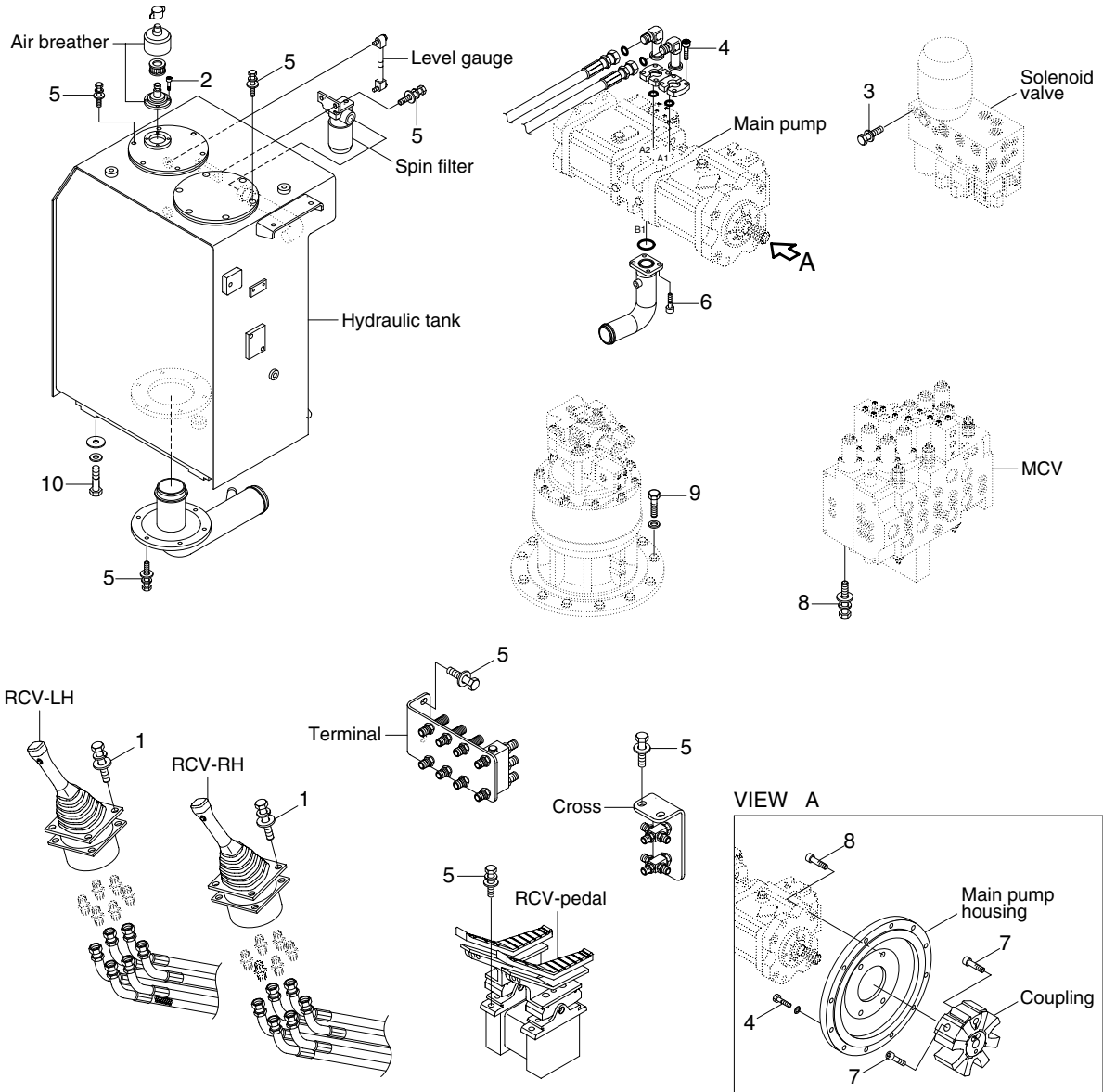
· Tightening torque

Item	Size	kgf · m	lbf · ft
1	M 6×1.0	1.05±0.2	7.6±1.45
2	M 8×1.25	2.5±0.5	18.1±3.6

140V99CM04

GROUP 4 HYDRAULIC SYSTEM

1. HYDRAULIC COMPONENTS MOUNTING 1



140V99CM05

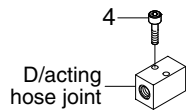
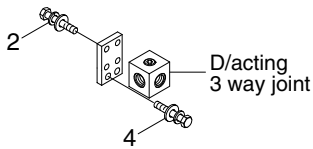
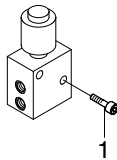
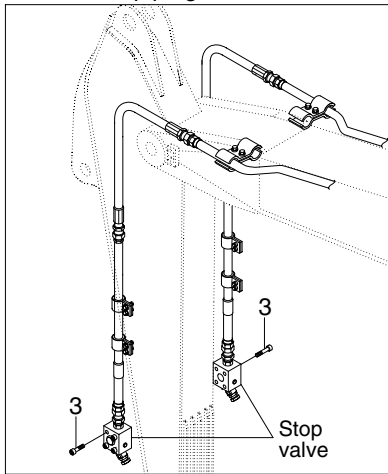
· Tightening torque

Item	Size	kgf · m	lbf · ft
1	M 6×1.0	1.05±0.2	7.6±1.45
2	M 6×1.0	1.44±0.3	10.4±2.2
3	M 8×1.25	2.5±0.5	18.1±3.6
4	M10×1.5	6.0±0.3	43.4±2.2
5	M10×1.5	6.9±1.4	49.9±10.1

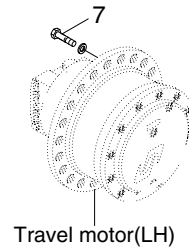
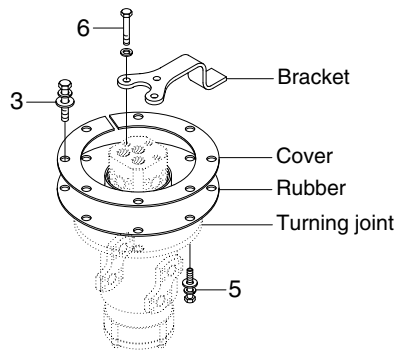
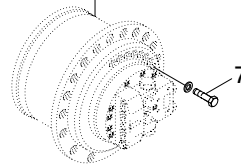
Item	Size	kgf · m	lbf · ft
6	M12×1.75	12.2±1.3	88.2±9.4
7	M16×2.0	22±1.0	159±7.2
8	M16×2.0	22.5±0.5	163±3.6
9	M16×2.0	29.6±3.2	214±23.1
10	M20×2.5	46±5.1	333±36.9

2. HYDRAULIC COMPONENTS MOUNTING 2

Attachment piping



Travel motor(RH)



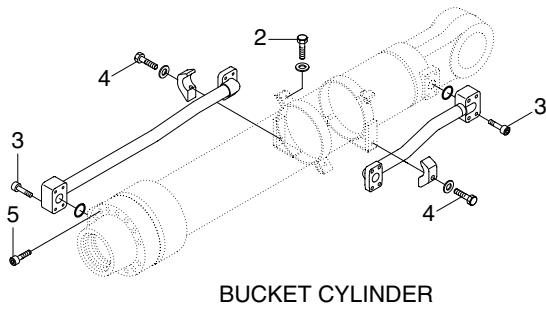
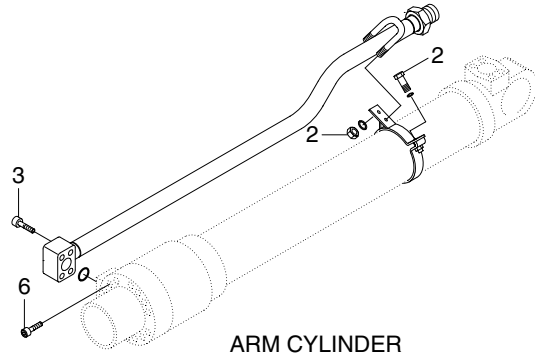
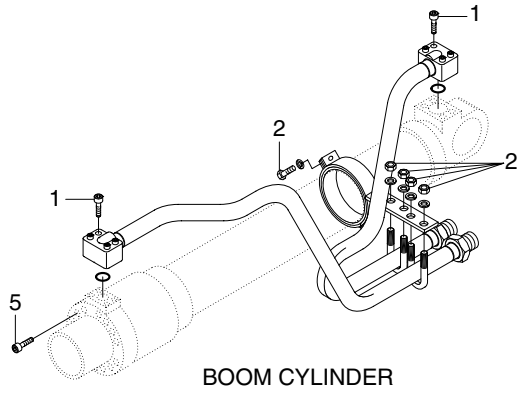
140V99CM06

· Tightening torque

Item	Size	kgf · m	lbf · ft
1	M 8×1.25	3.43±0.7	24.8±5.1
2	M 8×1.25	4.05±0.8	29.3±5.8
3	M10×1.5	6.9±1.4	49.9±10.1
4	M12×1.75	12.8±30	92.6±21.7

Item	Size	kgf · m	lbf · ft
5	M12×1.75	12.3±1.3	88.9±9.4
6	M14×2.0	19.6±2.9	142±21.0
7	M16×2.0	25.7±4.0	186±28.9

3. HYDRAULIC COMPONENTS MOUNTING 3



140V99CM07

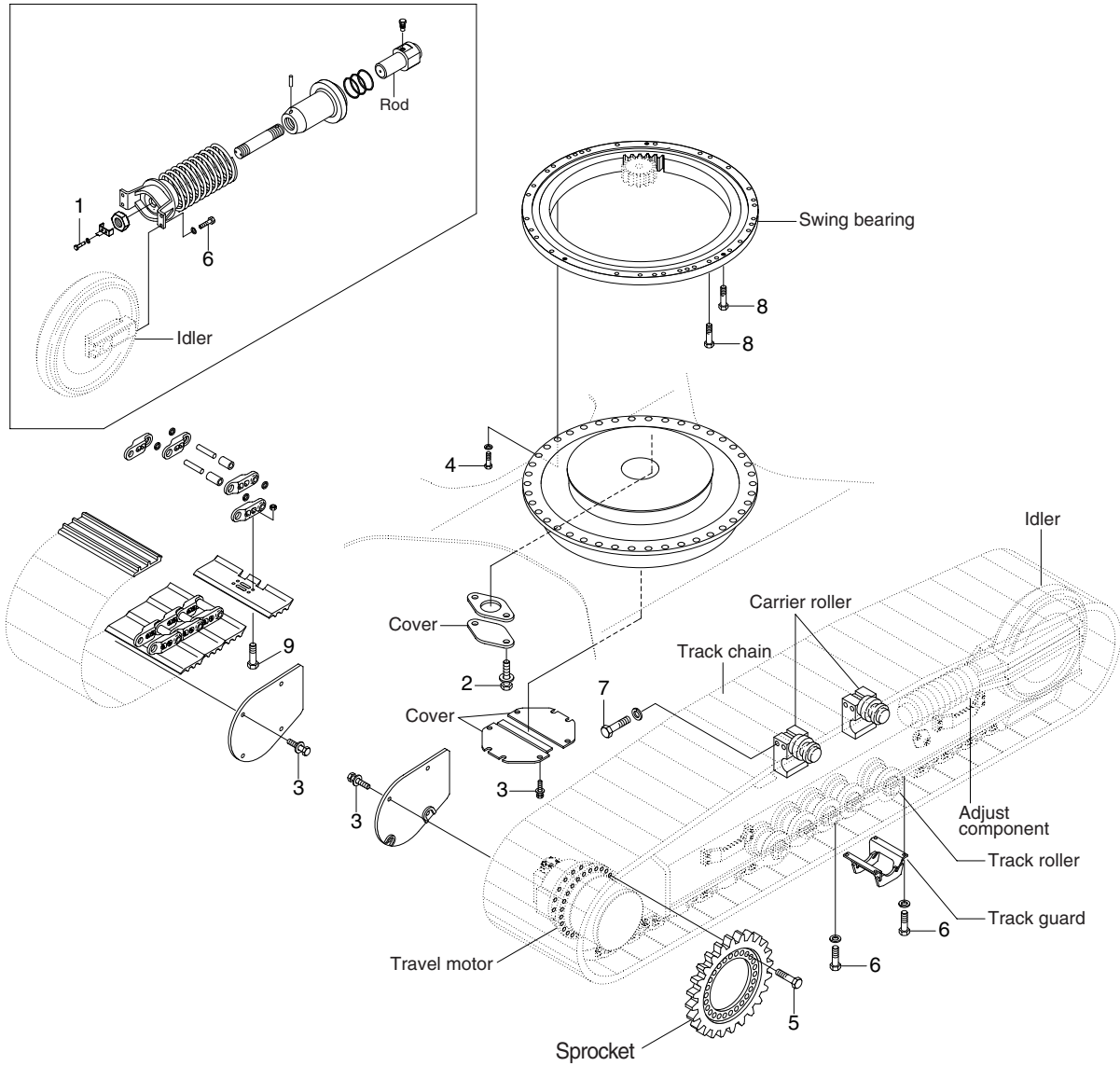
· Tightening torque

Item	Size	kgf · m	lbf · ft
1	M 8×1.25	2.7±0.3	19.5±2.2
2	M10×1.5	3.2±0.3	23.1±2.2
3	M10×1.5	5.4±0.5	39.1±3.6

Item	Size	kgf · m	lbf · ft
4	M12×1.75	9.3±1.9	67.3±13.7
5	M14×2.0	15±2.0	108±14.5
6	M16×2.0	23±2.0	166±14.5

GROUP 5 UNDERCARRIAGE

ADJUST COMPONENT



140V99CM08

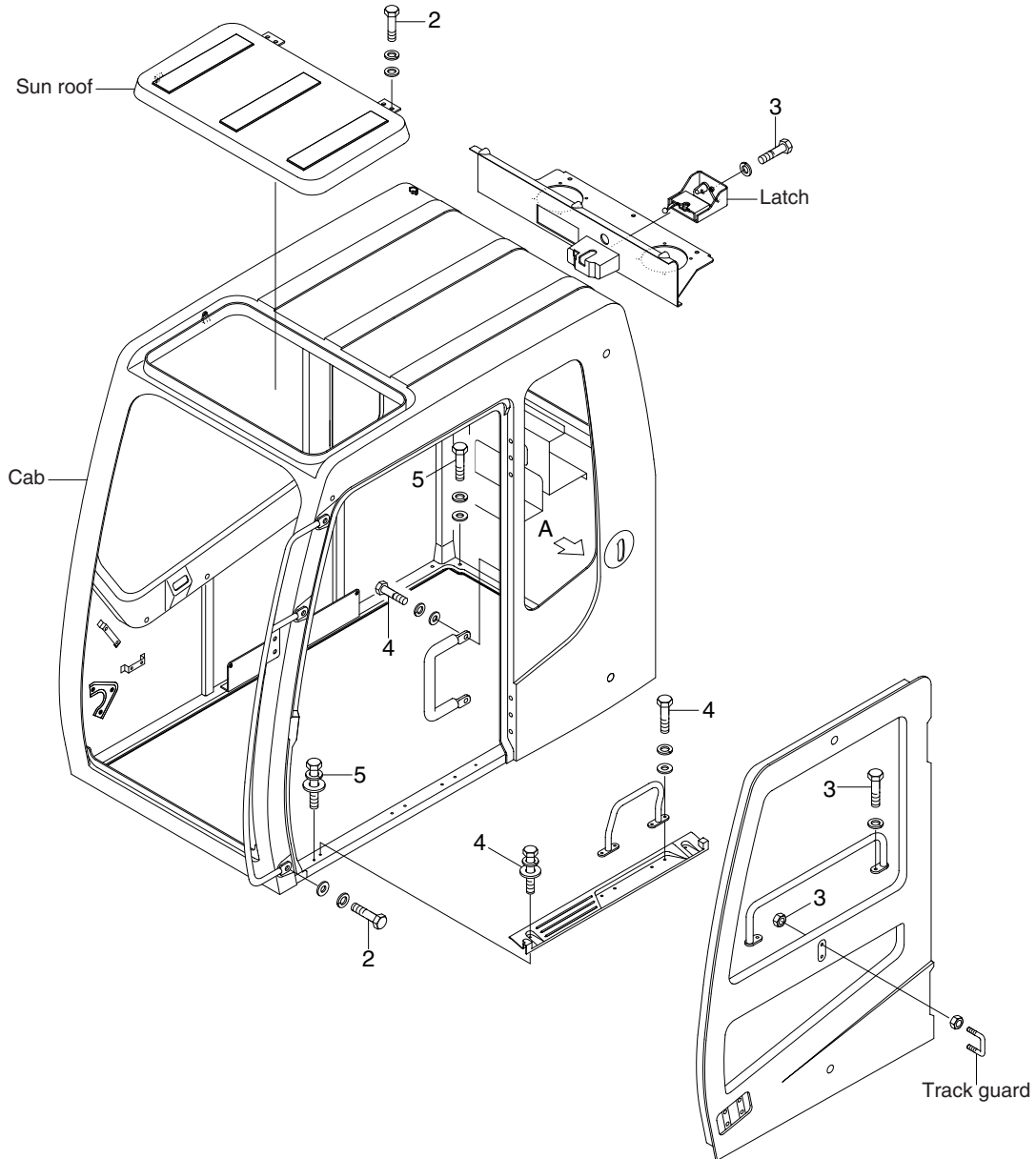
• Tightening torque

Item	Size	kgf · m	lbf · ft
1	M 8×1.0	3.74±0.7	27.1±5.1
2	M10×1.5	6.9±1.4	49.9±10.1
3	M12×1.75	12.8±3.0	92.6±21.7
4	M16×1.5	31.3±3.2	226±23.1
5	M16×2.0	23±2.5	166±18.1

Item	Size	kgf · m	lbf · ft
6	M16×2.0	29.6±3.2	214±23.1
7	M16×2.0	29.7±4.4	215±31.8
8	M18×2.5	41.3±4.5	299±32.5
9	5/8" UNF	42±4.0	304±29

GROUP 6 STRUCTURE

1. CAB AND ACCESSORIES MOUNTING



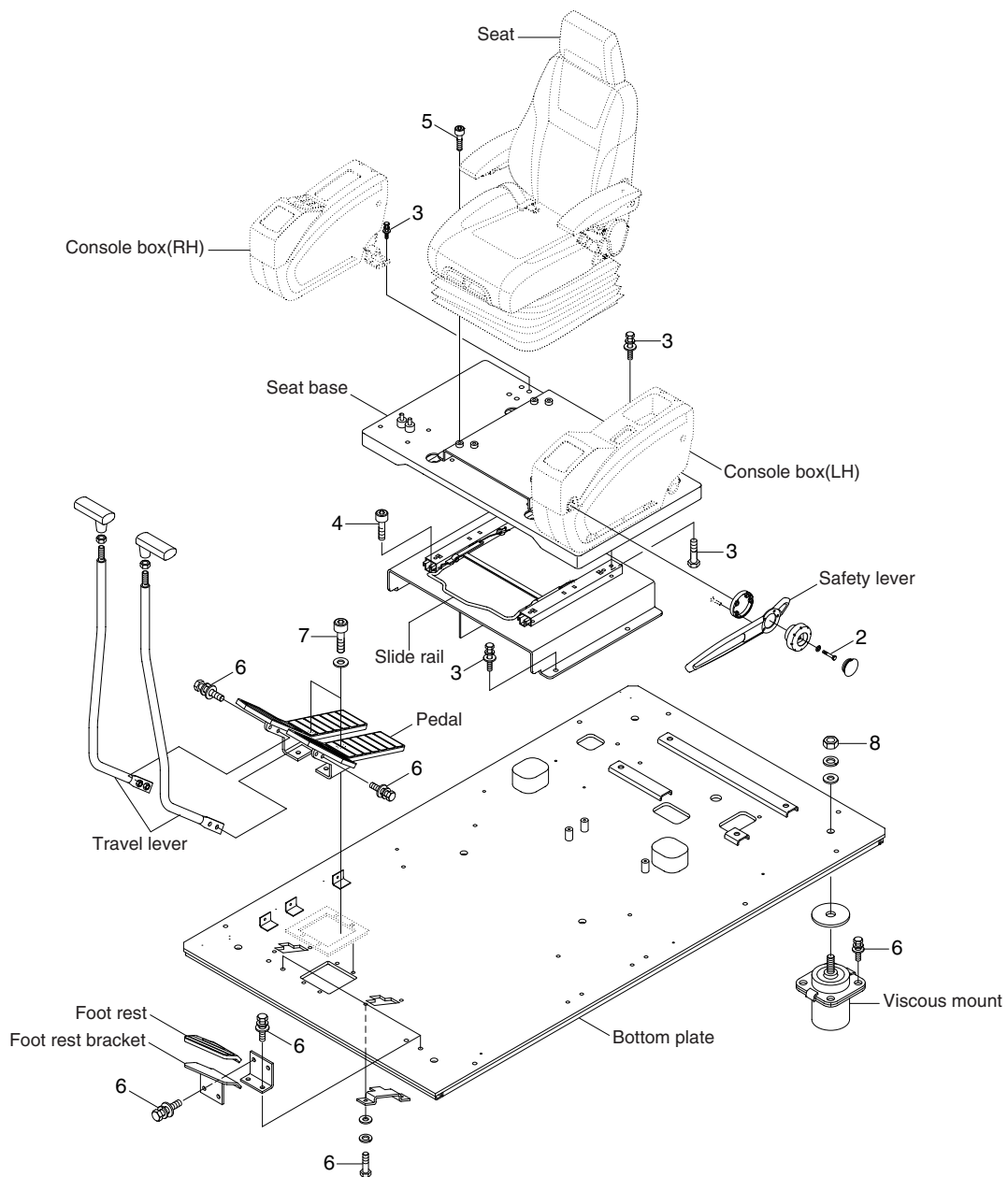
140V99CM09

• Tightening torque

Item	Size	kgf · m	lbf · ft
1	M 6×1.0	1.44±0.3	10.4±2.2
2	M 8×1.25	2.5±0.5	18.1±3.6
3	M10×1.5	4.7±0.9	34±6.5

Item	Size	kgf · m	lbf · ft
4	M10×1.5	6.9±1.4	49.9±10.1
5	M12×1.75	12.8±3.0	92.6±21.7

2. CAB INTERIOR MOUNTING



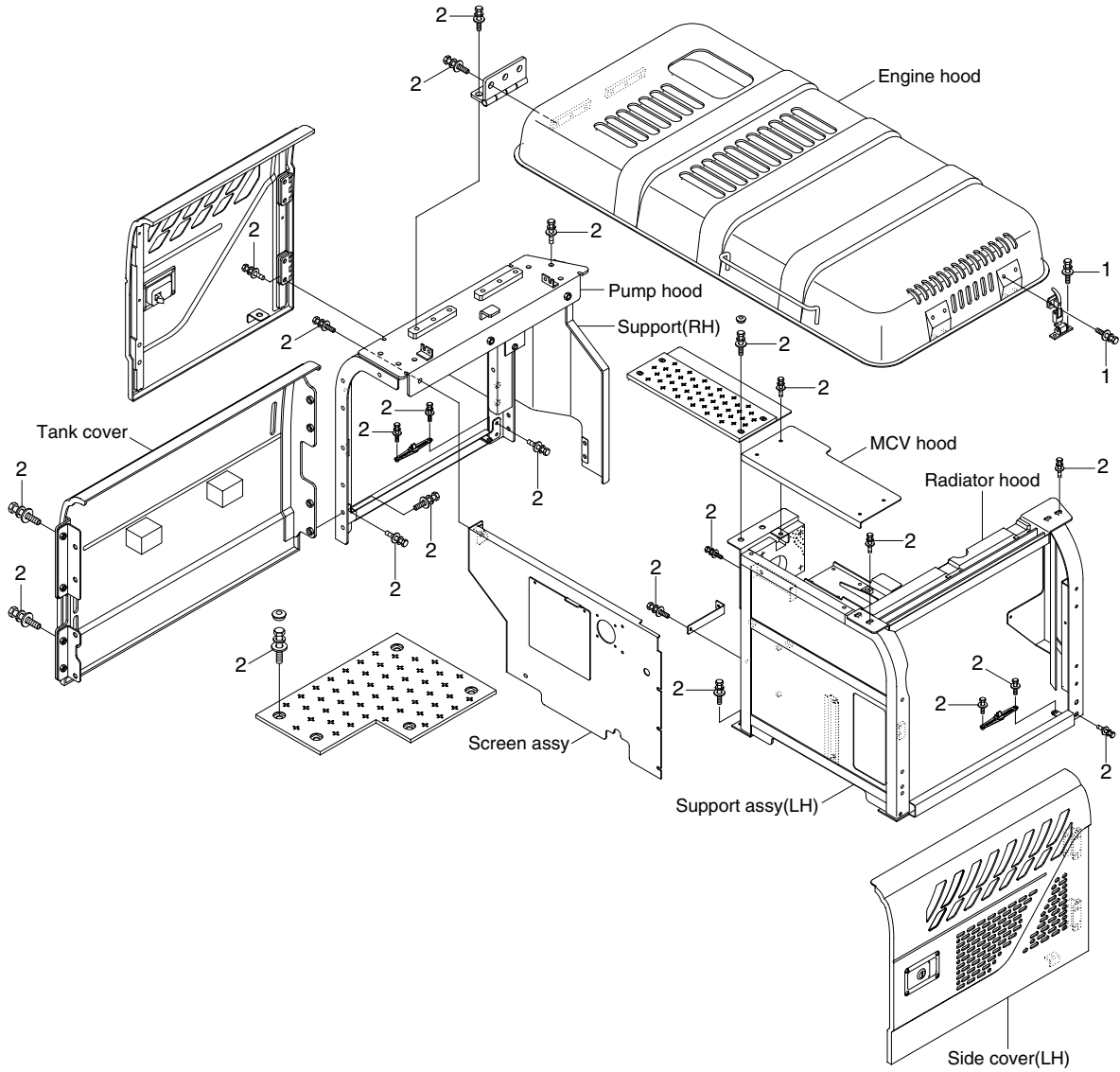
140V99CM10

· Tightening torque

Item	Size	kgf · m	lbf · ft
2	M 6×1.0	1.05±0.2	7.6±1.4
3	M 8×1.25	2.5±0.5	18.1±3.6
4	M 8×1.25	3.43±0.7	24.8±5.1
5	M 8×1.25	4.05±0.8	29.3±5.8

Item	Size	kgf · m	lbf · ft
6	M10×1.5	6.9±1.4	49.9±10.1
7	M10×1.5	8.3±1.7	60.0±12.3
8	M16×2.0	29.7±4.5	215±32.5
-	-	-	-

3. COWLING MOUNTING

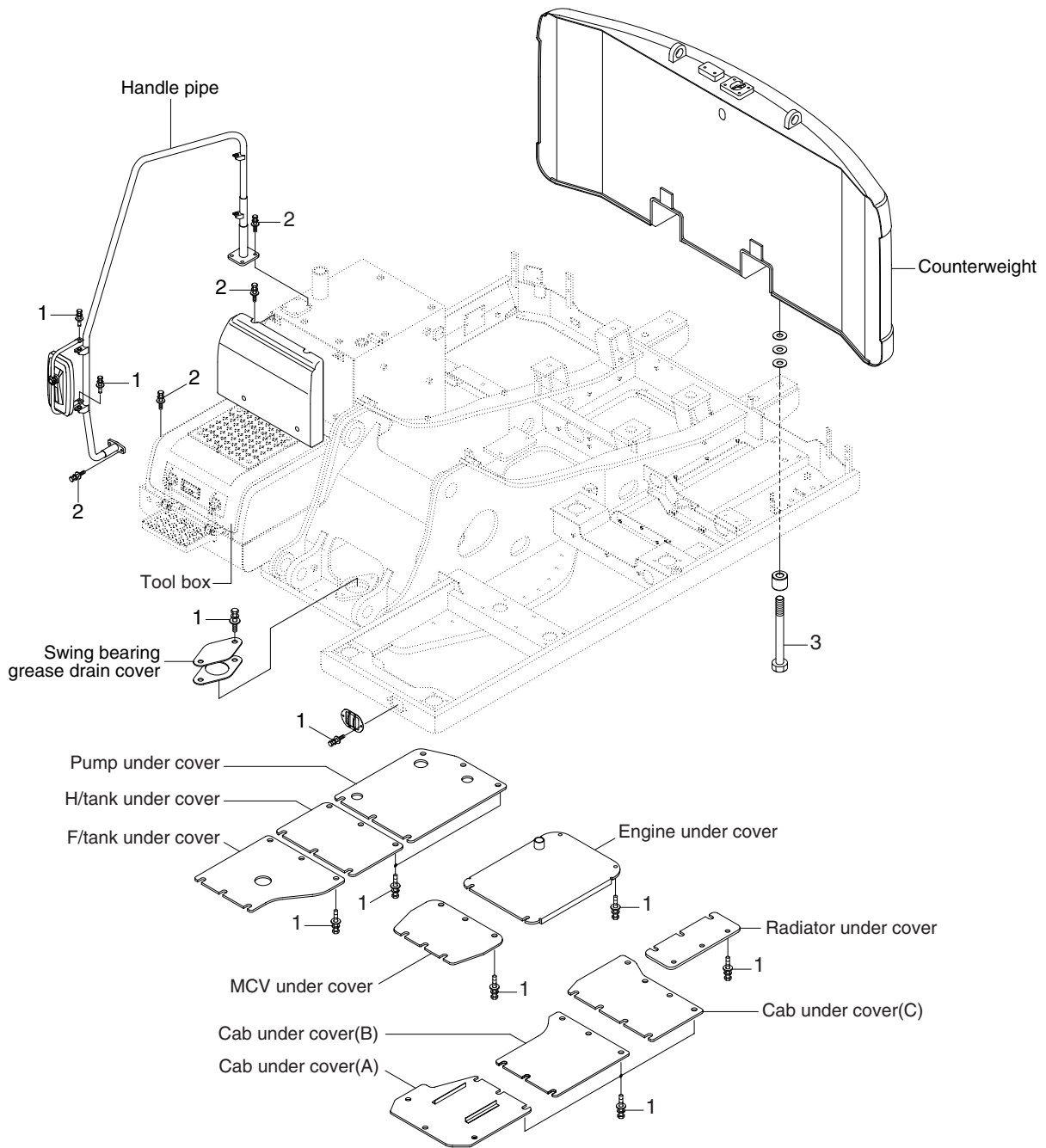


140V99CM11

· Tightening torque

Item	Size	kgf · m	lbf · ft
1	M 8×1.25	1.05±0.2	7.6±1.4
2	M12×1.75	12.8±3.0	92.6±21.7

4. COUNTERWEIGHT AND COVERS MOUNTING

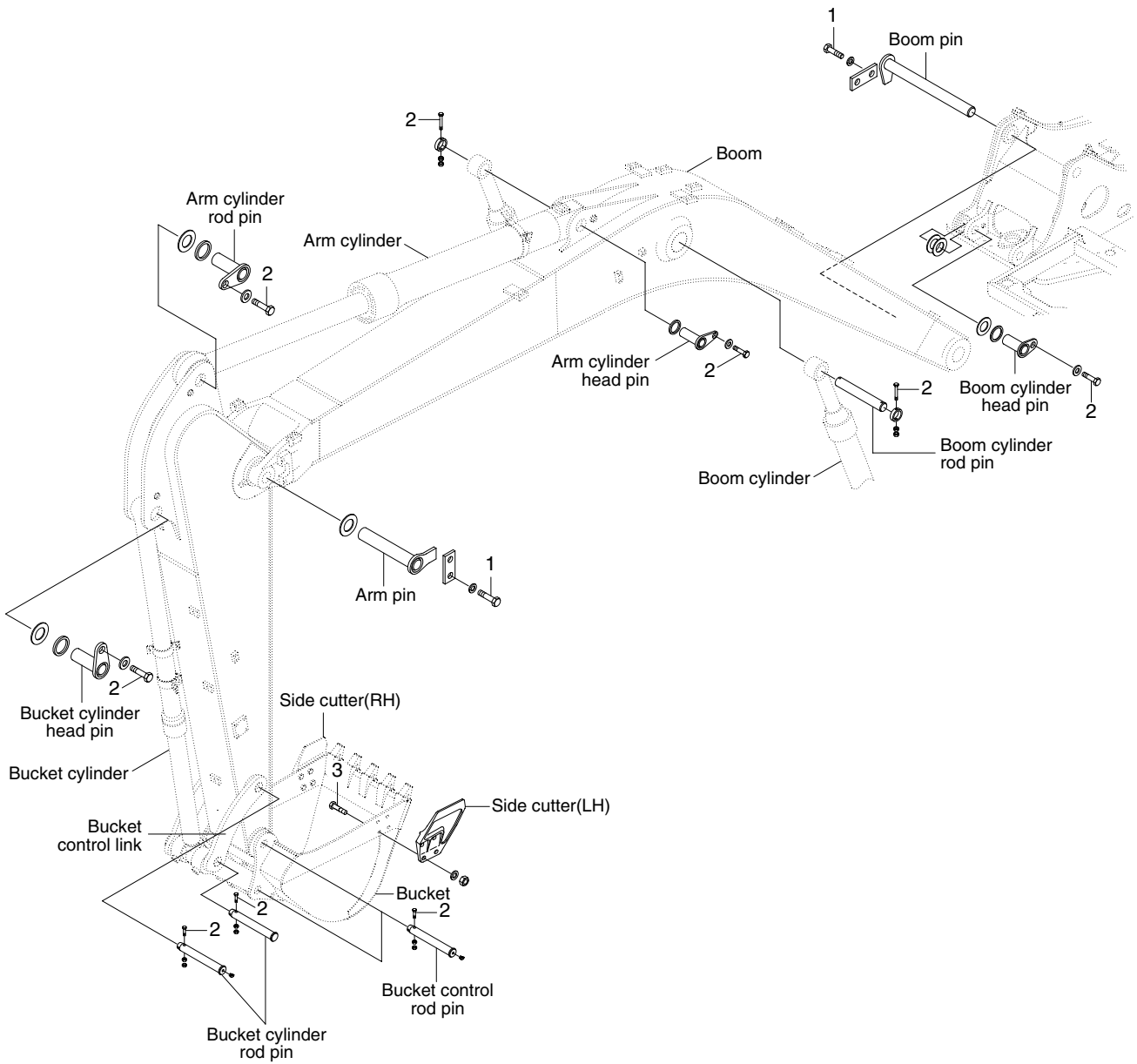


140V99CM12

· Tightening torque

Item	Size	kgf · m	lbf · ft
1	M10×1.5	6.9±1.4	49.9±10.1
2	M12×1.75	12.8±3.0	92.6±21.7
3	M27×3.0	140±15	1013±108

GROUP 7 WORK EQUIPMENT



140V99CM13

· Tightening torque

Item	Size	kgf · m	lbf · ft
1	M12×1.75	12.8±3.0	92.6±21.7
2	M16×2.0	29.7±4.5	215±32.5
3	M20×2.5	57.9±8.7	419±62.9